



US00D862632S

(12) **United States Design Patent**
Enzinger

(10) **Patent No.:** **US D862,632 S**
(45) **Date of Patent:** **** Oct. 8, 2019**

(54) **THROW LEVER FOR AN OPTICAL AIMING DEVICE**

(71) Applicant: **Leupold & Stevens, Inc.**, Beaverton, OR (US)
(72) Inventor: **Kyle Edward Enzinger**, Newberg, OR (US)
(73) Assignee: **Leupold & Stevens, Inc.**, Beaverton, OR (US)
(**) Term: **15 Years**
(21) Appl. No.: **29/589,626**

(22) Filed: **Jan. 3, 2017**
(51) **LOC (12) Cl.** **22-01**
(52) **U.S. Cl.**
USPC **D22/109**
(58) **Field of Classification Search**
USPC D22/100–111, 115–116, 119–120, 199;
D21/300, 301, 573–575
CPC . F41G 1/02; F41G 1/027; F41G 1/033; F41G 1/06; F41G 3/26; F41C 23/10; F41C 23/16; F41J 1/00
See application file for complete search history.

(56) **References Cited**

U.S. PATENT DOCUMENTS

D313,280 S *	12/1990	Rodenburgh	D25/113
D491,621 S *	6/2004	Sirkis	D22/108
8,485,841 B2 *	7/2013	Schrader	H04R 4/4827
				439/441
D695,586 S *	12/2013	Brown	D16/130
D704,145 S *	5/2014	Sasano	D13/154
D704,666 S *	5/2014	Sasano	D13/154
D720,302 S *	12/2014	Sasano	D13/154
D721,042 S *	1/2015	Sasano	D13/154

OTHER PUBLICATIONS

“Canis Latrans Scope Throw Lever” [online]. Canis Latrans. [Retrieved on May 9, 2019]. Retrieved from the Internet: <https://www.amazon.com/Canis-Latrans-Magnification-Adjustment-Switchview/dp/B07BQ2929D3>.

“SV-1 Switchview Throw Lever”, Vortex Optics, <http://www.vortexoptics.com/product/vortex-switchview-throw-lever-sv-1>, visited Jan. 4, 2017.
“Nightforce NXS Compact Scope Lever”, Brownells Inc., <http://www.brownells.com/optics-mounting/optic-accessories/scope-throw-levers/nightforce-nxs-compact-scope-levers-sku100007065-44321-98253.aspx>, visited Jan. 4, 2017.
“Nightforce Clamp-on Power Throw Lever for Non Enhanced Compacts”, Midway USA, <http://www.midwayusa.com/product/228318/nightforce-clamp-on-power-throw-lever-for-non-enhanced-compacts>, visited Jan. 4, 2017.
“Mark 6 Throw Lever”, Leupold & Stevens, Inc., <https://www.leupold.com/tactical/pro-gear/tools-and-accessories/mark-6-throw-lever/>, visited Jan. 4, 2017.

* cited by examiner

Primary Examiner — Khawaja Anwar
Assistant Examiner — Mojtaba Tehrani
(74) *Attorney, Agent, or Firm* — Stoel Rives LLP

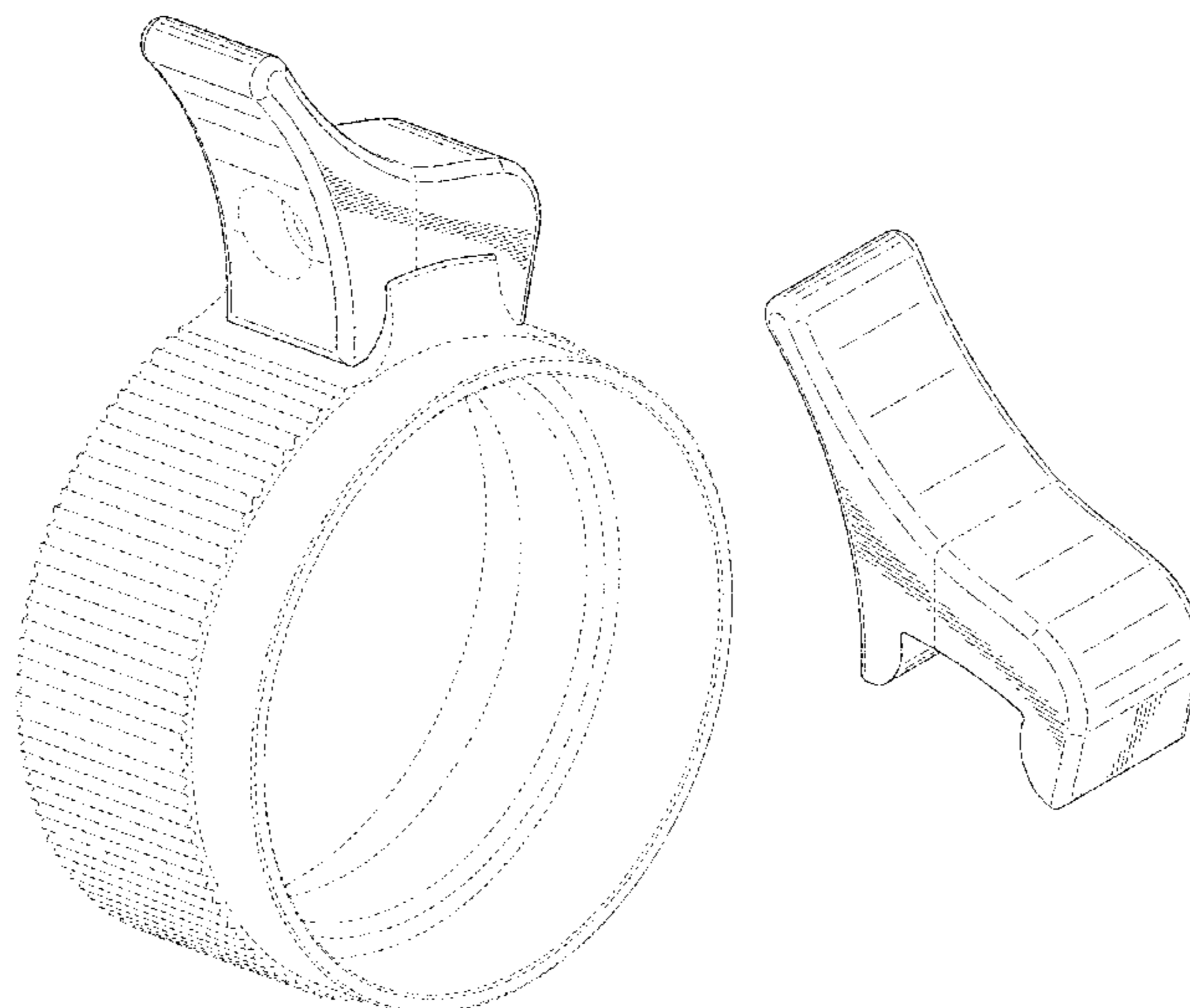
(57) **CLAIM**

I claim the ornamental design for a throw lever for an optical aiming device, as shown and described.

DESCRIPTION

FIG. 1 is a rear-left isometric view of a throw lever for an optical aiming device, showing my new design;
FIG. 2 is a rear-right isometric view thereof;
FIG. 3 is a rear elevation view thereof; the front elevation view being a mirror image;
FIG. 4 is a left side view thereof;
FIG. 5 is a right side view thereof;
FIG. 6 is a top plan view thereof; and,
FIG. 7 is a bottom plan view thereof.
The broken line in the drawings depicts unclaimed portion of the throw lever and unclaimed environment only, and forms no part of the claimed design.

1 Claim, 3 Drawing Sheets



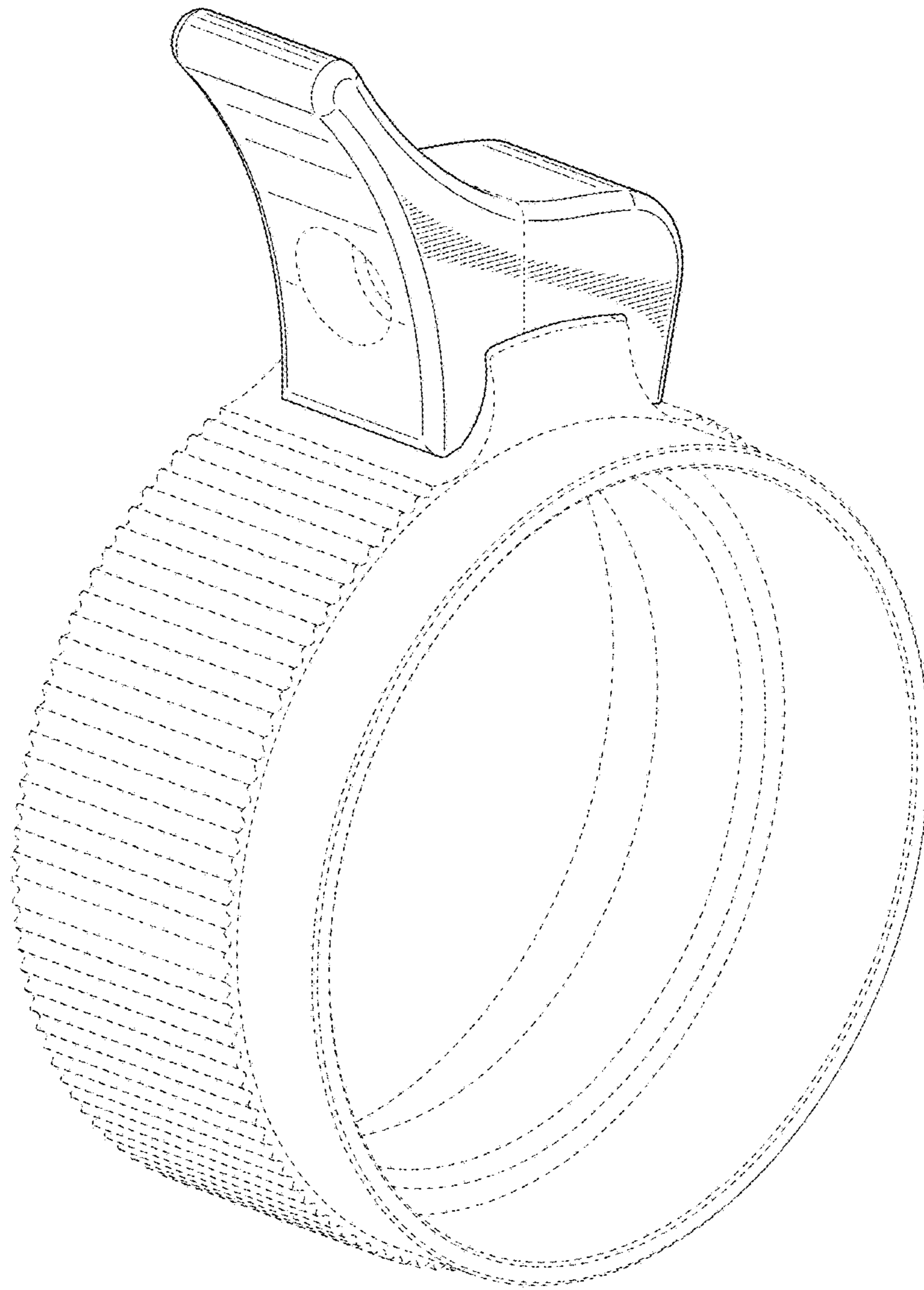


FIG. 1

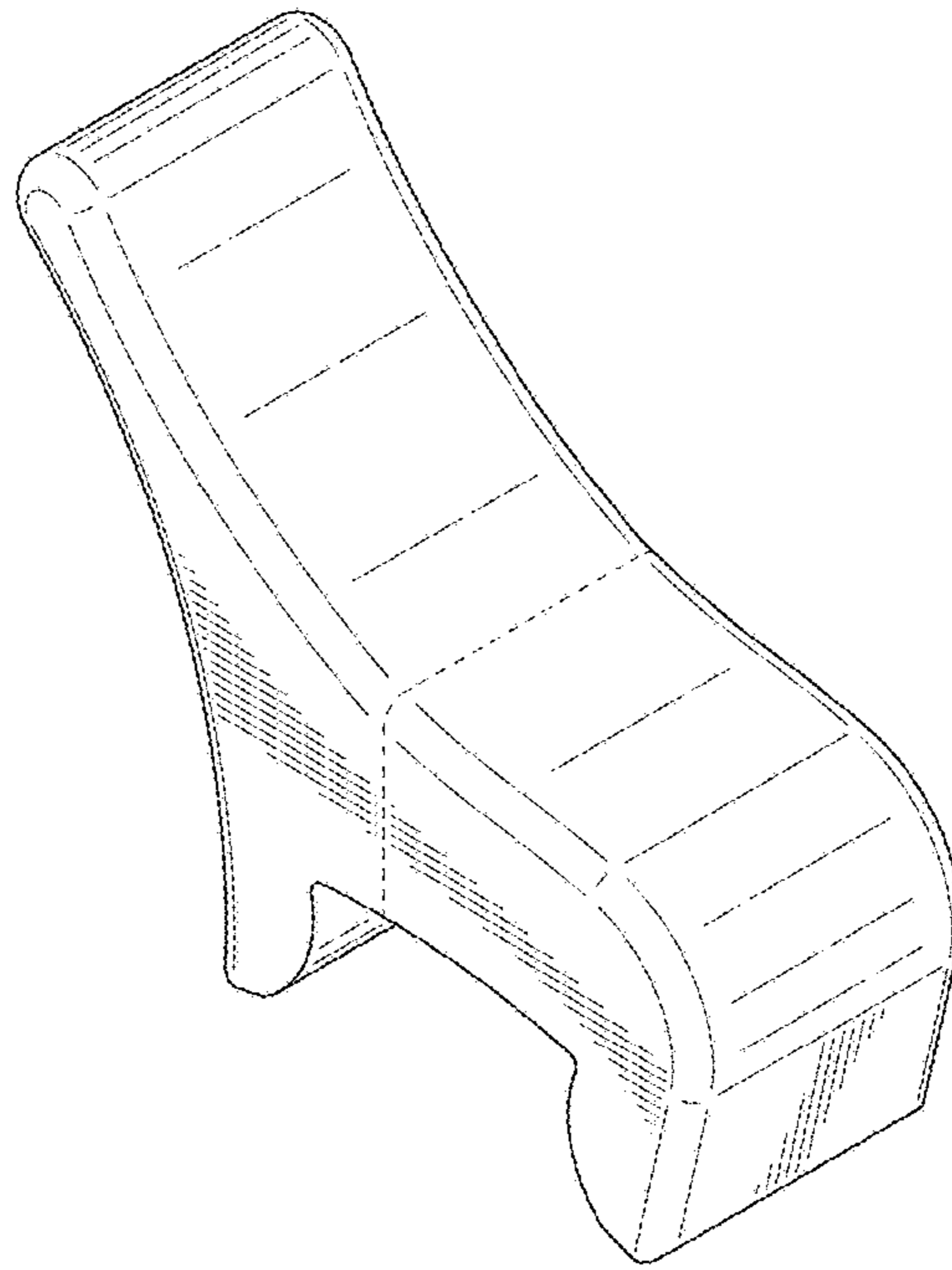


FIG. 2

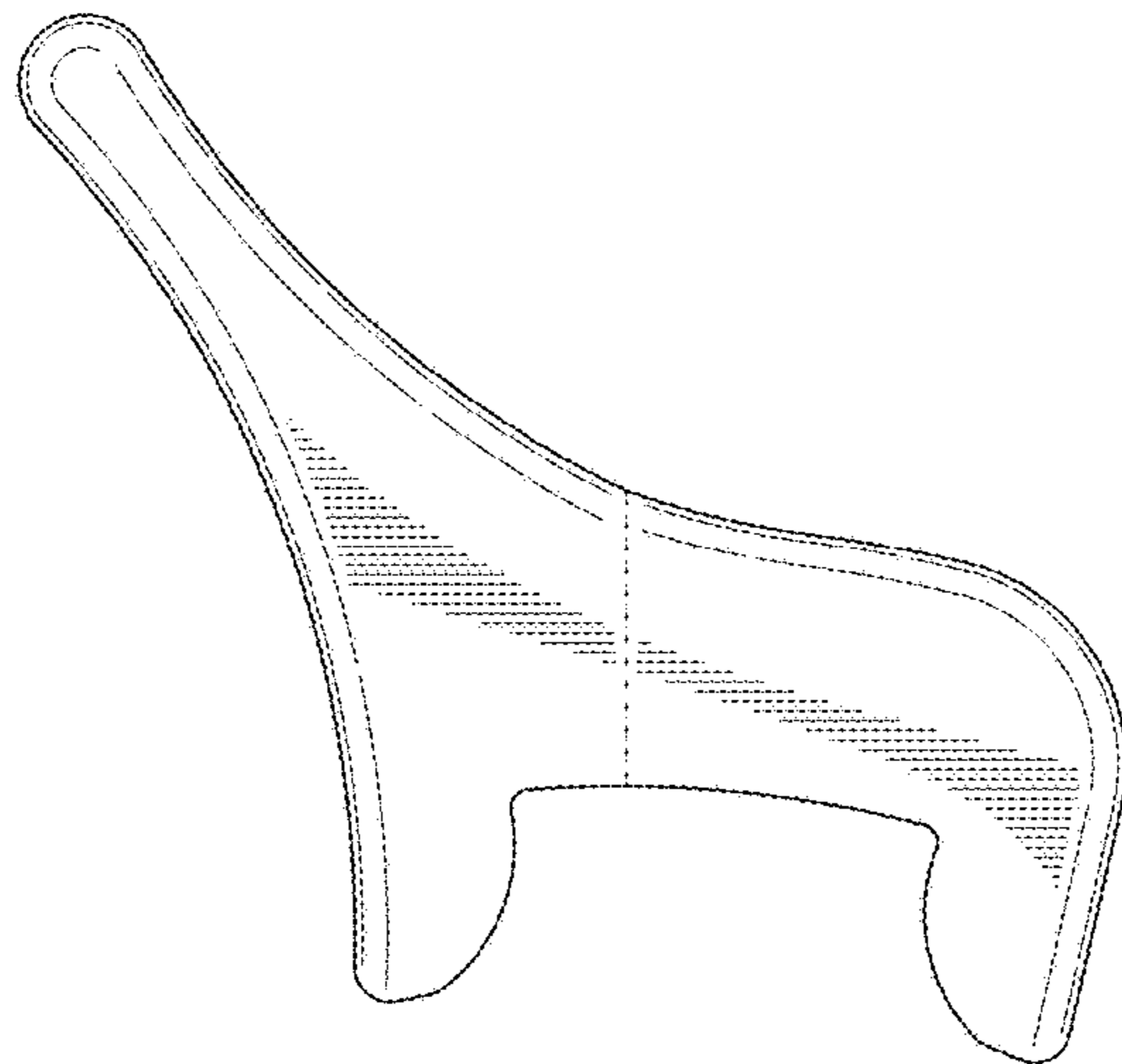


FIG. 3

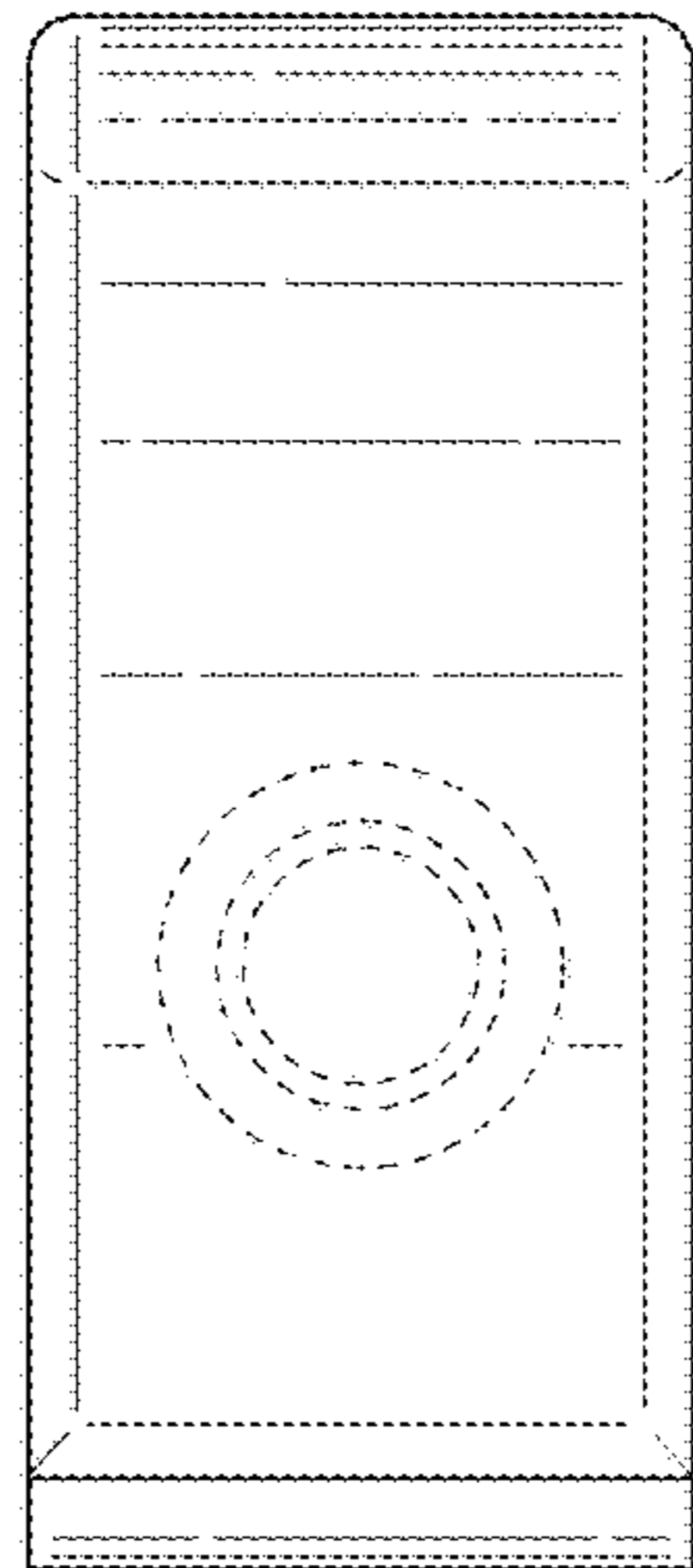


FIG. 4

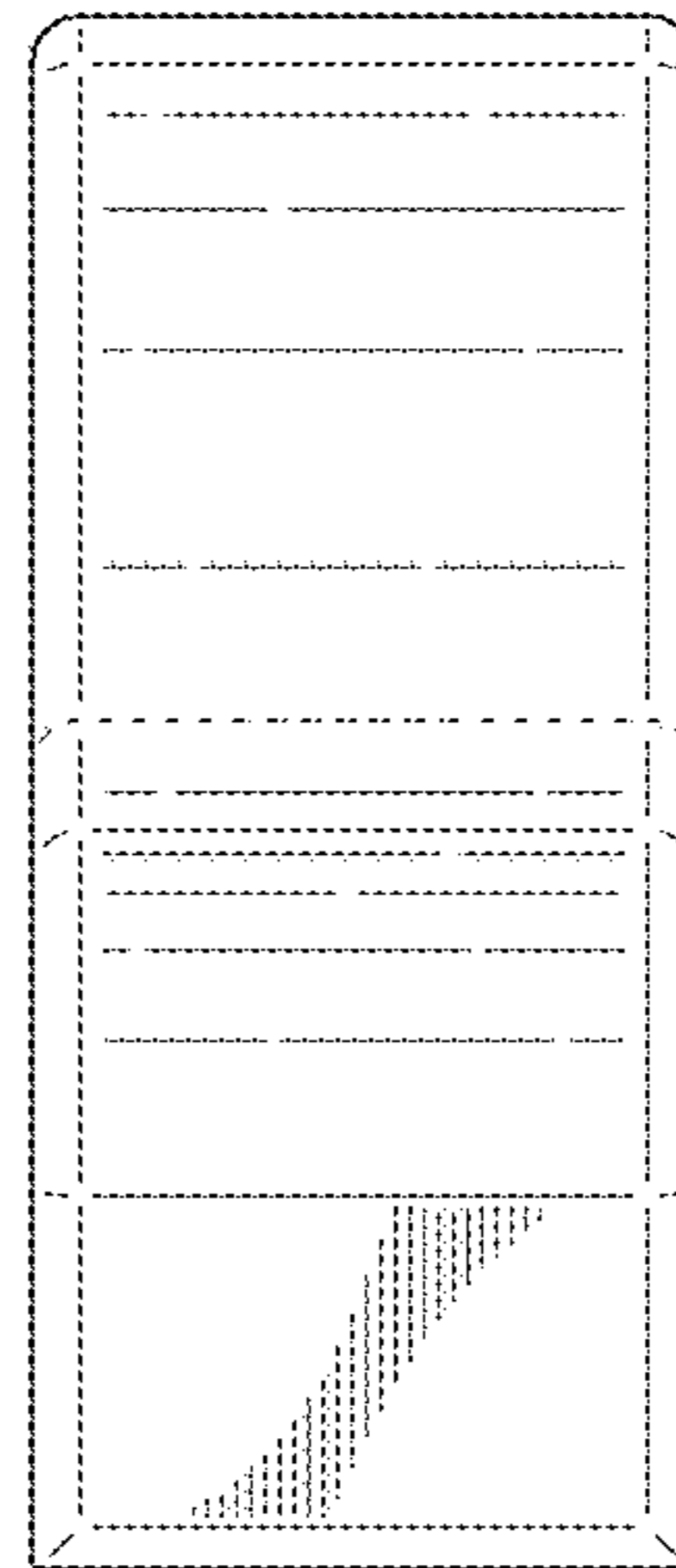


FIG. 5

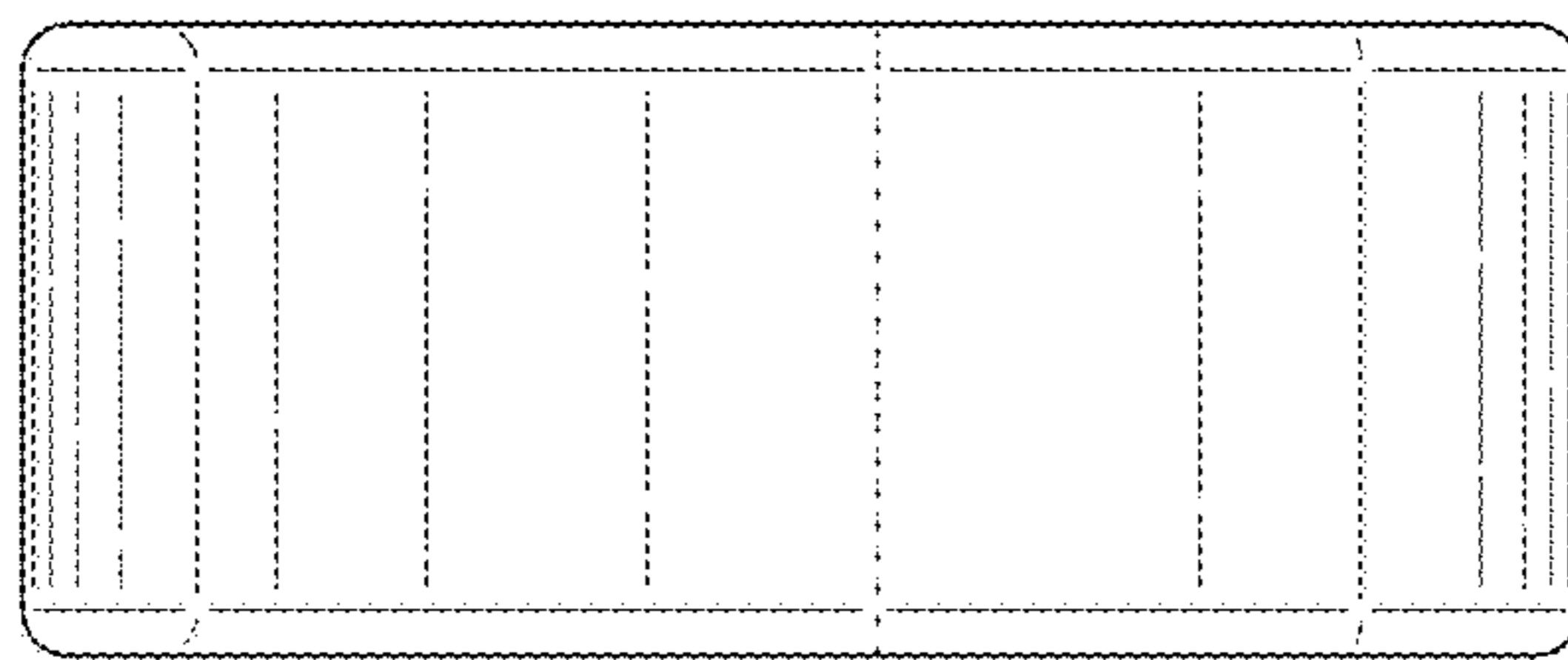


FIG. 6

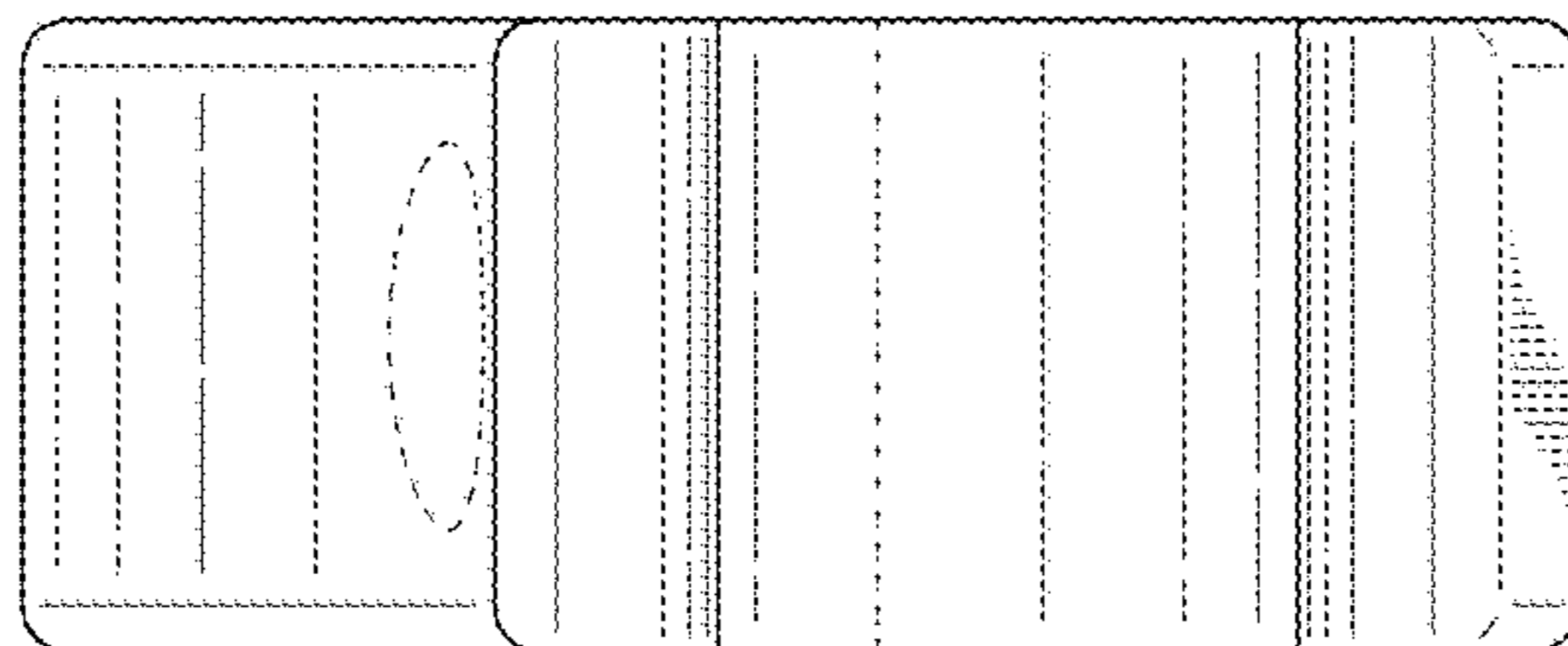


FIG. 7