



US00D862629S

(12) **United States Design Patent** (10) **Patent No.:** **US D862,629 S**
Chambless (45) **Date of Patent:** **** Oct. 8, 2019**

(54) **HANDGUARD**

(71) Applicant: **Springfield, Inc.**, Geneseo, IL (US)

(72) Inventor: **Jason Drake Chambless**, Geneseo, IL (US)

(73) Assignee: **Springfield, Inc.**, Geneseo, IL (US)

(**) Term: **15 Years**

(21) Appl. No.: **29/626,164**

(22) Filed: **Nov. 15, 2017**

(51) **LOC (12) Cl.** **22-01**

(52) **U.S. Cl.**
USPC **D22/108**

(58) **Field of Classification Search**
USPC D22/108
CPC F41C 23/10; F41C 23/14; F41C 23/16;
F41C 23/18
See application file for complete search history.

(56) **References Cited**

U.S. PATENT DOCUMENTS

D616,521 S *	5/2010	Starnes	D22/108
D773,590 S *	12/2016	Wingate	D22/108
D779,014 S *	2/2017	Cheng	D22/108
D783,760 S *	4/2017	Pavlick	D22/108
D783,761 S *	4/2017	Pavlick	D22/108
D785,743 S *	5/2017	Pavlick	D22/108
D818,073 S *	5/2018	Dubois	D22/108
D827,082 S *	8/2018	Dubois	D22/108
D844,094 S *	3/2019	Geissele	D22/108
D846,688 S *	4/2019	Storch	D22/108
2010/0212201 A1 *	8/2010	Kinzel	F41G 11/003 42/2

OTHER PUBLICATIONS

AR15 Quantum M-Lok Handguards <https://aeroprecisionusa.com/ar15-quantum-mlok-handguards.html>.

(Continued)

Primary Examiner — Michael A. Pratt

(74) *Attorney, Agent, or Firm* — Woodard, Emhardt, Henry, Reeves & Wagner, LLP

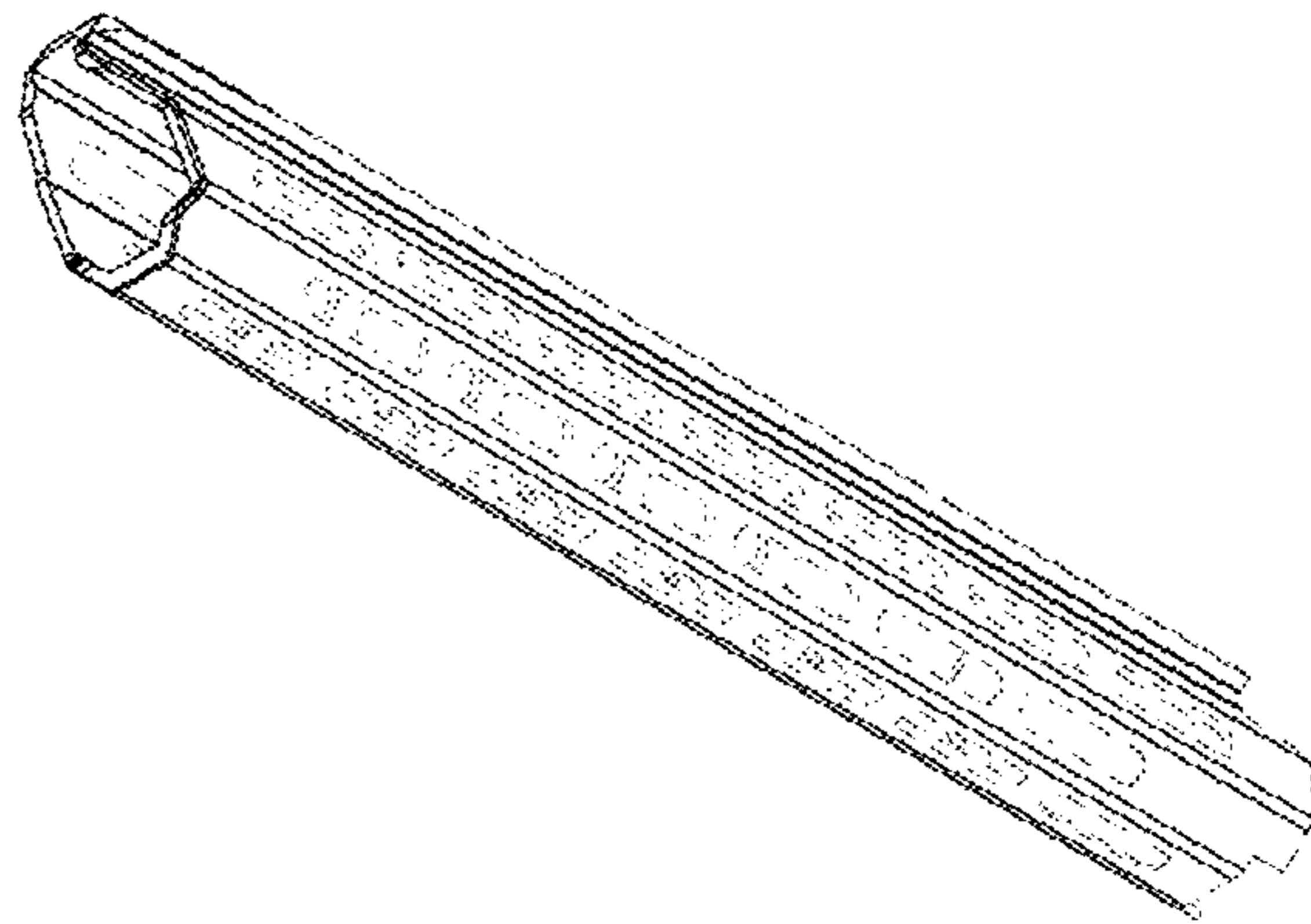
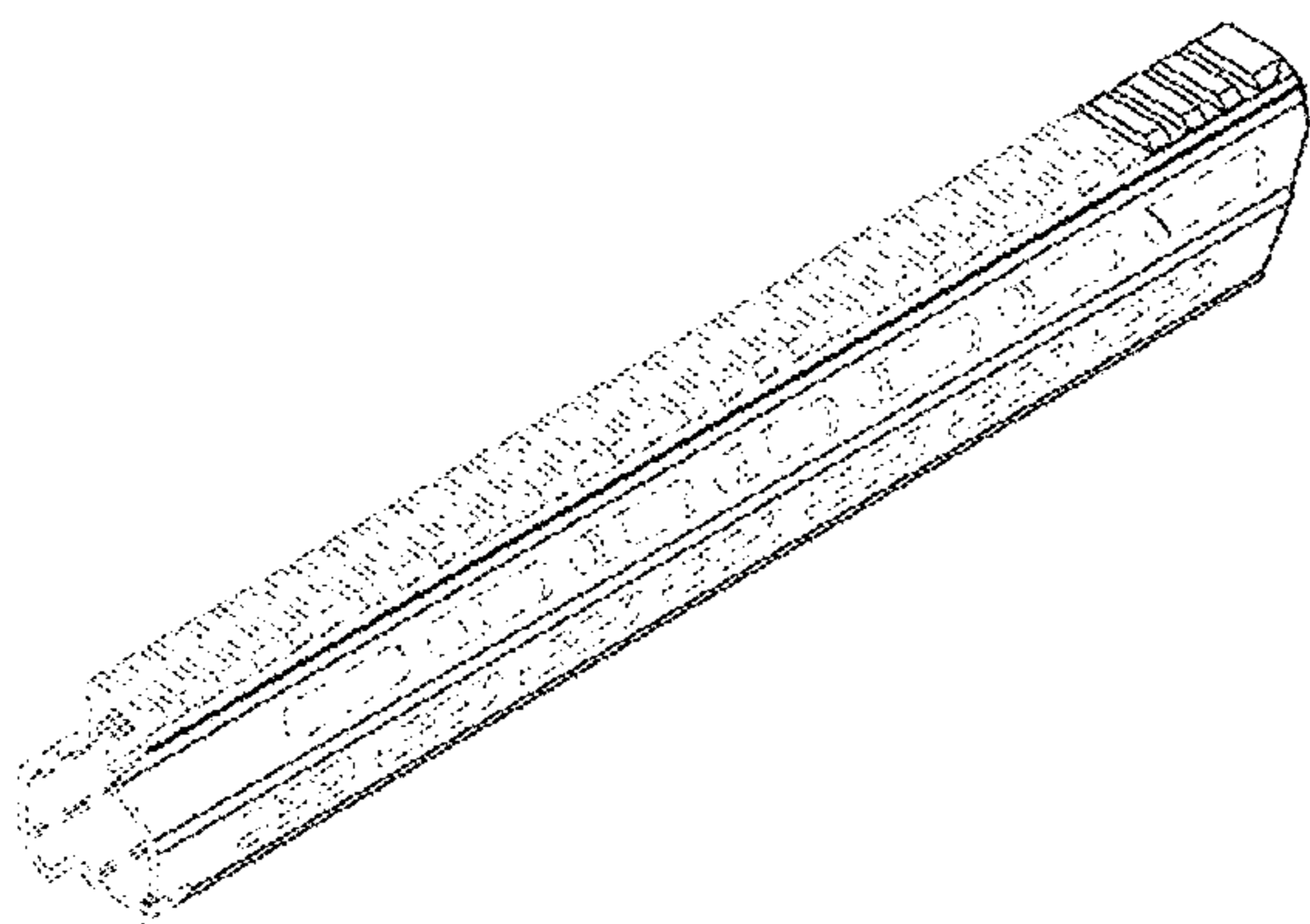
(57) **CLAIM**

The ornamental design for a handguard, as shown and described.

DESCRIPTION

FIG. 1 is a perspective view of the handguard showing my new design in a first embodiment; FIG. 2 is a perspective view thereof; FIG. 3 is a right side view thereof; FIG. 4 is a left side view thereof; FIG. 5 is a rear end view thereof; FIG. 6 is a front end view thereof; FIG. 7 is a top view thereof; FIG. 8 is a bottom view thereof; FIG. 9 is a perspective view of a second embodiment; FIG. 10 is a perspective view thereof; FIG. 11 is a right side view thereof; FIG. 12 is a left side view thereof; FIG. 13 is a rear end view thereof; FIG. 14 is a front end view thereof; FIG. 15 is a top view thereof; FIG. 16 is a bottom view thereof; FIG. 17 is a perspective view of a third embodiment; FIG. 18 is a perspective view thereof; FIG. 19 is a perspective view thereof; FIG. 20 is a perspective view thereof; FIG. 21 is a right side view thereof; FIG. 22 is a left side view thereof; FIG. 23 is a rear end view thereof; FIG. 24 is a front end view thereof; FIG. 25 is a top view thereof; and, FIG. 26 is a bottom view thereof.

1 Claim, 10 Drawing Sheets



(56)

References Cited

OTHER PUBLICATIONS

AR-15 Scope Rings. AR-15 Angled M-Lok Free-Float Handguard
http://www.mountsplus.com/AR-15_Accessories/AR-15_Scope_Rings/182-UMT-JLBMLA.html.
The MML (Mega M Lok) Upper <http://www.megaarms.com/2015/01/the-mml-mega-m-lok-upper/>.

* cited by examiner

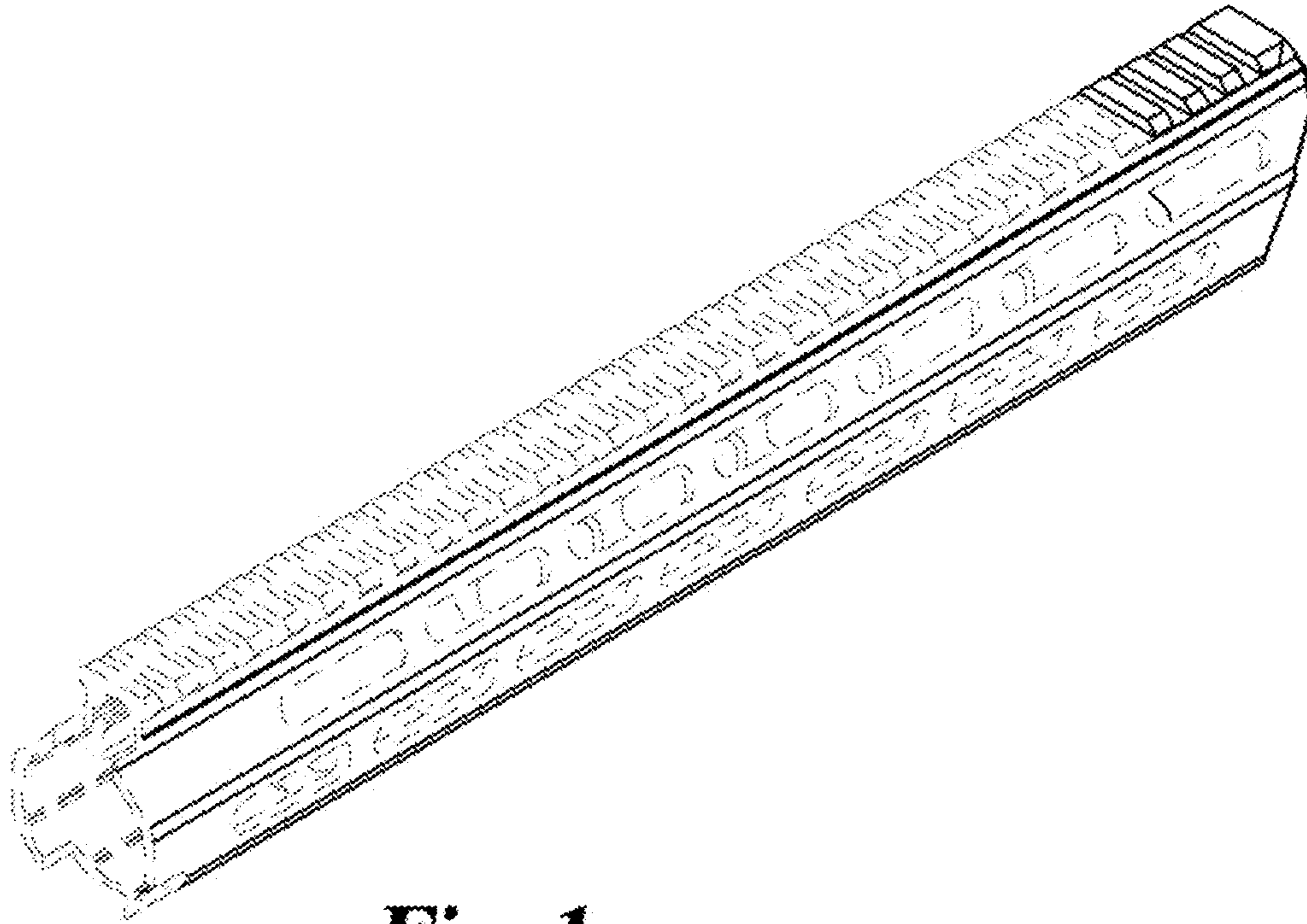


Fig. 1

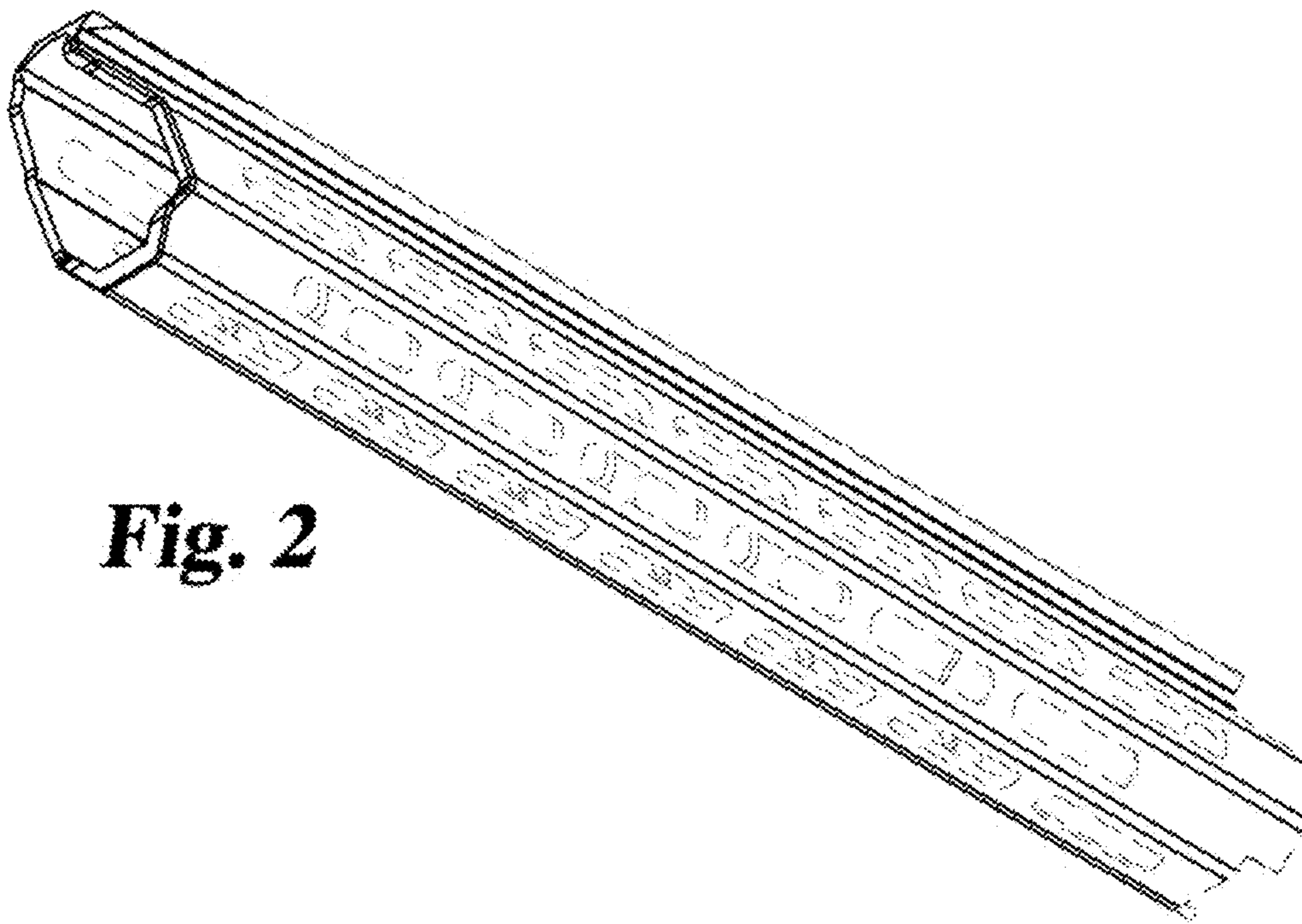


Fig. 2

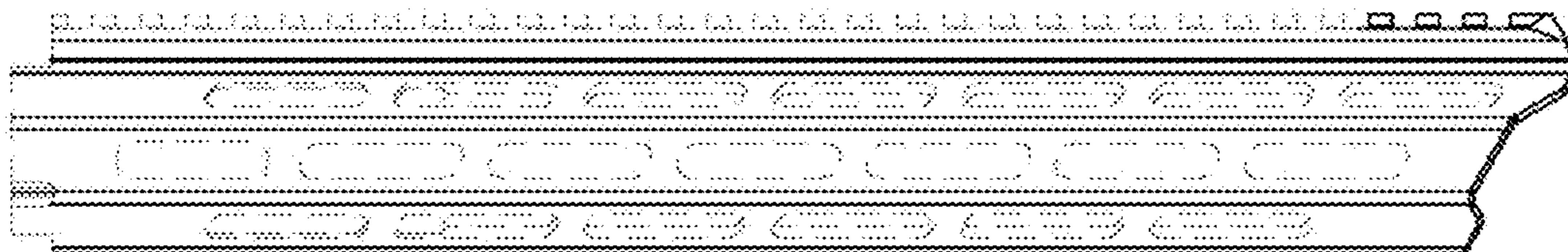


Fig. 3

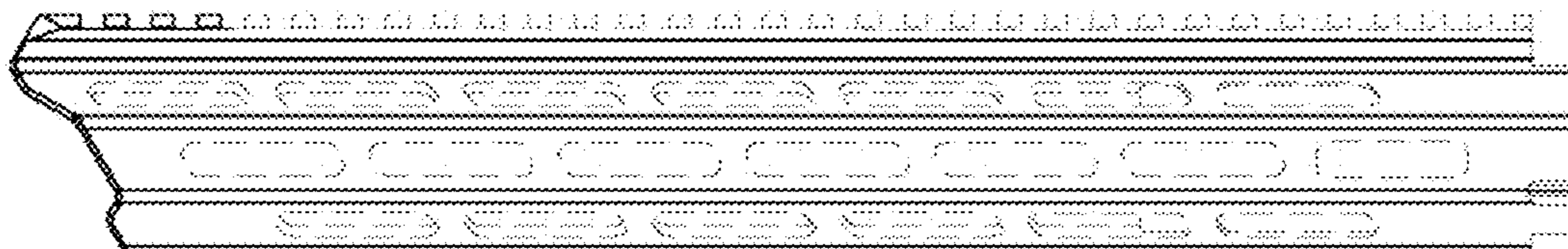


Fig. 4

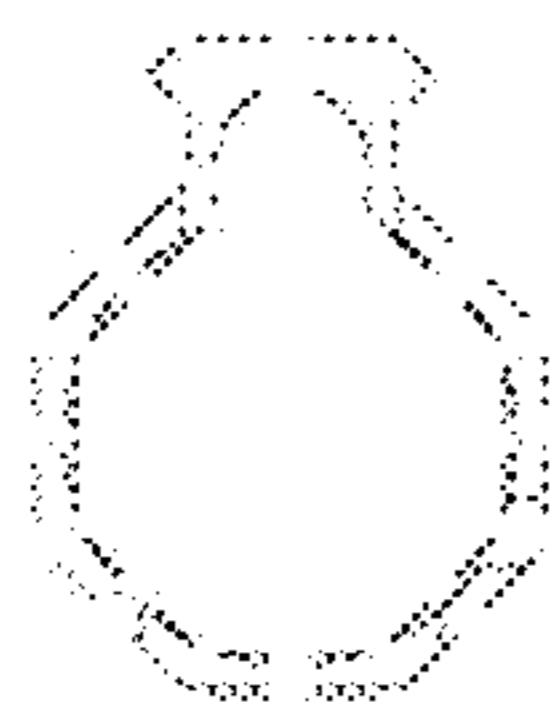


Fig. 5

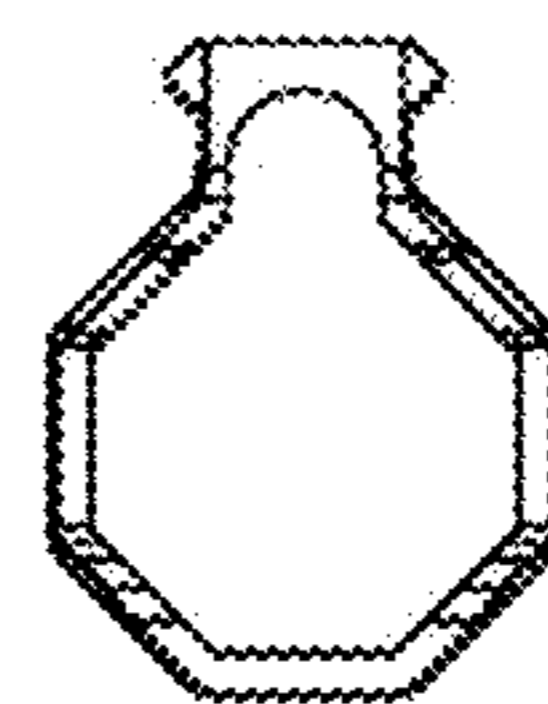


Fig. 6

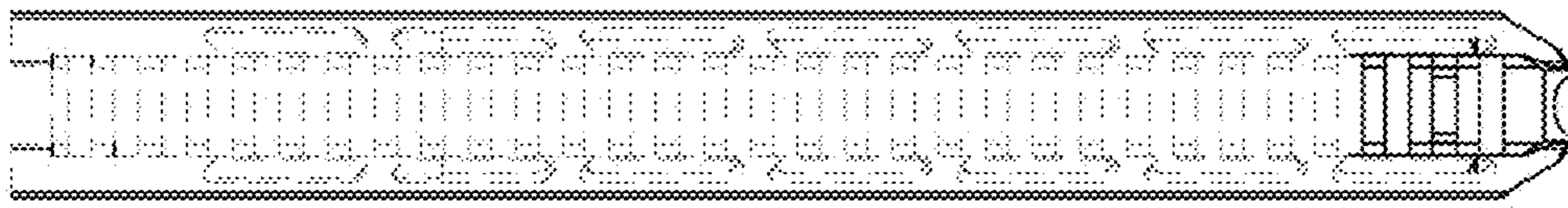


Fig. 7

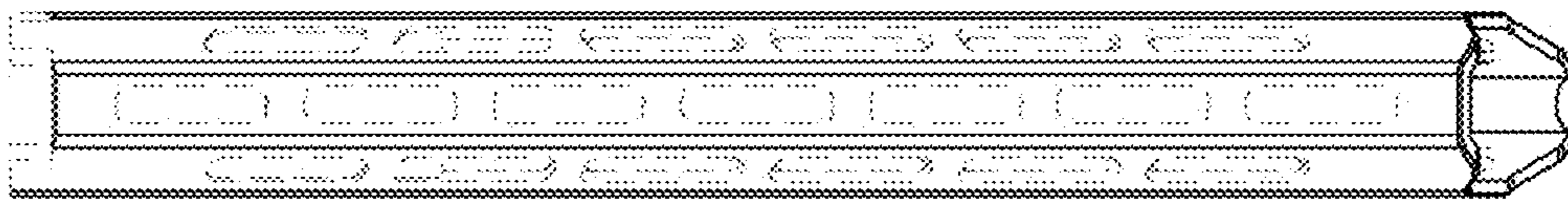


Fig. 8

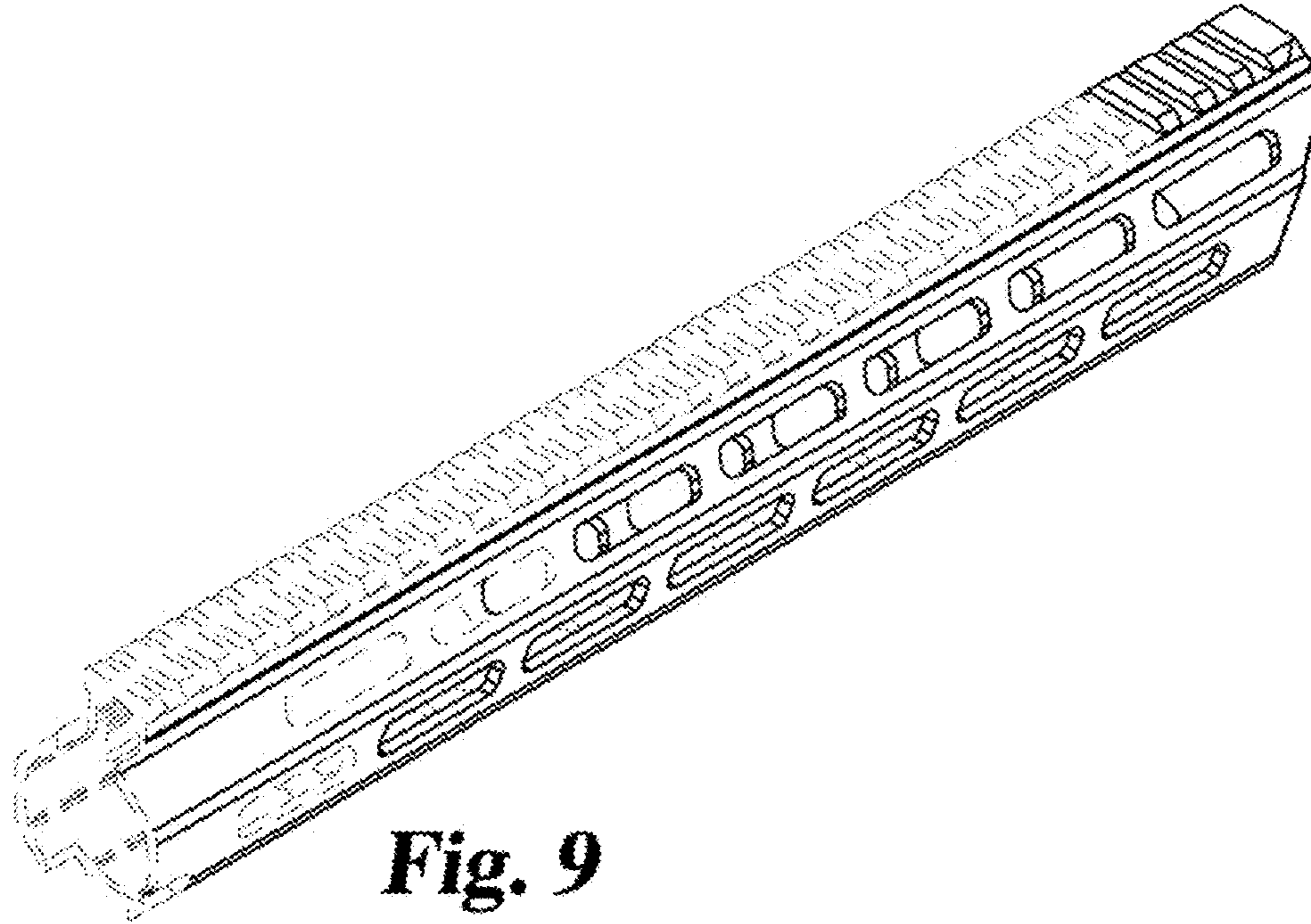


Fig. 9

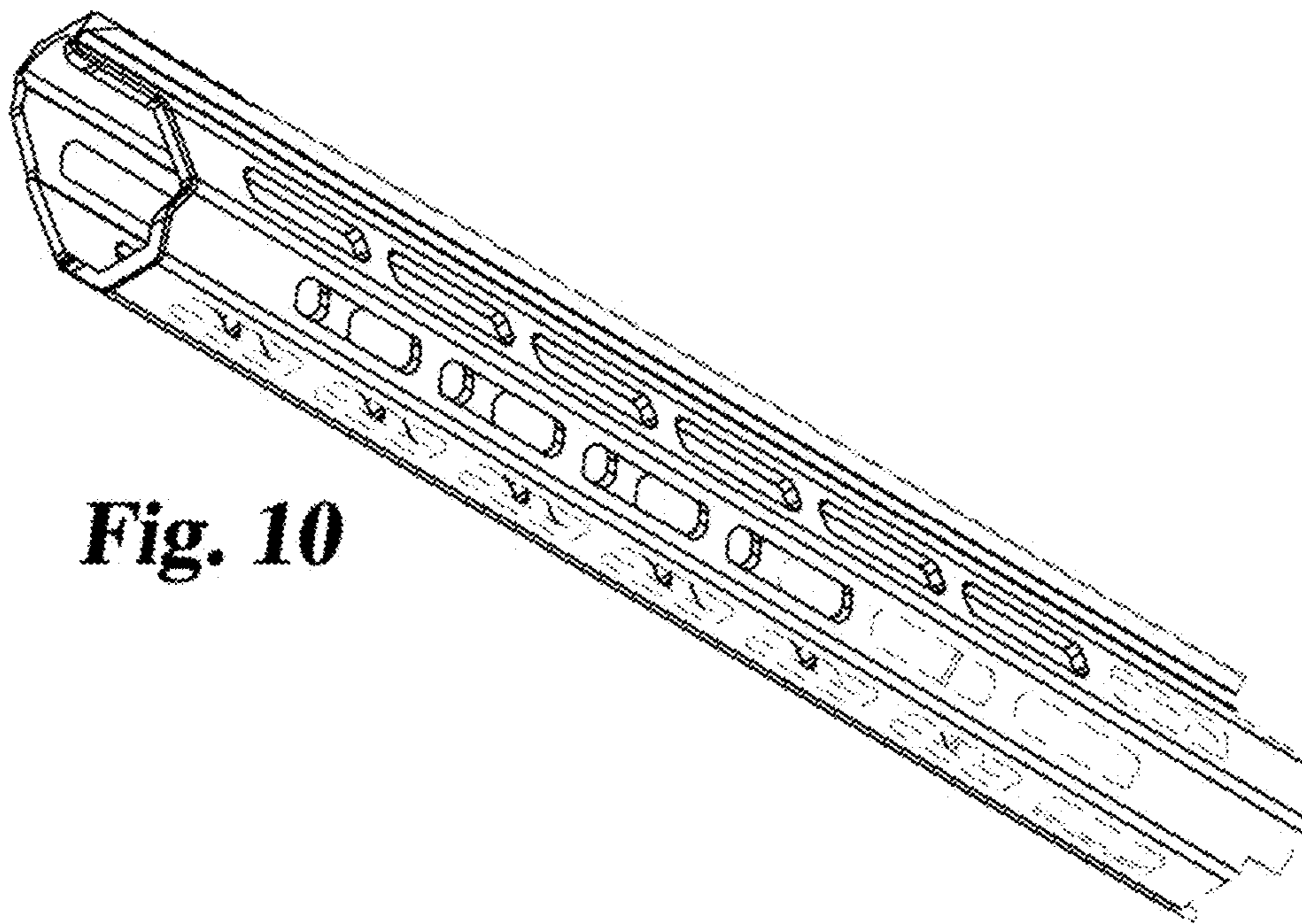


Fig. 10

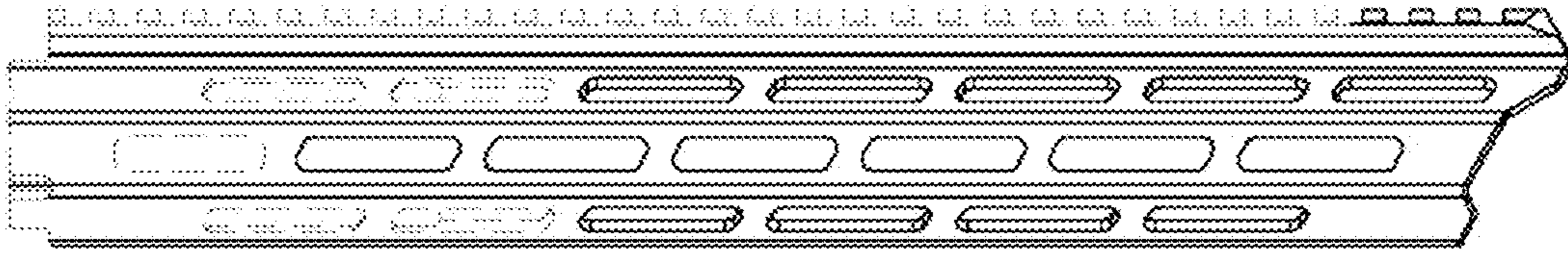


Fig. 11

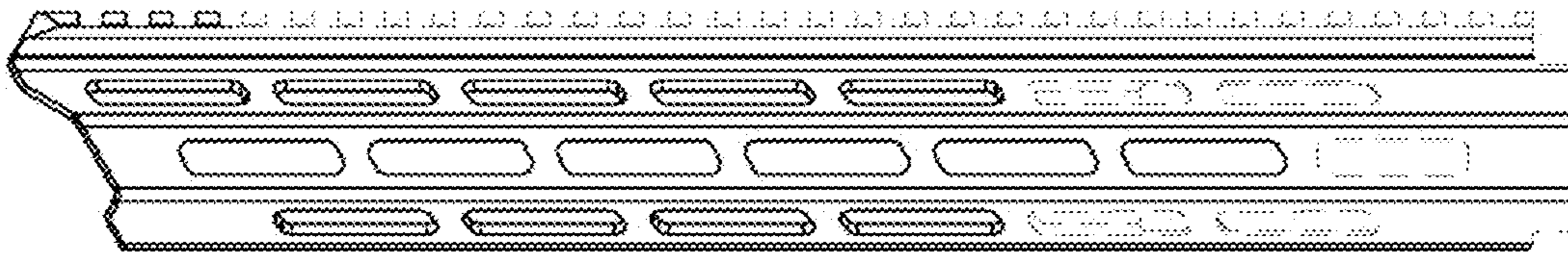


Fig. 12

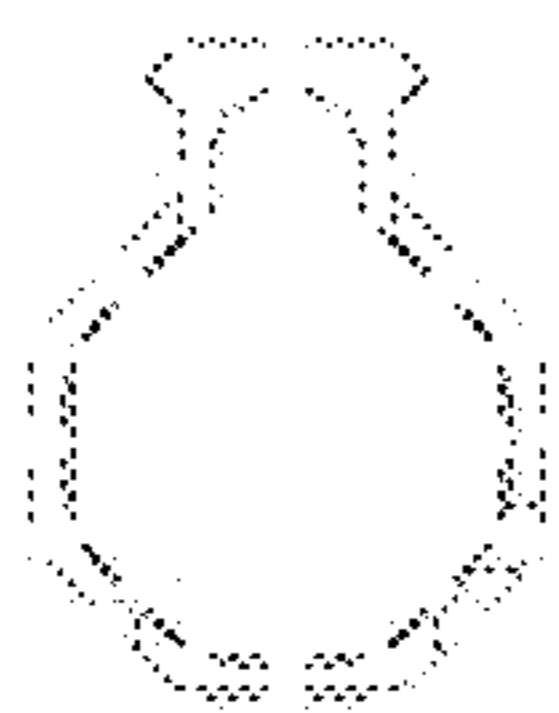


Fig. 13

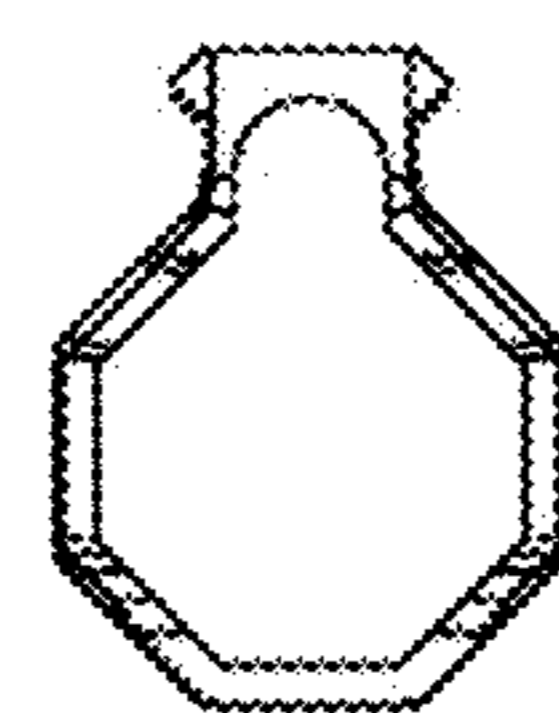


Fig. 14

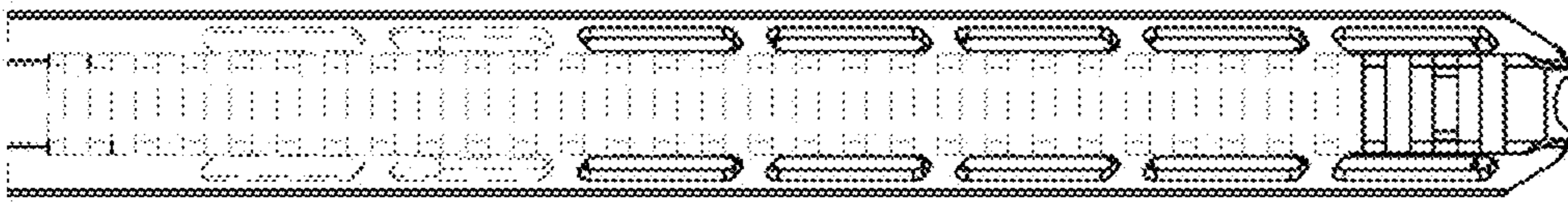


Fig. 15

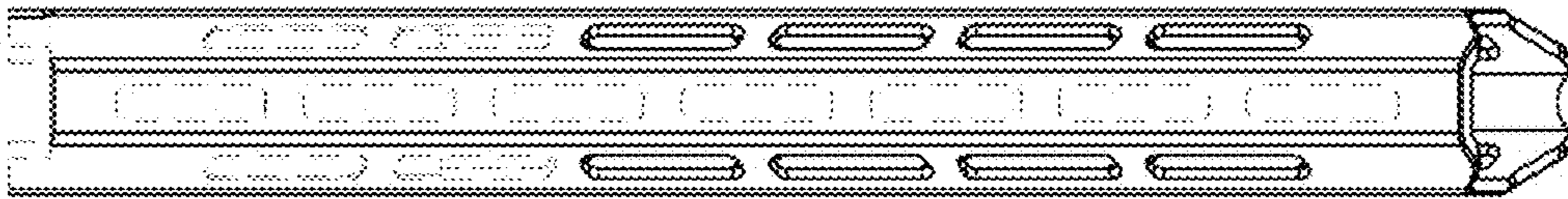


Fig. 16

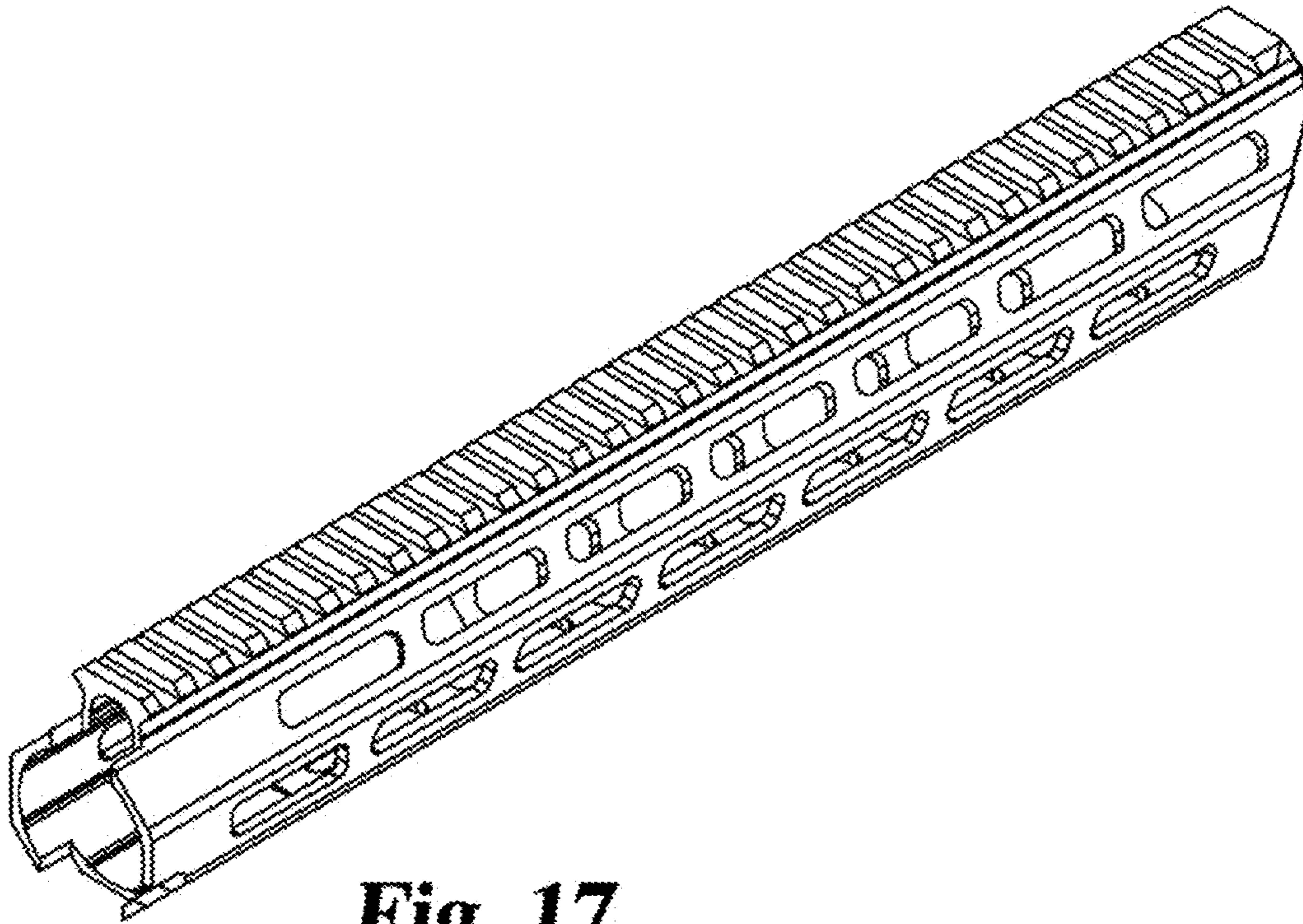


Fig. 17

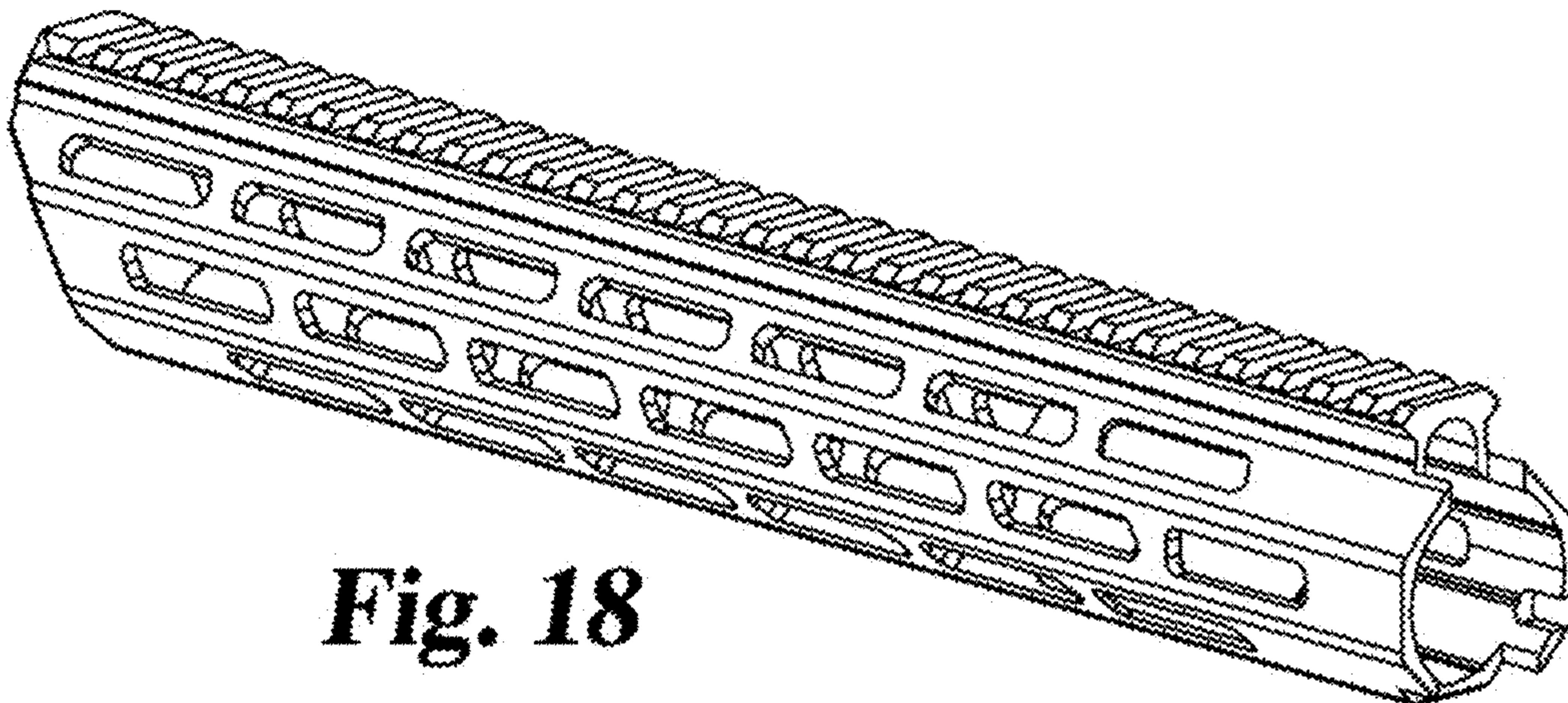


Fig. 18

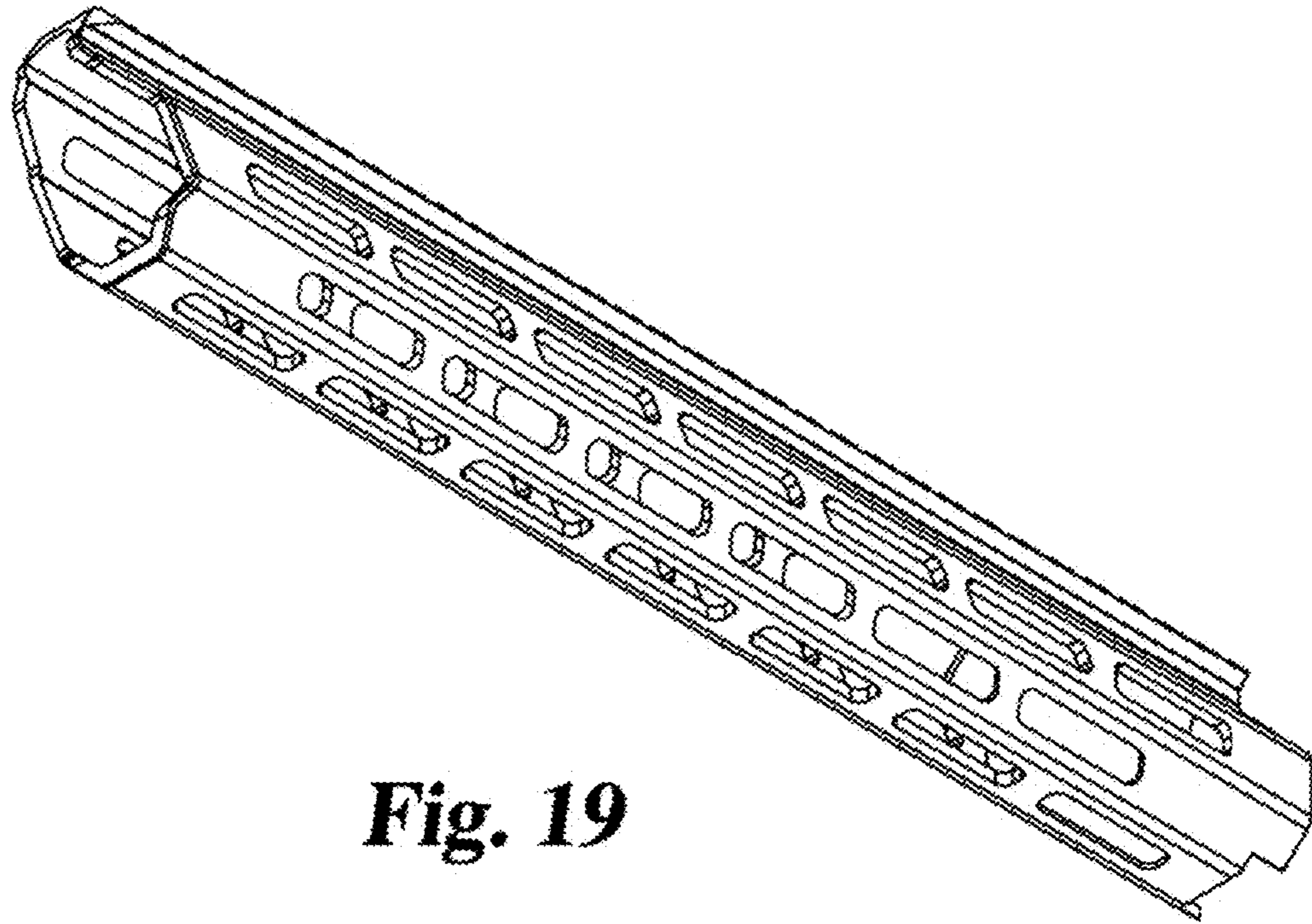


Fig. 19

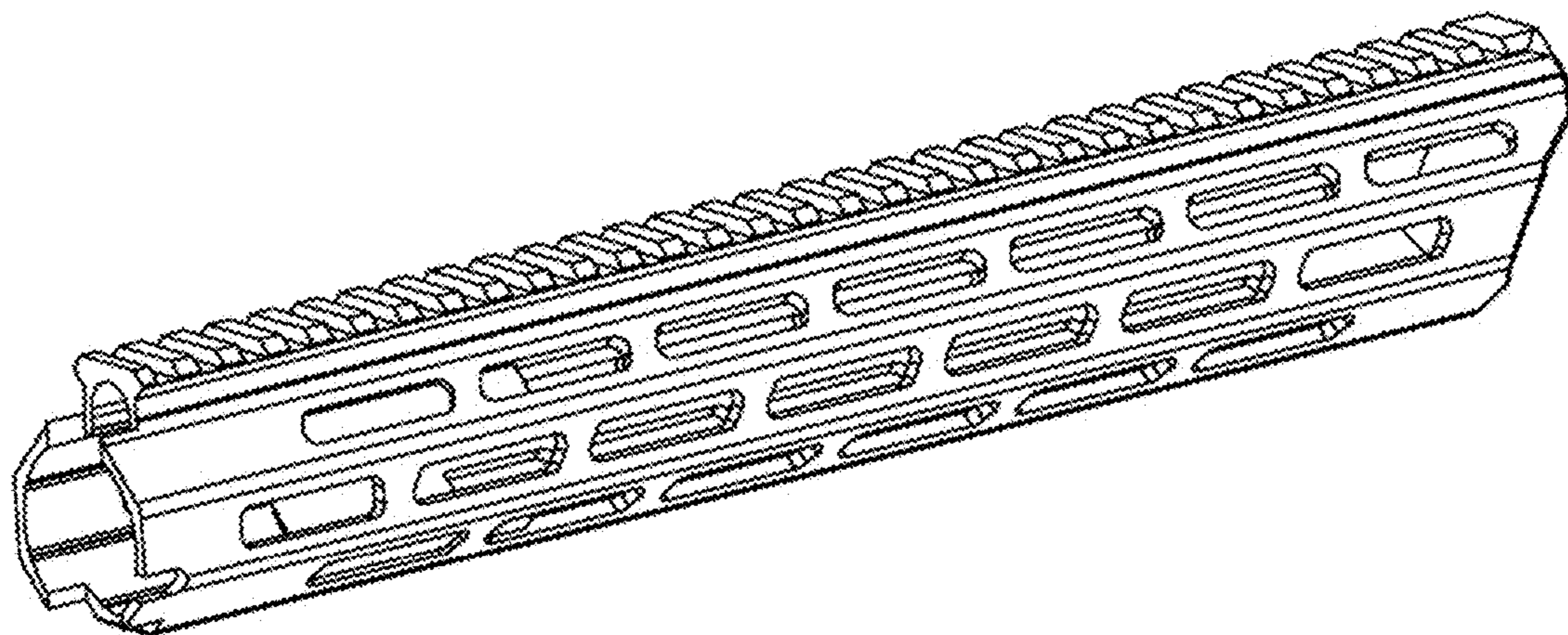


Fig. 20

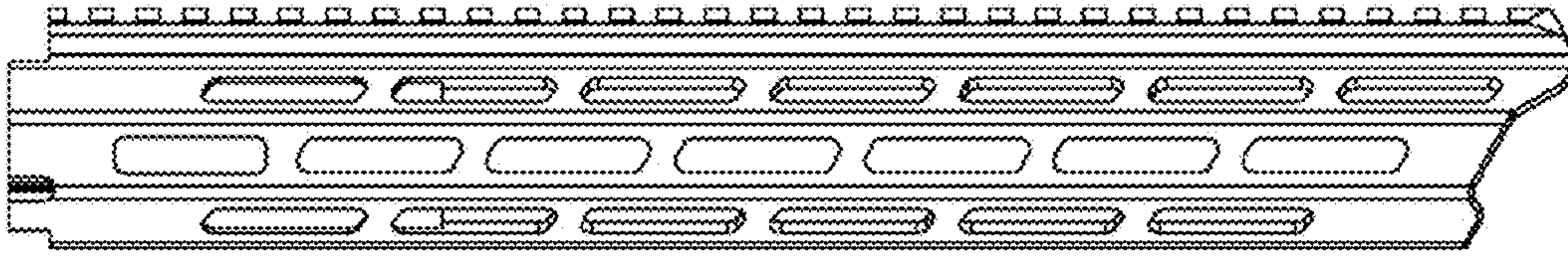


Fig. 21

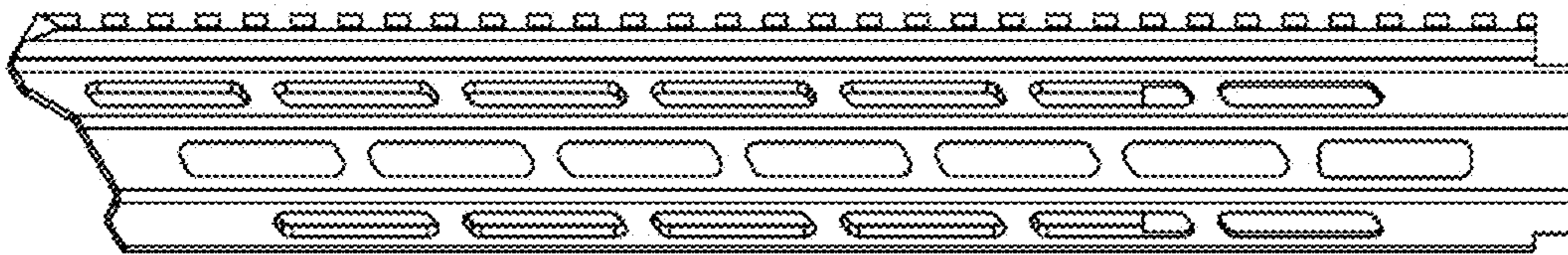


Fig. 22

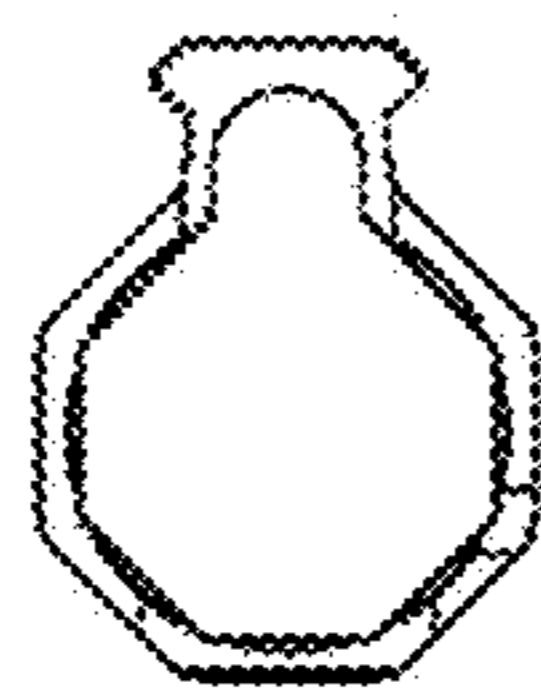


Fig. 23

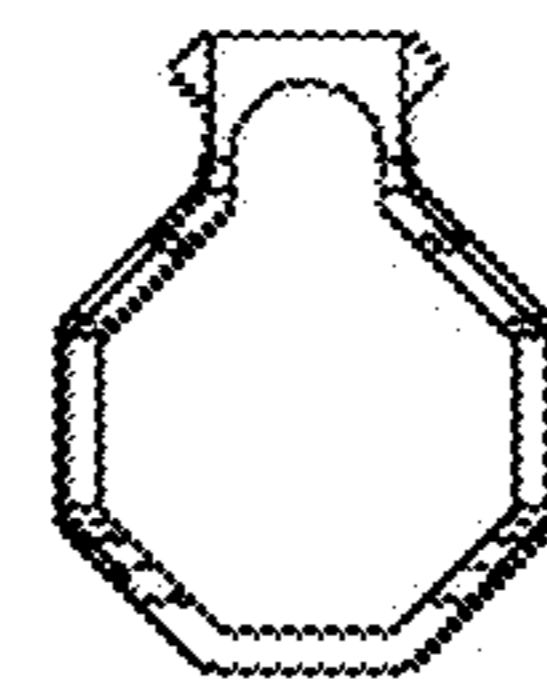


Fig. 24

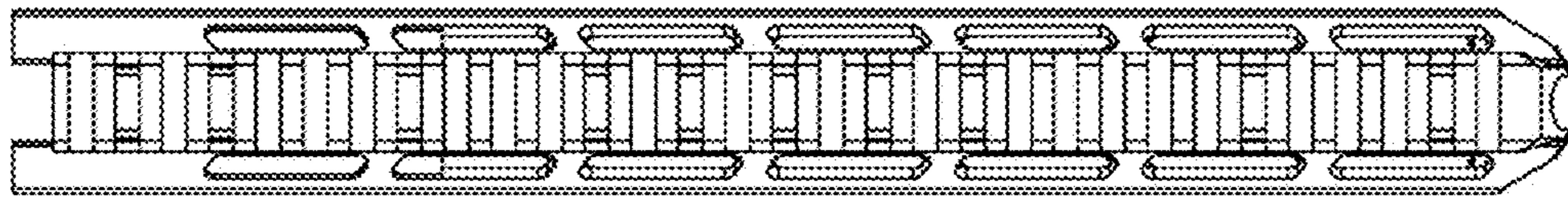


Fig. 25

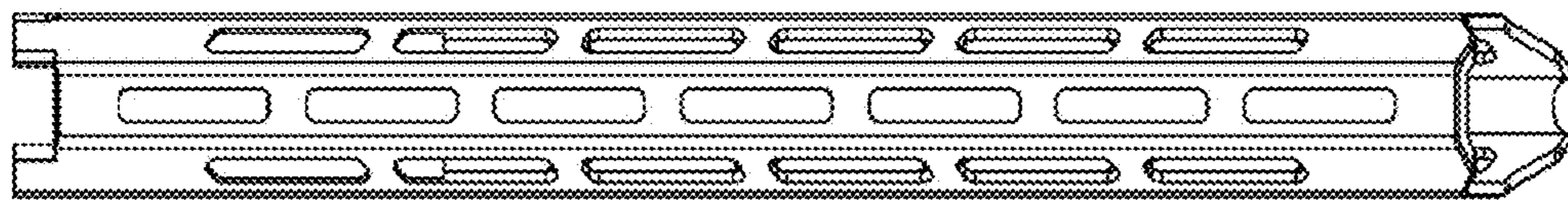


Fig. 26