

US00D862624S

(12) **United States Design Patent**  
**Hsu et al.**

(10) **Patent No.:** **US D862,624 S**

(45) **Date of Patent:** **\*\* Oct. 8, 2019**

(54) **INFLATABLE YIN/YANG FLOAT**  
(71) Applicant: **Intex Marketing Ltd.**, Tortola (VG)  
(72) Inventors: **Yaw Yuan Hsu**, Fujian (CN); **Kun Chao Hsu**, Fujian (CN)

(73) Assignee: **Intex Marketing Ltd.**, Tortola (VG)

(\*\*) Term: **15 Years**

(21) Appl. No.: **29/655,624**

(22) Filed: **Jul. 5, 2018**

(30) **Foreign Application Priority Data**

Jan. 9, 2018 (CN) ..... 2018 3 0009174

(51) **LOC (12) Cl.** ..... **21-02**

(52) **U.S. Cl.**  
USPC ..... **D21/808**

(58) **Field of Classification Search**  
USPC ..... D21/617, 611, 801, 803, 808, 811, 835  
CPC ..... B63C 9/08; A63B 31/00; B63B 35/58  
See application file for complete search history.

(56) **References Cited**

**U.S. PATENT DOCUMENTS**

1,566,858 A \* 12/1925 Guinzburg ..... B63C 9/08  
43/3  
D161,906 S \* 2/1951 Cohen ..... D21/608  
D162,333 S \* 3/1951 Moore ..... D21/608  
2,581,545 A \* 1/1952 Long ..... A63H 23/10  
441/131  
D289,191 S \* 4/1987 Wolfe ..... D21/808  
D301,910 S \* 6/1989 Wolfe ..... D21/808  
D302,998 S \* 8/1989 Wolfe ..... D21/808  
D303,560 S \* 9/1989 Scheurer ..... D21/809  
D306,472 S \* 3/1990 Scheurer ..... D21/809  
D306,473 S \* 3/1990 Scheurer ..... D21/809  
D306,474 S \* 3/1990 Scheurer ..... D21/809

D309,169 S \* 7/1990 Scheurer ..... D21/809  
D335,908 S \* 5/1993 Jackson ..... D21/803  
D347,329 S \* 5/1994 Wilkins ..... D21/808  
D350,586 S \* 9/1994 Francis ..... 5/930  
D362,895 S \* 10/1995 Nicholson ..... D21/650  
5,679,040 A \* 10/1997 Bianchi-Holm ..... A47C 20/00  
441/129  
D413,643 S \* 9/1999 Langley, III ..... D21/808  
D428,466 S \* 7/2000 Langley, III ..... D21/808  
D455,388 S \* 4/2002 McKeeta ..... D12/301  
D457,216 S \* 5/2002 Friar ..... D21/803  
D517,631 S 3/2006 Peterson  
D518,131 S 3/2006 Peterson  
D518,132 S 3/2006 Peterson  
D519,594 S \* 4/2006 Brown ..... D21/603  
D518,134 S 5/2006 Peterson  
D520,092 S 5/2006 Peterson  
D520,093 S 5/2006 Peterson  
D556,284 S 11/2007 Peterson  
D558,292 S 12/2007 Engaldo

(Continued)

*Primary Examiner* — Mitchell I. Siegel

(74) *Attorney, Agent, or Firm* — Faegre Baker Daniels LLP

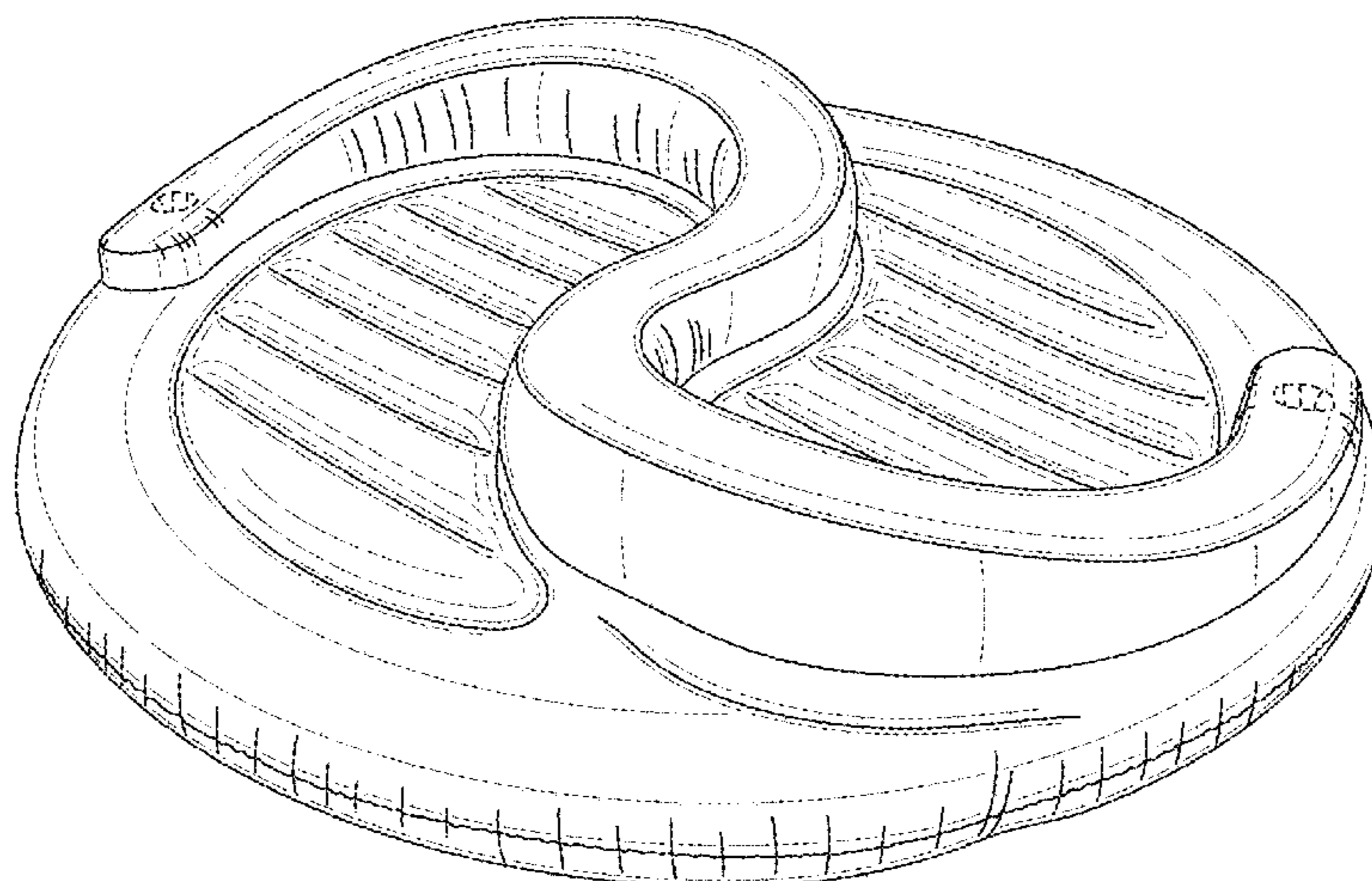
(57) **CLAIM**

We claim the ornamental design for an inflatable yin/yang float, as shown and described.

**DESCRIPTION**

FIG. 1 is a perspective view of an inflatable yin/yang float; FIG. 2 is a top plan view thereof; FIG. 3 is a bottom plan view thereof; FIG. 4 is a front elevational view thereof; FIG. 5 is a rear side elevational view thereof; FIG. 6 is a left side elevational view thereof; and, FIG. 7 is a right side elevational view thereof. The broken lines in FIGS. 1-7 represent portions of the inflatable yin/yang float that form no part of the claimed design.

**1 Claim, 7 Drawing Sheets**



(56)

**References Cited**

## U.S. PATENT DOCUMENTS

D571,429	S	*	6/2008	Roberts	.....	D21/803
D586,871	S	*	2/2009	Vessey	.....	D21/803
D603,926	S	*	11/2009	Merker	.....	D21/803
D626,192	S	*	10/2010	Hunter	.....	D21/803
D632,354	S	*	2/2011	Perry	.....	D21/803
D665,865	S	*	8/2012	Goolie	.....	D21/604
D680,184	S	*	4/2013	O'Rourke	.....	D21/835
D722,667	S	*	2/2015	Hsu	.....	D21/803
D726,273	S	*	4/2015	Wampold	.....	D21/809
D759,182	S	*	6/2016	Wampold	.....	D21/808
D775,295	S	*	12/2016	Wampold	.....	D1/106
D783,370	S	*	4/2017	Su	.....	D7/619.2
D785,119	S	*	4/2017	Hempton	.....	D21/808
D785,120	S	*	4/2017	Wampold	.....	D21/808
D787,617	S	*	5/2017	Krepack	.....	D21/808
D793,510	S	*	8/2017	George, II	.....	D21/803
D793,513	S	*	8/2017	George, II	.....	D21/803
D793,515	S	*	8/2017	George, II	.....	D21/808
D799,627	S	*	10/2017	de Grasse	.....	D21/808
D806,815	S	*	1/2018	Su	.....	D21/808
D819,152	S	*	5/2018	Liu	.....	D21/803
D827,751	S	*	9/2018	Ligeri	.....	D21/808
D832,963	S	*	11/2018	Su	.....	D21/801
D839,983	S	*	2/2019	Cirjak	.....	D21/815
D842,413	S	*	3/2019	Ligeri	.....	D21/808
D842,414	S	*	3/2019	Ligeri	.....	D21/808
D846,679	S	*	4/2019	Ligeri	.....	D21/808

\* cited by examiner

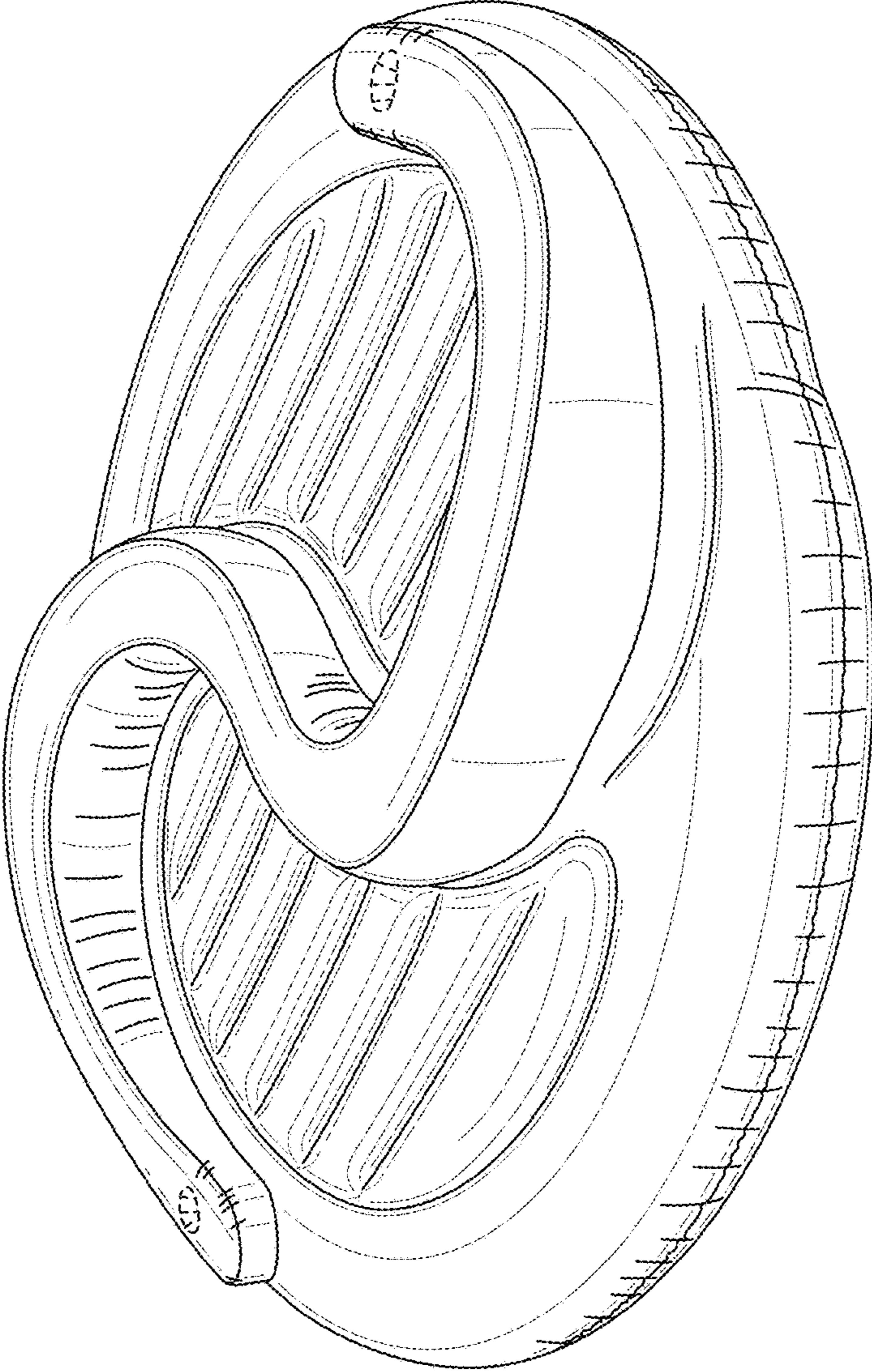


FIG. 1

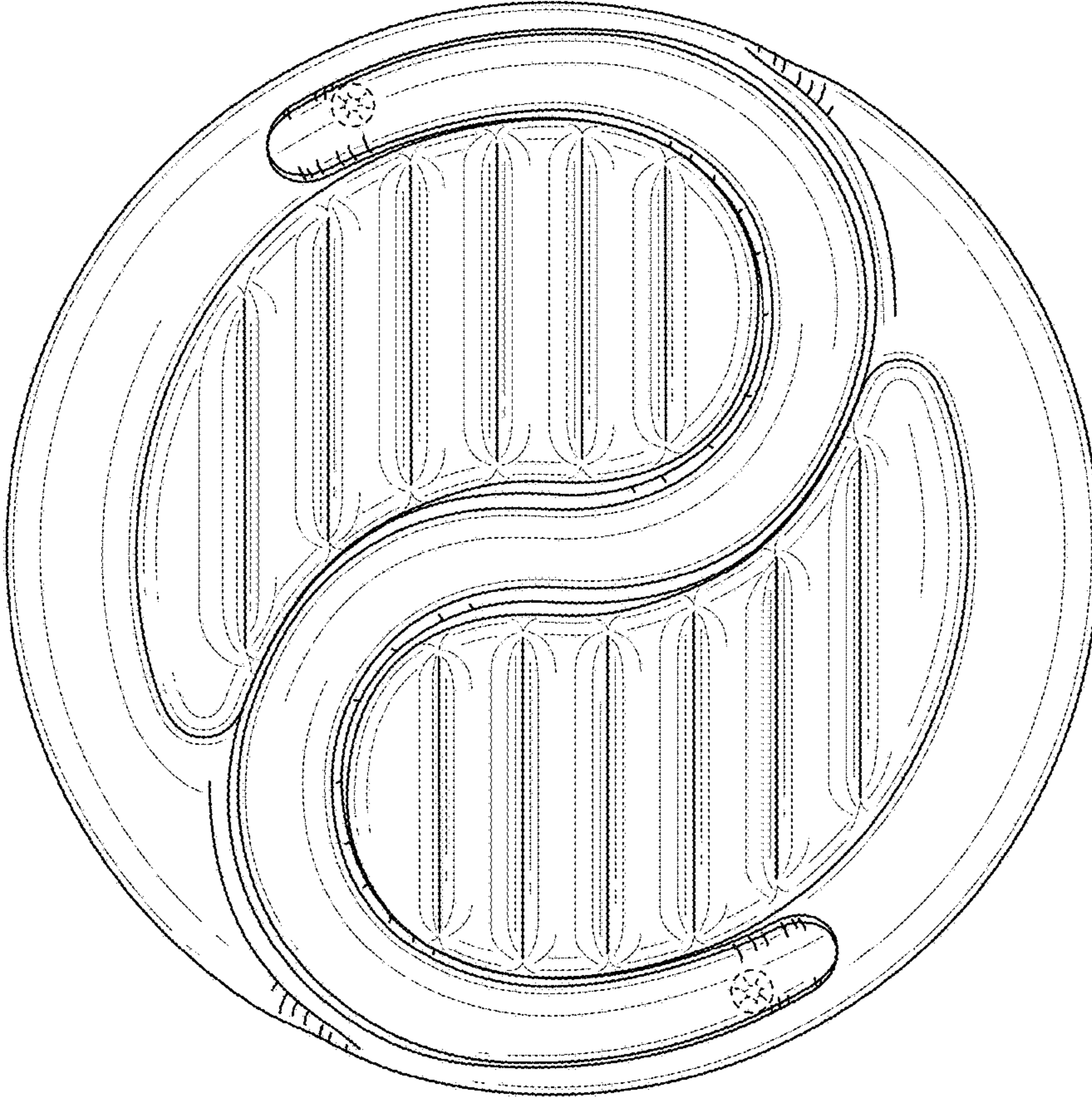


FIG. 2

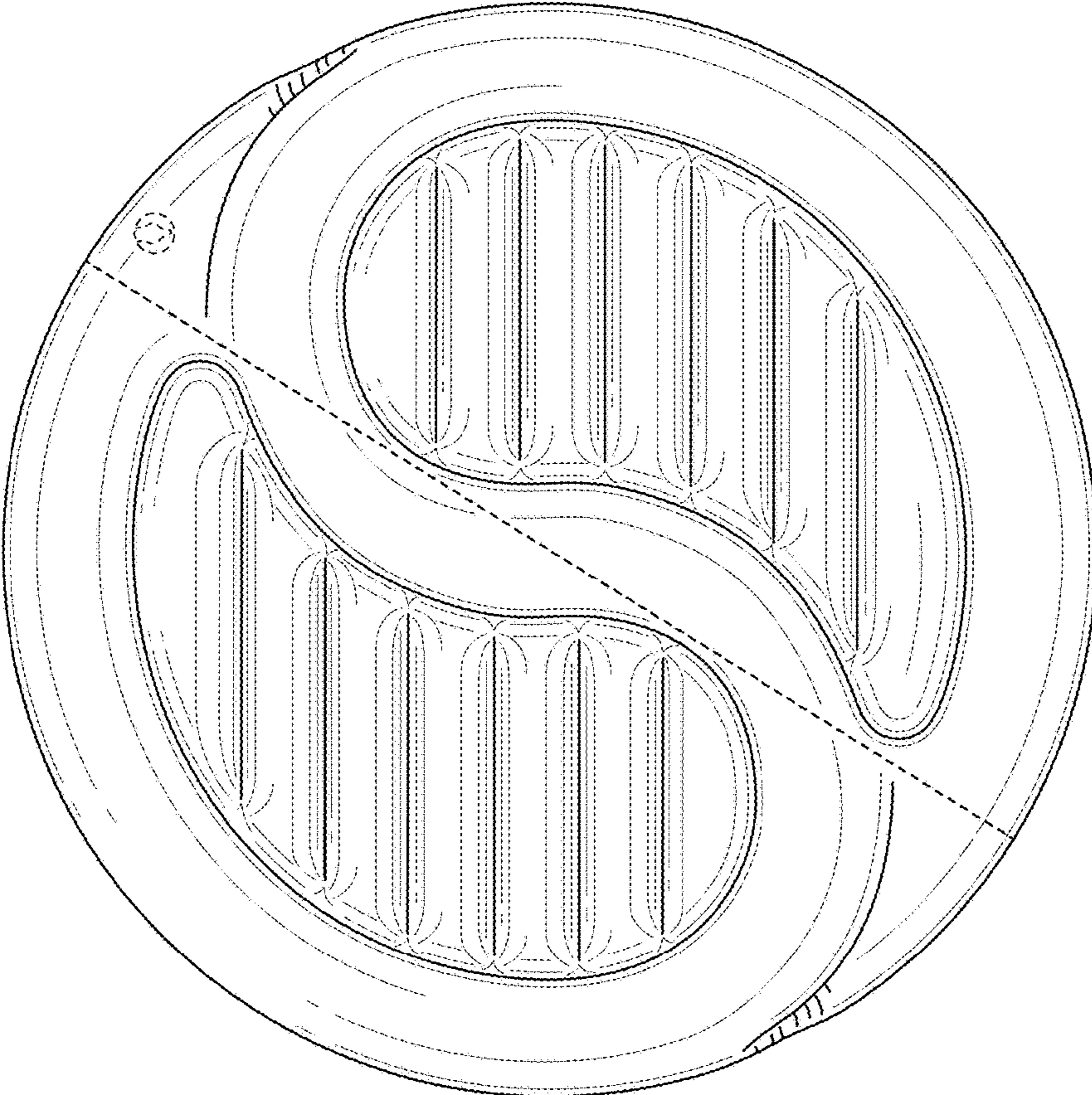


FIG. 3

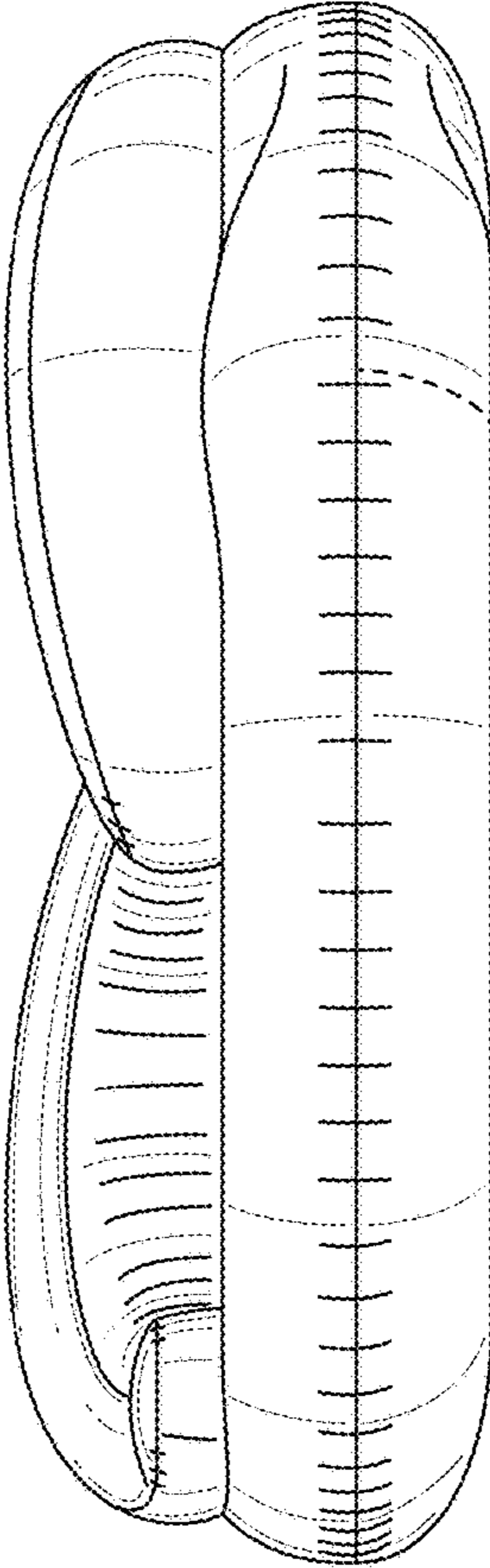


FIG. 4

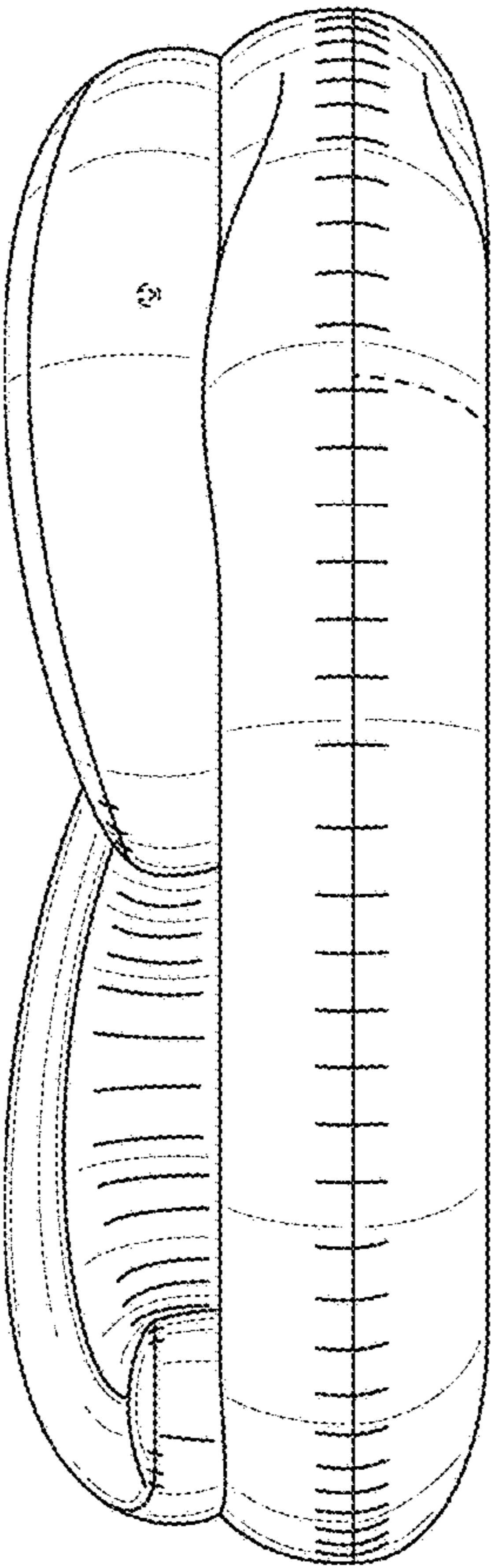


FIG. 5

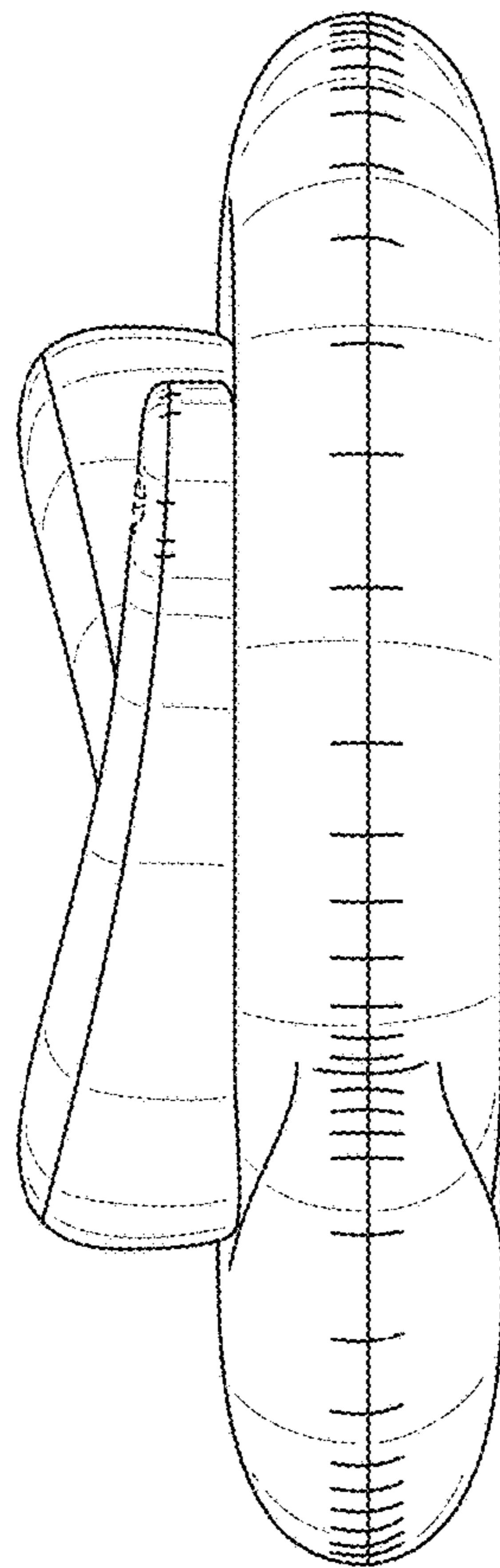


FIG. 6



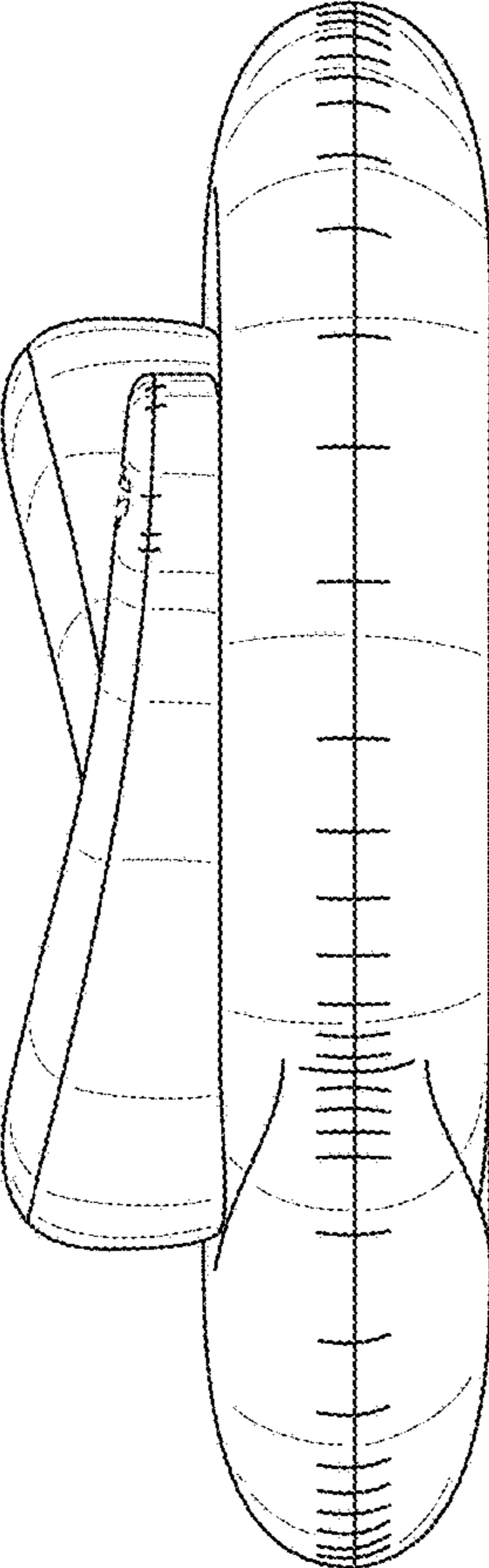


FIG. 7

UNITED STATES PATENT AND TRADEMARK OFFICE  
**CERTIFICATE OF CORRECTION**

PATENT NO. : D862,624 S  
APPLICATION NO. : 29/655624  
DATED : October 8, 2019  
INVENTOR(S) : Yaw Yuan Hsu et al.

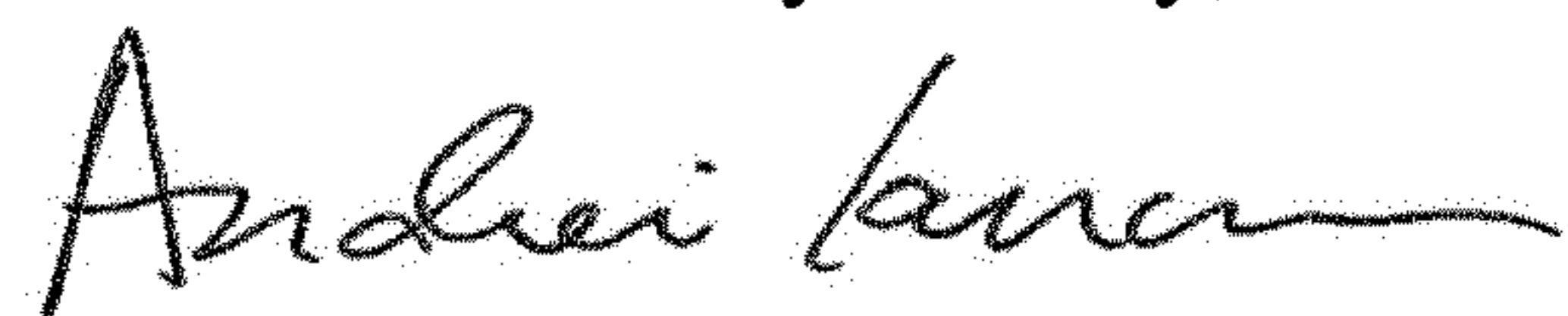
Page 1 of 1

It is certified that error appears in the above-identified patent and that said Letters Patent is hereby corrected as shown below:

On the Title Page

Column 1, Item (30) under Foreign Application Priority Data, please amend the foreign priority reference number to read "201830009174.3".

Signed and Sealed this  
Nineteenth Day of May, 2020



Andrei Iancu  
*Director of the United States Patent and Trademark Office*