

US00D862623S

(12) **United States Design Patent**  
**Hsu et al.**

(10) **Patent No.:** **US D862,623 S**

(45) **Date of Patent:** **\*\* Oct. 8, 2019**

(54) **INFLATABLE U-SHAPED CHAIR**  
(71) Applicant: **Intex Marketing Ltd.**, Tortola (VG)  
(72) Inventors: **Yaw Yuan Hsu**, Fujian (CN); **Kun Chao Hsu**, Fujian (CN)  
(73) Assignee: **Intex Marketing Ltd.**, Tortola (VG)  
(\*\*) Term: **15 Years**

D531,250 S \* 10/2006 Peterson ..... D21/809  
8,366,502 B2 \* 2/2013 Lin ..... B63B 35/73  
441/129  
D711,488 S 8/2014 Lau  
D719,630 S 12/2014 Berenson  
D766,393 S \* 9/2016 Lau ..... D21/803  
D794,738 S 8/2017 Peterson  
D803,965 S 8/2017 Peterson  
D816,179 S 4/2018 de Grasse  
(Continued)

(21) Appl. No.: **29/655,765**

(22) Filed: **Jul. 6, 2018**

(30) **Foreign Application Priority Data**

Jan. 10, 2018 (CN) ..... 201830010553.4

(51) **LOC (12) Cl.** ..... **21-02**

(52) **U.S. Cl.**  
USPC ..... **D21/803**

(58) **Field of Classification Search**  
USPC ..... D6/597-599, 601; D12/316; D21/803,  
D21/805, 806, 808, 809; D24/193-195  
CPC ..... A47D 15/001  
See application file for complete search history.

(56) **References Cited**

**U.S. PATENT DOCUMENTS**

D306,474 S \* 3/1990 Scheurer ..... D21/809  
D308,403 S \* 6/1990 LaForce, Jr. .... D12/316  
D313,452 S \* 1/1991 Overton ..... D12/316  
D349,145 S \* 7/1994 Haughey ..... D21/809  
D371,252 S 7/1996 Chaput  
D384,721 S \* 10/1997 Peterson ..... D21/809  
D407,230 S 3/1999 Lieberman  
D466,176 S \* 11/2002 Peterson ..... D21/803  
D485,593 S 1/2004 Muci  
D490,493 S 1/2004 Muci  
D490,134 S 5/2004 Peterson  
D501,112 S \* 1/2005 Kasatshko ..... D21/809  
D513,915 S \* 1/2006 Jacklin ..... D21/809

**OTHER PUBLICATIONS**

Poolmaster 85687 Adjustable Chaise Lounge Poolmaster: Published Sep. 12, 2009 [online], site visited Apr. 23, 2019. Available from Internet URL: [https://www.amazon.com/dp/B0007P2PRO/ref=cm\\_sw\\_r\\_tw\\_dp\\_U\\_x\\_yD4VCb70J7WGD](https://www.amazon.com/dp/B0007P2PRO/ref=cm_sw_r_tw_dp_U_x_yD4VCb70J7WGD) (Year: 2016).\*

(Continued)

*Primary Examiner* — Jack Reickel  
*Assistant Examiner* — Melvin L Davis  
(74) *Attorney, Agent, or Firm* — Faegre Baker Daniels LLP

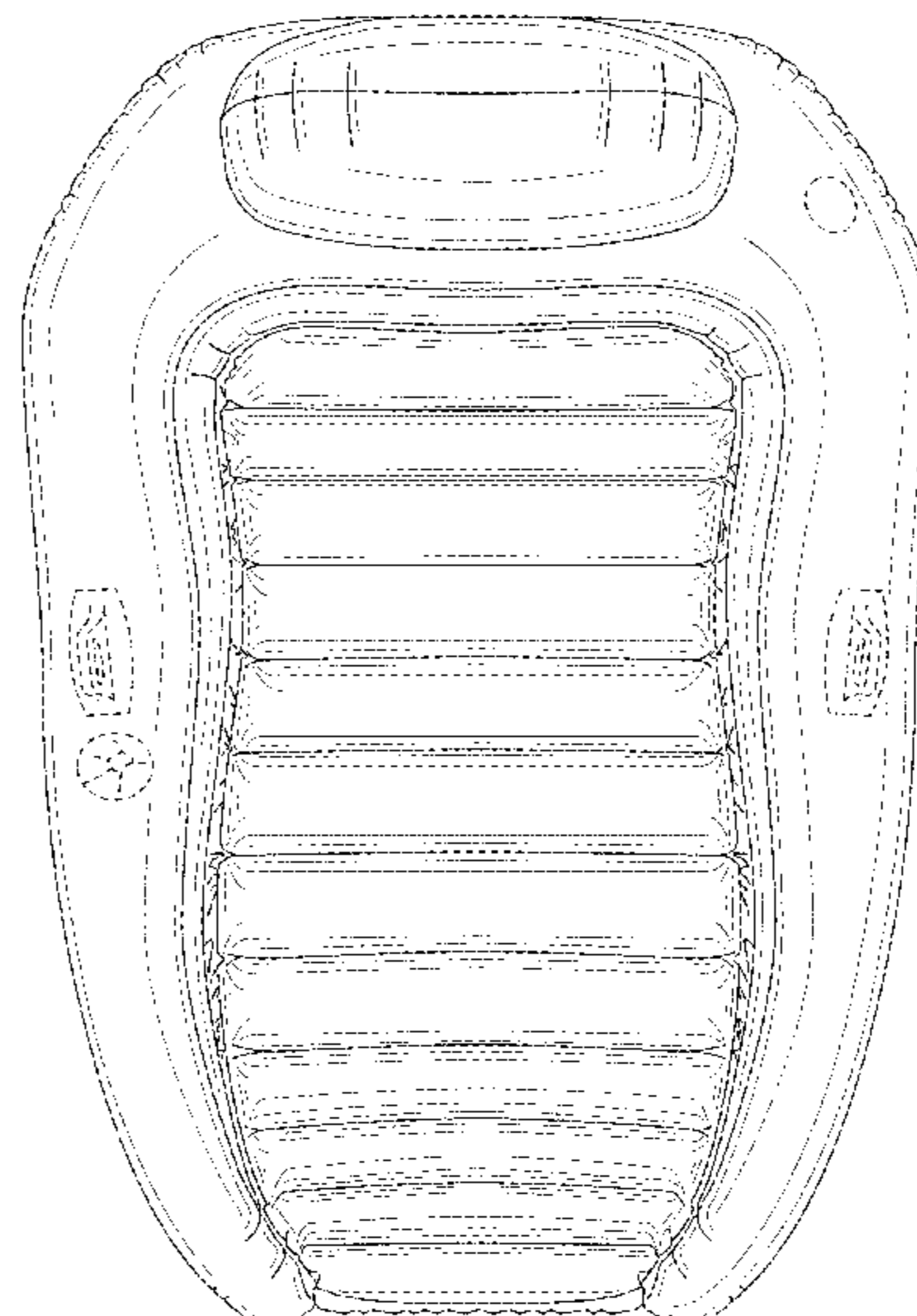
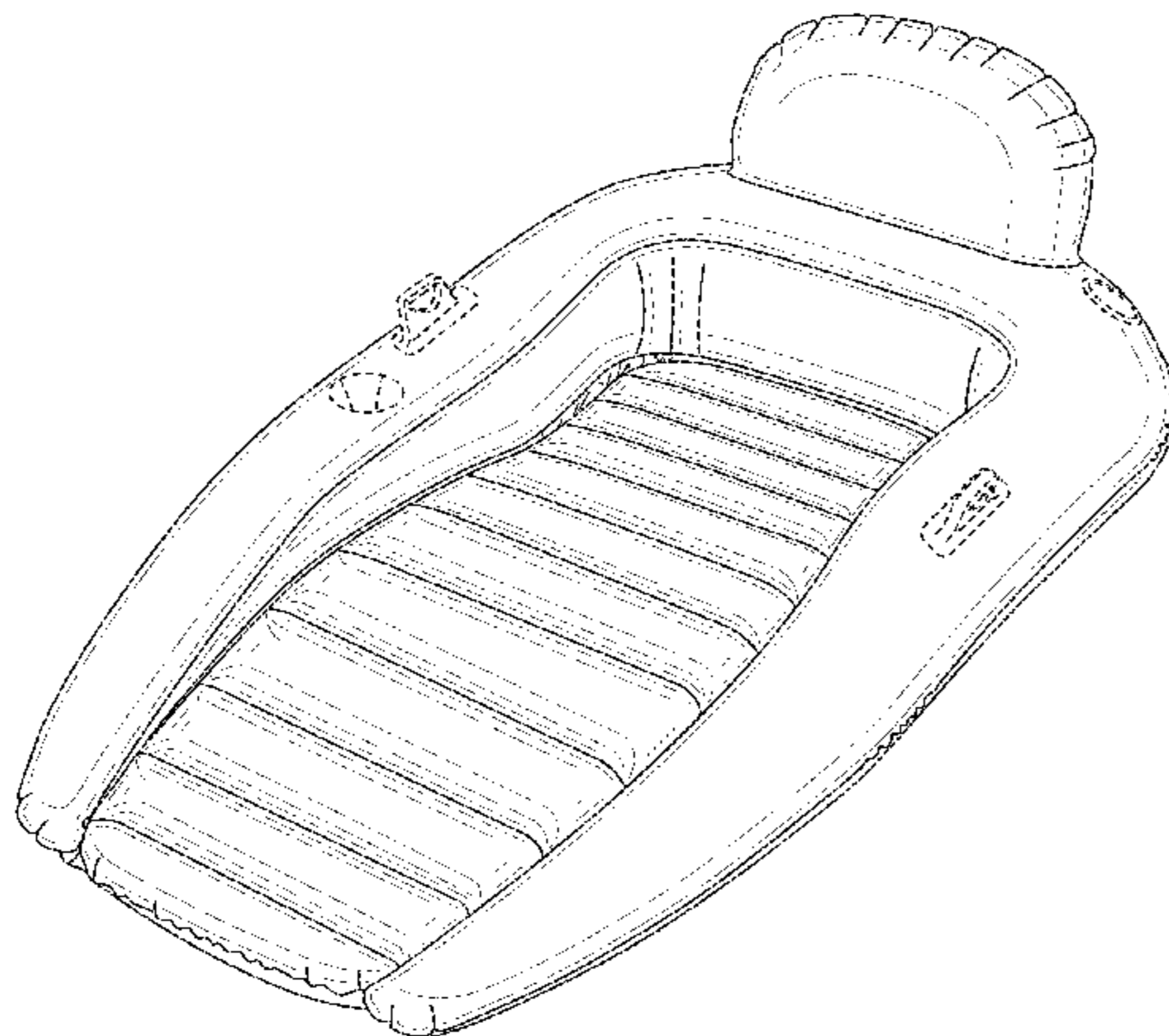
(57) **CLAIM**

We claim the ornamental design for an inflatable U-shaped chair, as shown and described.

**DESCRIPTION**

FIG. 1 is a perspective view of an inflatable U-shaped chair; FIG. 2 is a top plan view thereof; FIG. 3 is a bottom plan view thereof; FIG. 4 is a front elevational view thereof; FIG. 5 is a rear elevational view thereof; FIG. 6 is a left side elevational view thereof; and, FIG. 7 is a right side elevational view thereof. The broken lines in FIGS. 1-7 represent portions of the inflatable U-shaped chair that form no part of the claimed design.

**1 Claim, 6 Drawing Sheets**



(56)

**References Cited**

U.S. PATENT DOCUMENTS

D819,152 S \* 5/2018 Liu ..... D21/803  
D821,521 S \* 6/2018 Peterson ..... D21/803  
D842,626 S \* 3/2019 Zanki ..... D6/601

OTHER PUBLICATIONS

Solstice by Swimline Malibu Mattress Swimline: Published Jul. 10, 2014 [online], site visited Apr. 23, 2019. Available from Internet URL: [https://www.amazon.com/dp/B00IPOQ80O/ref=cm\\_sw\\_r\\_tw\\_dp\\_U\\_x\\_1P5VCbWQ7QMA7](https://www.amazon.com/dp/B00IPOQ80O/ref=cm_sw_r_tw_dp_U_x_1P5VCbWQ7QMA7) (Year: 2016).\*

\* cited by examiner

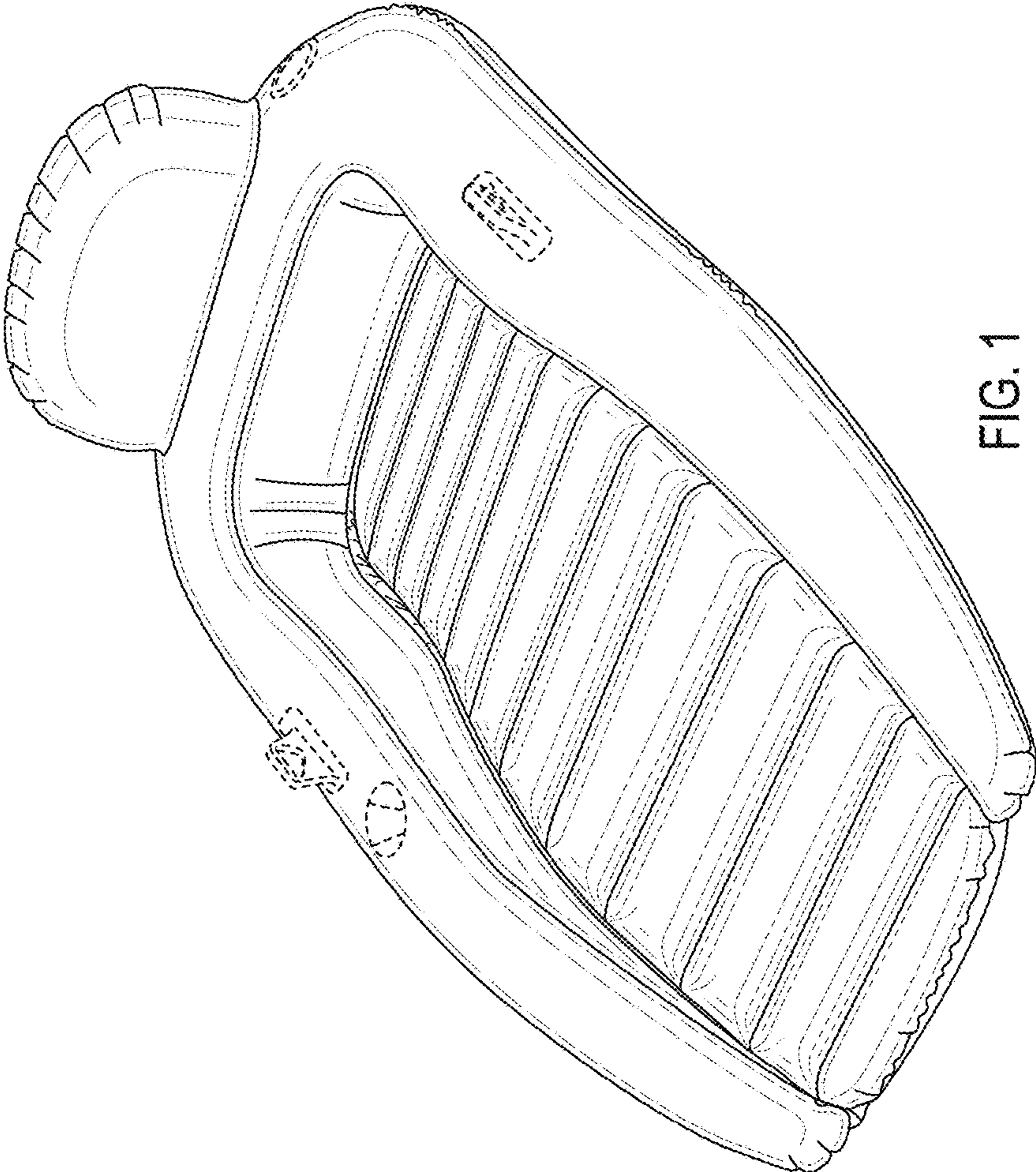


FIG. 1

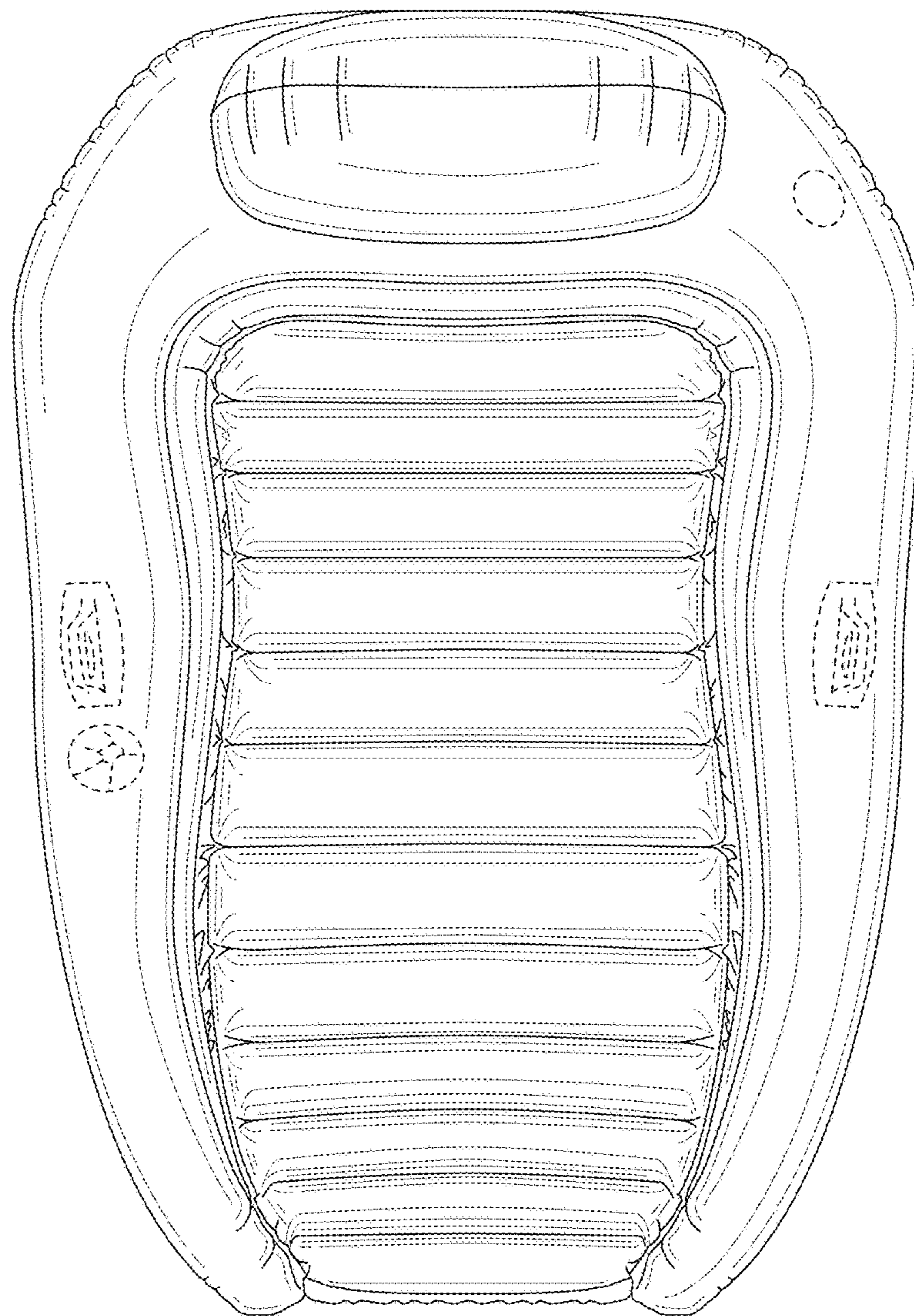


FIG. 2

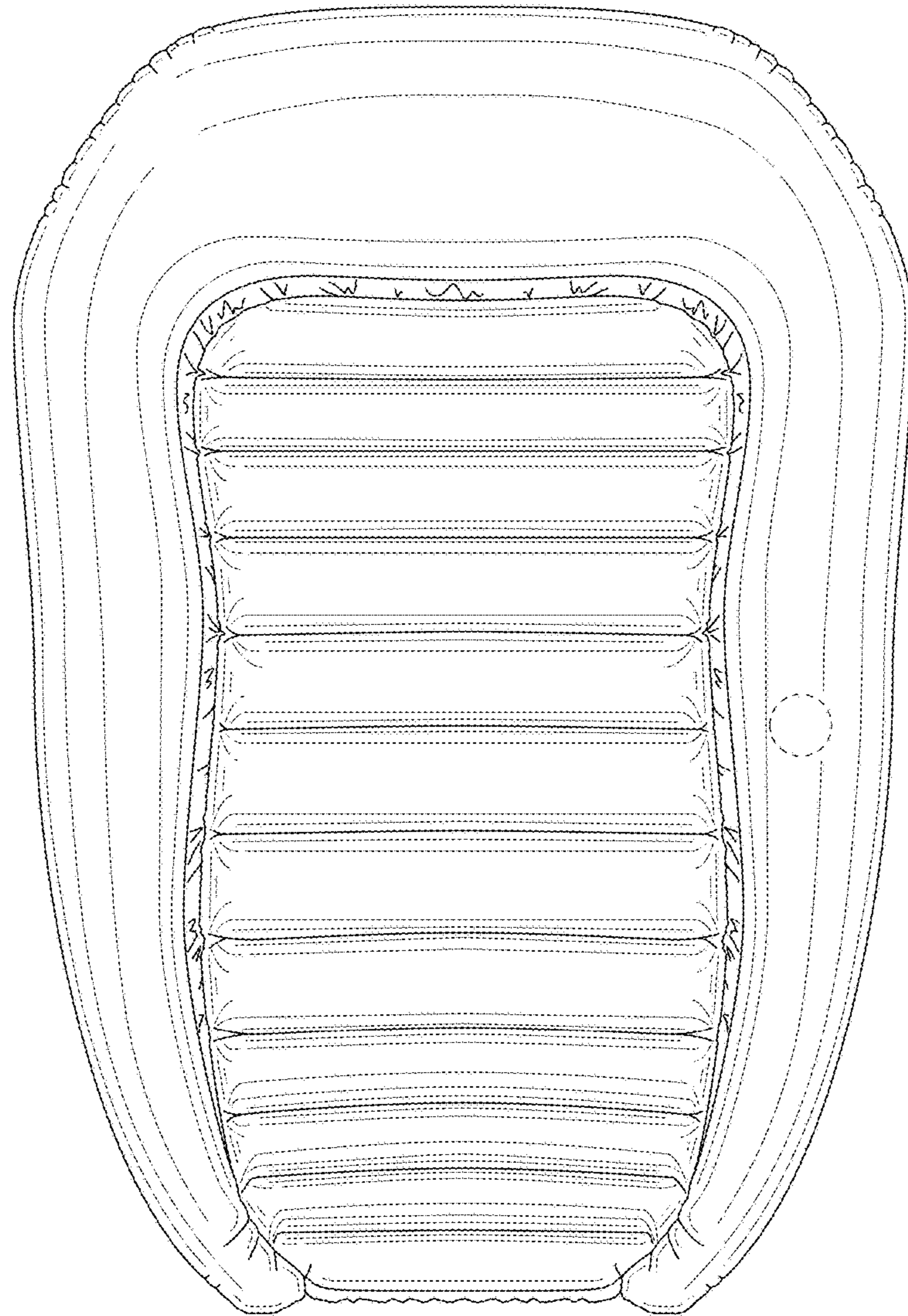


FIG. 3

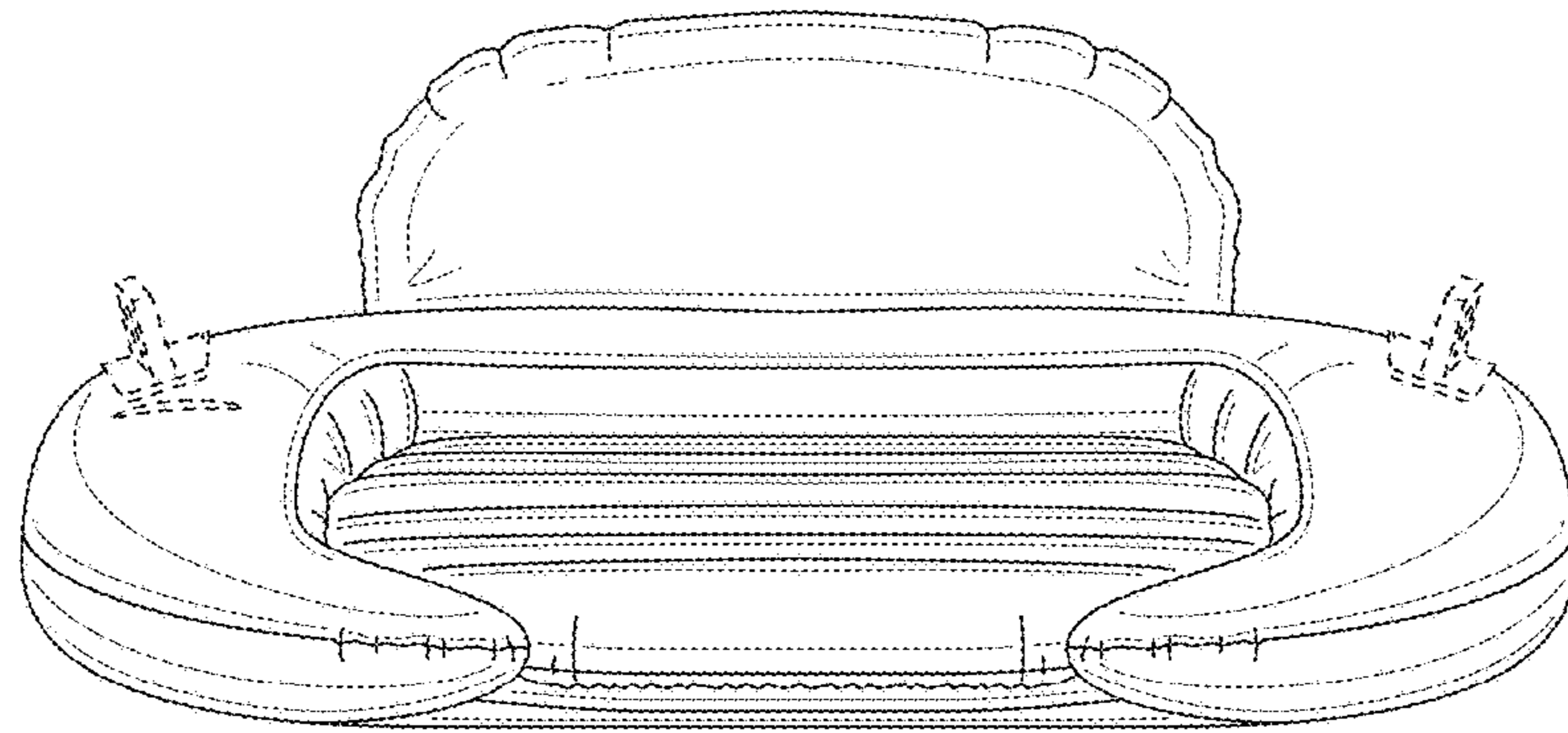


FIG. 4

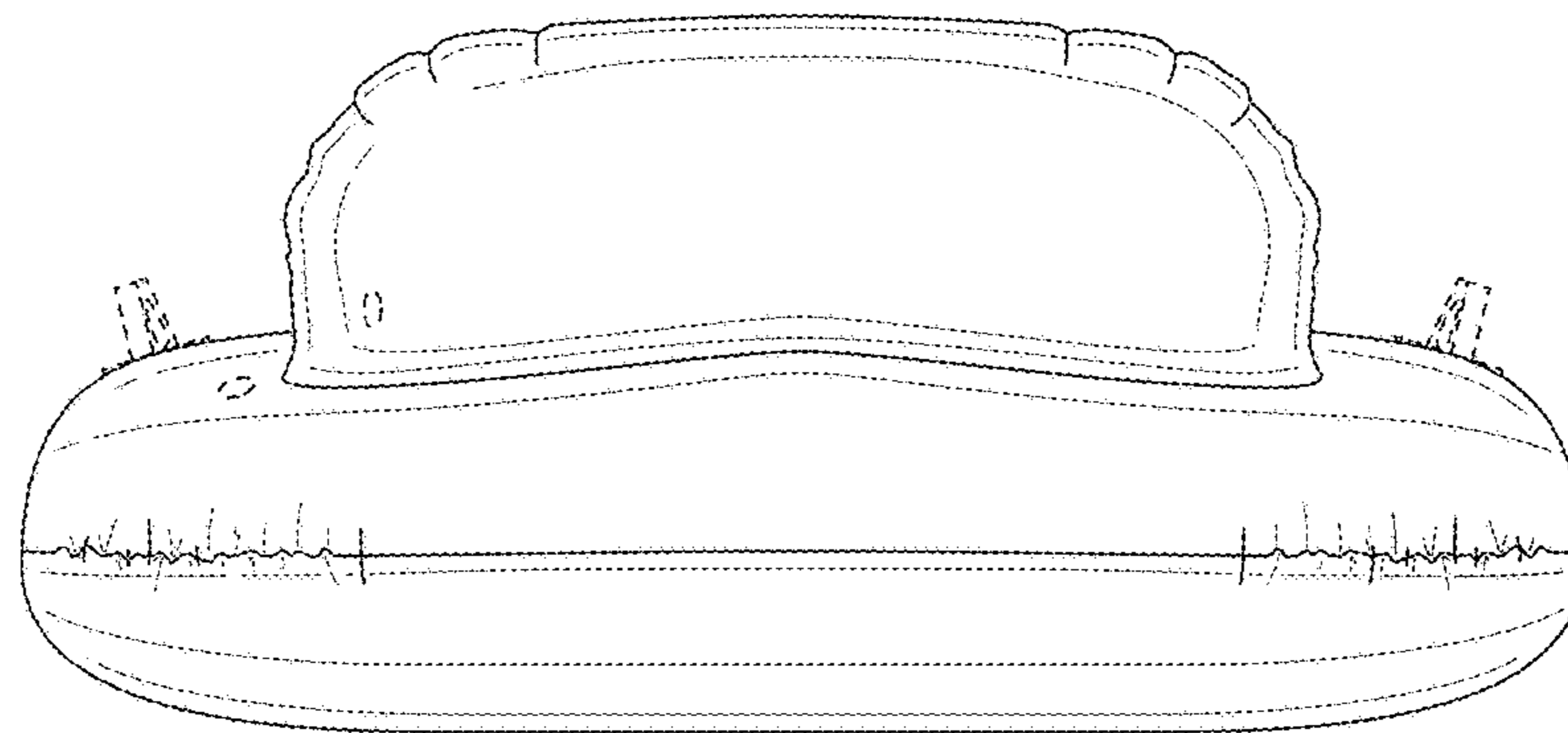


FIG. 5

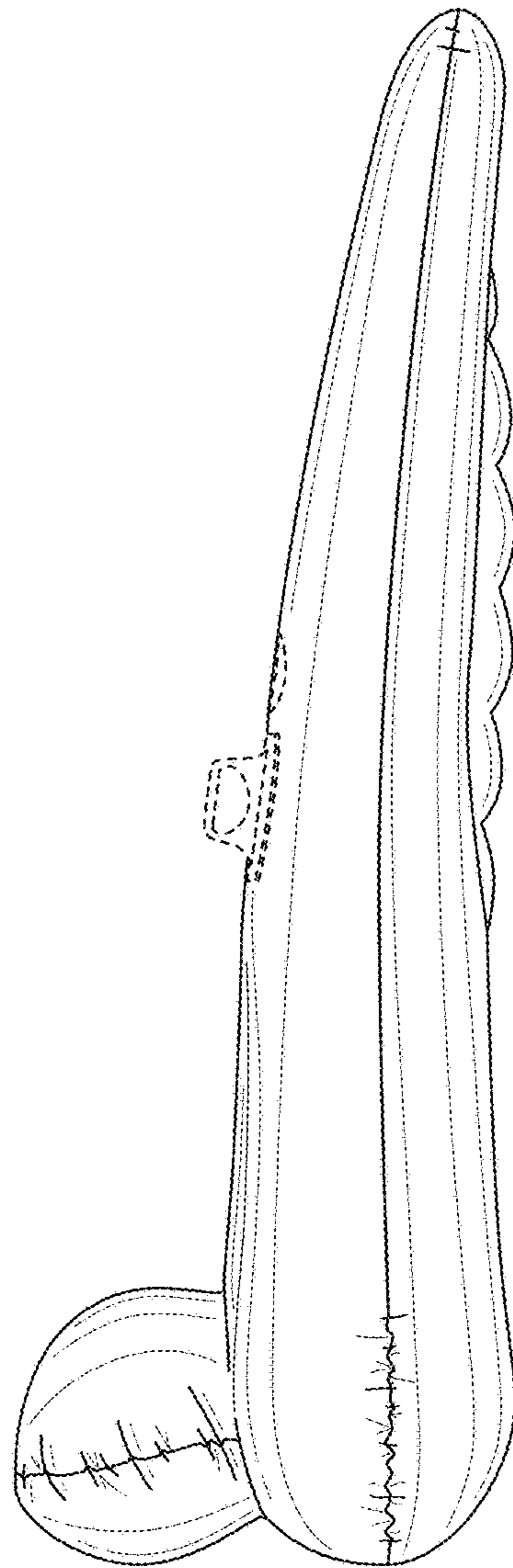


FIG. 6

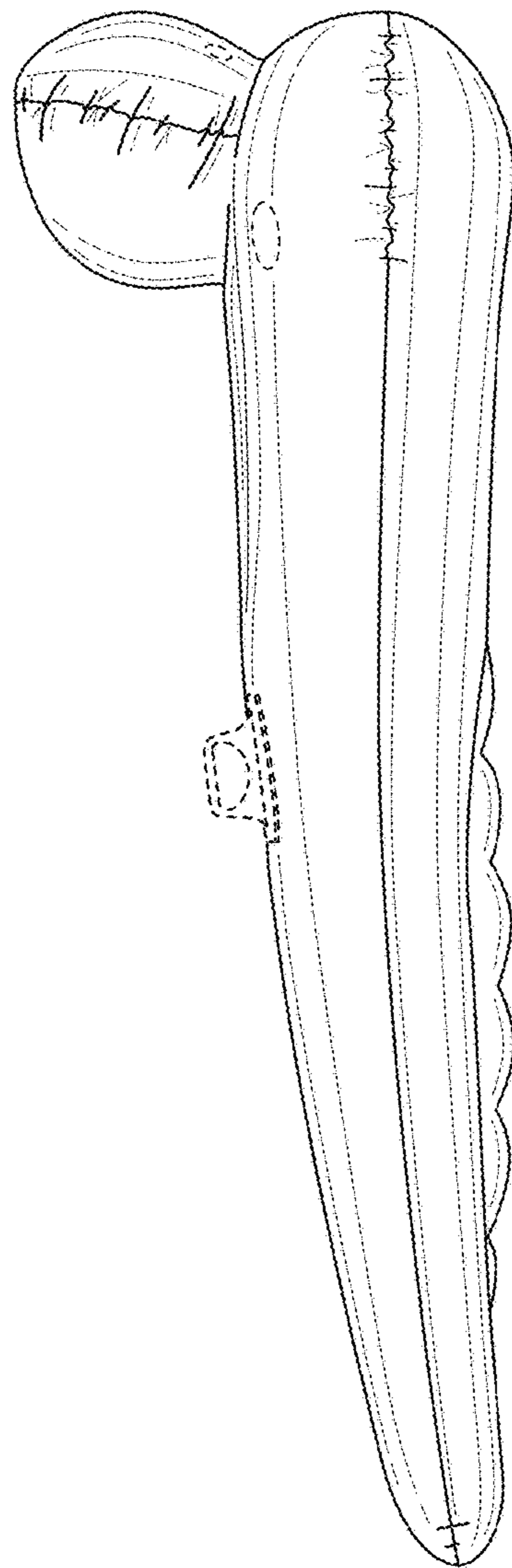


FIG. 7