

US00D862620S

(12) **United States Design Patent**
Hamilton

(10) **Patent No.:** **US D862,620 S**
(45) **Date of Patent:** **** Oct. 8, 2019**

(54) **FOOTBALL TRAINING DEVICE**

3,918,712 A * 11/1975 Fey A63B 69/0079
473/575

(71) Applicant: **Hamilton Management Group Limited**, Hitchin, Herts (GB)

4,204,678 A 5/1980 Weis
4,307,888 A * 12/1981 Ohle A63B 69/0091
473/429

(72) Inventor: **Anthony Hamilton**, Hitchin (GB)

(Continued)

(73) Assignee: **HAMILTON MANAGEMENT GROUP LIMITED**, Hitchin (GB)

FOREIGN PATENT DOCUMENTS

(**) Term: **15 Years**

CH 566151 A5 9/1975
DE 1578564 A1 7/1970

(Continued)

(21) Appl. No.: **29/580,633**

Primary Examiner — Michael A. Pratt
Assistant Examiner — Wendy L Arminio

(22) Filed: **Oct. 11, 2016**

(74) *Attorney, Agent, or Firm* — Knobbe, Martens, Olson & Bear LLP

(30) **Foreign Application Priority Data**

Apr. 11, 2016 (EM) 001448344

(51) **LOC (12) Cl.** **21-02**

(57) **CLAIM**

(52) **U.S. Cl.**
USPC **D21/719**

The ornamental design for a football training device, as shown and described.

(58) **Field of Classification Search**
USPC D21/698, 699, 705, 707-709, 713-718,
D21/722, 780, 787-789, 791, 799.1, 804,
D21/719
CPC ... A63B 37/00; A63B 37/0022; A63B 37/001;
A63B 37/0011; A63B 37/12; A63B
37/14; A63B 39/00; A63B 39/06; A63B
41/00; A63B 43/00; A63B 43/008; A63B
43/02; A63B 43/06; A63B 47/00; A63B
57/20; A63B 59/20; A63B 63/00; A63B
2063/001; A63B 67/10; A63B 2069/0008;
A63B 69/002; A63B 69/345; A63B
69/34; A63B 69/201; A63B 69/205; A63B
71/14; A63B 71/143; A63B 71/145; A65B
69/00

DESCRIPTION

See application file for complete search history.

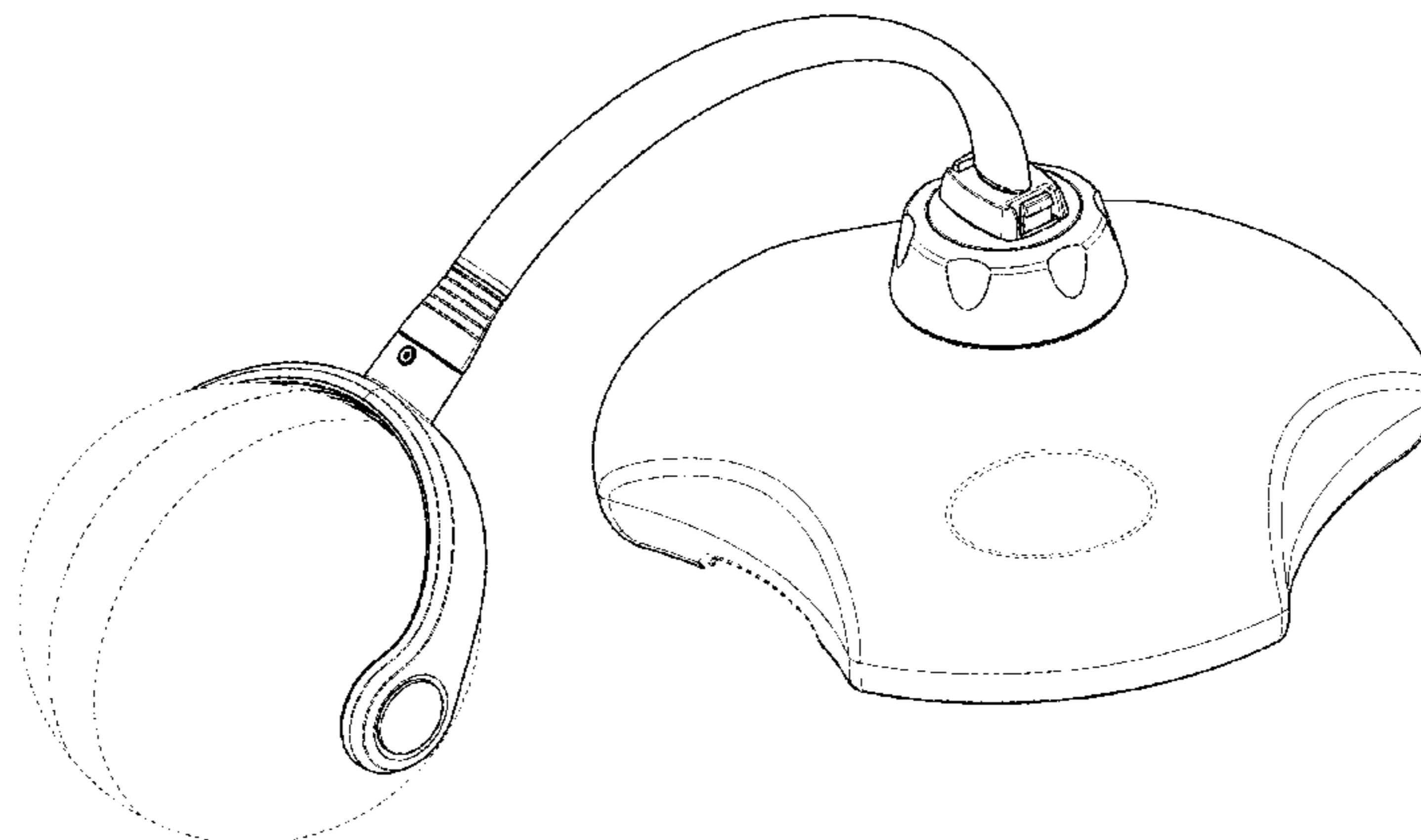
FIG. 1 is a perspective view of a football training device.
FIG. 2 is a front view of the football training device of FIG. 1.
FIG. 3 is a back view of the football training device of FIG. 1.
FIG. 4 is a top side view of the football training device of FIG. 1.
FIG. 5 is a bottom side view of the football training device of FIG. 1.
FIG. 6 is a left view of the football training device of FIG. 1; and,
FIG. 7 is a right view of the football training device of FIG. 1.
The broken lines in the drawings depict portions of the football training device that form no part of the claimed design.

(56) **References Cited**

U.S. PATENT DOCUMENTS

2,578,313 A 12/1951 Moseley
3,498,613 A * 3/1970 Dreyer A63B 69/0079
473/147

1 Claim, 7 Drawing Sheets



(56)

References Cited

U.S. PATENT DOCUMENTS

4,460,172 A 7/1984 Hogan
 4,561,661 A * 12/1985 Walker A63B 69/0091
 473/423
 4,623,148 A 11/1986 Juhl
 4,915,384 A 4/1990 Bear
 4,989,867 A 2/1991 Herrick
 5,037,113 A * 8/1991 Sowards A63B 69/0091
 473/423
 5,203,558 A 4/1993 An
 5,249,810 A 10/1993 Cazalet
 5,280,922 A 1/1994 Jones
 5,386,988 A 2/1995 Sung et al.
 5,685,542 A 11/1997 Weis
 5,951,414 A 9/1999 Sowards
 6,199,804 B1 3/2001 Donofrio
 6,475,108 B1 * 11/2002 Sarenana, Sr. A63B 69/002
 273/127 R
 D500,544 S * 1/2005 Wu D21/791
 D539,366 S * 3/2007 Niksich D21/707
 7,214,136 B1 * 5/2007 Perry A63B 69/3655
 473/139
 7,662,067 B2 2/2010 Payne
 7,963,869 B2 6/2011 Boyer
 8,262,516 B2 * 9/2012 Fuentes A63B 69/0079
 473/422
 8,333,671 B1 12/2012 Wheelbarger et al.
 8,574,101 B2 11/2013 Wheelbarger et al.

8,753,233 B2 6/2014 Lay
 8,777,781 B2 7/2014 Marks
 8,784,239 B2 7/2014 Harvey et al.
 D715,386 S * 10/2014 Olsen D21/698
 8,932,155 B2 1/2015 Moore
 8,986,128 B2 * 3/2015 Brantingham A63B 69/0079
 139/279
 9,149,707 B2 10/2015 Cochran
 D750,184 S * 2/2016 Gordon D21/698
 10,065,099 B2 * 9/2018 Dagn A63B 69/38
 2006/0094543 A1 * 5/2006 Budaj A63B 23/04
 473/446
 2009/0286630 A1 * 11/2009 Aguirre A63B 69/002
 473/420
 2013/0053188 A1 2/2013 Moore
 2013/0337945 A1 12/2013 Marks et al.
 2015/0360107 A1 * 12/2015 Achkar A63B 69/002
 473/429
 2017/0333773 A1 * 11/2017 Hamilton A63B 69/002

FOREIGN PATENT DOCUMENTS

DE 202013001474 U1 3/2013
 ES 1112580 U 6/2014
 FR 2371213 A1 6/1978
 GB 2423722 9/2006
 WO WO 2012/087368 6/2012
 WO WO 2015/140385 9/2015
 WO WO 2016/091827 6/2016

* cited by examiner

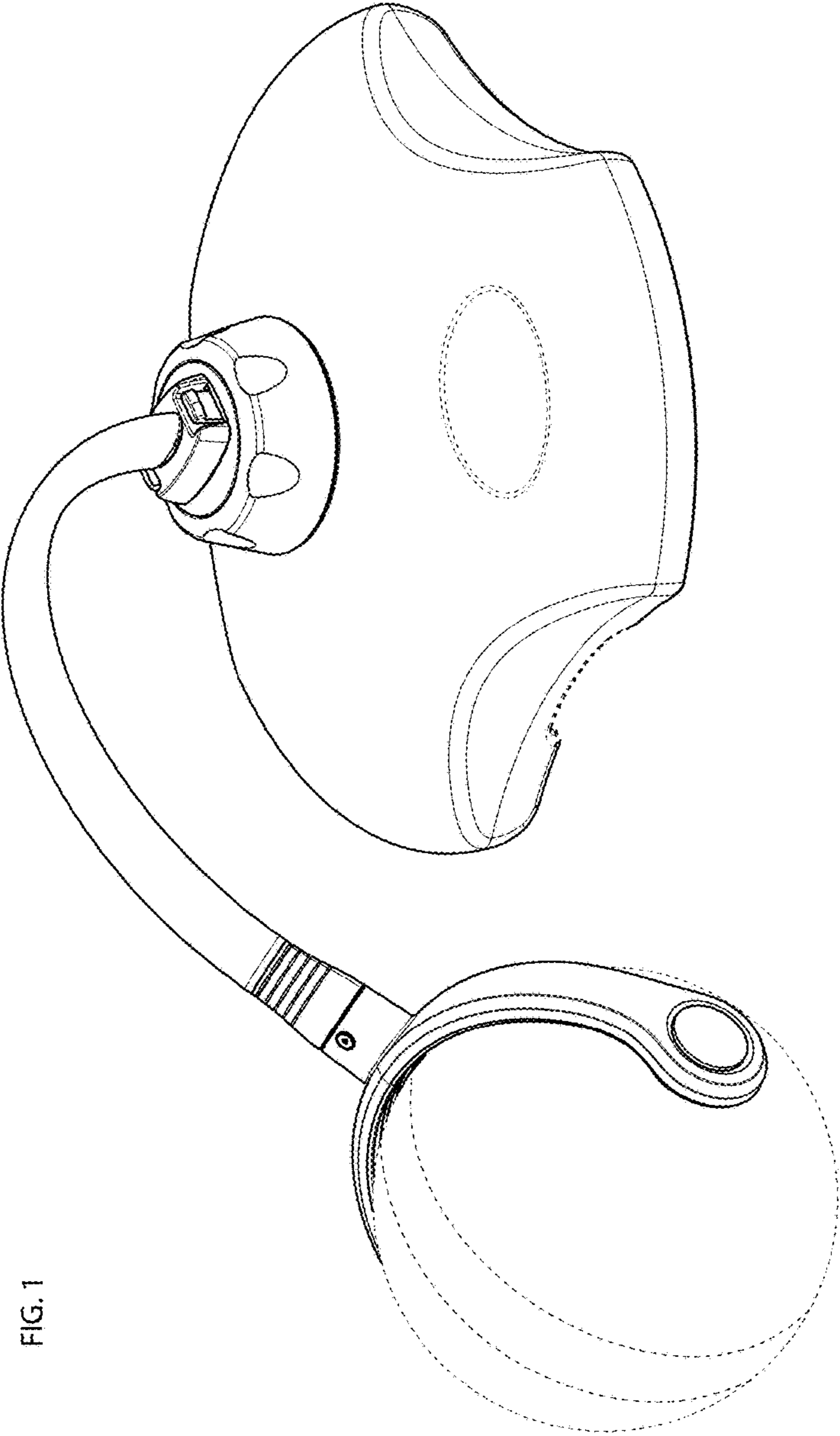


FIG. 1

FIG. 2

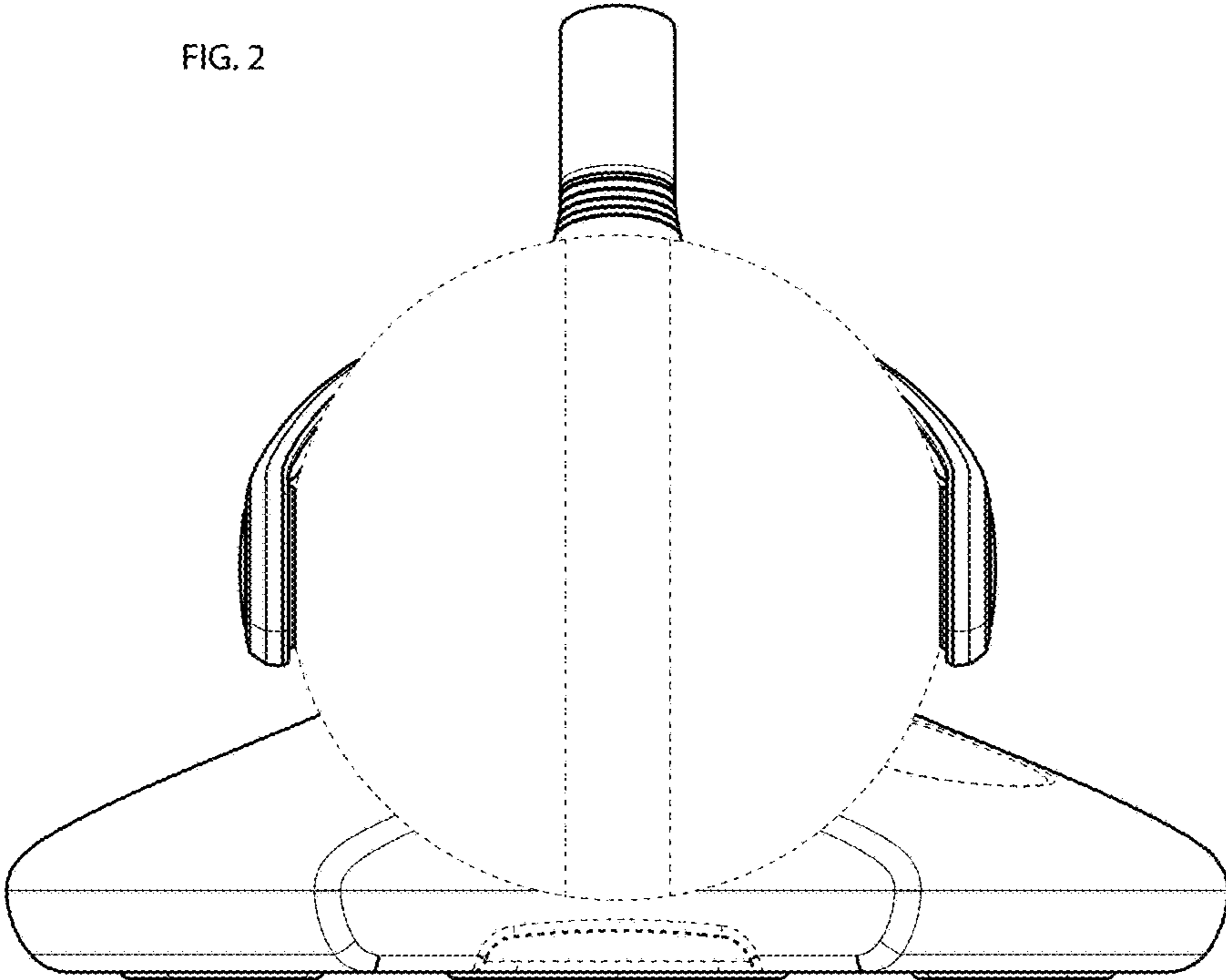
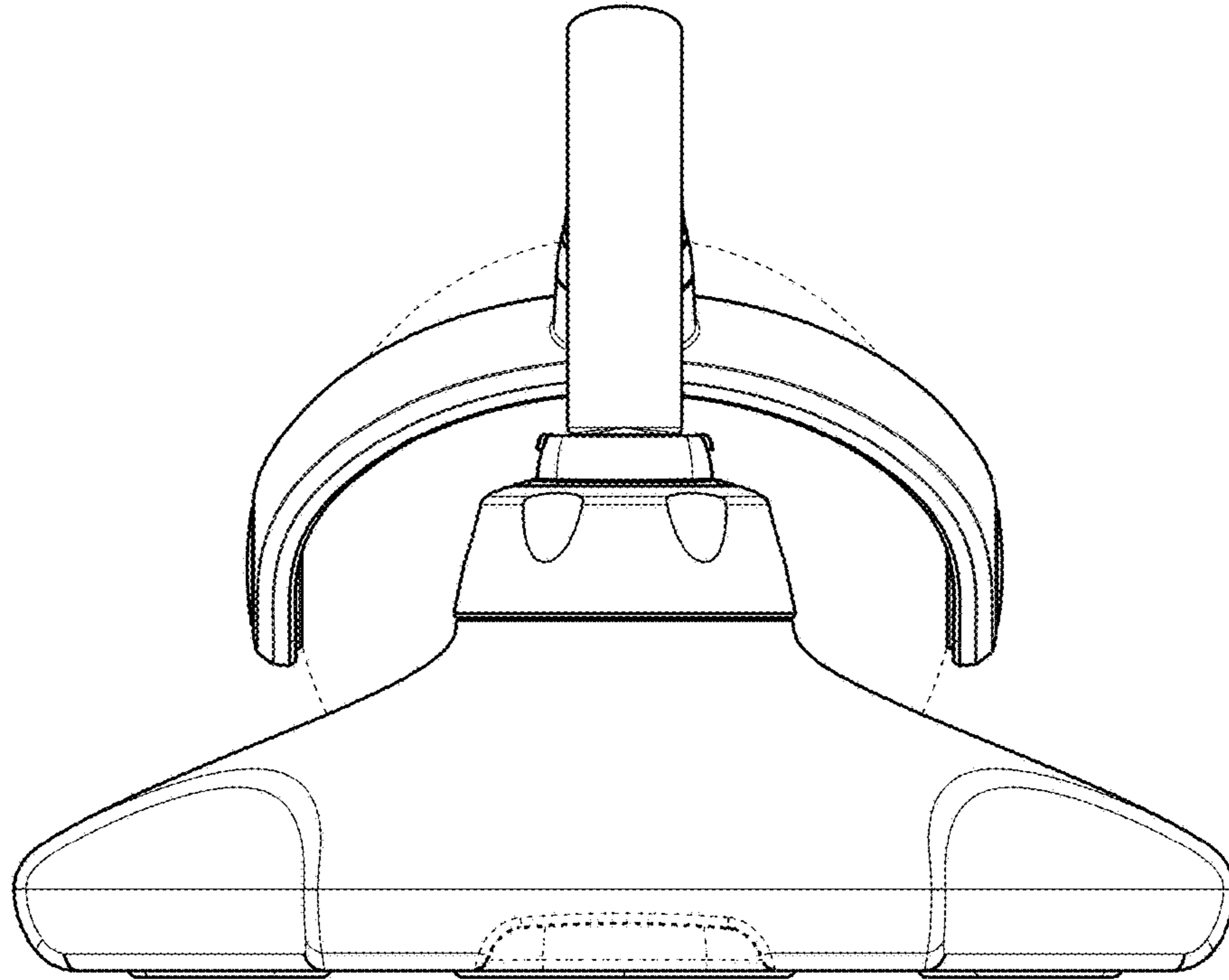


FIG. 3



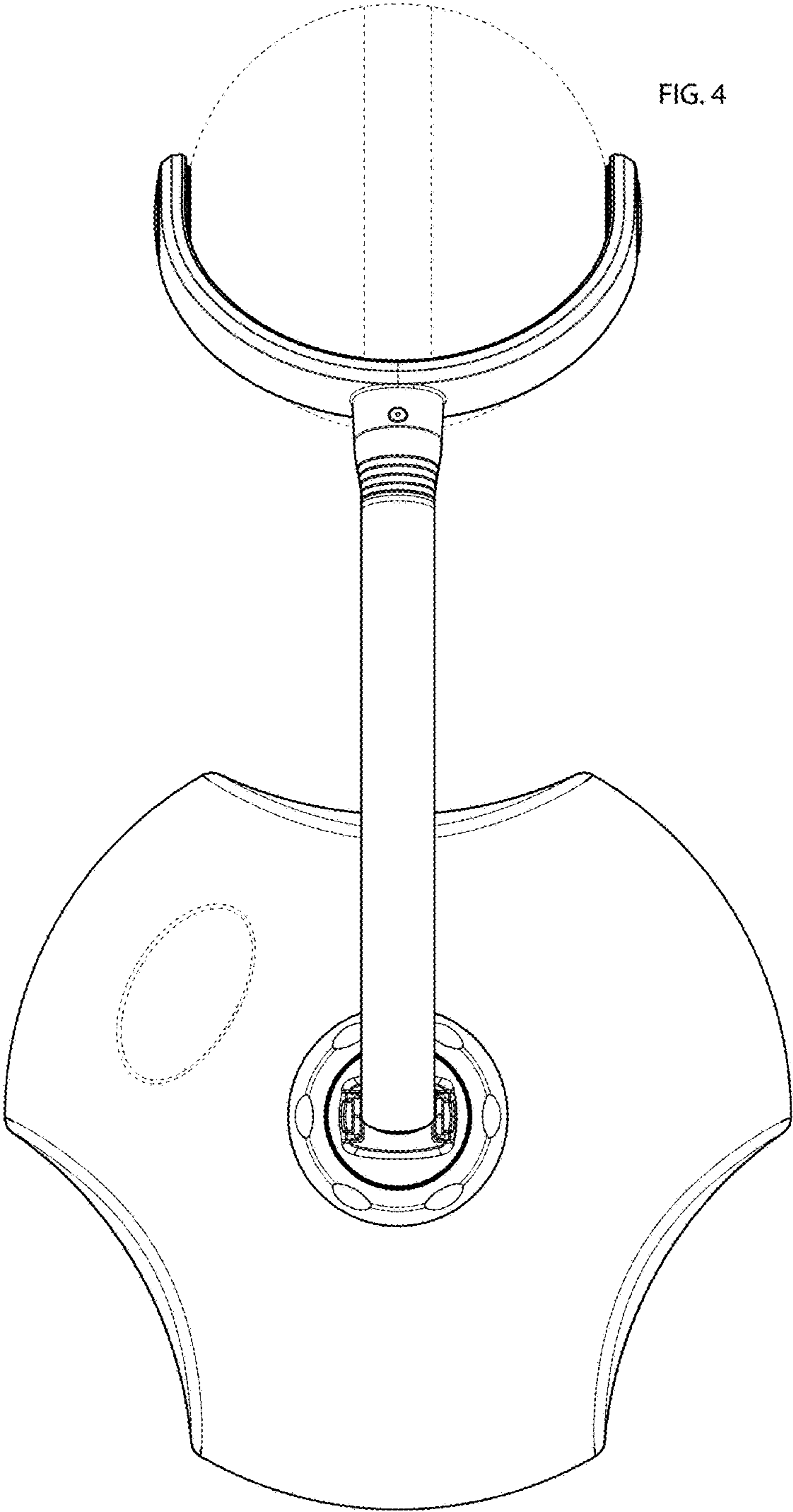


FIG. 4

FIG. 5

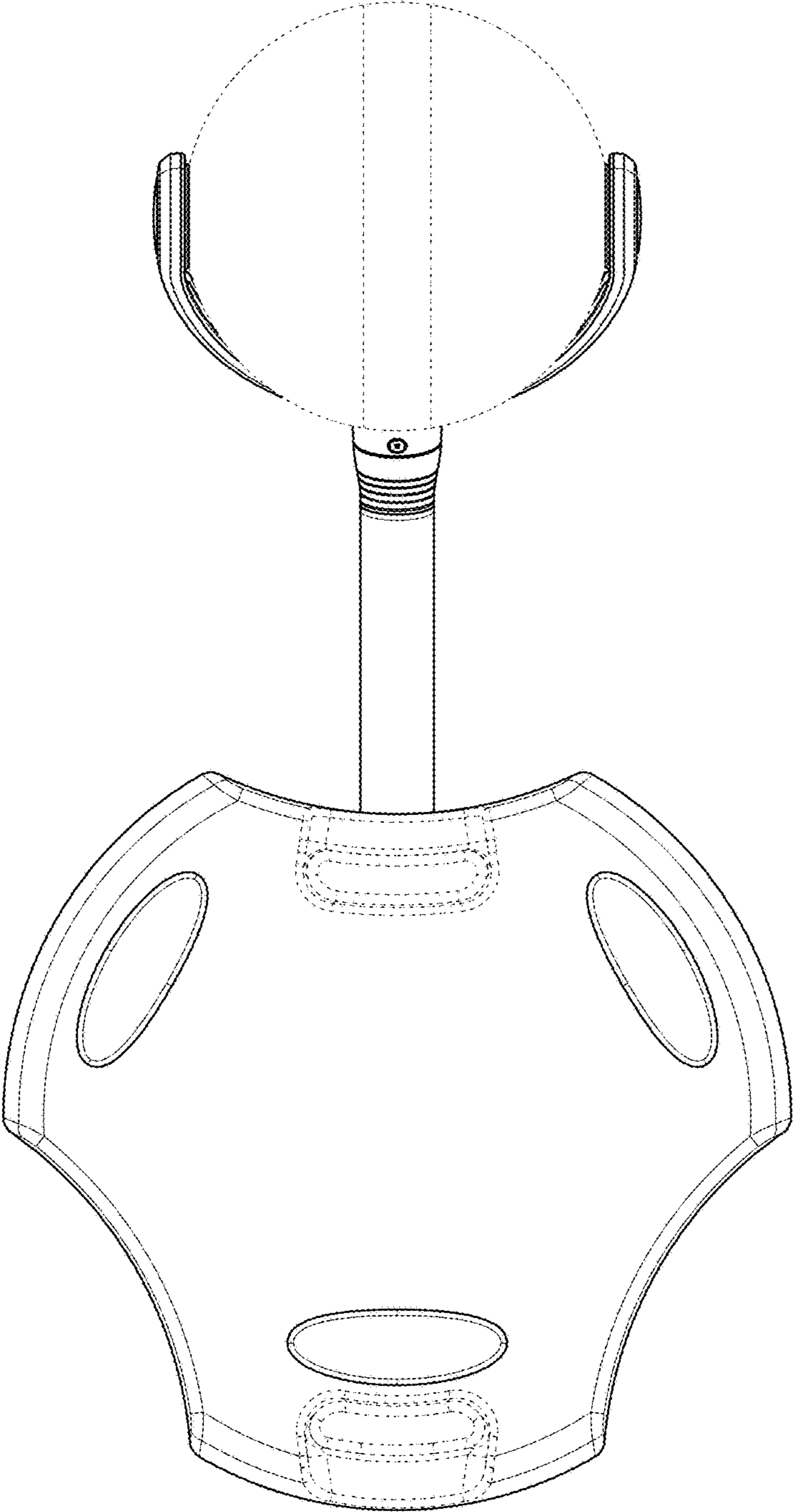


FIG. 6

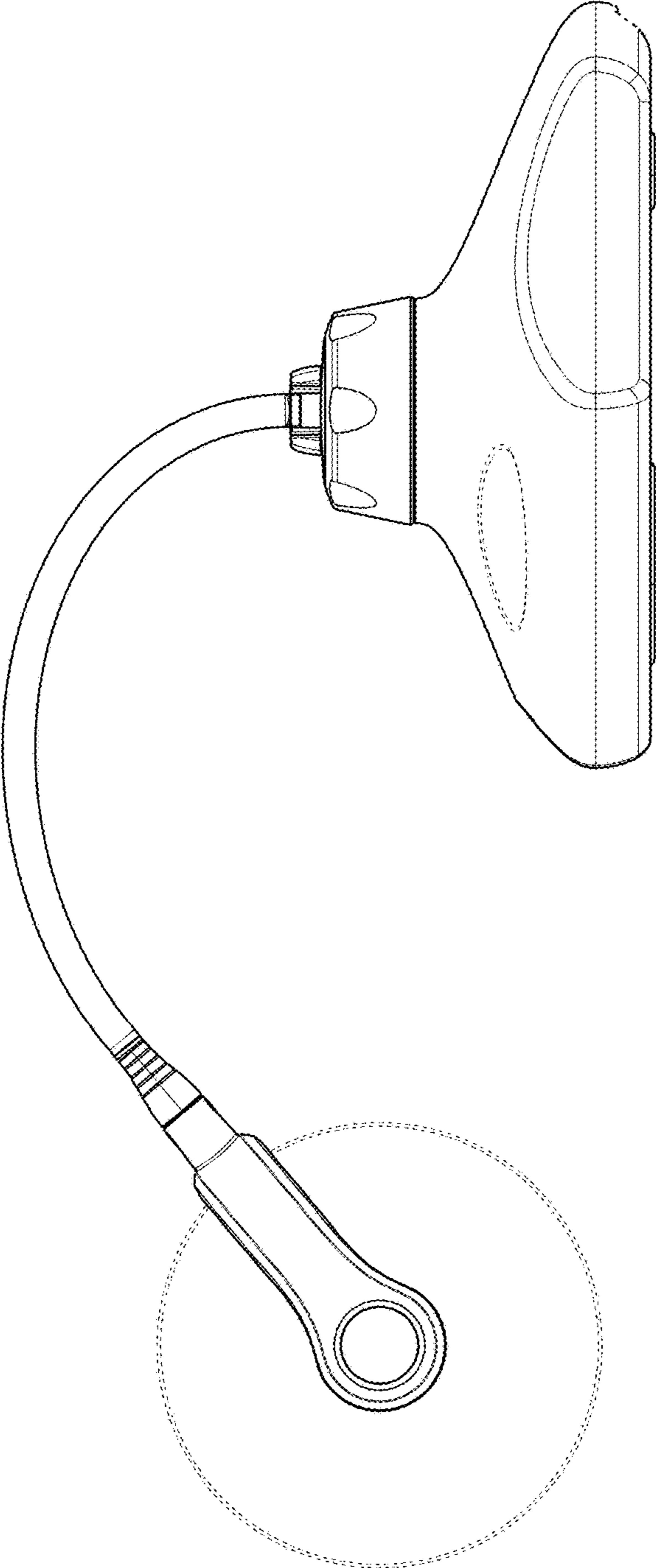


FIG. 7

