

US00D862618S

(12) **United States Design Patent**
Gagnon et al.

(10) **Patent No.:** **US D862,618 S**

(45) **Date of Patent:** **** Oct. 8, 2019**

(54) **EXERCISE DEVICE**

(74) *Attorney, Agent, or Firm* — Quickpatents, LLC;
Kevin Prince

(71) Applicants: **Sean Gagnon**, Bernardsville, NJ (US);
Michael Glen Ritter, Mt. Laurel, NJ
(US); **Don Brown**, Williamsport, PA
(US)

(57) **CLAIM**

The ornamental design for an exercise device, as shown and described.

(72) Inventors: **Sean Gagnon**, Bernardsville, NJ (US);
Michael Glen Ritter, Mt. Laurel, NJ
(US); **Don Brown**, Williamsport, PA
(US)

DESCRIPTION

(**) Term: **15 Years**

(21) Appl. No.: **29/680,869**

(22) Filed: **Feb. 20, 2019**

Related U.S. Application Data

(63) Continuation of application No. 29/560,446, filed on
Apr. 6, 2016, now Pat. No. Des. 852,287.

(51) **LOC (12) Cl.** **21-02**

(52) **U.S. Cl.**
USPC **D21/680**

(58) **Field of Classification Search**
USPC D21/662, 686, 680, 788, 691, 824;
D12/608, 502, 507, 539, 577; 482/93
(Continued)

(56) **References Cited**

U.S. PATENT DOCUMENTS

D340,103 S * 10/1993 Nolan D21/824
D417,176 S * 11/1999 Esaias D12/608
(Continued)

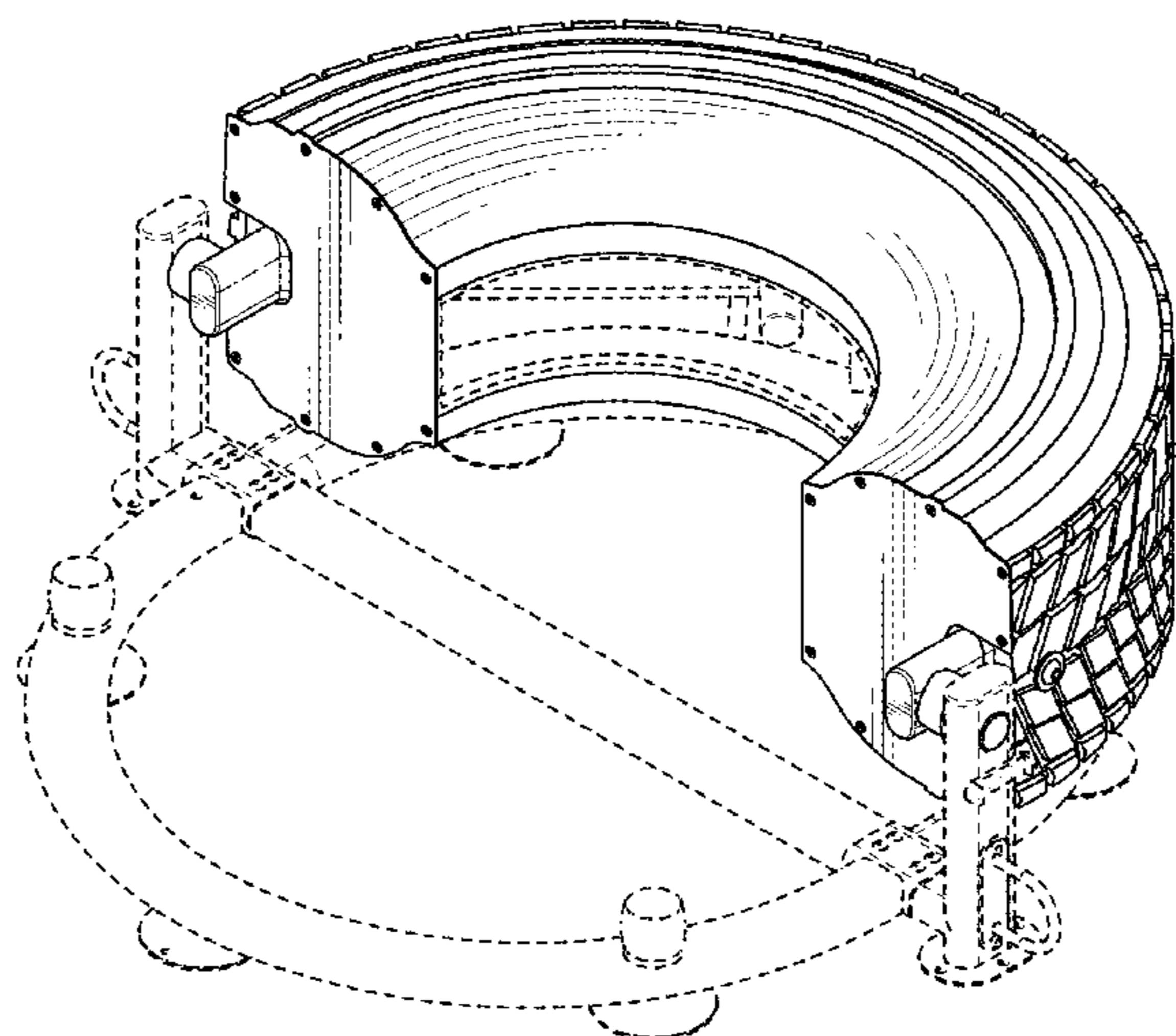
OTHER PUBLICATIONS

TireFlip by ABS dated no date given. Found online [Mar. 20, 2019].
<https://theabscompany.com/product/tireflip-180/>.*

FIG. 1 is a front perspective view of an exercise device, showing a first embodiment of our new design in a lowered position;
FIG. 2 is a rear perspective view of FIG. 1;
FIG. 3 is a front elevational view of FIG. 1;
FIG. 4 is a rear elevational view of FIG. 1;
FIG. 5 is a right-side elevational view of FIG. 1, the left-side elevational view being a mirror image thereof;
FIG. 6 is a top plan view of FIG. 1;
FIG. 7 is a bottom plan view of FIG. 1;
FIG. 8 is a right-side elevational view thereof in a raised position, the left-side elevational view being a mirror image thereof;
FIG. 9 is a front elevational view of FIG. 8, the rear elevational view being a mirror image thereof;
FIG. 10 is a front perspective view of a second embodiment thereof in the lowered position;
FIG. 11 is a rear perspective view of FIG. 10;
FIG. 12 is a front elevational view of FIG. 10;
FIG. 13 is a rear elevational view of FIG. 10;
FIG. 14 is a right-side elevational view of FIG. 10, the left-side elevational view being a mirror image thereof;
FIG. 15 is a top plan view of FIG. 10;
FIG. 16 is a bottom plan view of FIG. 10;
FIG. 17 is a right-side elevational view of the second embodiment in the raised position, the left-side elevational view being a mirror image thereof; and,
FIG. 18 is a front elevational view of FIG. 10, the rear elevational view being a mirror image thereof.
The broken lines depict portions of the exercise device that form no part of the claimed design.

Primary Examiner — Ryan Harvey

1 Claim, 8 Drawing Sheets



US D862,618 S

Page 2

(58) **Field of Classification Search**

CPC ... A63B 21/072; A63B 21/06; A63B 23/0405;
A63B 21/0004; A63B 2208/0204; A63B
21/0407; A63B 21/0615; A63B 21/0618;
A63B 21/4047

See application file for complete search history.

(56) **References Cited**

U.S. PATENT DOCUMENTS

D462,098 S 8/2002 Fazeli
D476,705 S 7/2003 Dillard
D626,607 S 11/2010 Kim
D667,903 S 9/2012 Chiu
D688,755 S 8/2013 Driessen
D731,600 S * 6/2015 Bouckaert D21/662
D751,655 S * 3/2016 Januszek D21/662
9,717,941 B2 8/2017 Gagnon
D800,233 S * 10/2017 Januszek D21/662

D802,063 S * 11/2017 Nelson D21/680
D806,185 S * 12/2017 Ross D21/662
D807,442 S * 1/2018 Ross D21/662
9,950,207 B2 4/2018 Haddad
D816,783 S 5/2018 Miller
D817,417 S 5/2018 Neal
D817,429 S * 5/2018 Adkisson D21/788
10,022,580 B2 * 7/2018 Tyree A63B 21/0616
D831,760 S * 10/2018 Safranka D21/686
10,105,570 B1 * 10/2018 Carlisle A63B 21/0602
D837,909 S 1/2019 Noback
D838,788 S 1/2019 Noback
D843,521 S * 3/2019 Haddad D21/691
2015/0165258 A1 * 6/2015 Januszek A63B 21/06
482/93
2016/0361585 A1 * 12/2016 Gagnon A63B 21/4023
2017/0014668 A1 * 1/2017 Haddad A63B 21/4035
2017/0252605 A1 9/2017 Siqueira
2018/0015318 A1 * 1/2018 Nelson A63B 21/0601

* cited by examiner

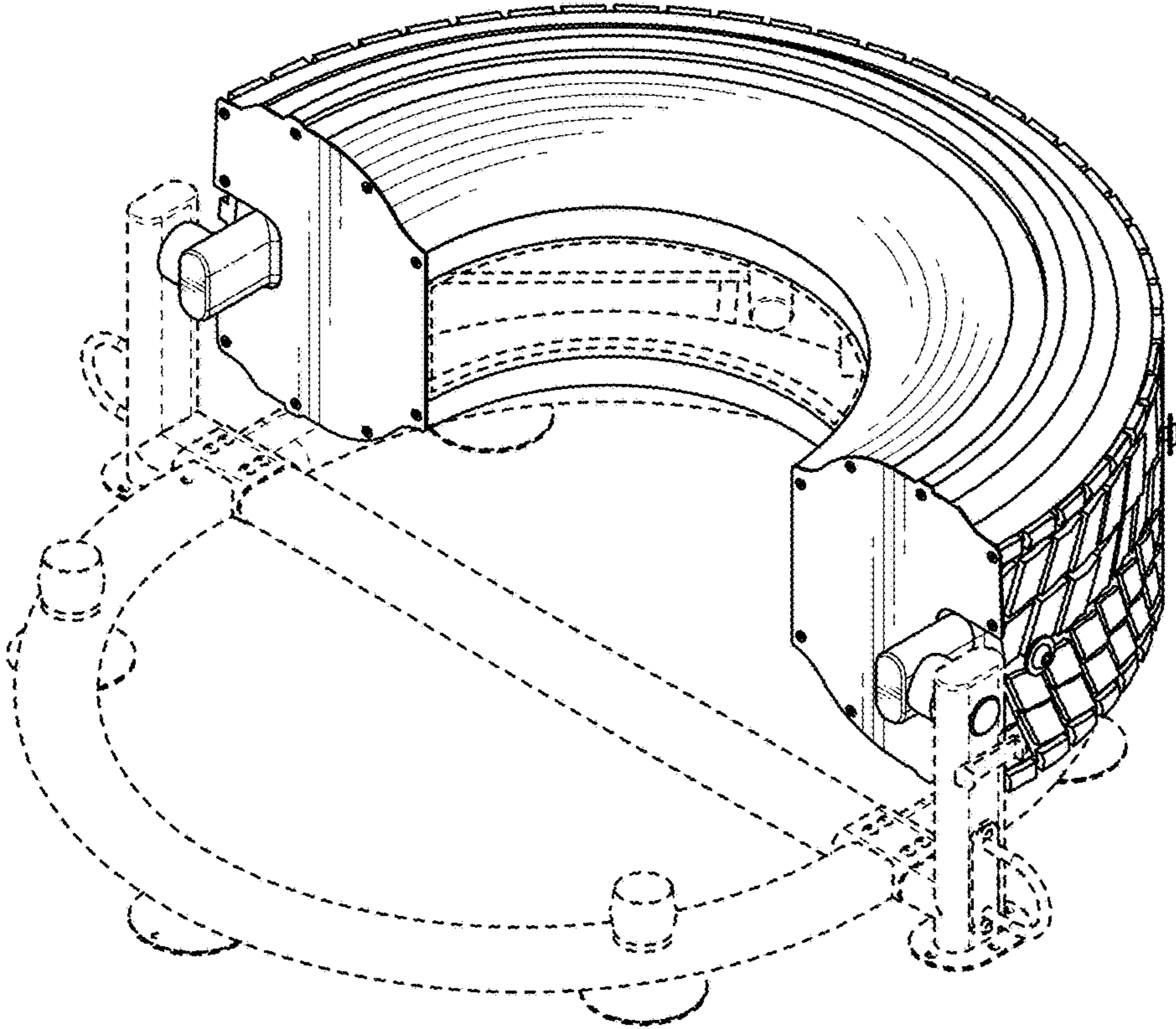


FIG. 1

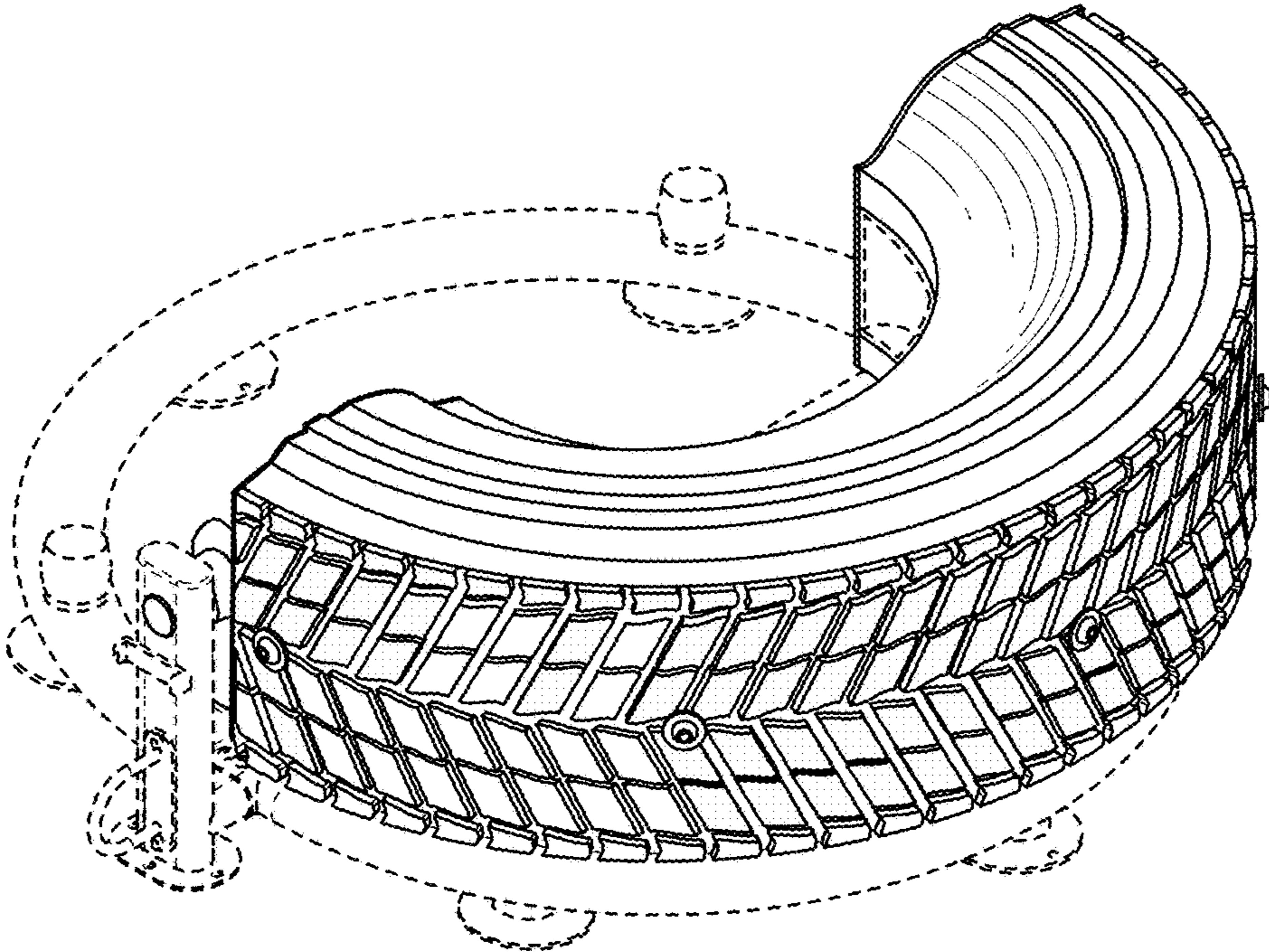


FIG. 2

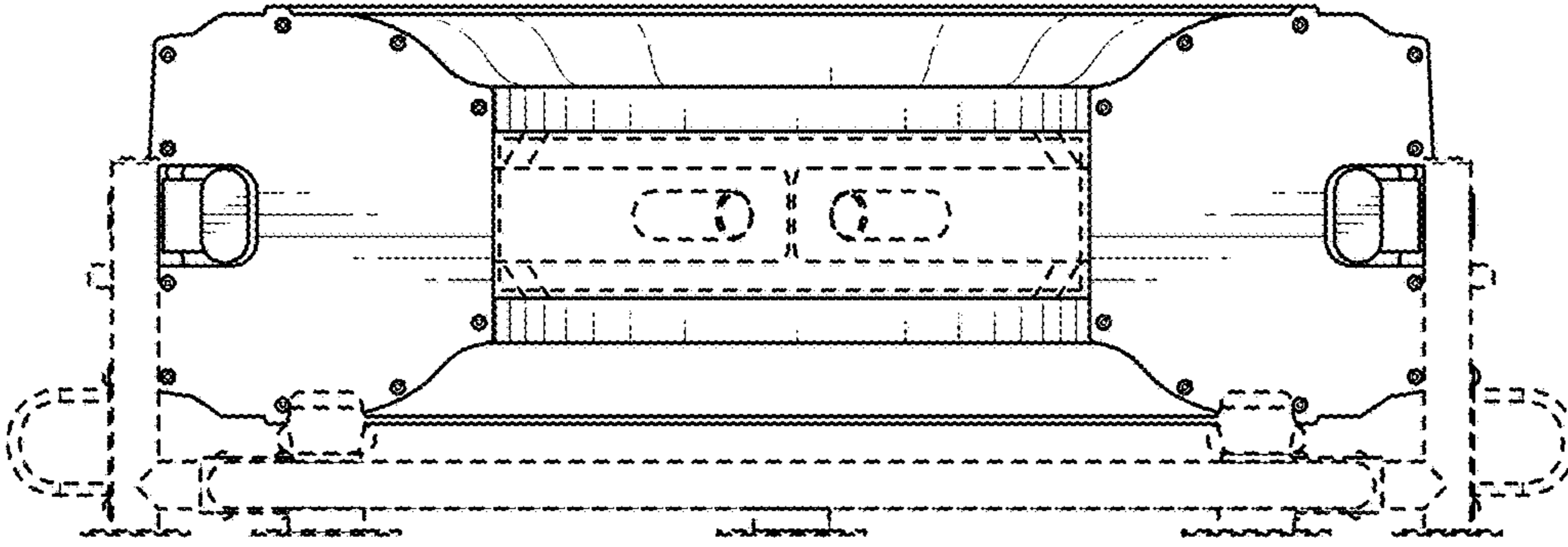


FIG. 3

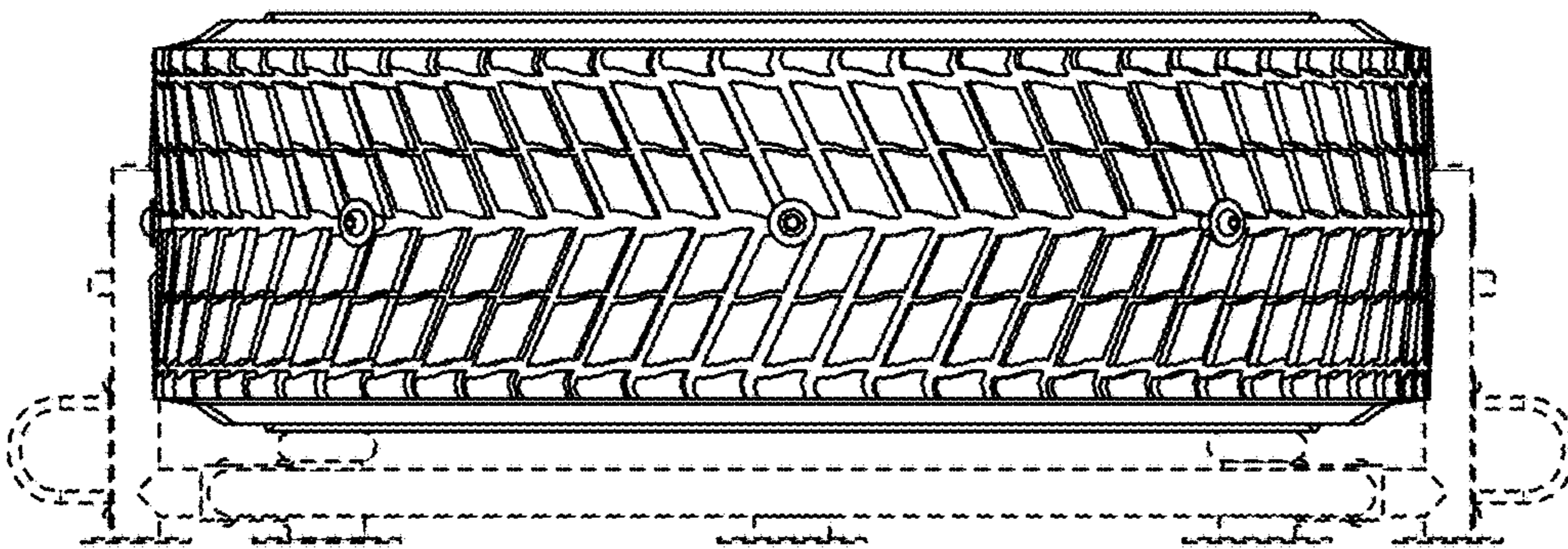


FIG. 4

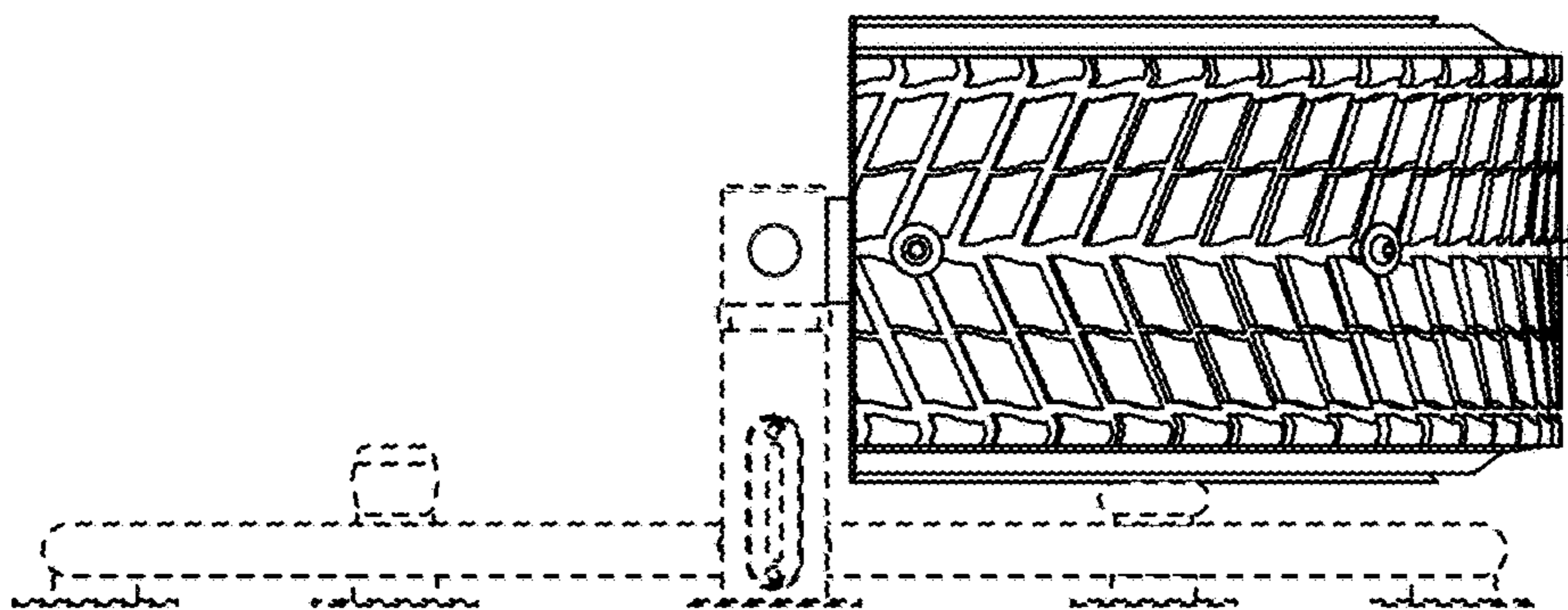


FIG. 5

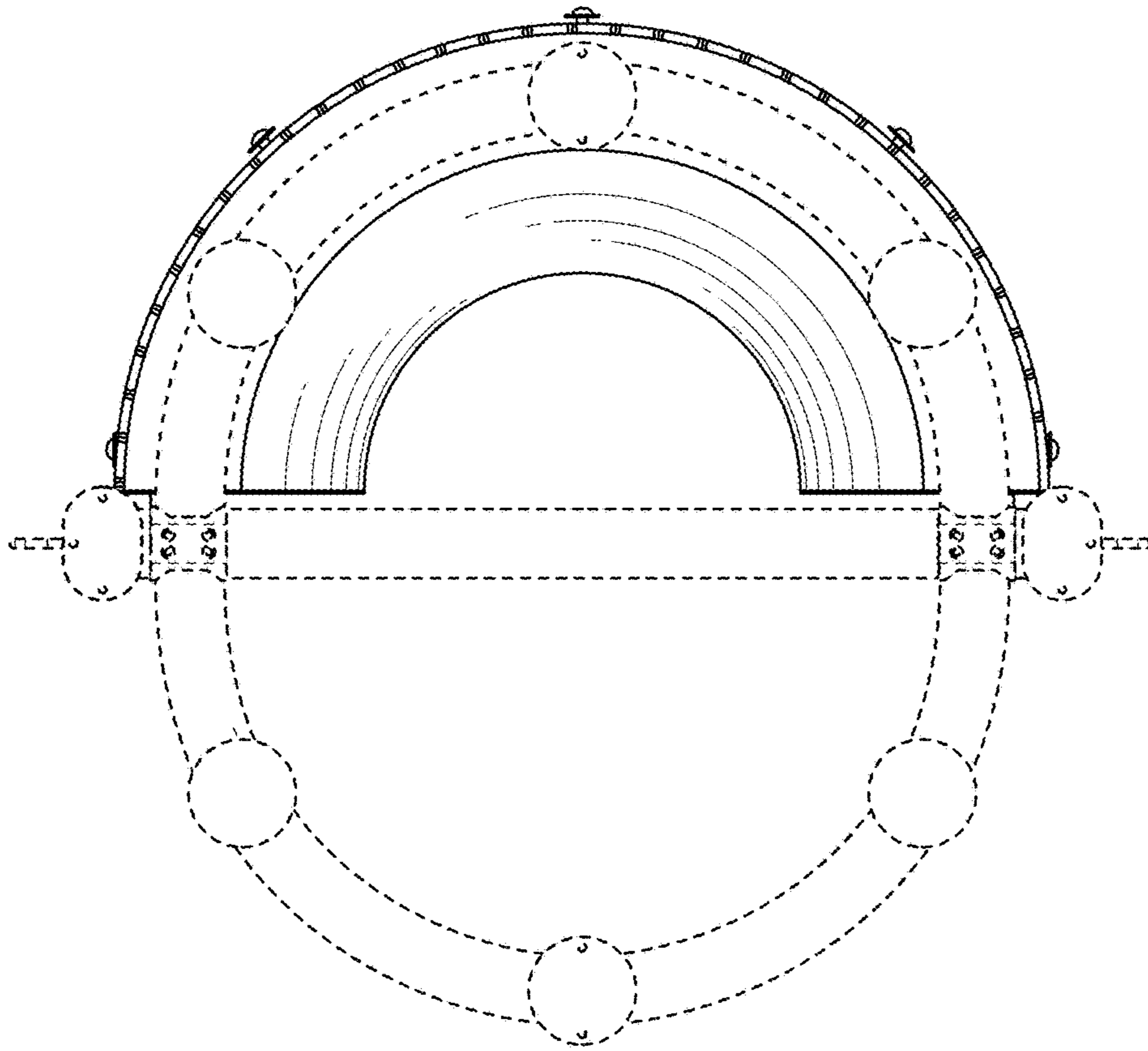


FIG. 7

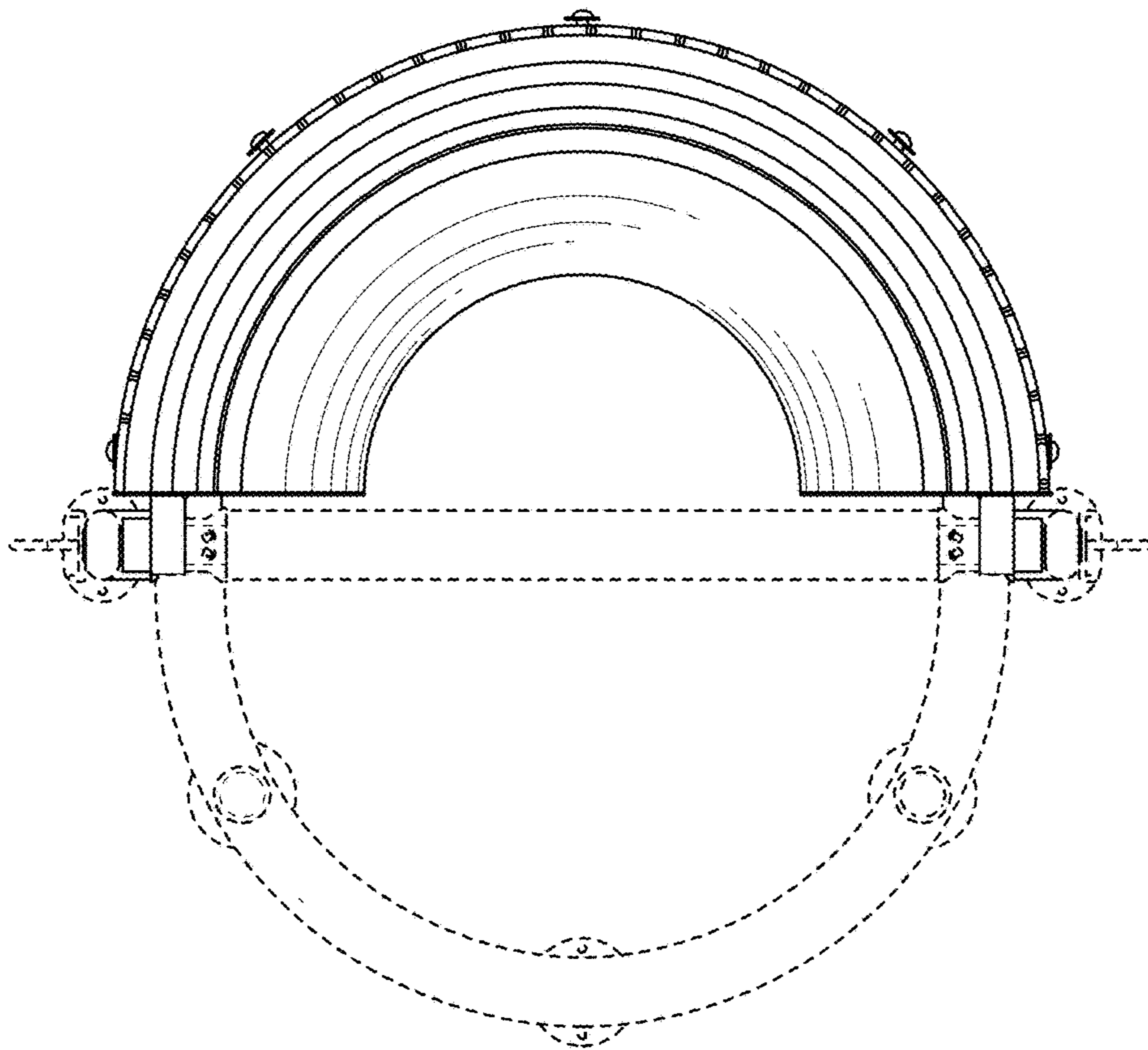


FIG. 6

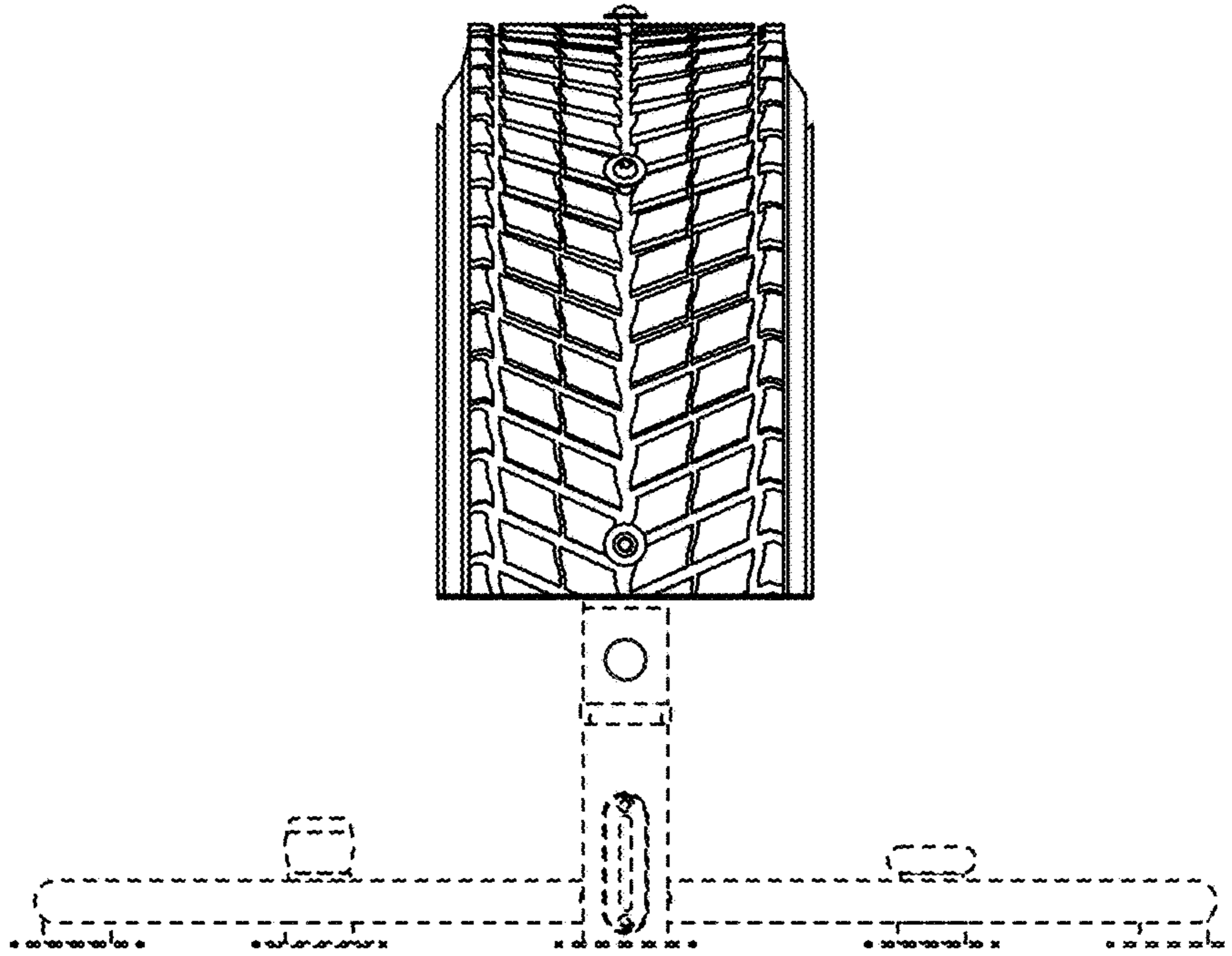


FIG. 8

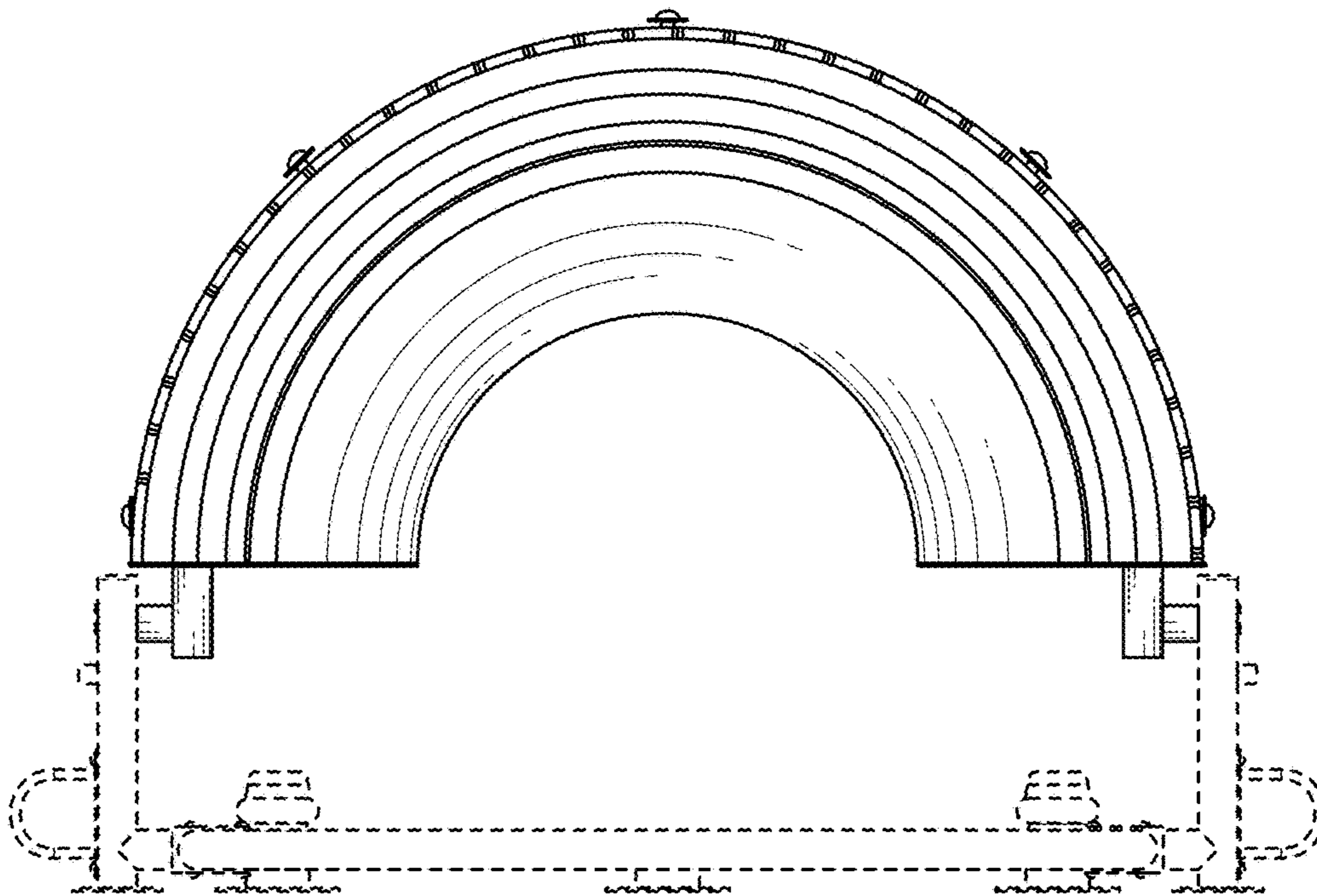


FIG. 9

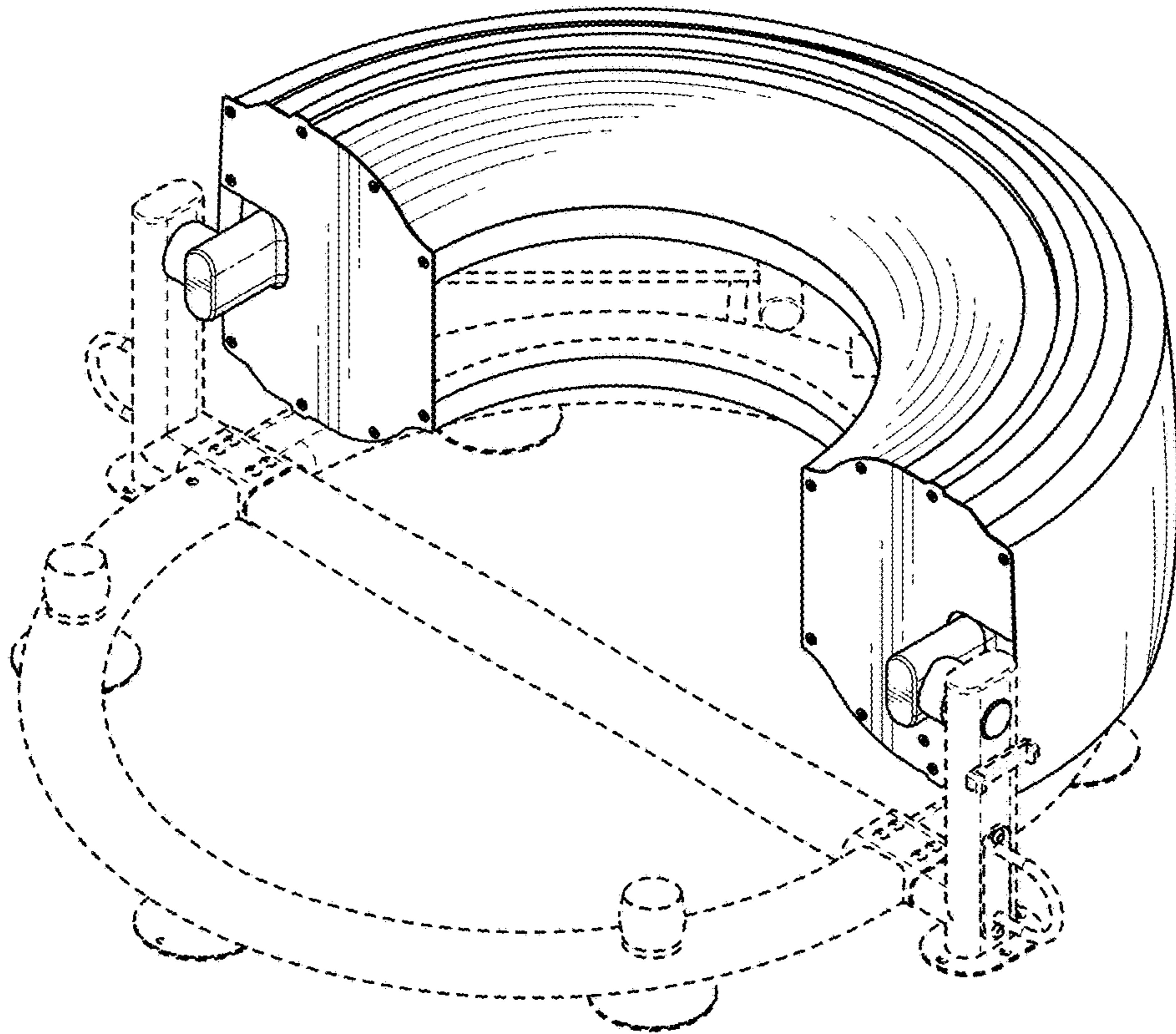


FIG. 10

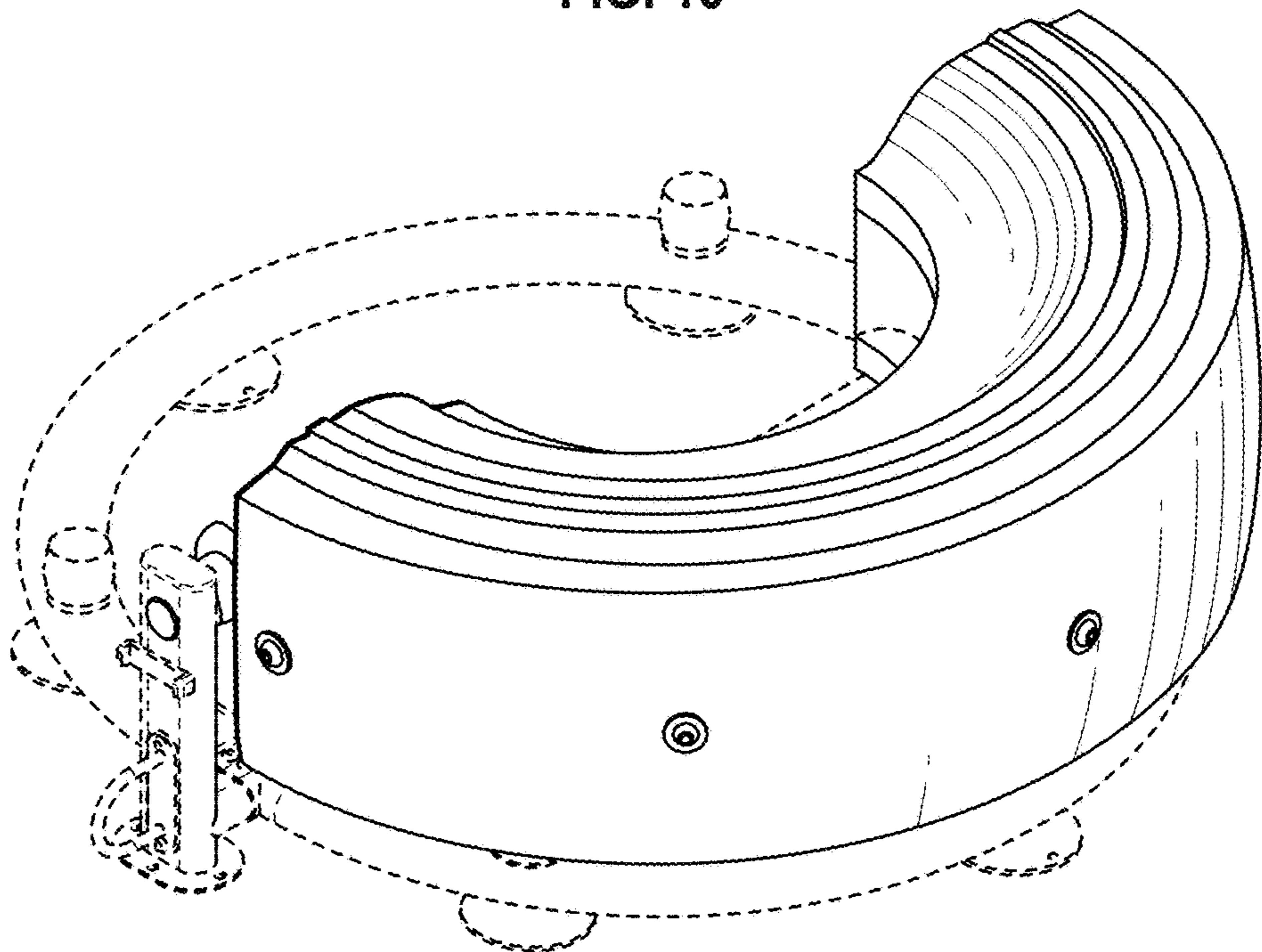


FIG. 11

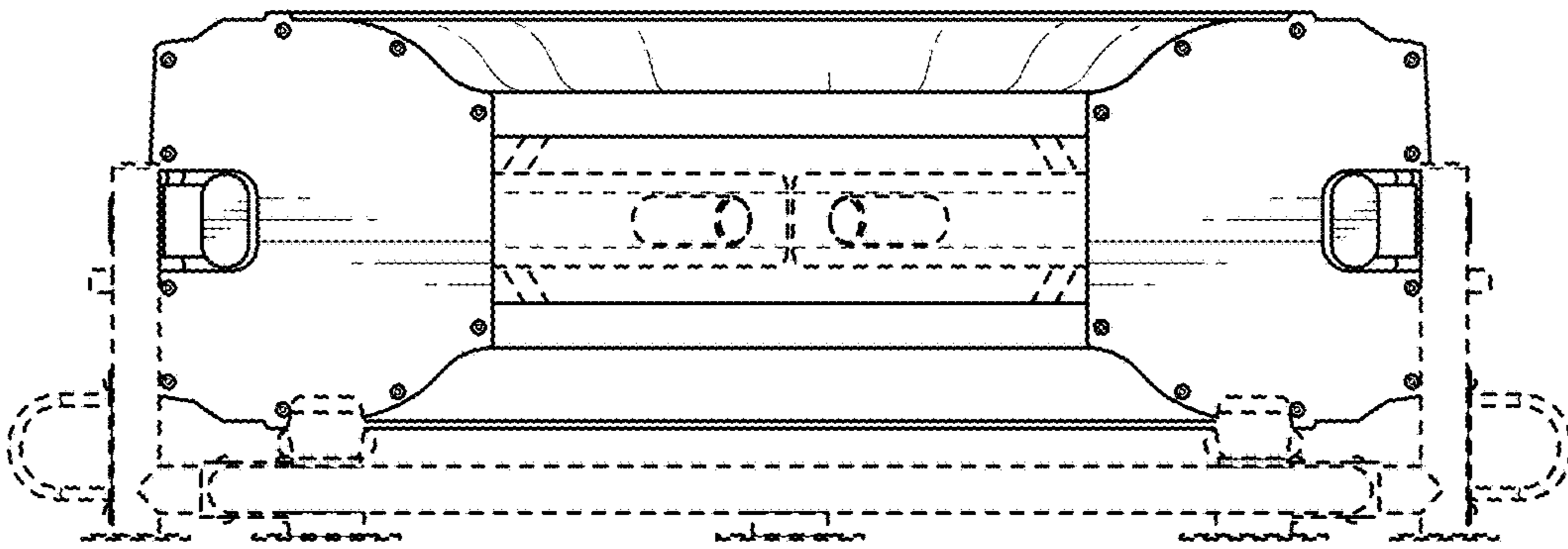


FIG. 12

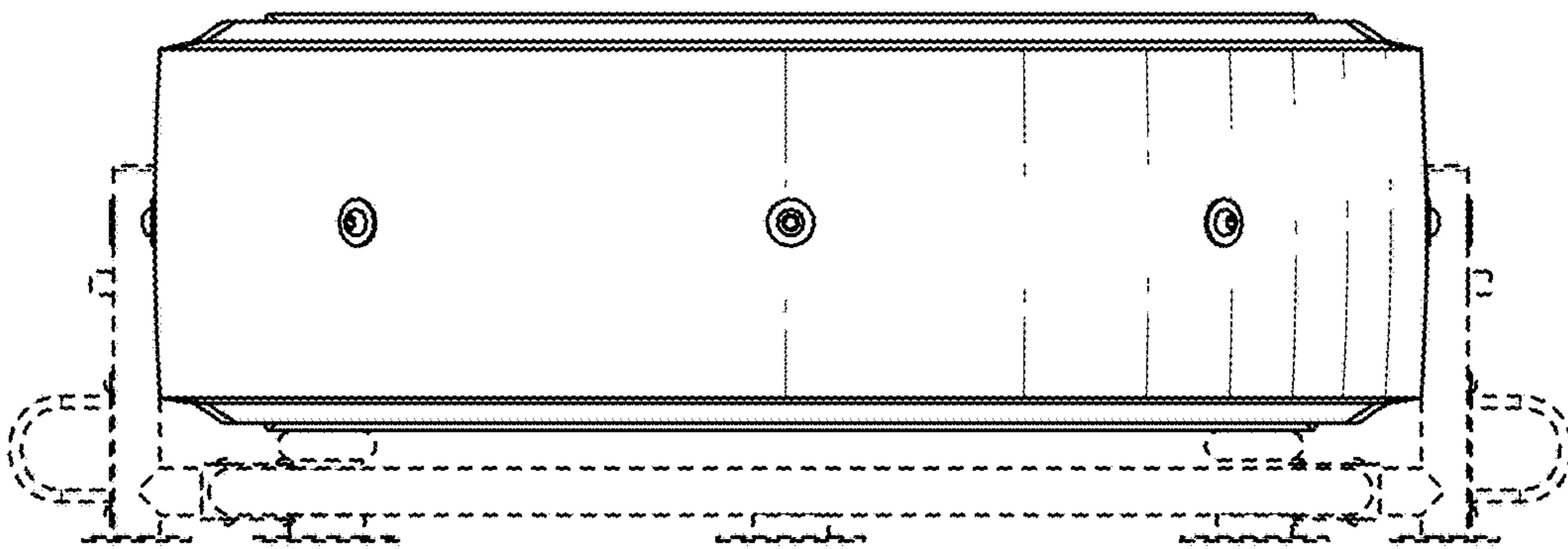


FIG. 13

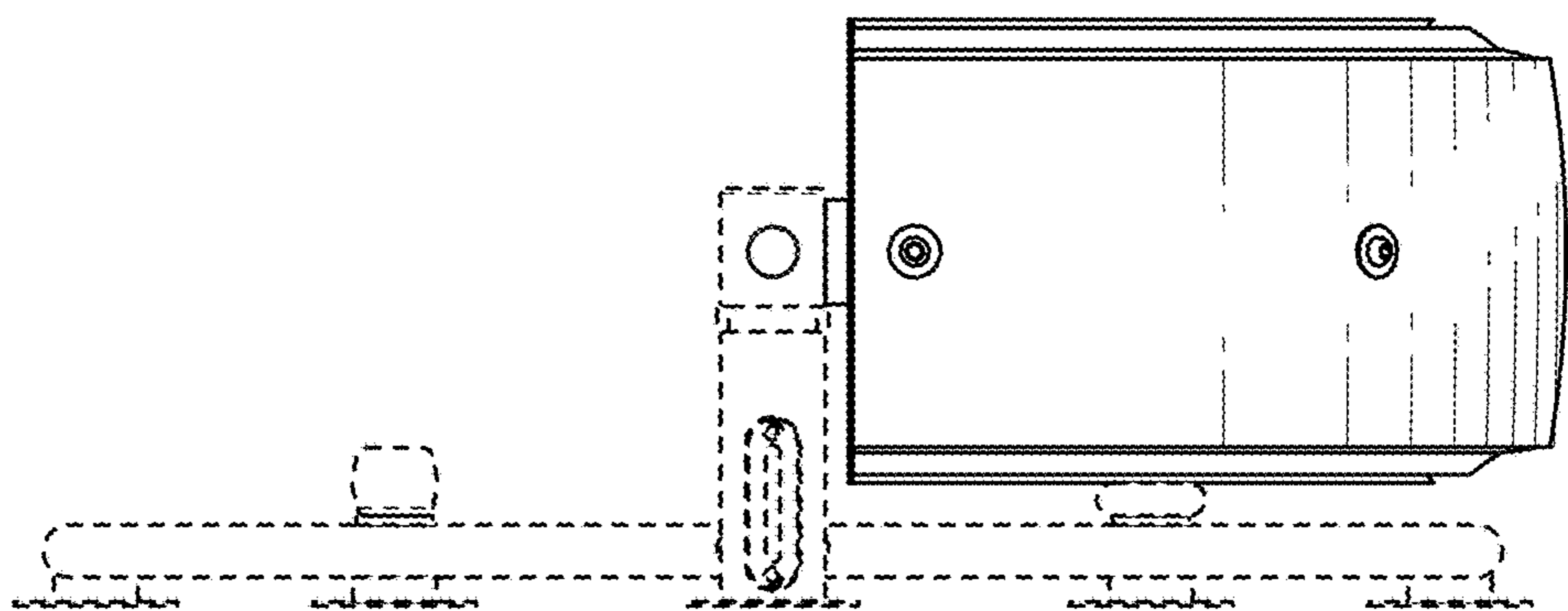


FIG. 14

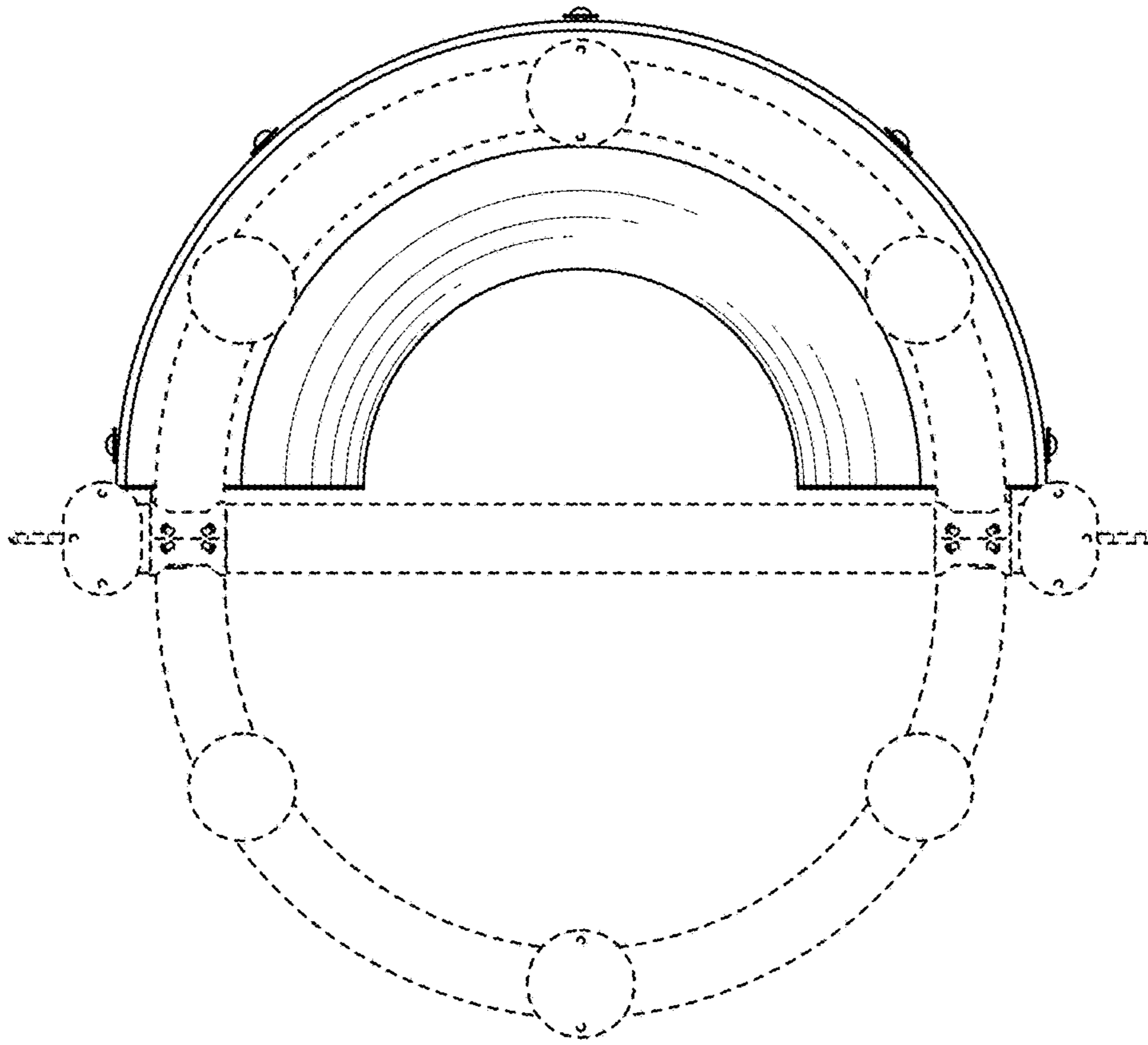


FIG. 16

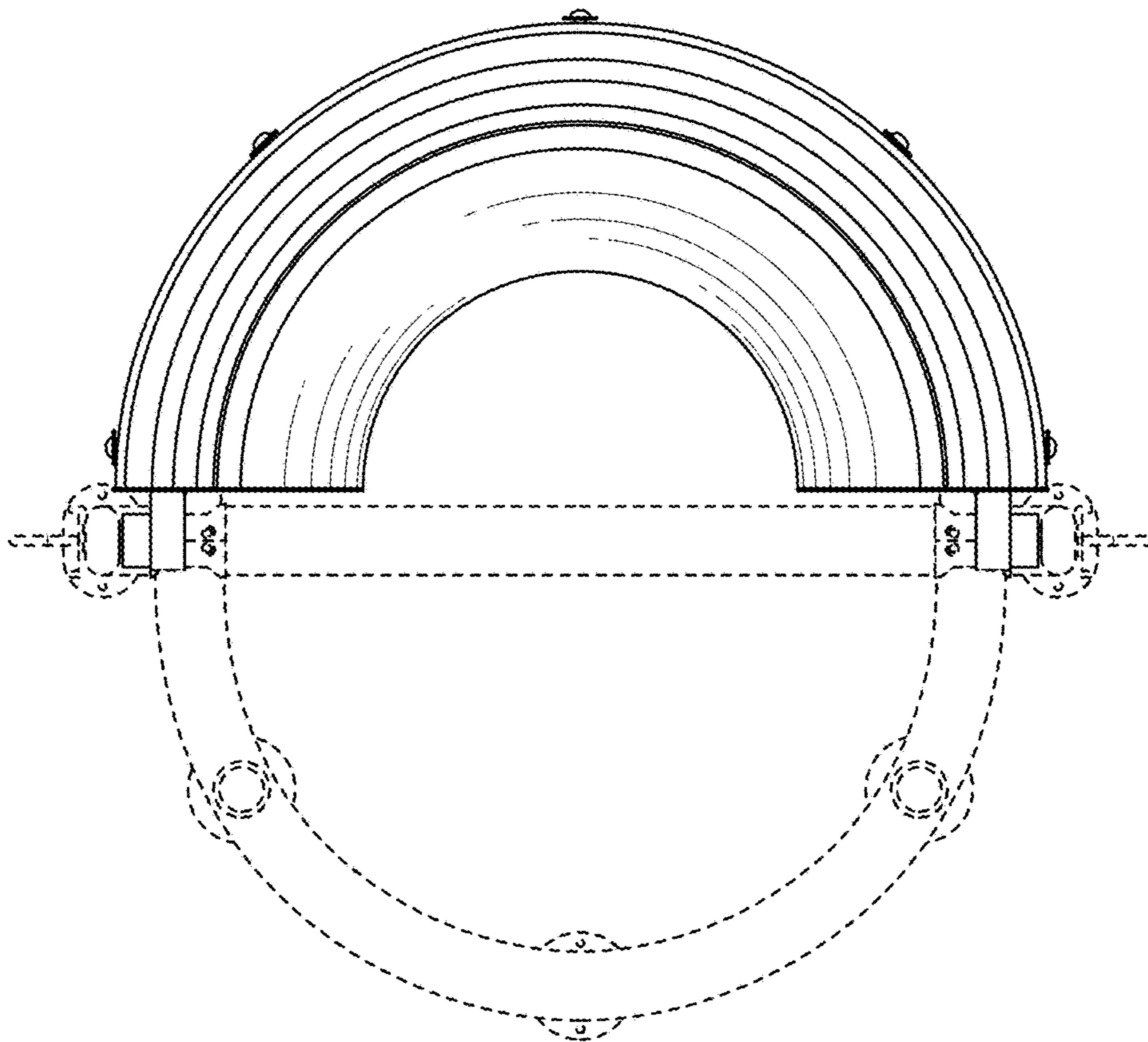


FIG. 15

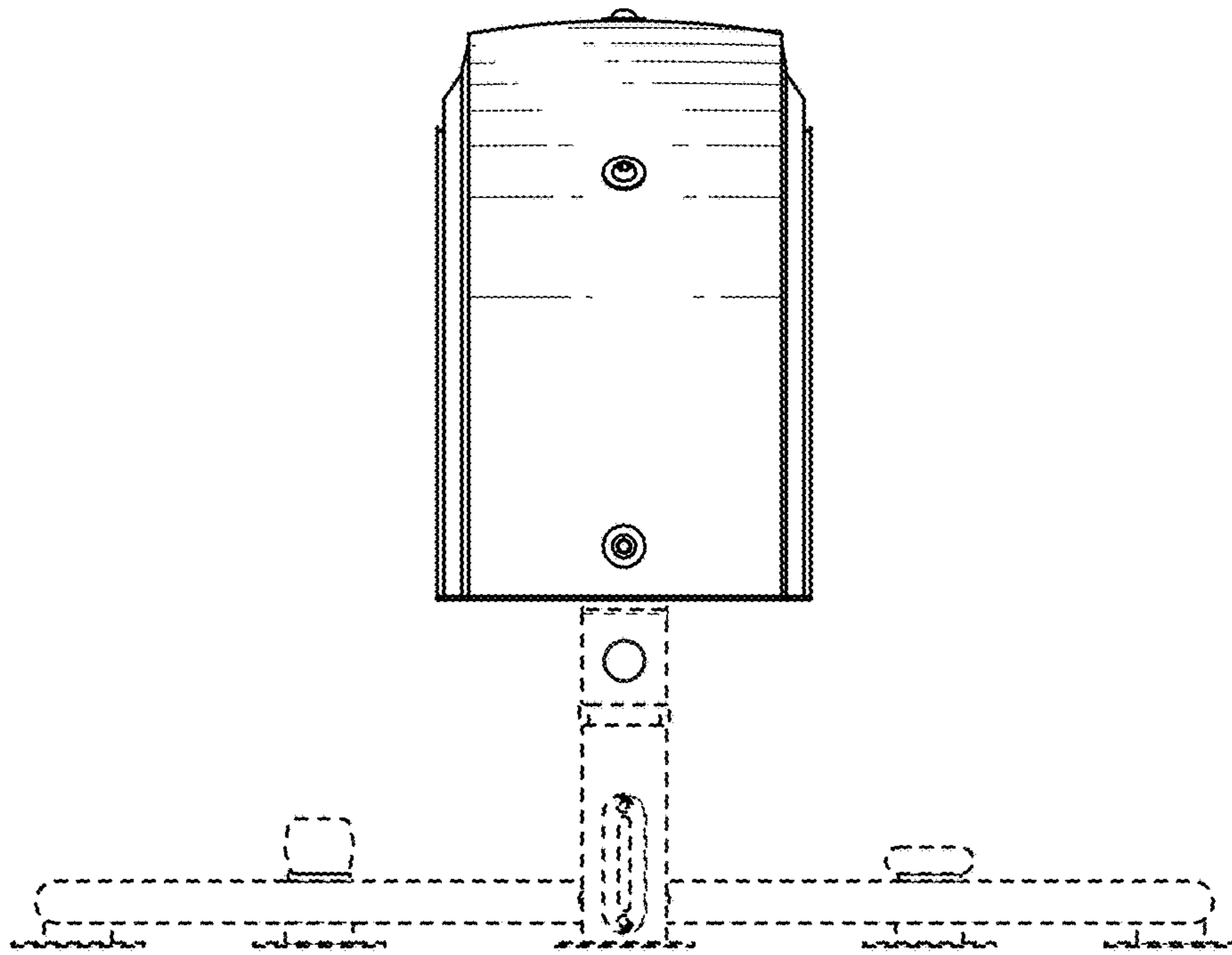


FIG. 17

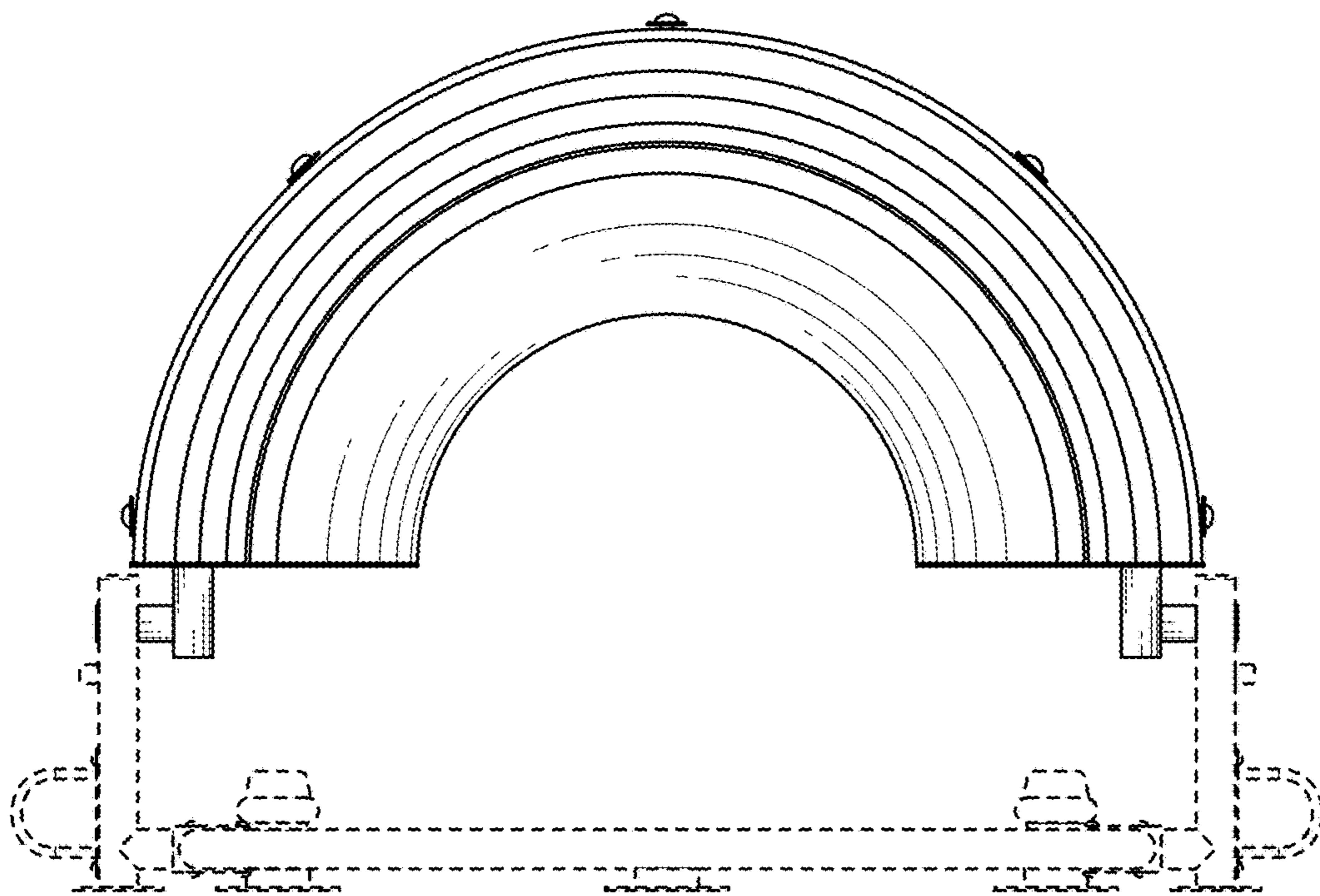


FIG. 18