

US00D862617S

(12) **United States Design Patent** (10) **Patent No.:** **US D862,617 S**  
**Henniger et al.** (45) **Date of Patent:** **\*\* Oct. 8, 2019**

(54) **BARBELL**

(71) Applicant: **Coulter Ventures LLC**, Columbus, OH (US)

(72) Inventors: **Bill Henniger**, Columbus, OH (US);  
**Greg Lammers**, Columbus, OH (US)

(73) Assignee: **Coulter Ventures, LLC.**, Columbus, OH (US)

(\*\*) Term: **15 Years**

(21) Appl. No.: **29/645,059**

(22) Filed: **Apr. 23, 2018**

(51) **LOC (12) Cl.** ..... **21-02**

(52) **U.S. Cl.**  
USPC ..... **D21/679**

(58) **Field of Classification Search**  
USPC ..... D21/680, 682, 681, 678, 662, 679, 684,  
D21/686, 801, 694, 683; 173/102, 103,  
173/118, 126, 133; 482/108, 93, 110,  
482/111, 105, 8, 107, 106, 139, 94, 104,  
482/140, 109, 51, 70, 74, 98, 1, 121, 55;  
D9/680, 629, 456; D8/85, 45, 107, 90,  
D8/317, 387, 397, 343, 31, 75, 14;  
D11/81, 91, 56, 80, 7, 52, 14, 201;  
D12/215  
CPC ..... A63B 21/4035; A63B 21/0552; A63B  
23/0211; A63B 21/0728; A63B 21/075;  
A63B 21/072  
See application file for complete search history.

6,010,439 A \* 1/2000 Bullard, Jr. .... A63B 21/078  
482/106

D583,883 S \* 12/2008 Thomas ..... D21/679

D597,612 S \* 8/2009 Lien ..... D21/681

8,672,815 B1 \* 3/2014 Springer ..... A63B 21/0724  
482/106

9,254,410 B1 \* 2/2016 Mirza ..... A63B 21/0004

9,623,276 B1 \* 4/2017 Deras ..... A63B 21/0724

9,675,837 B2 \* 6/2017 Smith ..... A63B 21/4035

9,925,406 B2 \* 3/2018 Brown ..... A63B 21/026

10,076,679 B2 \* 9/2018 Dickerson ..... A63B 21/4035

D843,524 S \* 3/2019 Henniger ..... D21/694

2007/0197352 A1 \* 8/2007 Charniga ..... A63B 21/06  
482/93

2012/0094810 A1 \* 4/2012 Anderson ..... A63B 21/0724  
482/107

2013/0196830 A1 \* 8/2013 Pfitzer ..... A63B 21/0602  
482/110

2014/0045660 A1 \* 2/2014 Murray ..... A63B 21/0724  
482/106

2014/0121074 A1 \* 5/2014 Cojocar ..... A63B 21/0724  
482/106

2014/0162850 A1 \* 6/2014 Chen ..... A63B 21/0728  
482/104

2014/0274595 A1 \* 9/2014 Patti ..... A63B 21/4049  
482/106

2015/0343255 A1 \* 12/2015 Miller ..... A63B 21/072  
482/104

2017/0216650 A1 \* 8/2017 Simmons ..... A63B 21/055

2017/0216654 A1 \* 8/2017 Parker ..... A63B 21/0722

2019/0099634 A1 \* 4/2019 Sanseverino .... A63B 21/00185

OTHER PUBLICATIONS

Olympic WI Bar by Rogue dated Apr. 18, 2014. Found online [Apr. 18, 2019] <https://www.roguefitness.com/rogue-olympic-wl-bar-cerakote?bvstate=pg:3/ct:r> (Year: 2014).\*

Pyrros Bar by Rogue dated no date given. Found online [Apr. 18, 2019] <https://www.roguefitness.com/rogue-pyrros-bar-25mm> (Year: 0).\*

Training Bar by Rogue dated Apr. 18, 2014. Found online [Apr. 18, 2019] <https://www.roguefitness.com/rogue-28mm-training-bar?bvstate=pg:2/ct:r> (Year: 2014).\*

Performance Training Bar by American Barbell dated Dec. 14, 2014. Found online [Apr. 18, 2019] <https://americanbarbell.com/products/american-barbell-performance-training-bar> (Year: 2014).\*

Performance Bearing Bar by American Barbell dated Dec. 17, 2014. Found online [Apr. 18, 2019] <https://americanbarbell.com/products/american-barbell-performance-bearing-bar> (Year: 2014).\*

(56) **References Cited**

U.S. PATENT DOCUMENTS

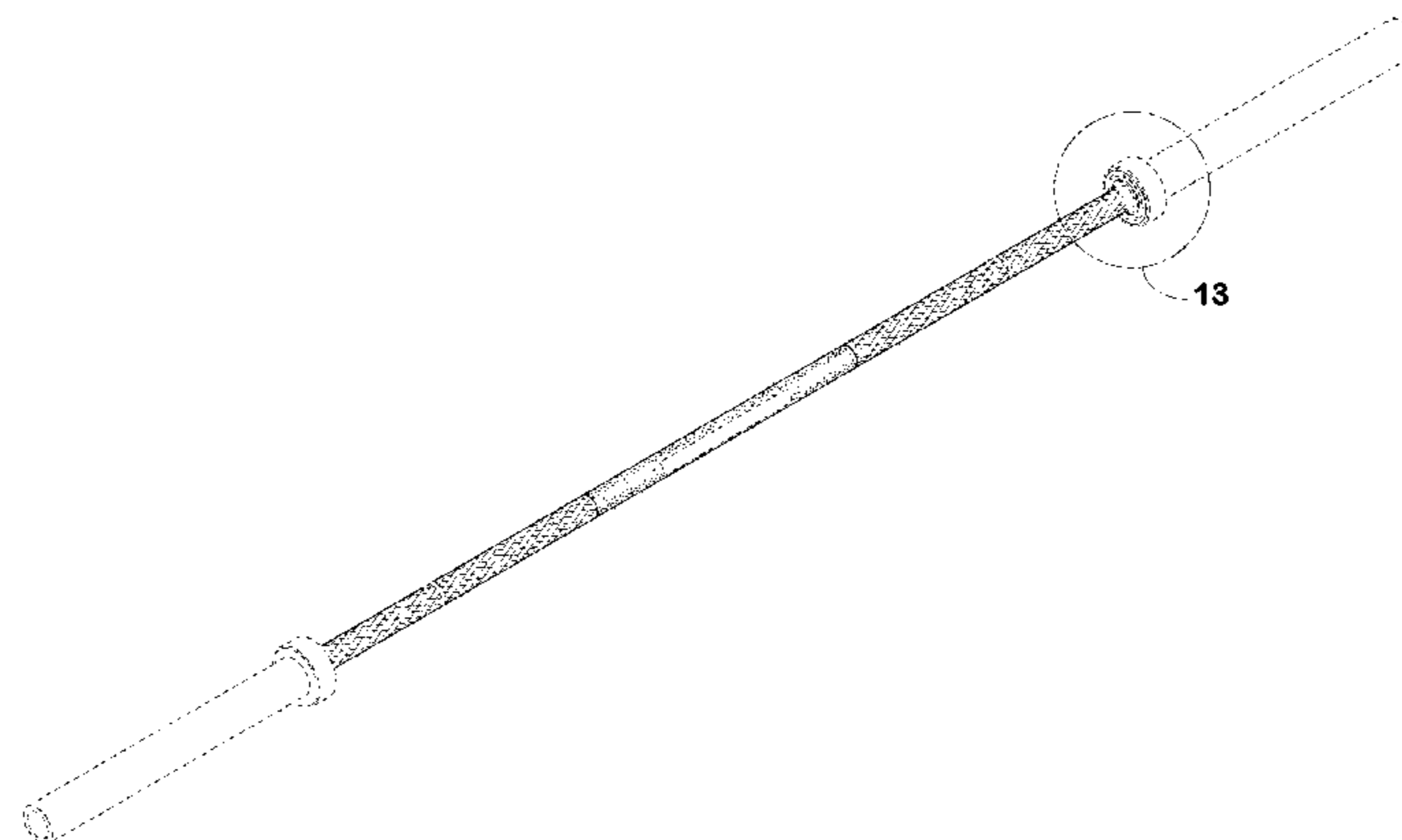
2,470,815 A \* 5/1949 Harvey ..... A63B 21/0724  
482/104

D262,814 S \* 1/1982 Lambert, Jr. .... D21/694

D290,485 S \* 6/1987 Sponitsky ..... D21/679

5,076,578 A \* 12/1991 Askonen ..... A63B 23/12  
482/139

5,839,996 A \* 11/1998 Gooding ..... A63B 21/072  
482/106



28MM Boneyard Bars by Rogue dated no date given. Found online [Apr. 18, 2019] <https://www.roguefitness.com/rogue-28mm-boneyard-bars> (Year: 0).\*

Product listing for American Barbell Cerakote Training Bar from <https://web.archive.org/web/20170224030649/http://americanbarbell.com/products/american-barbell-cerakote-training-bar>, dated Feb. 24, 2017.

Screen images from <https://web.archive.org/web/20170224030649/http://americanbarbell.com/products/american-barbell-cerakote-training-bar>, dated Feb. 24, 2017.

Product listing for Rogue The Ohio Bar—Cerakote from <https://www.roguefitness.com/the-ohio-bar-cerakote> with irrelevant material redacted, dated Feb. 15, 2019, product known to be available prior to Apr. 23, 2018, but not on or prior to Apr. 23, 2017.

\* cited by examiner

*Primary Examiner* — Ryan Harvey

(74) *Attorney, Agent, or Firm* — Banner & Witcoff, Ltd.

(57) **CLAIM**

The ornamental design for a barbell, as shown and described.

**DESCRIPTION**

The patent or application file contains at least one drawing executed in color. Copies of this patent with color drawings will be provided by the Office upon request and payment of the necessary fee.

FIG. 1 is a top, front, left perspective view of a barbell showing our new design;

FIG. 2 is top, front, right perspective view thereof;

FIG. 3 is a front view thereof;

FIG. 4 is an enlarged partial view of FIG. 3;

FIG. 5 is a rear view thereof;

FIG. 6 is an enlarged partial view of FIG. 5;

FIG. 7 is a left side view thereof;

FIG. 8 is a right side view thereof;

FIG. 9 is a top view thereof;

FIG. 10 is an enlarged partial view of FIG. 9;

FIG. 11 is a bottom view thereof;

FIG. 12 is an enlarged partial view of FIG. 1;

FIG. 13 is an enlarged view of the encircled region identified by the number “13” in FIG. 1;

FIG. 14 is an enlarged top, rear, left perspective view of the encircled region identified by the number “13” in FIG. 1;

FIG. 15 is an enlarged view of the encircled region identified by the number “15” in FIG. 2;

FIG. 16 is an enlarged top, rear, right perspective view of the encircled region identified by the number “15” in FIG. 2;

FIG. 17 is a top, front, left perspective view of a first alternative claimed configuration of the barbell of FIGS. 1-16 showing our new design;

FIG. 18 is top, front, right perspective view thereof;

FIG. 19 is a front view thereof;

FIG. 20 is an enlarged partial view of FIG. 19;

FIG. 21 is a rear view thereof;

FIG. 22 is an enlarged partial view of FIG. 21;

FIG. 23 is a left side view thereof;

FIG. 24 is a right side view thereof;

FIG. 25 is a top view thereof;

FIG. 26 is an enlarged partial view of FIG. 25;

FIG. 27 is a bottom view thereof;

FIG. 28 is an enlarged partial view of FIG. 27;

FIG. 29 is an enlarged view of the encircled region identified by the number “29” in FIG. 17;

FIG. 30 is an enlarged top, rear, left perspective view of the encircled region identified by the number “29” in FIG. 17;

FIG. 31 is an enlarged view of the encircled region identified by the number “31” in FIG. 18;

FIG. 32 is an enlarged top, rear, right perspective view of the encircled region identified by the number “31” in FIG. 18;

FIG. 33 is a top, front, left perspective view of a second alternative claimed configuration of the barbell of FIGS. 1-16 showing our new design;

FIG. 34 is top, front, right perspective view thereof;

FIG. 35 is a front view thereof;

FIG. 36 is an enlarged partial view of FIG. 35;

FIG. 37 is a rear view thereof;

FIG. 38 is an enlarged partial view of FIG. 37;

FIG. 39 is a left side view thereof;

FIG. 40 is a right side view thereof;

FIG. 41 is a top view thereof;

FIG. 42 is an enlarged partial view of FIG. 41;

FIG. 43 is a bottom view thereof;

FIG. 44 is an enlarged partial view of FIG. 43;

FIG. 45 is an enlarged view of the encircled region identified by the number “45” in FIG. 33;

FIG. 46 is an enlarged top, rear, left perspective view of the encircled region identified by the number “45” in FIG. 33;

FIG. 47 is an enlarged view of the encircled region identified by the number “47” in FIG. 34;

FIG. 48 is an enlarged top, rear, right perspective view of the encircled region identified by the number “47” in FIG. 34;

FIG. 49 is a top, front, left perspective view of a third alternative claimed configuration of the barbell of FIGS. 1-16 showing our new design;

FIG. 50 is top, front, right perspective view thereof;

FIG. 51 is a front view thereof;

FIG. 52 is an enlarged partial view of FIG. 51;

FIG. 53 is a rear view thereof;

FIG. 54 is an enlarged partial view of FIG. 53;

FIG. 55 is a left side view thereof;

FIG. 56 is a right side view thereof;

FIG. 57 is a top view thereof;

FIG. 58 is an enlarged partial view of FIG. 57;

FIG. 59 is a bottom view thereof;

FIG. 60 is an enlarged partial view of FIG. 59;

FIG. 61 is an enlarged view of the encircled region identified by the number “61” in FIG. 49;

FIG. 62 is an enlarged top, rear, left perspective view of the encircled region identified by the number “61” in FIG. 49;

FIG. 63 is an enlarged view of the encircled region identified by the number “63” in FIG. 50;

FIG. 64 is an enlarged top, rear, right perspective view of the encircled region identified by the number “63” in FIG. 50;

FIG. 65 is a top, front, left perspective view of a fourth alternative claimed configuration of the barbell of FIGS. 1-16 showing our new design;

FIG. 66 is top, front, right perspective view thereof;

FIG. 67 is a front view thereof;

FIG. 68 is an enlarged partial view of FIG. 67;

FIG. 69 is a rear view thereof;

FIG. 70 is an enlarged partial view of FIG. 69;

FIG. 71 is a left side view thereof;

FIG. 72 is a right side view thereof;

FIG. 73 is a top view thereof;

FIG. 74 is an enlarged partial view of FIG. 73;

FIG. 75 is a bottom view thereof;

FIG. 76 is an enlarged partial view of FIG. 75;

FIG. 77 is an enlarged view of the encircled region identified by the number "77" in FIG. 65;

FIG. 78 is an enlarged top, rear, left perspective view of the encircled region identified by the number "77" in FIG. 65;

FIG. 79 is an enlarged view of the encircled region identified by the number "79" in FIG. 66; and,

FIG. 80 is an enlarged top, rear, right perspective view of the encircled region identified by the number "79" in FIG. 66.

In regard to FIGS. 1-80, the broken lines depicting the remainder of the barbell show features that form no part of the claimed design. The cross-hatching indicates knurling.

FIGS. 1-6 and 9-16 are shaded with stippling to indicate a color contrast between the areas shaded with stippling and the areas having cross-hatching. The stippling does not represent any particular color, pattern, material, texture, or finish.

**1 Claim, 35 Drawing Sheets  
(18 of 35 Drawing Sheet(s) Filed in Color)**

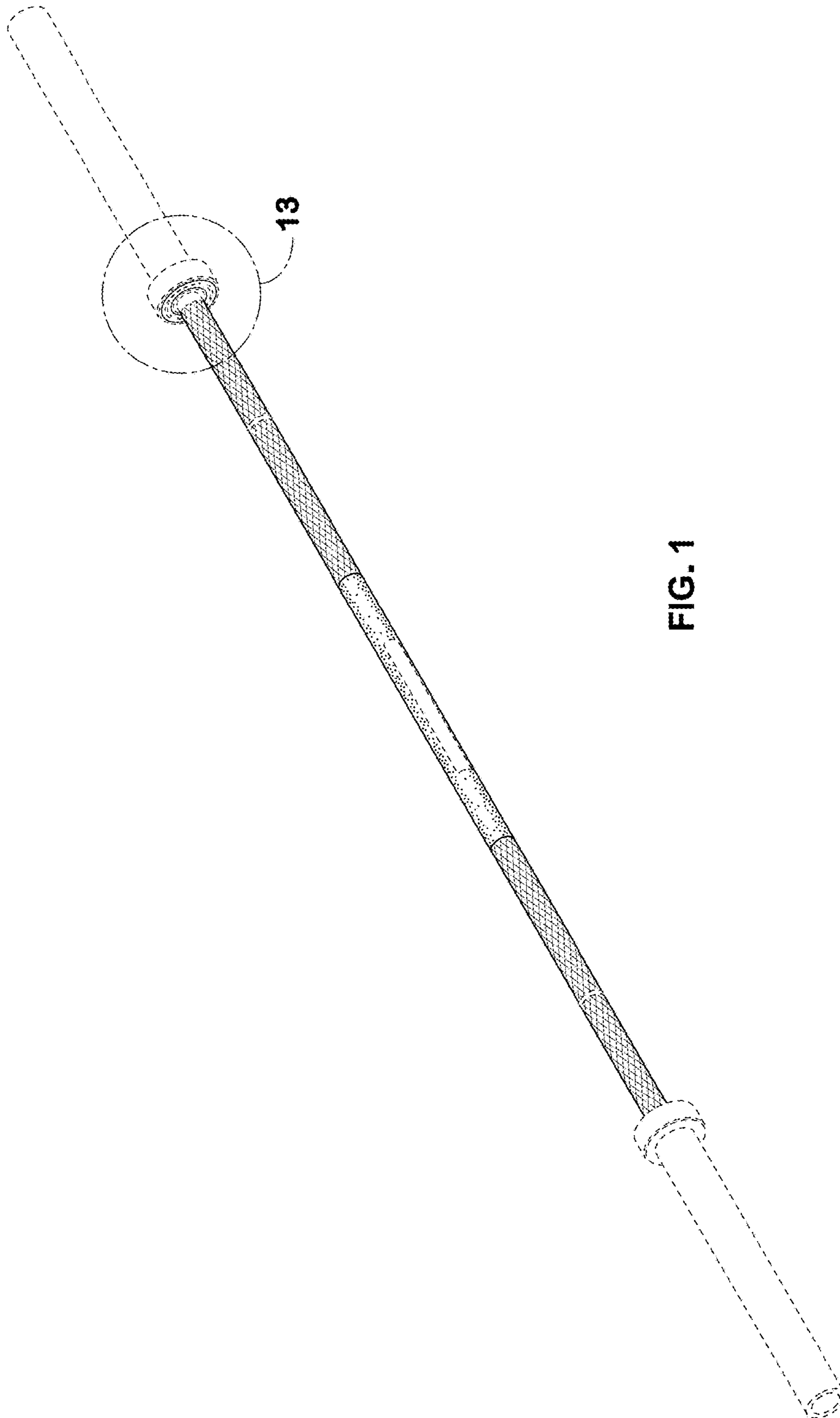


FIG. 1

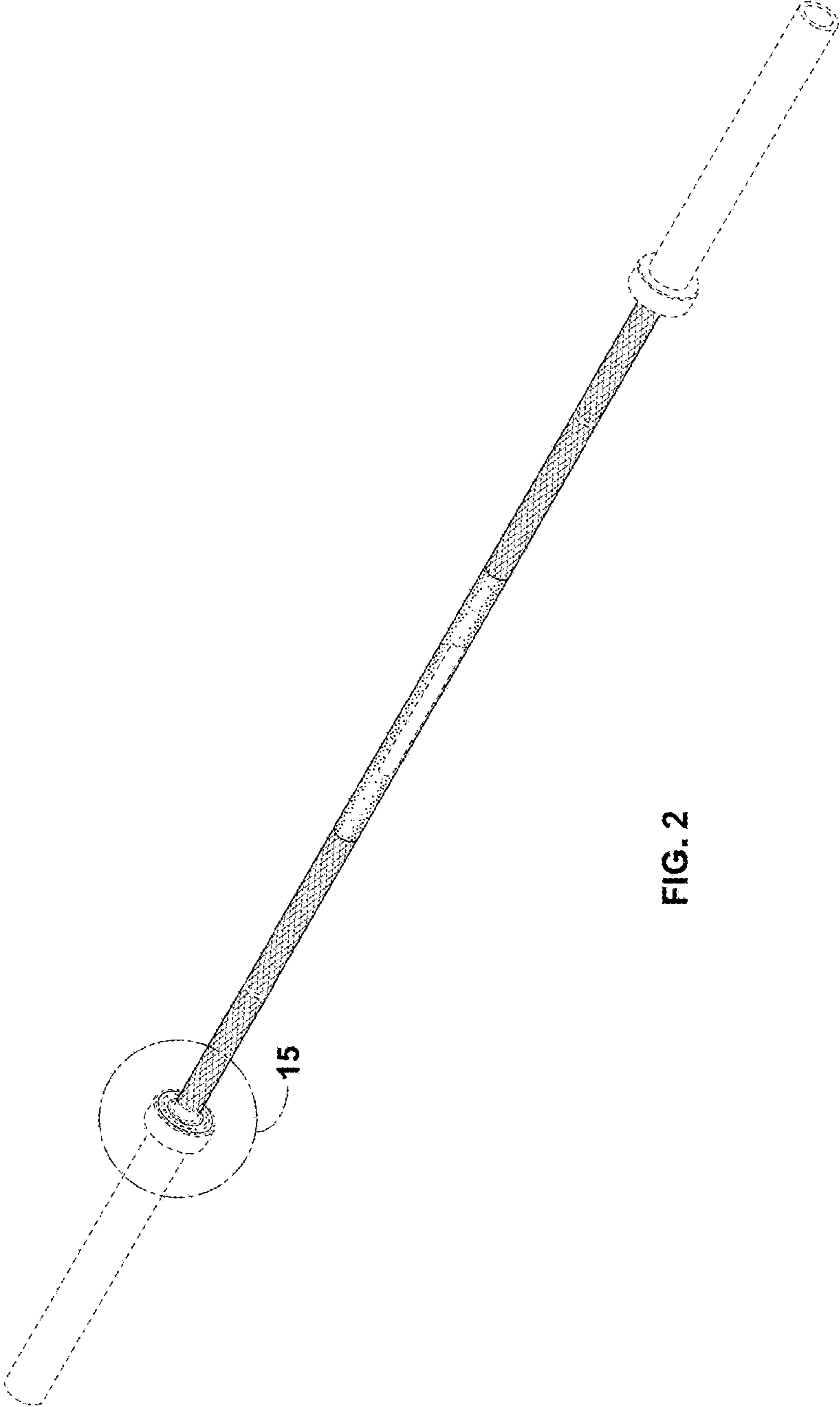


FIG. 2

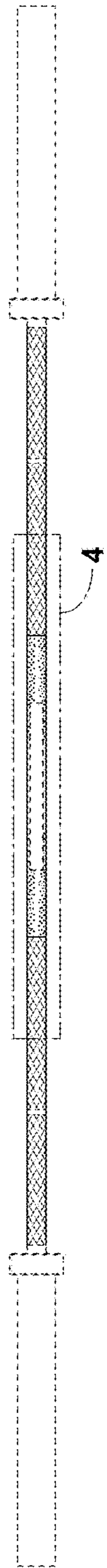


FIG. 3

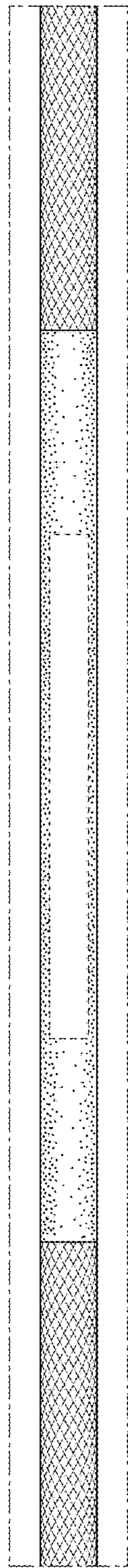


FIG. 4

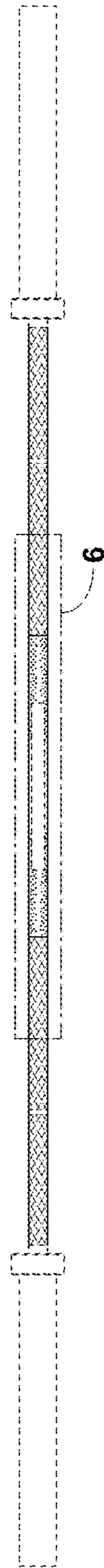


FIG. 5

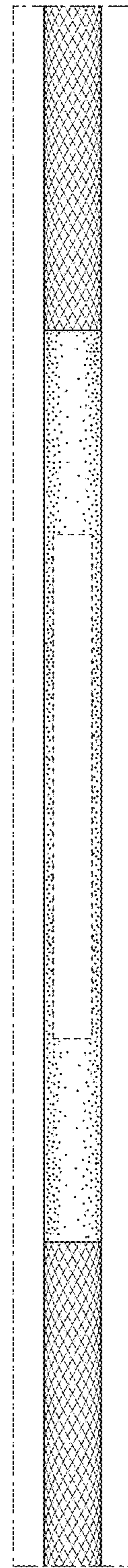


FIG. 6

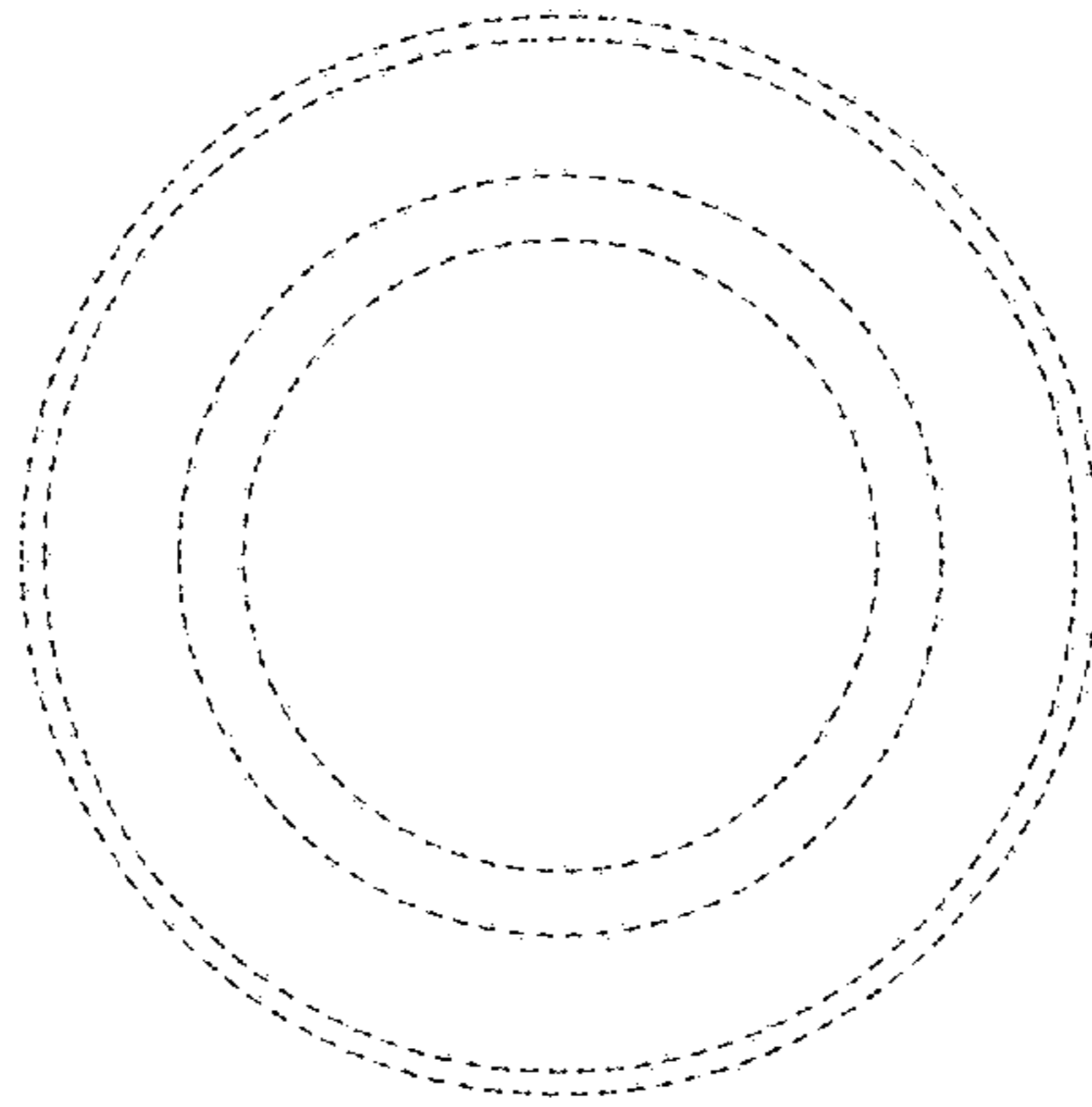


FIG. 8

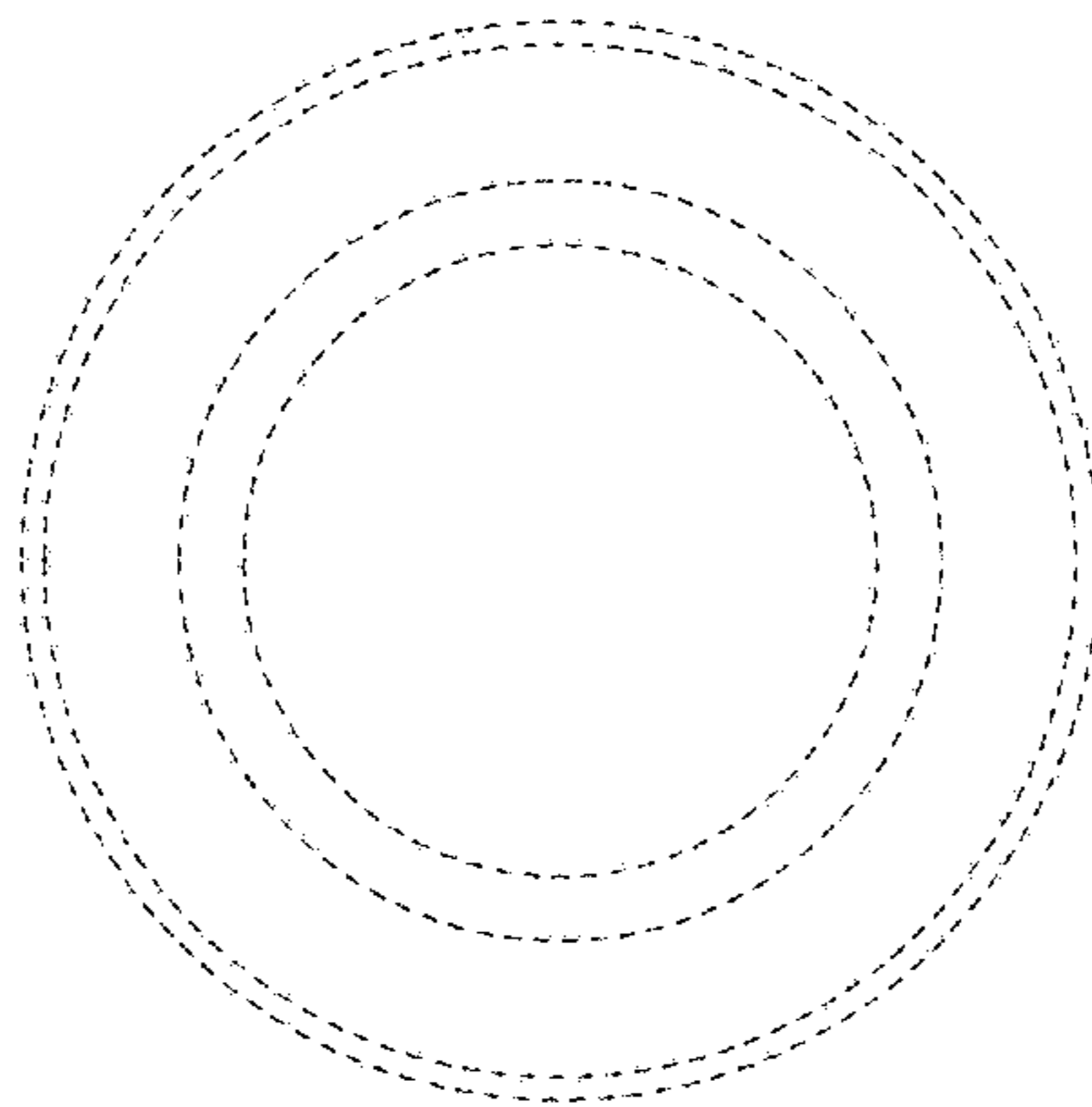


FIG. 7

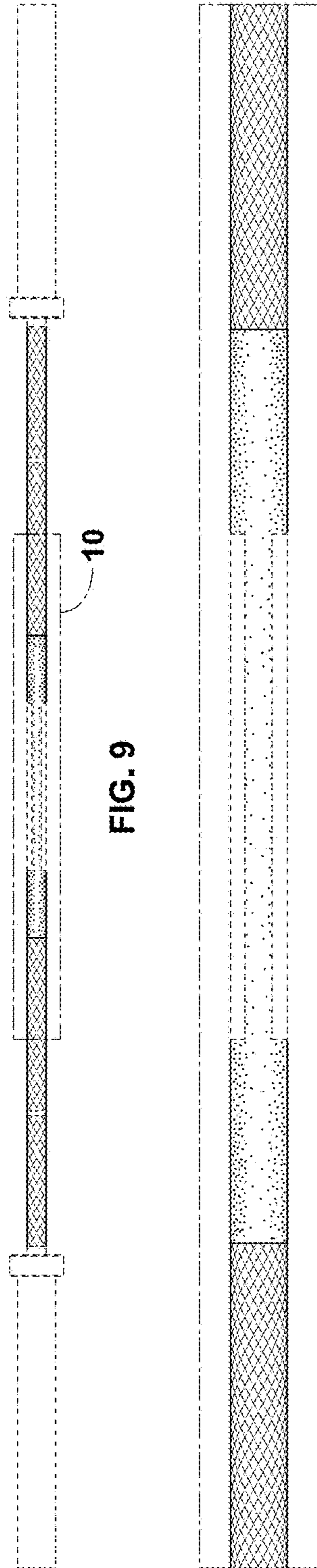


FIG. 10

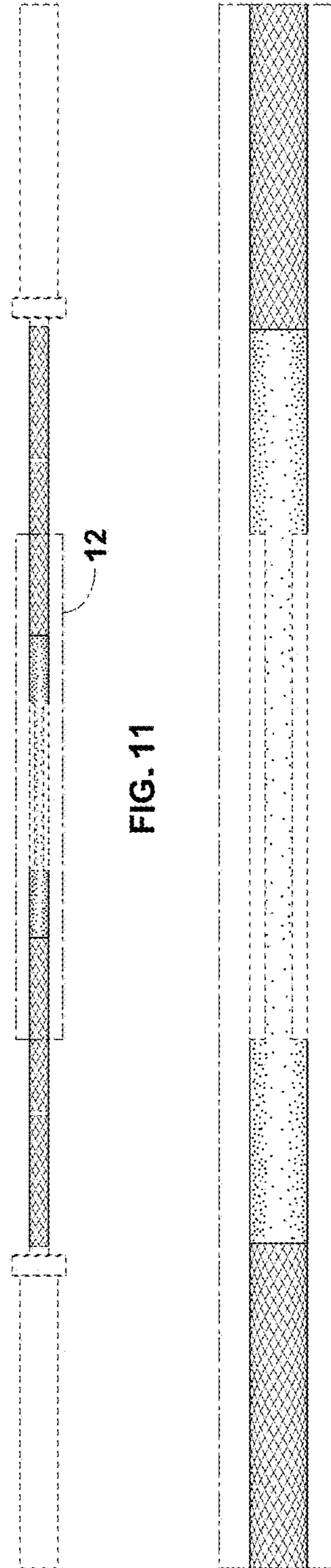


FIG. 11

FIG. 12



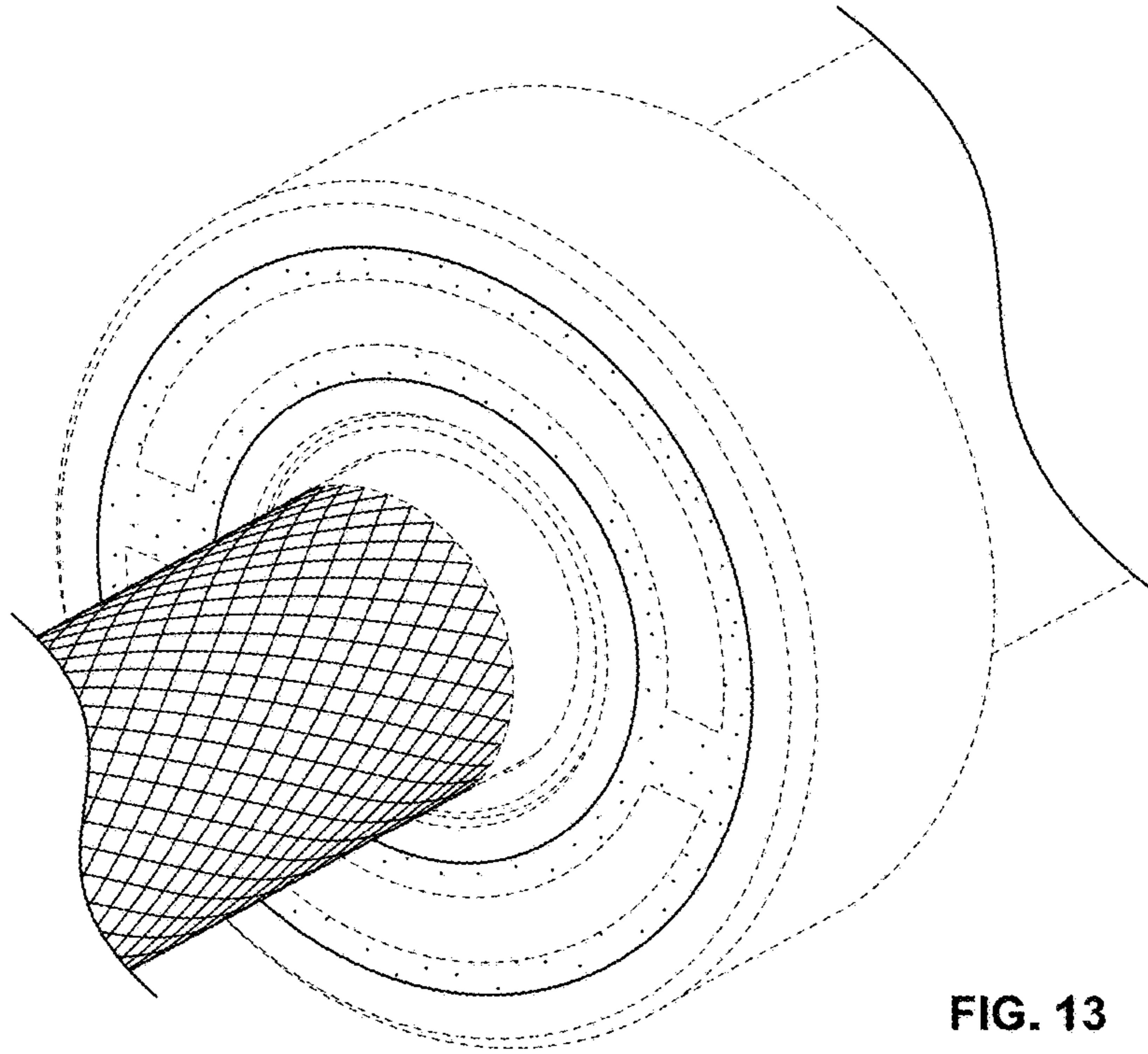


FIG. 13

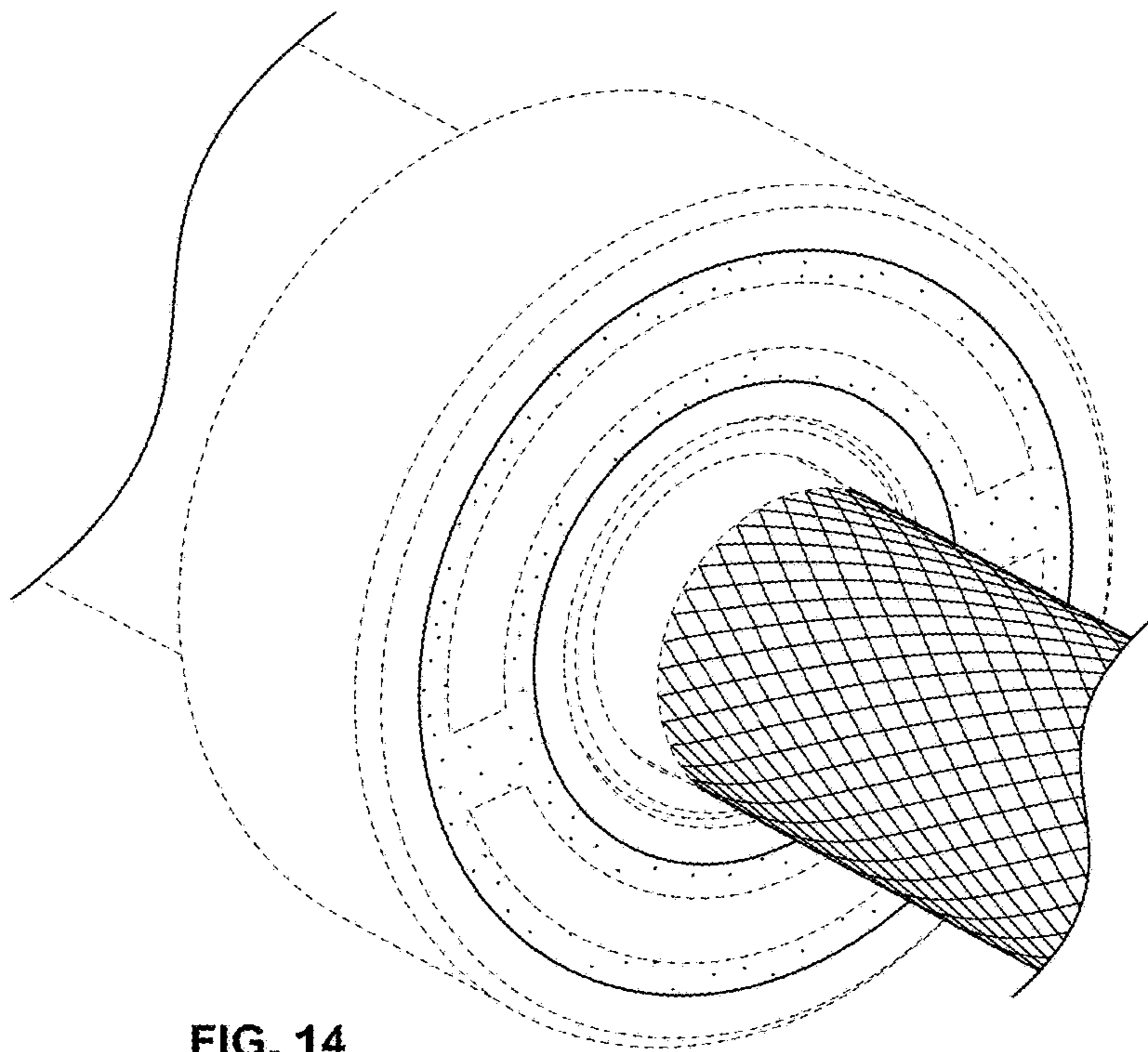


FIG. 14

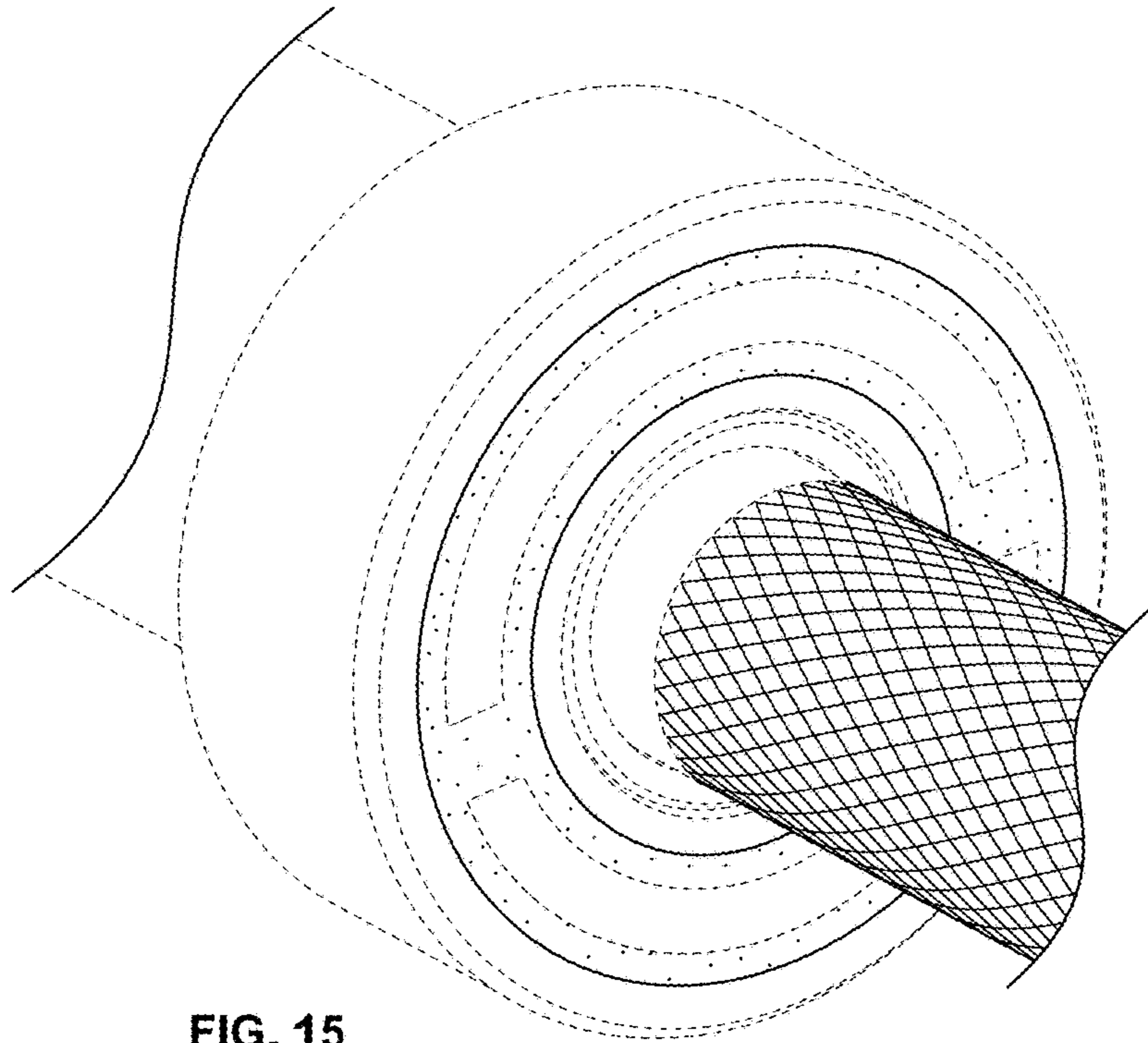


FIG. 15

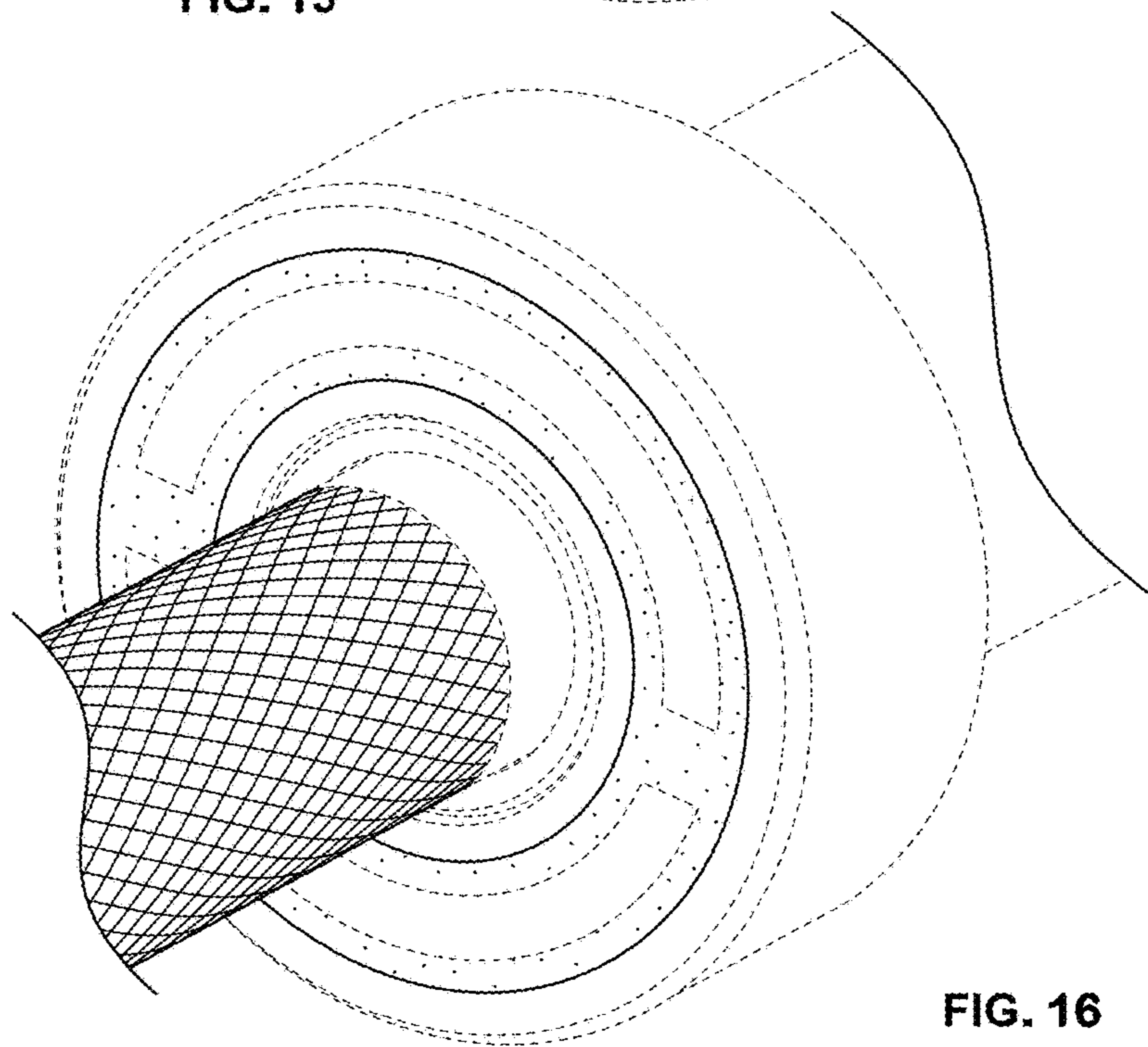


FIG. 16

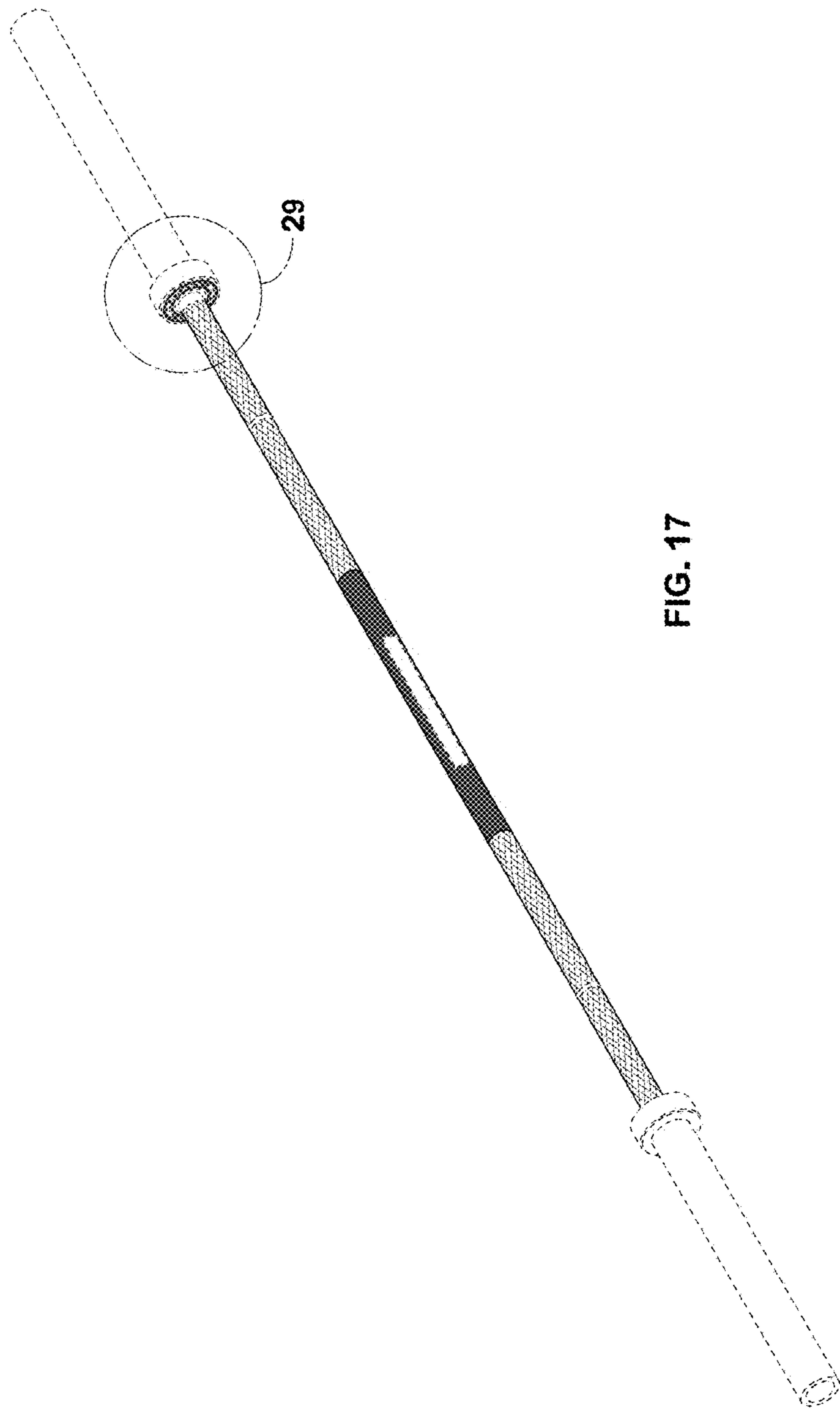


FIG. 17

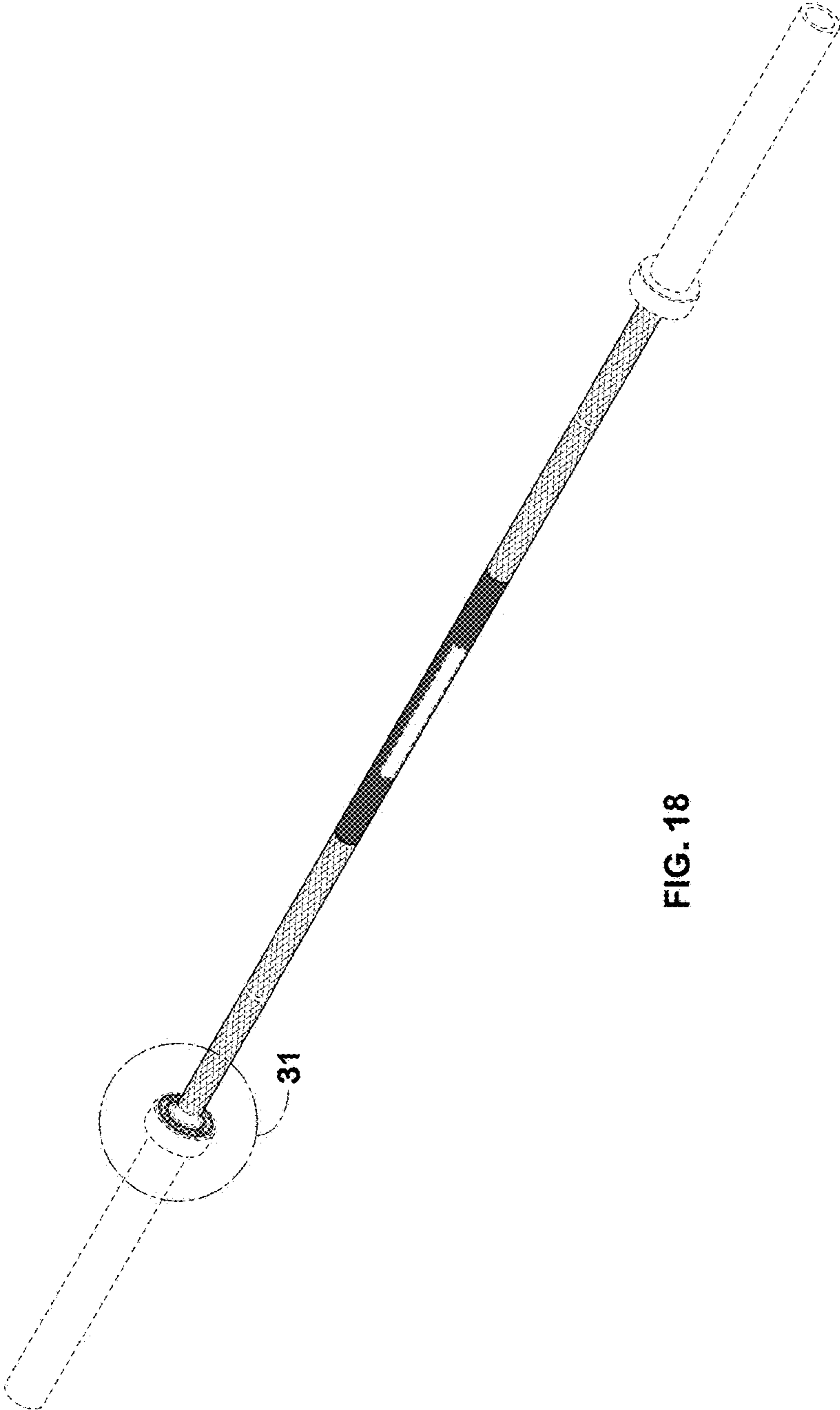


FIG. 18

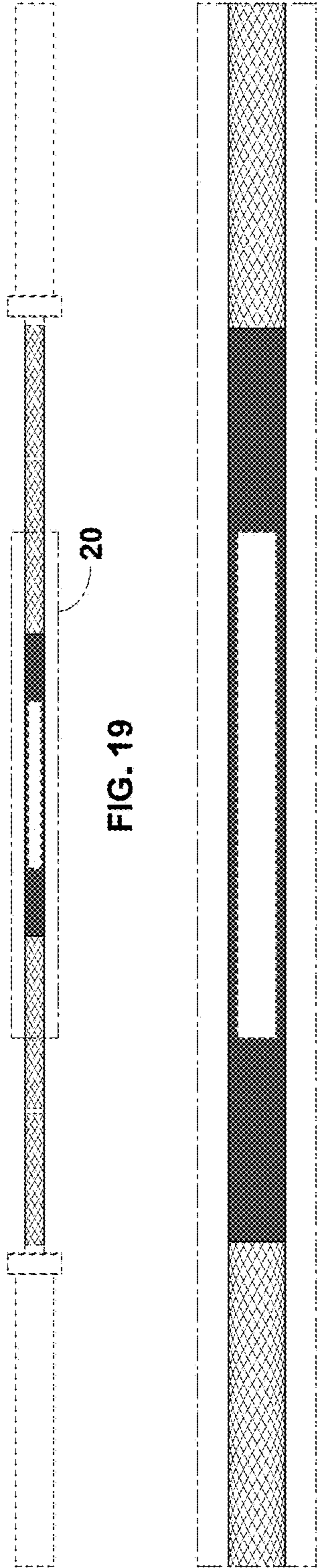


FIG. 19

FIG. 20

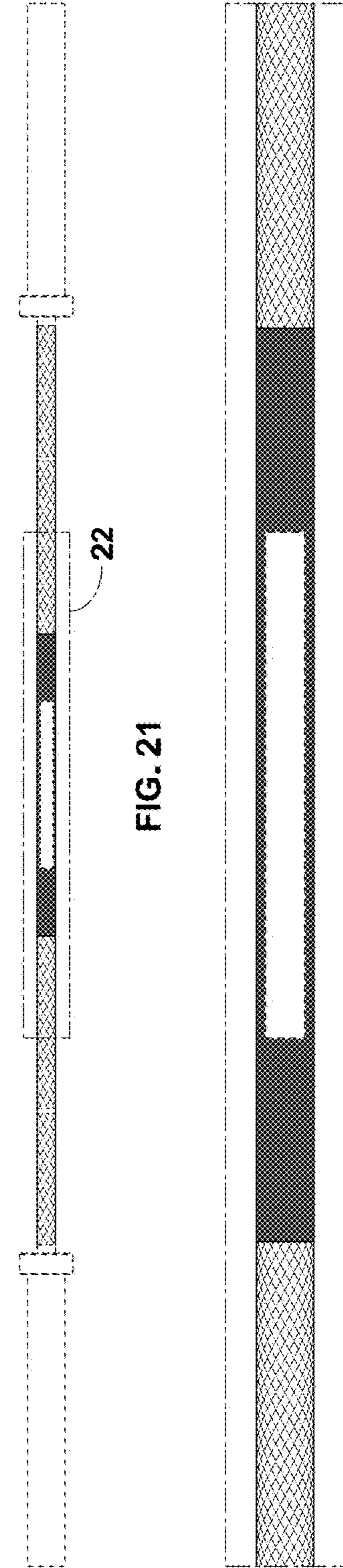


FIG. 21

FIG. 22

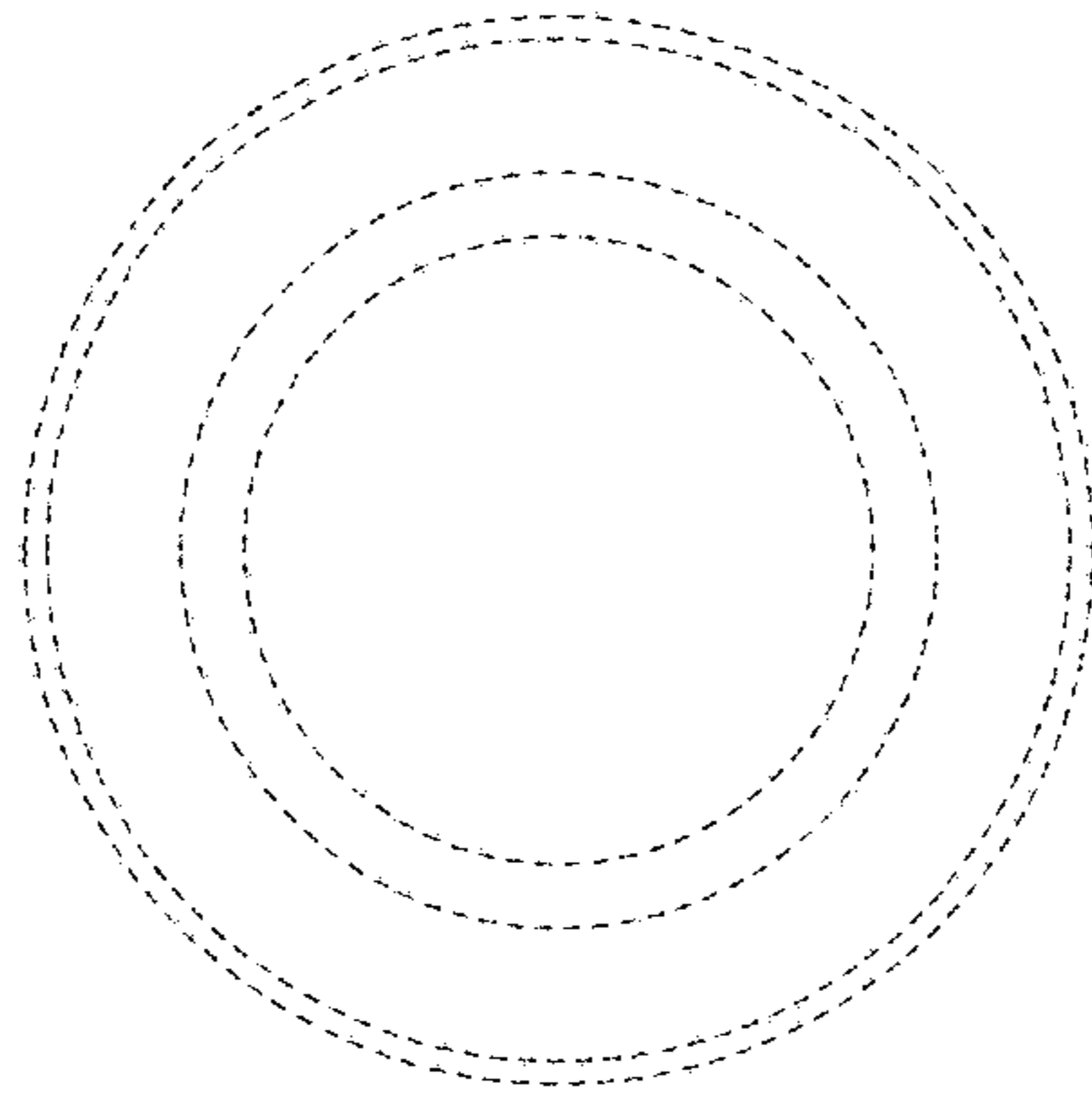


FIG. 24

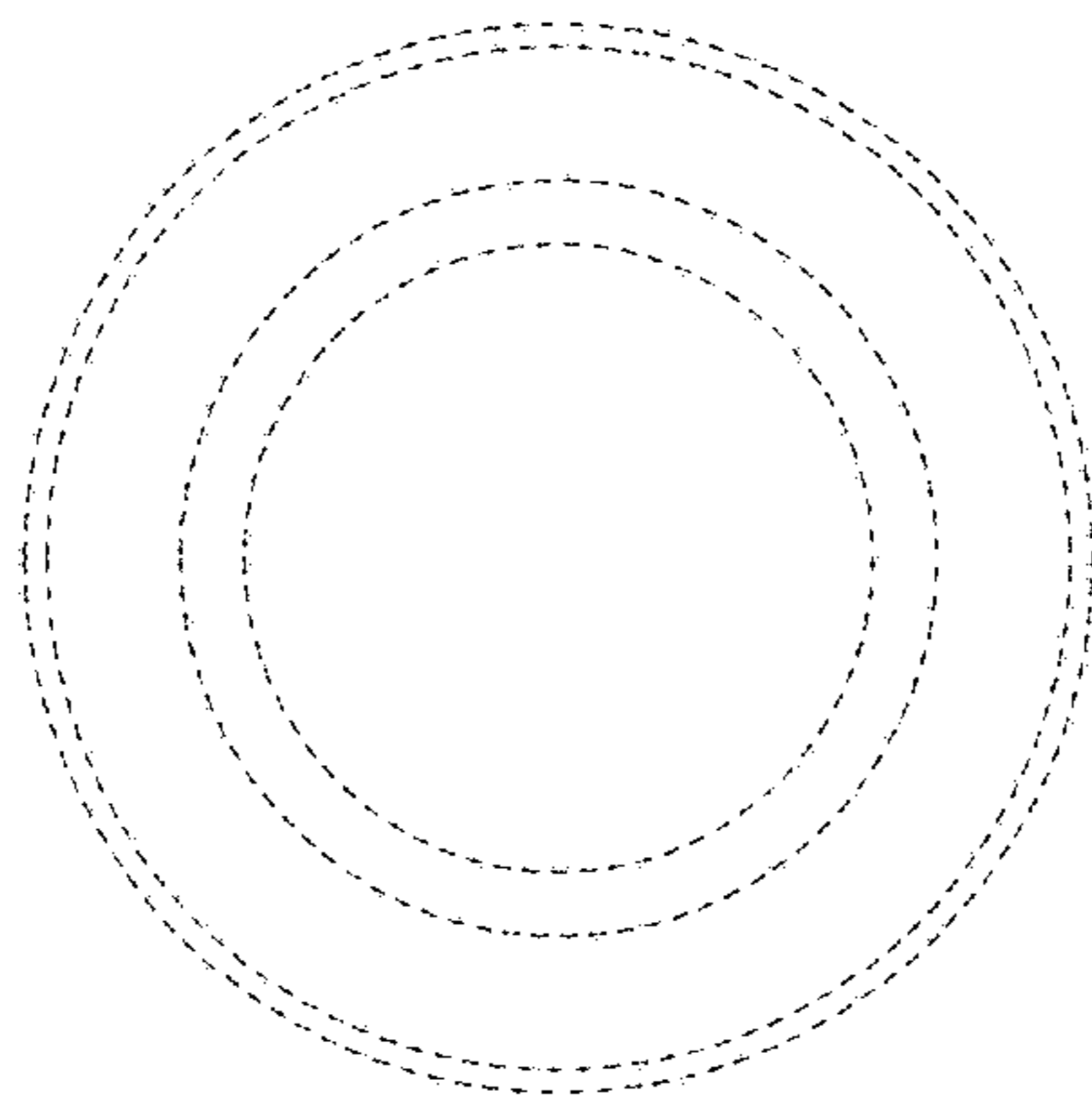


FIG. 23

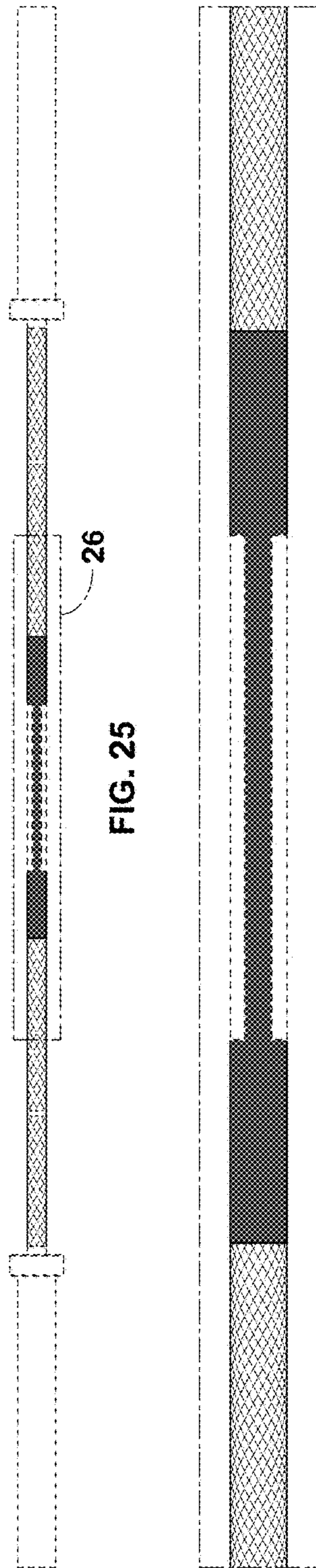


FIG. 25

FIG. 26

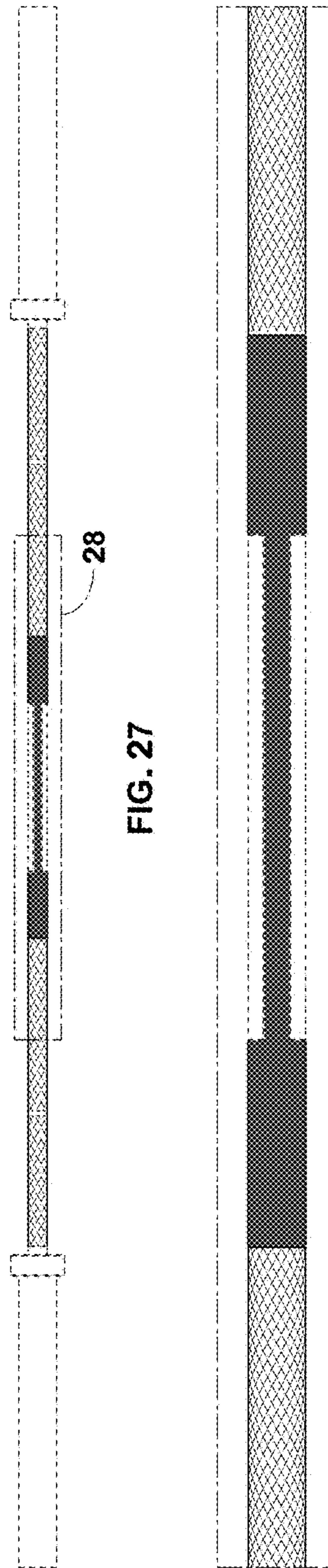


FIG. 27

FIG. 28

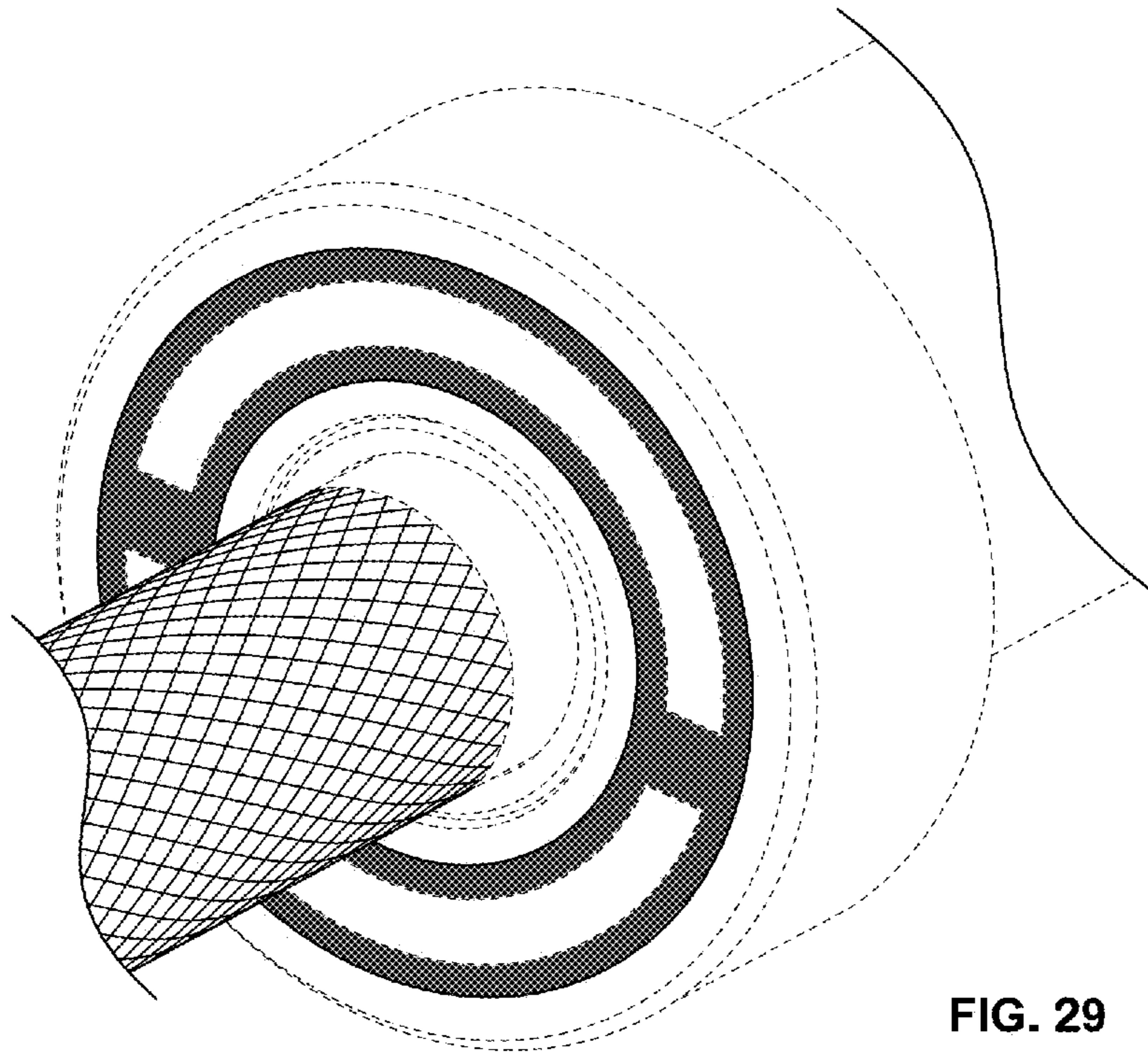


FIG. 29

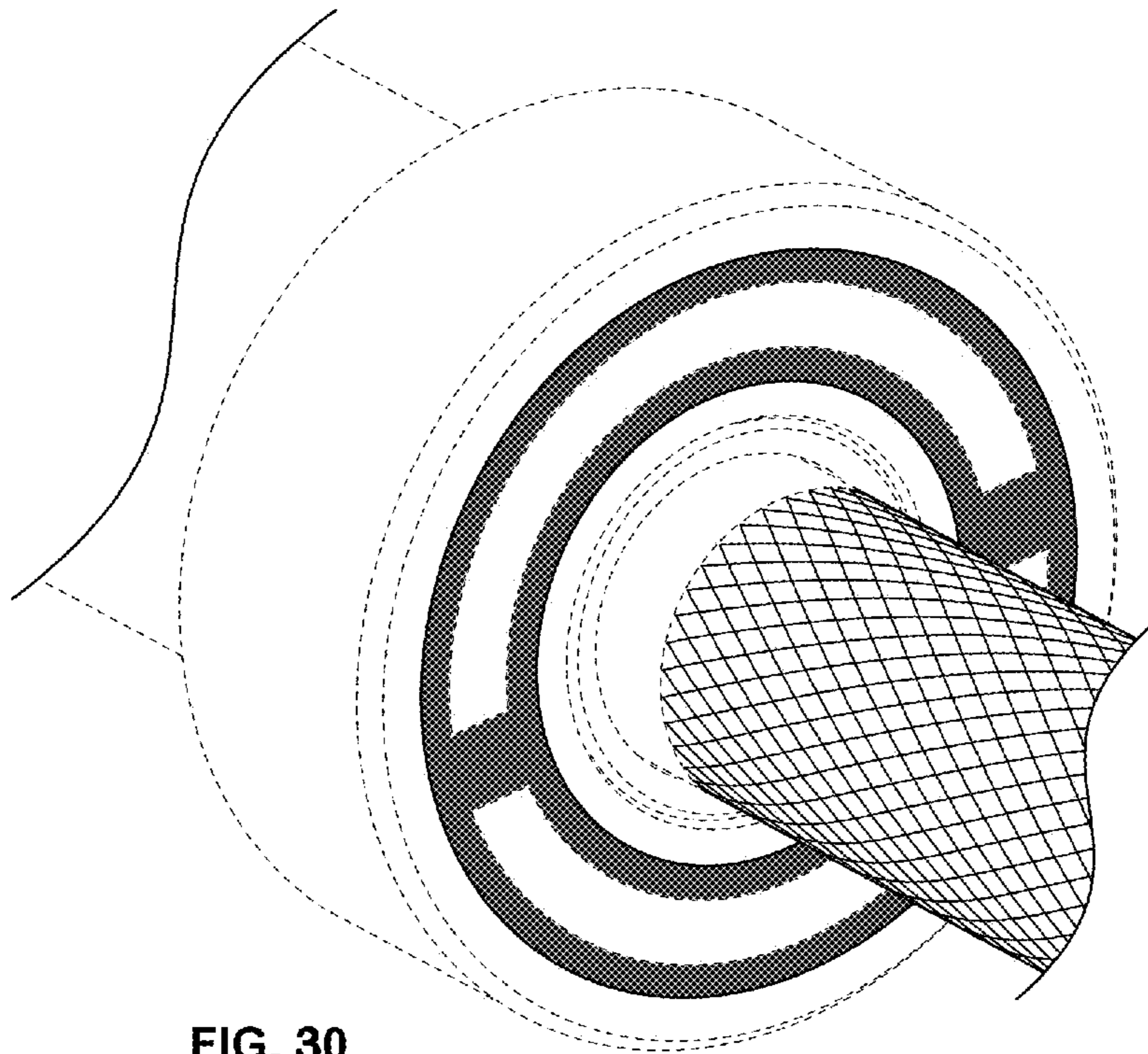


FIG. 30



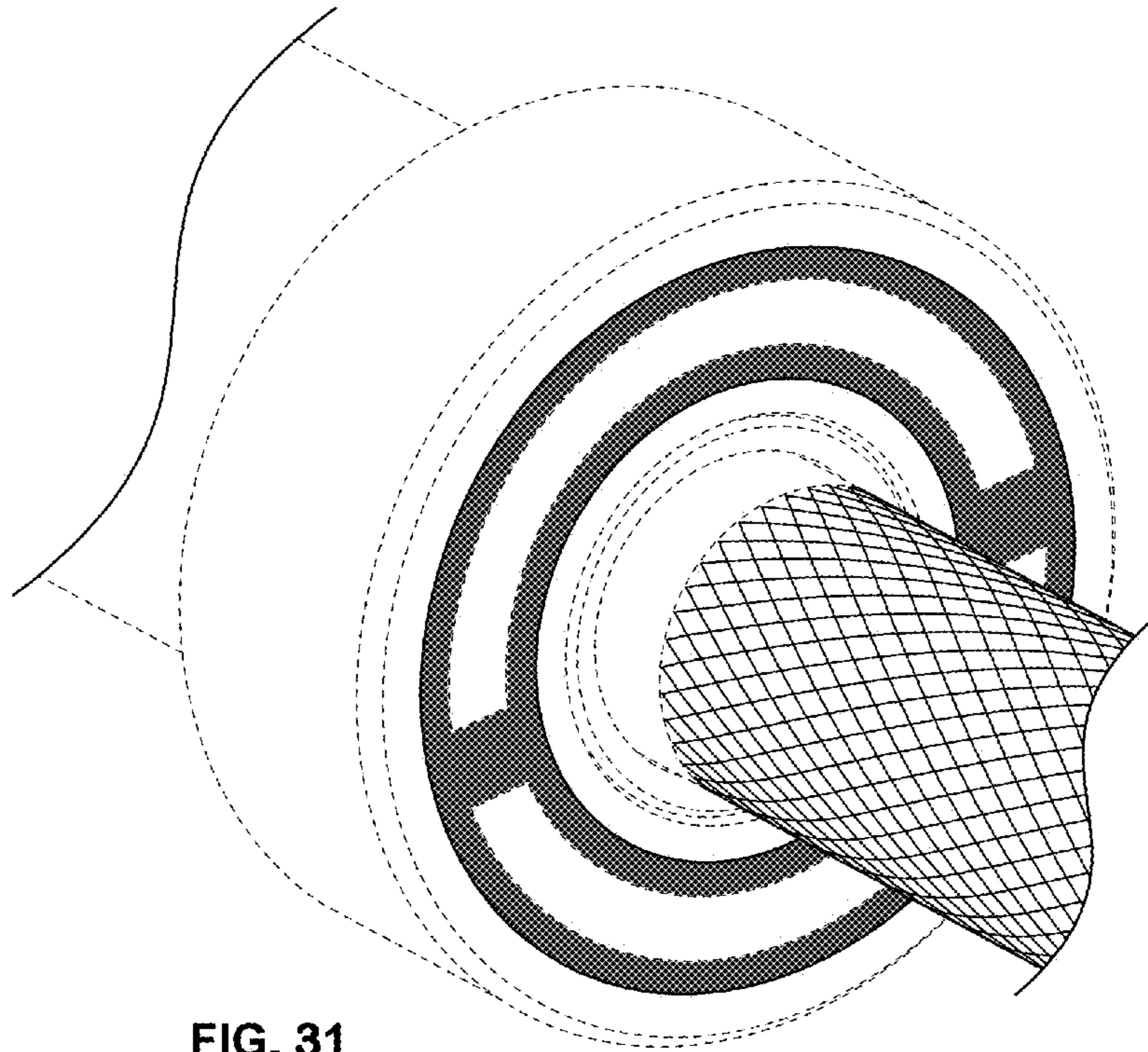


FIG. 31

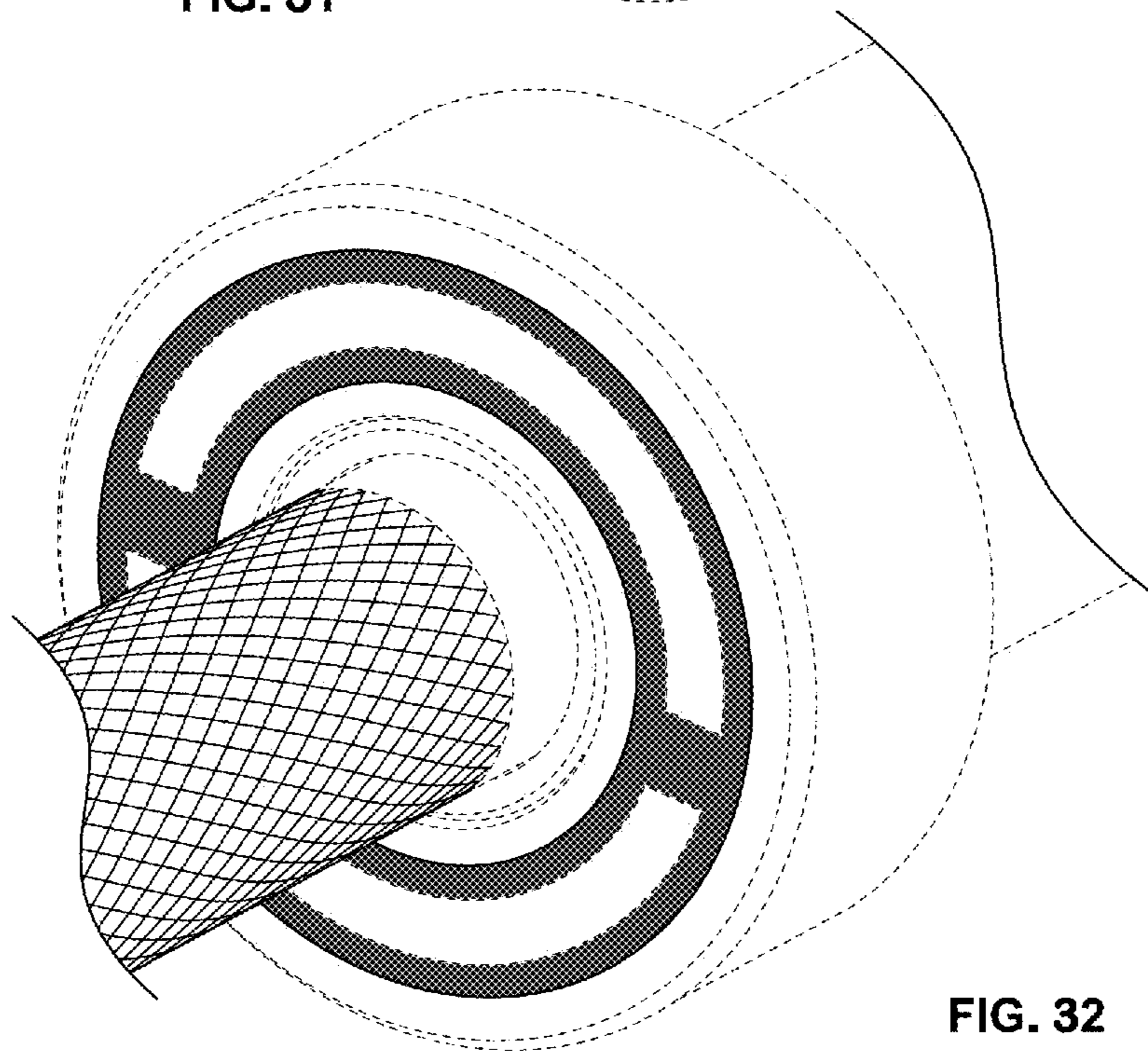


FIG. 32

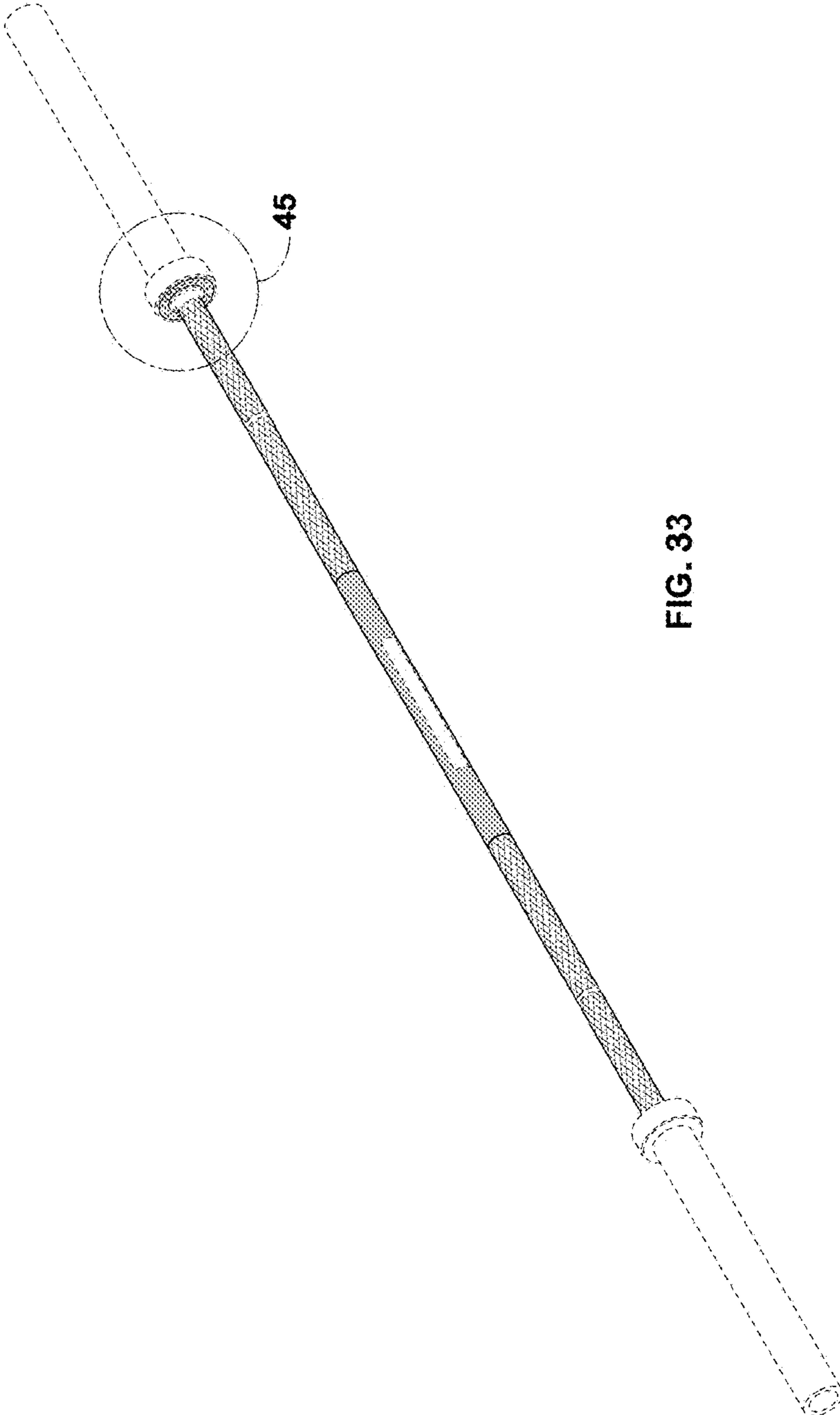


FIG. 33

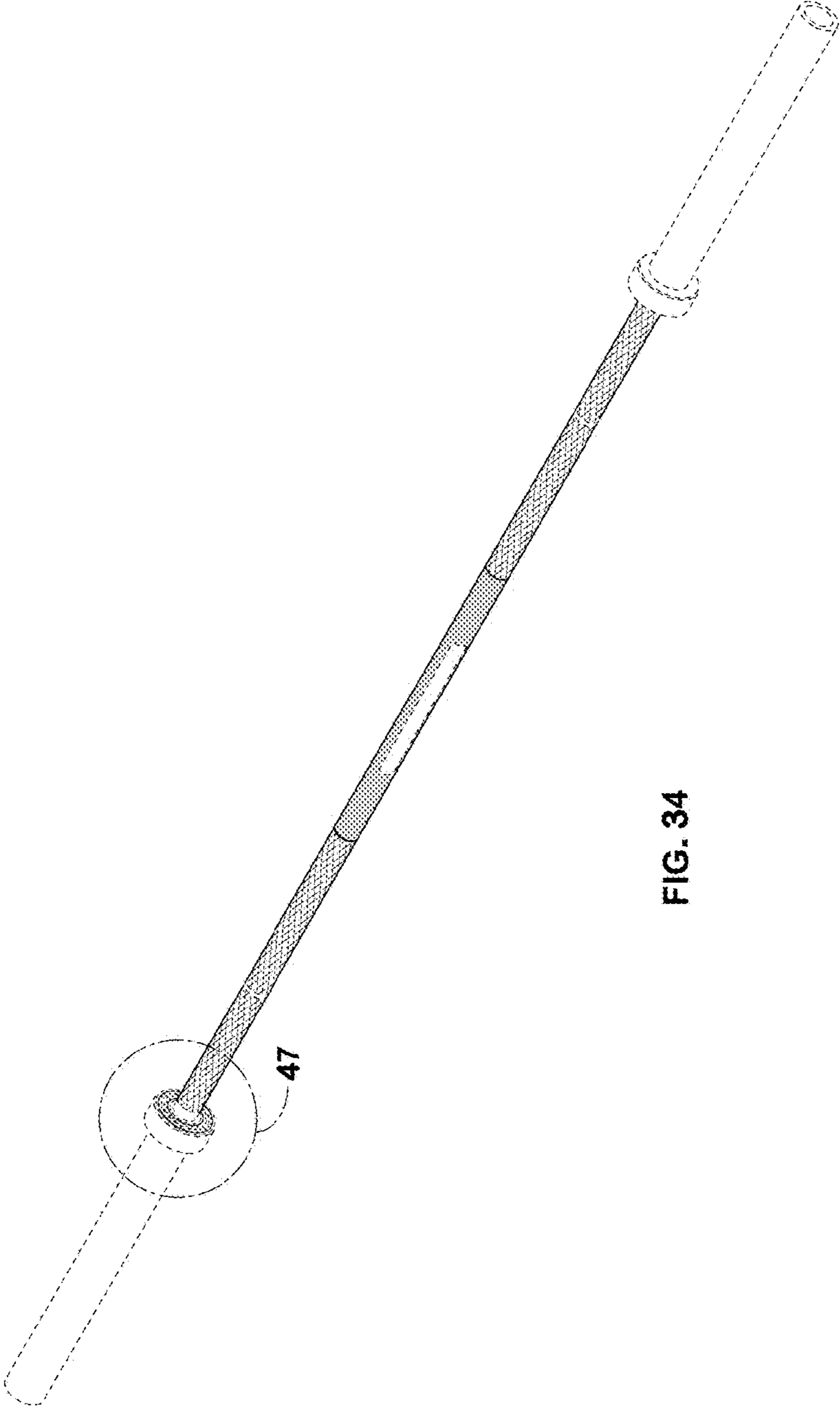


FIG. 34

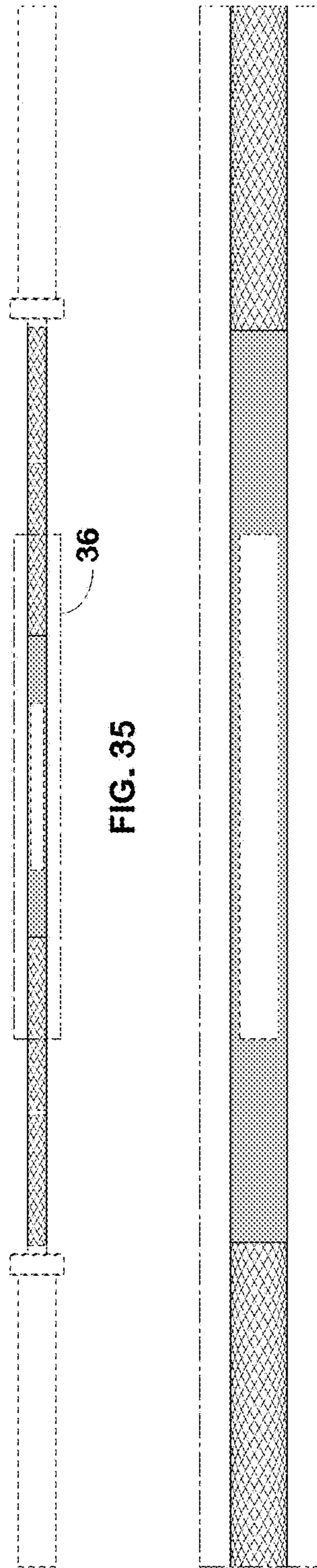


FIG. 36

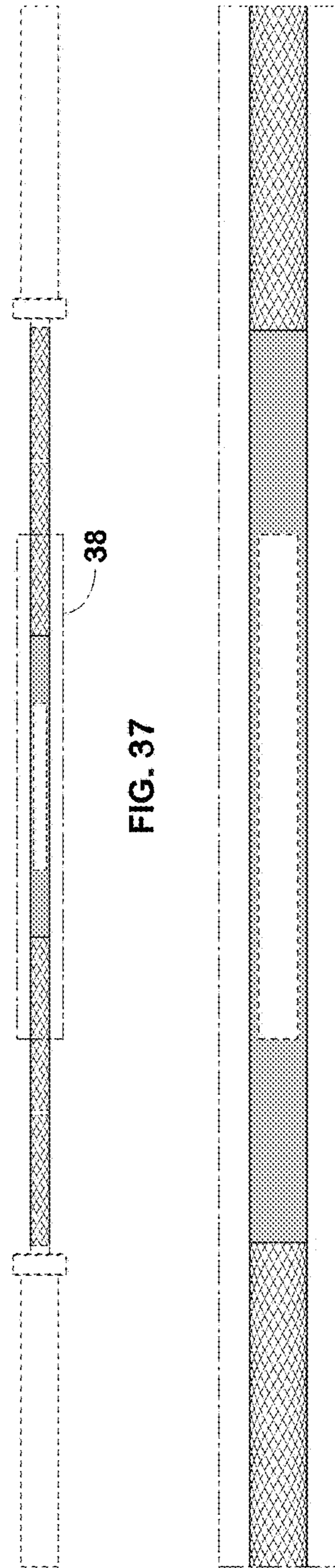


FIG. 37

FIG. 38

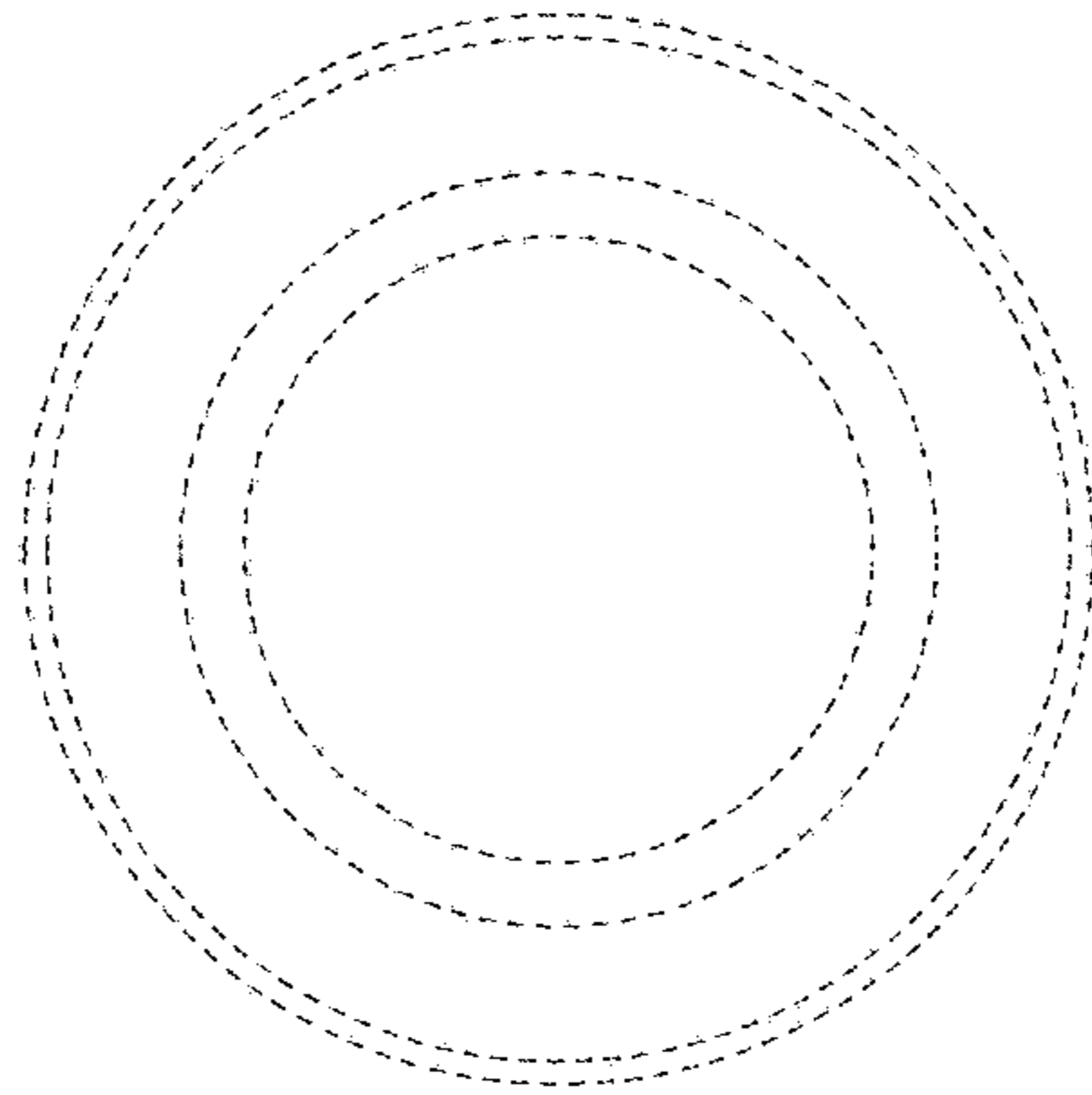


FIG. 40

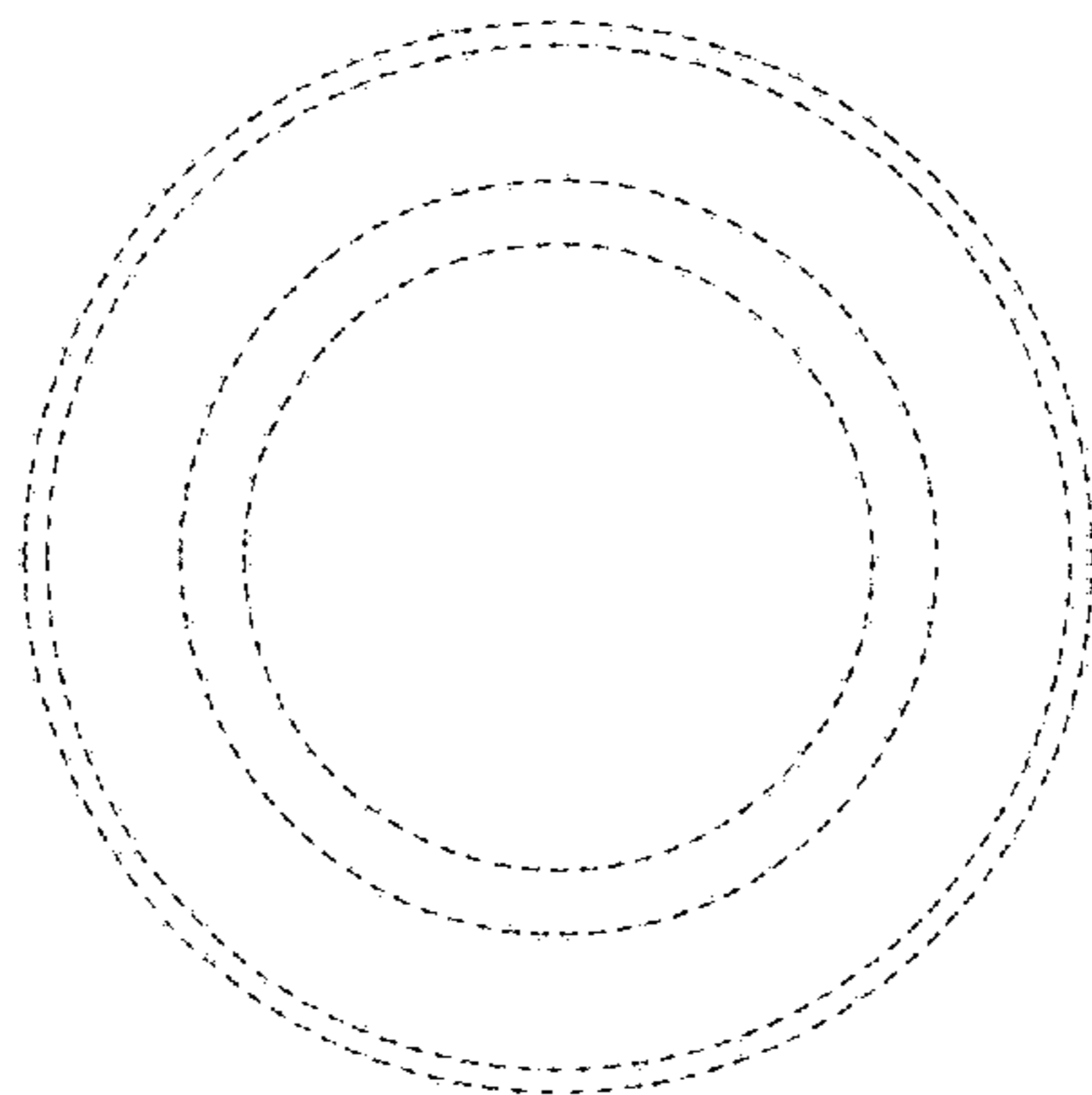


FIG. 39

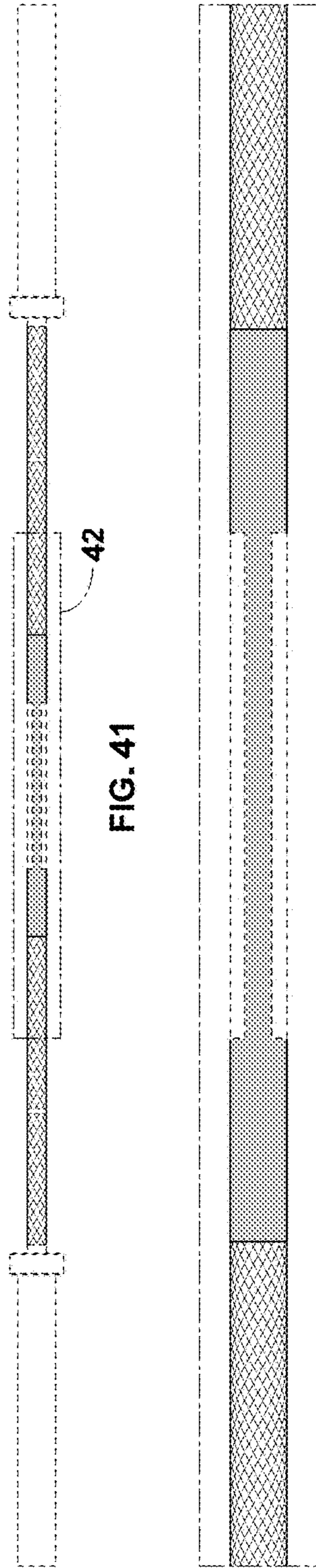


FIG. 41

FIG. 42

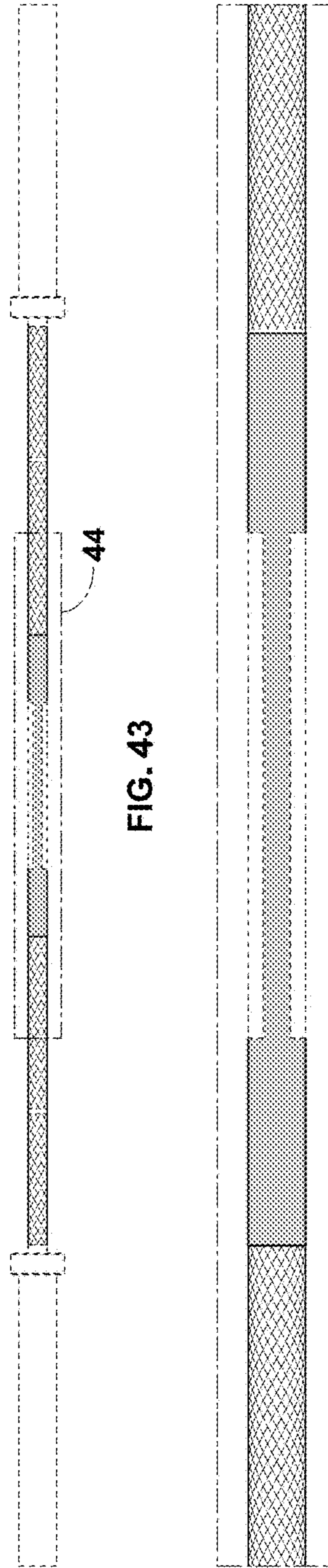


FIG. 43

FIG. 44

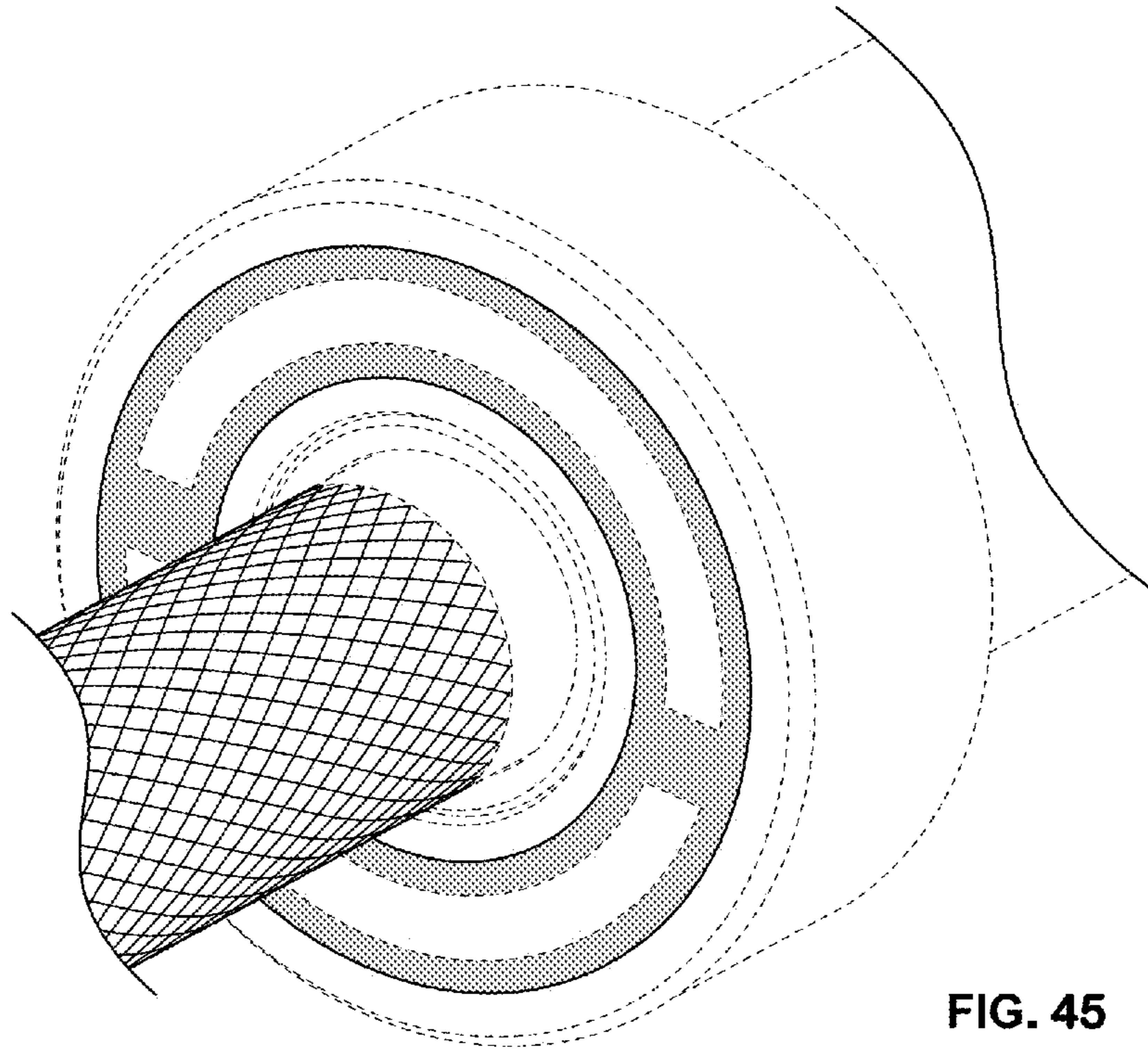


FIG. 45

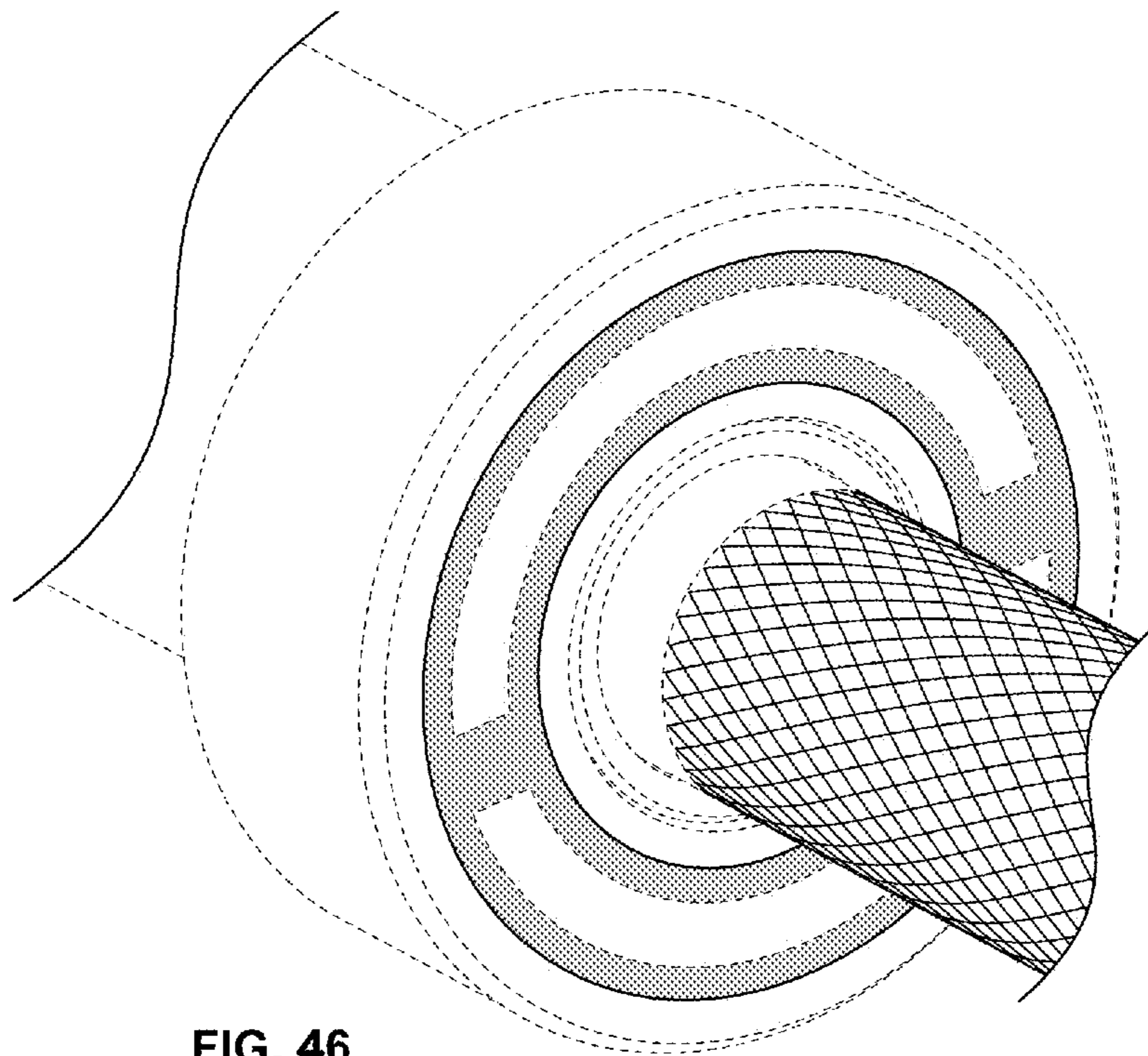


FIG. 46

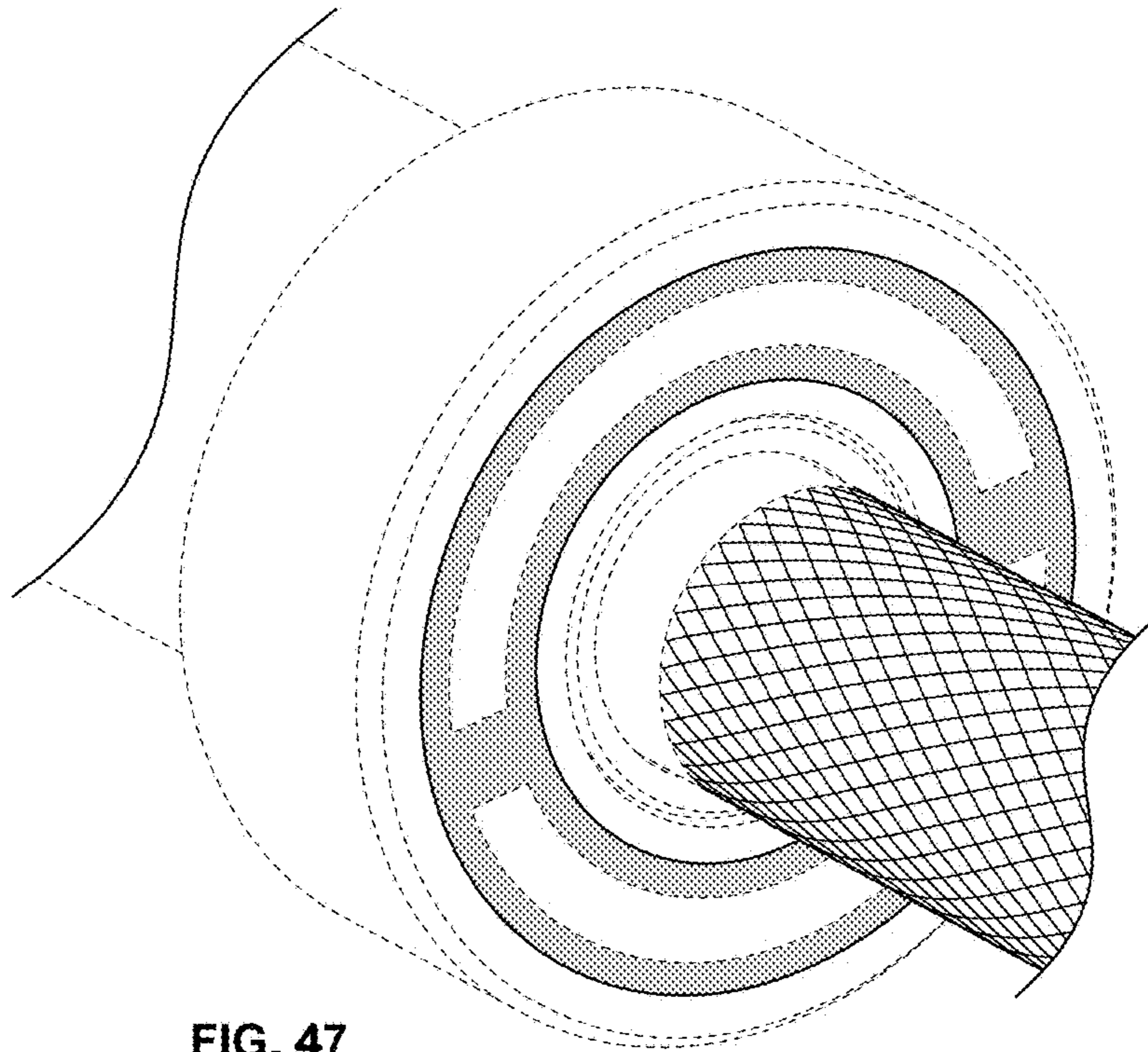


FIG. 47

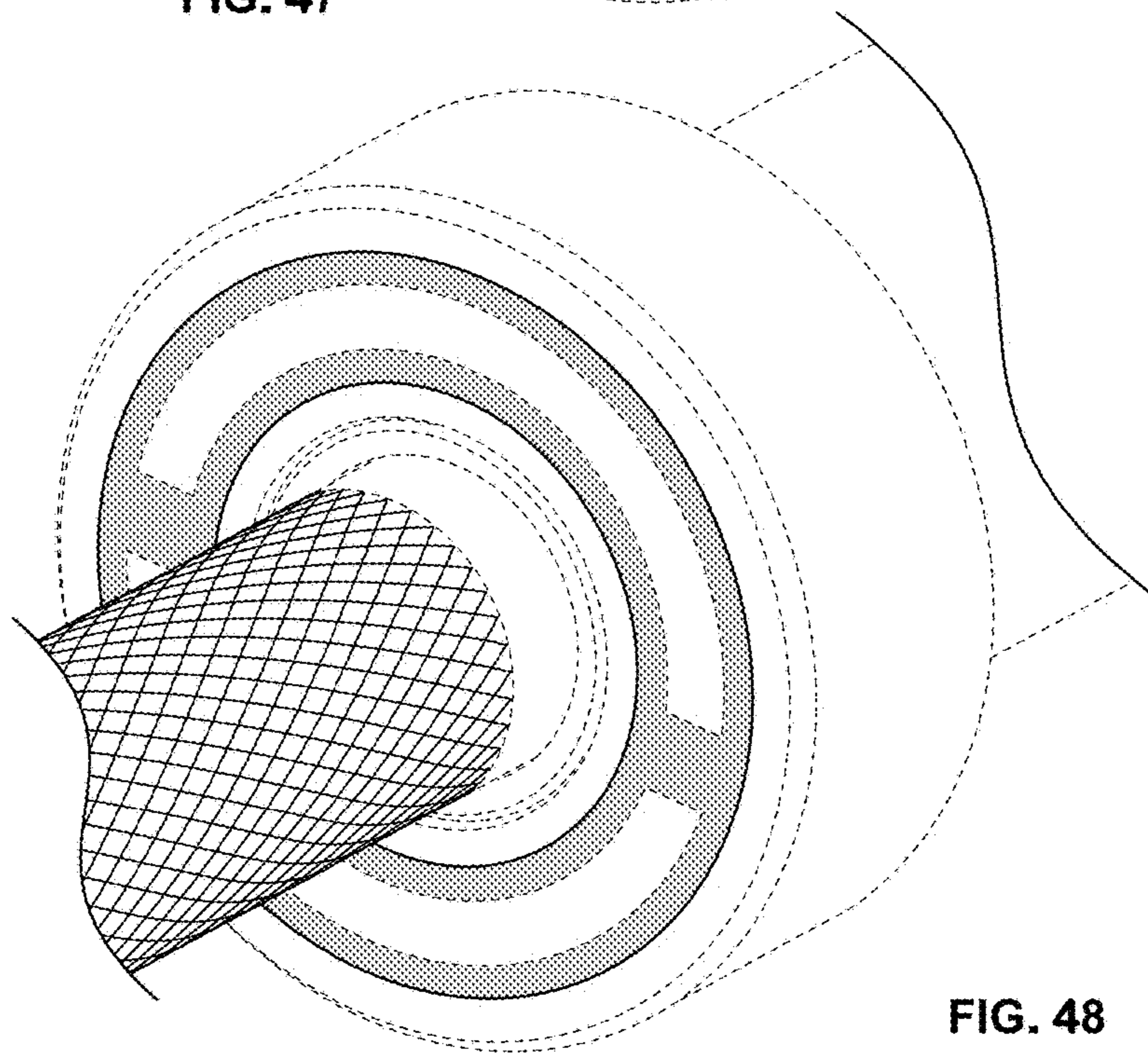


FIG. 48



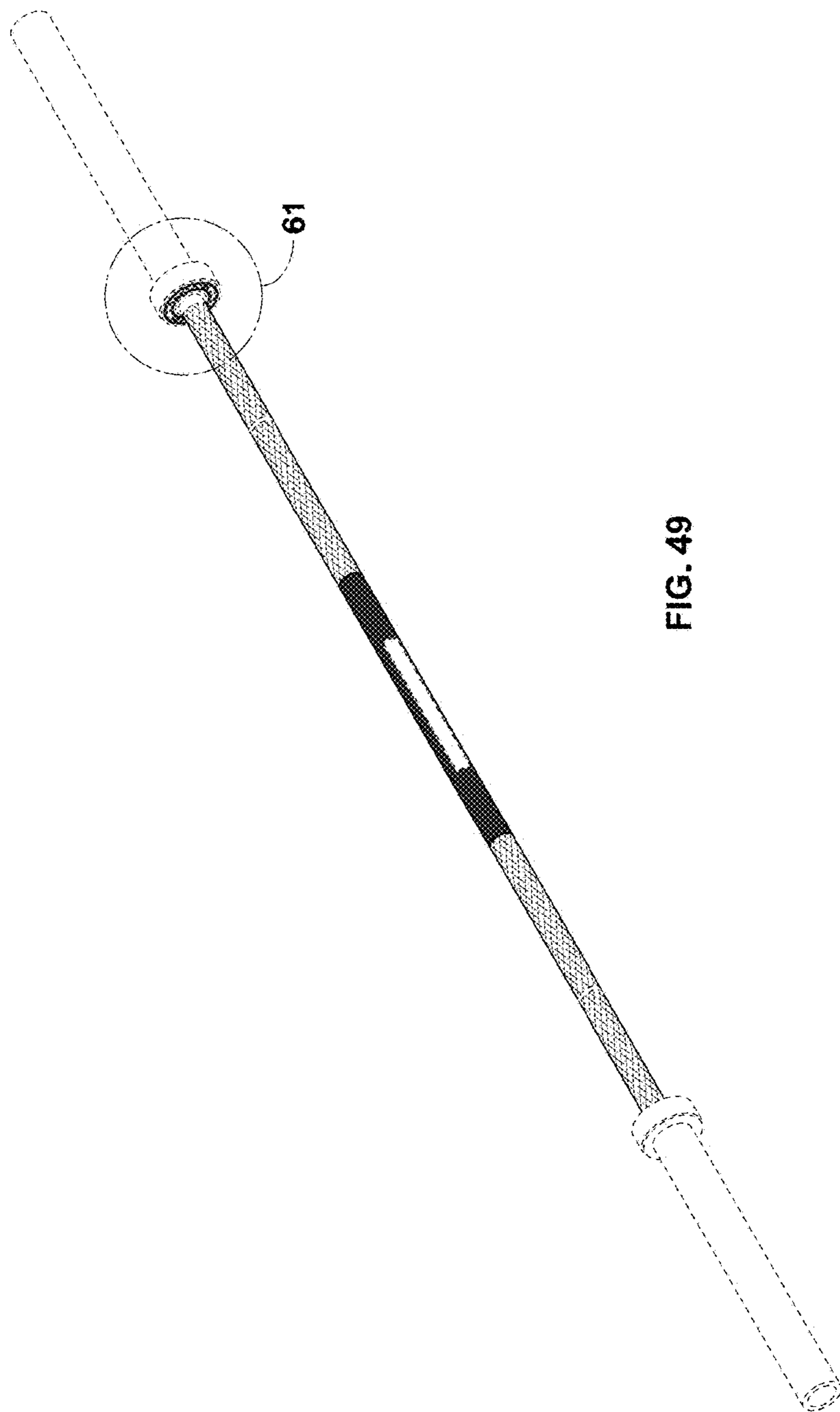


FIG. 49

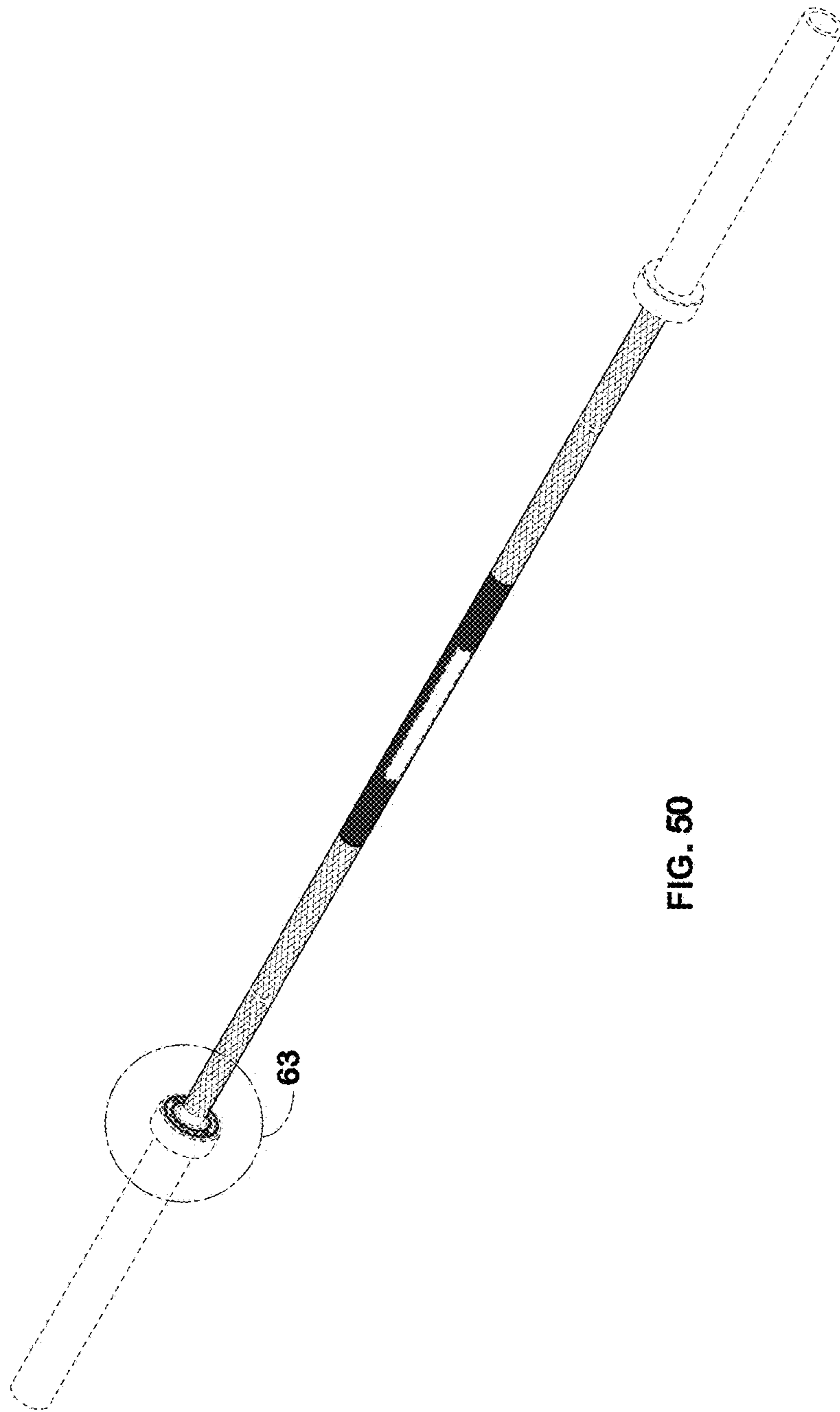


FIG. 50

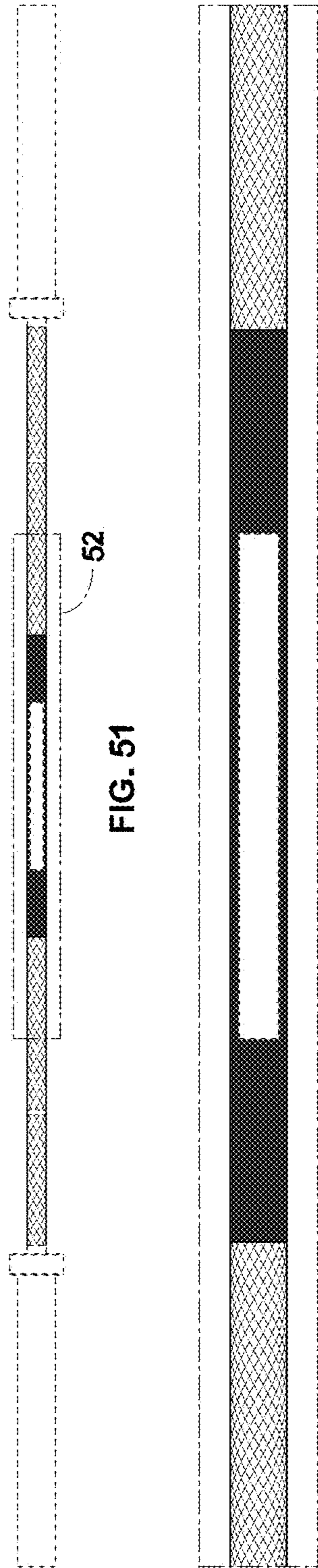


FIG. 52

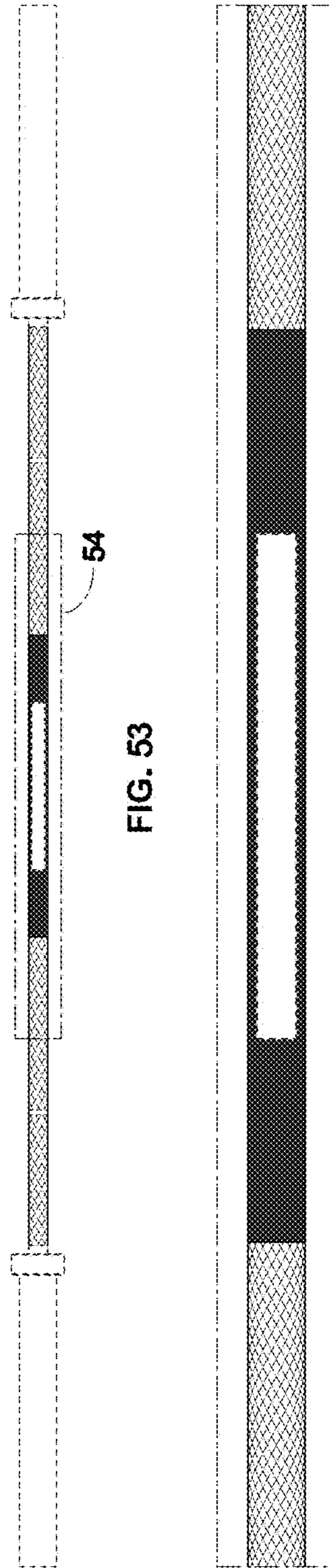


FIG. 53

FIG. 54

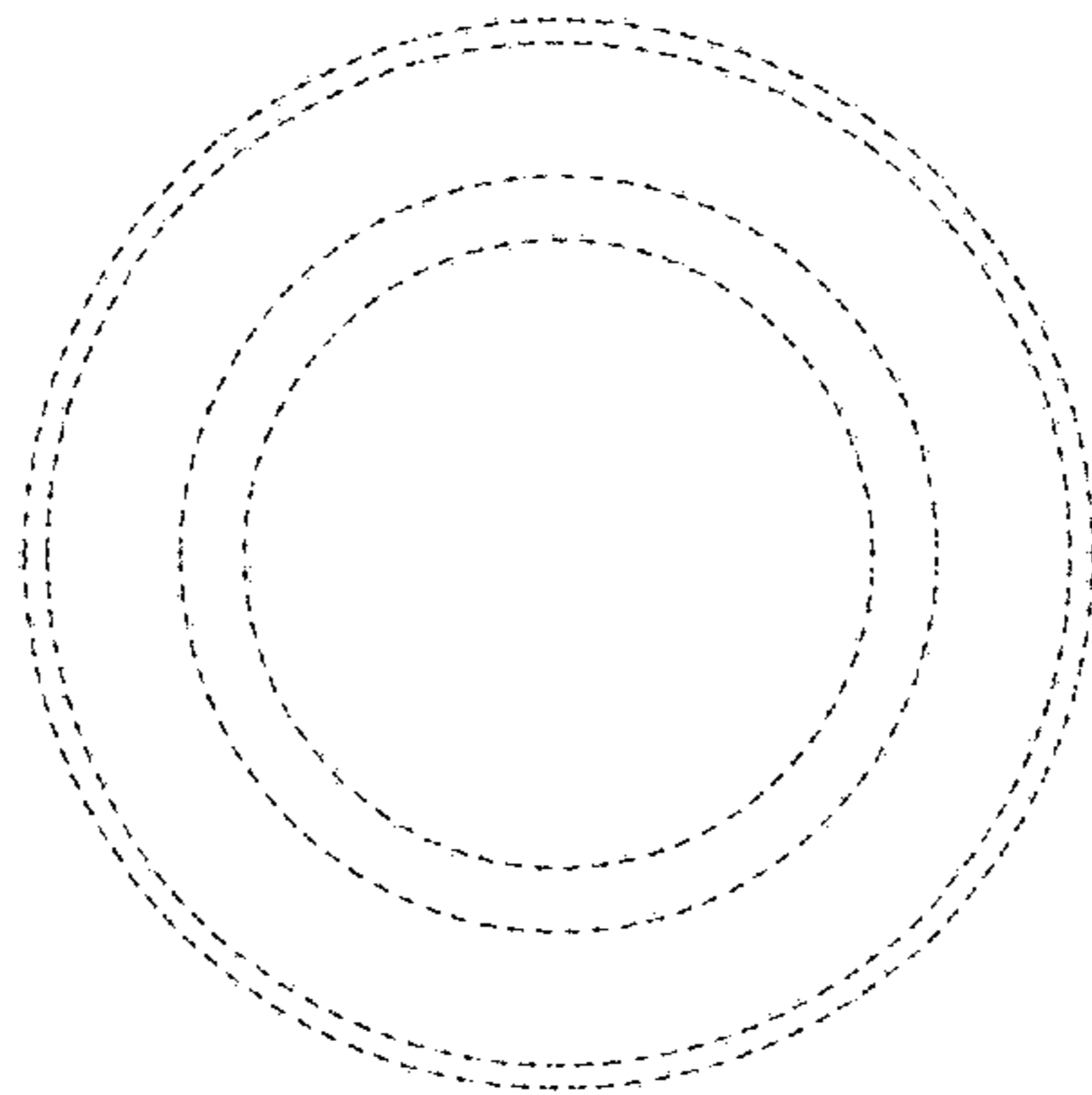


FIG. 56

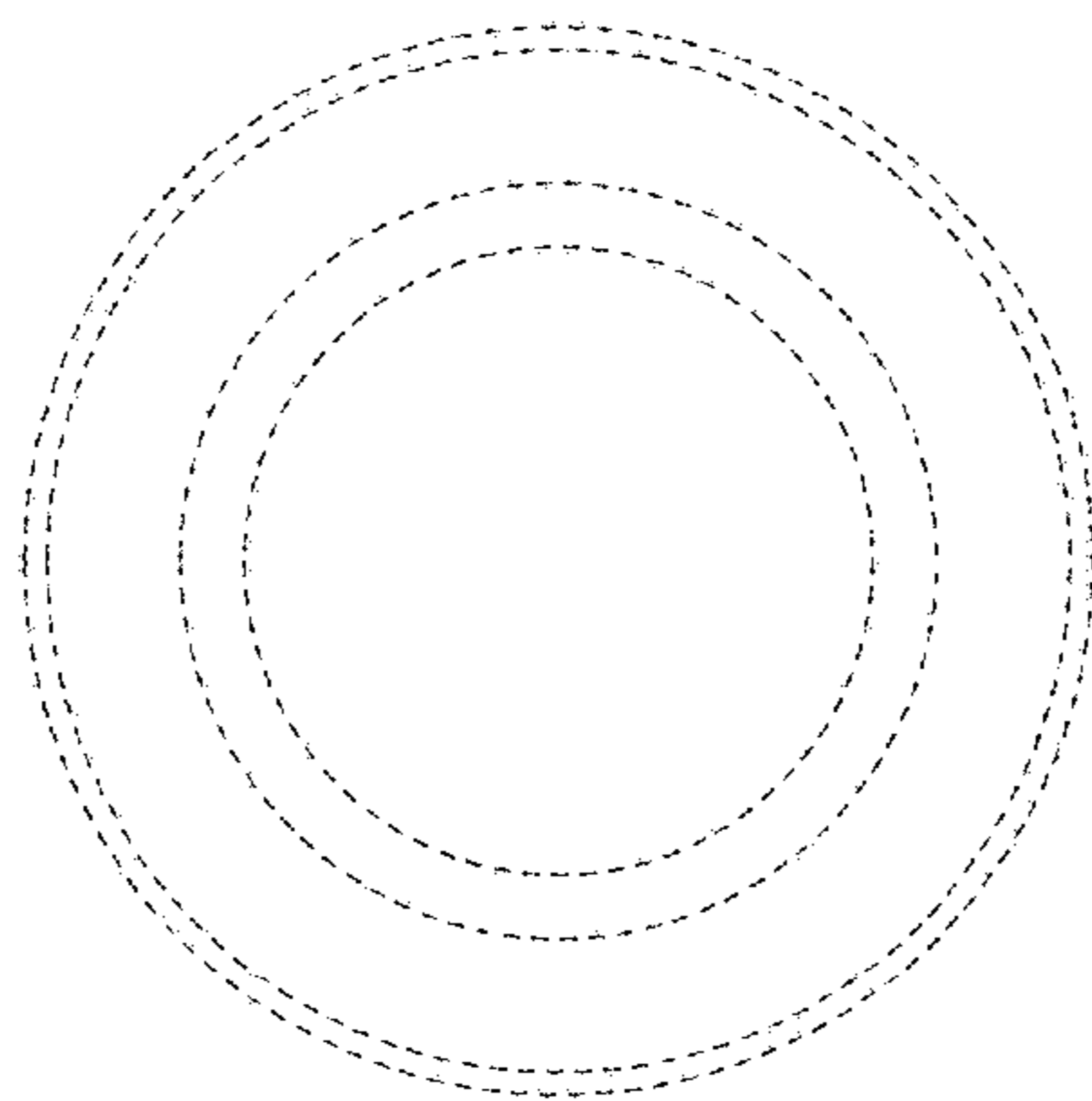


FIG. 55

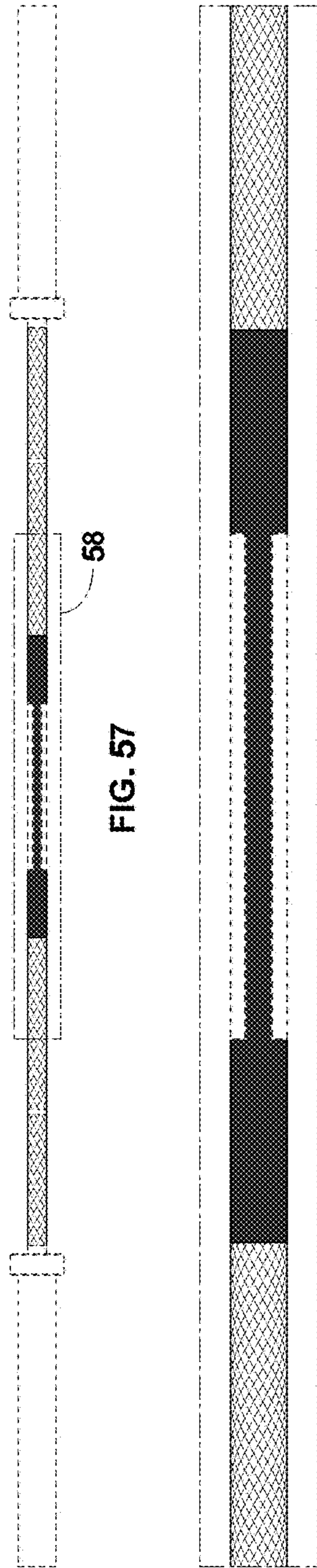


FIG. 58

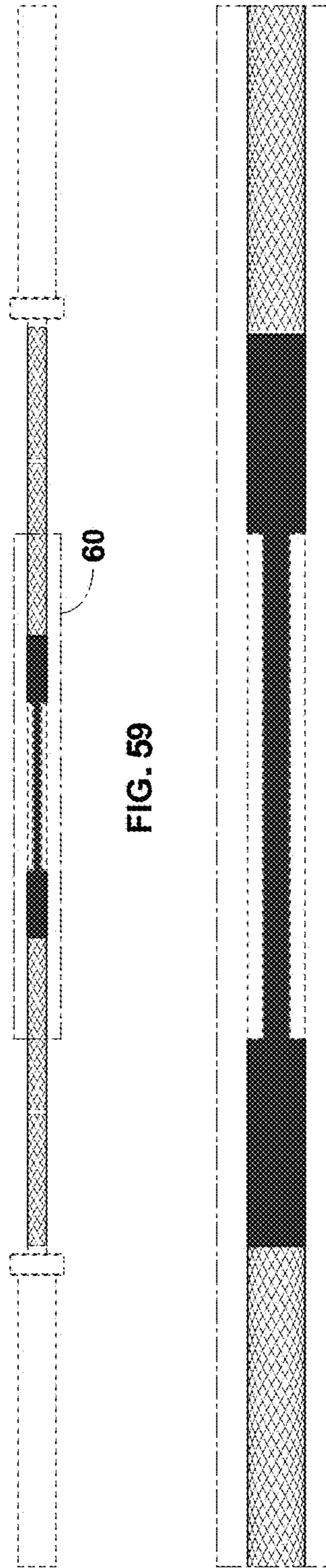
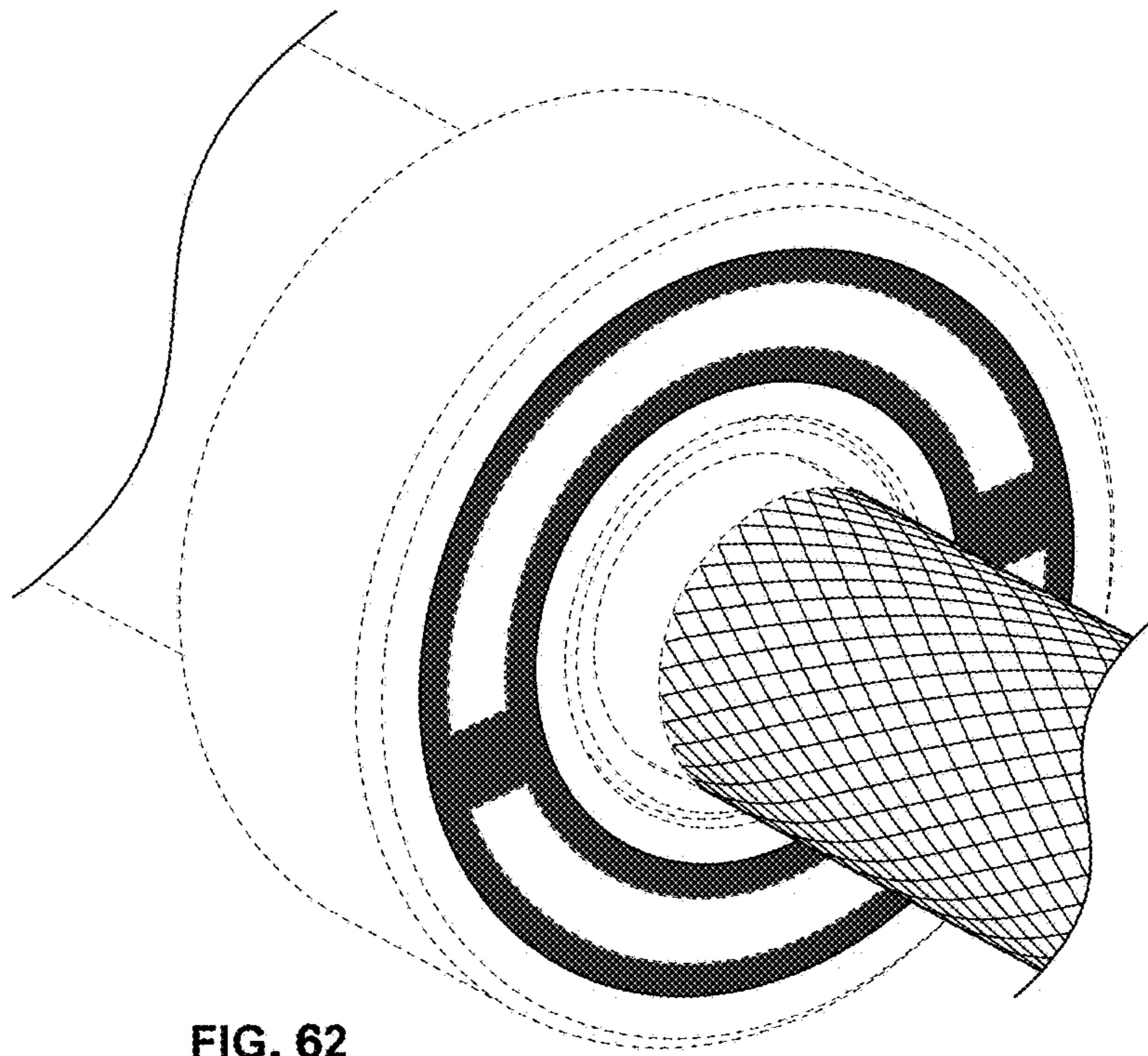
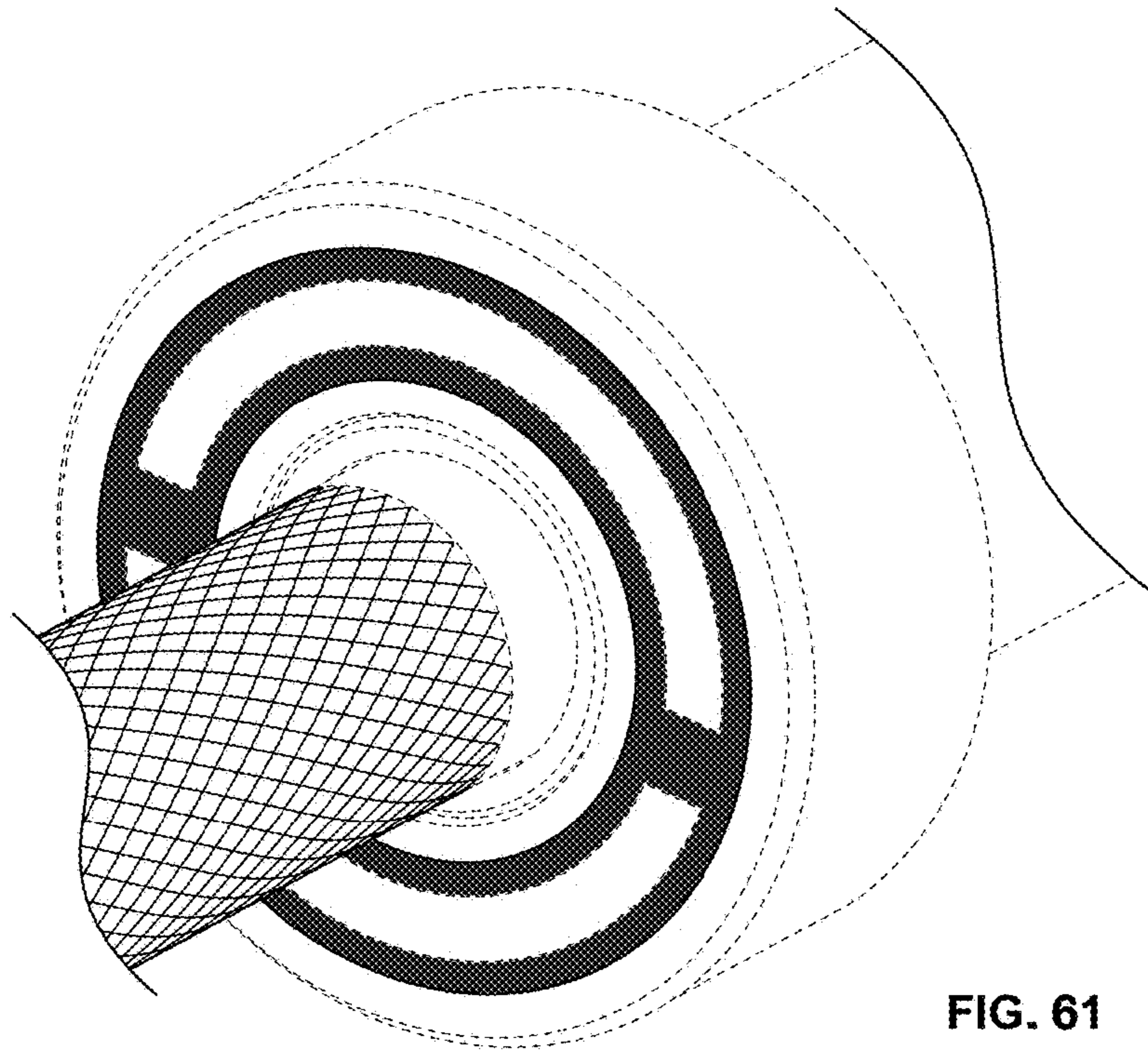


FIG. 59

FIG. 60



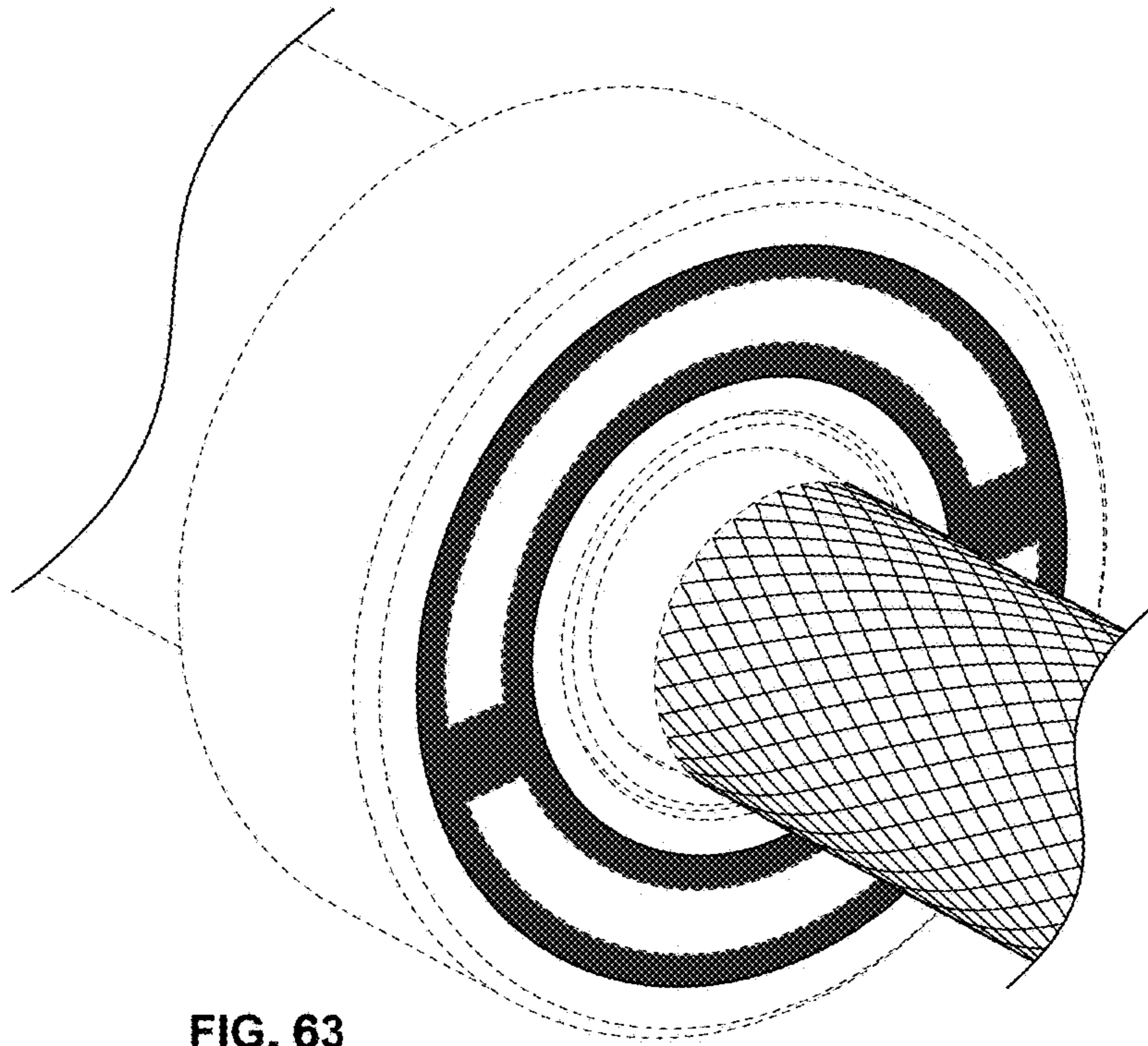


FIG. 63

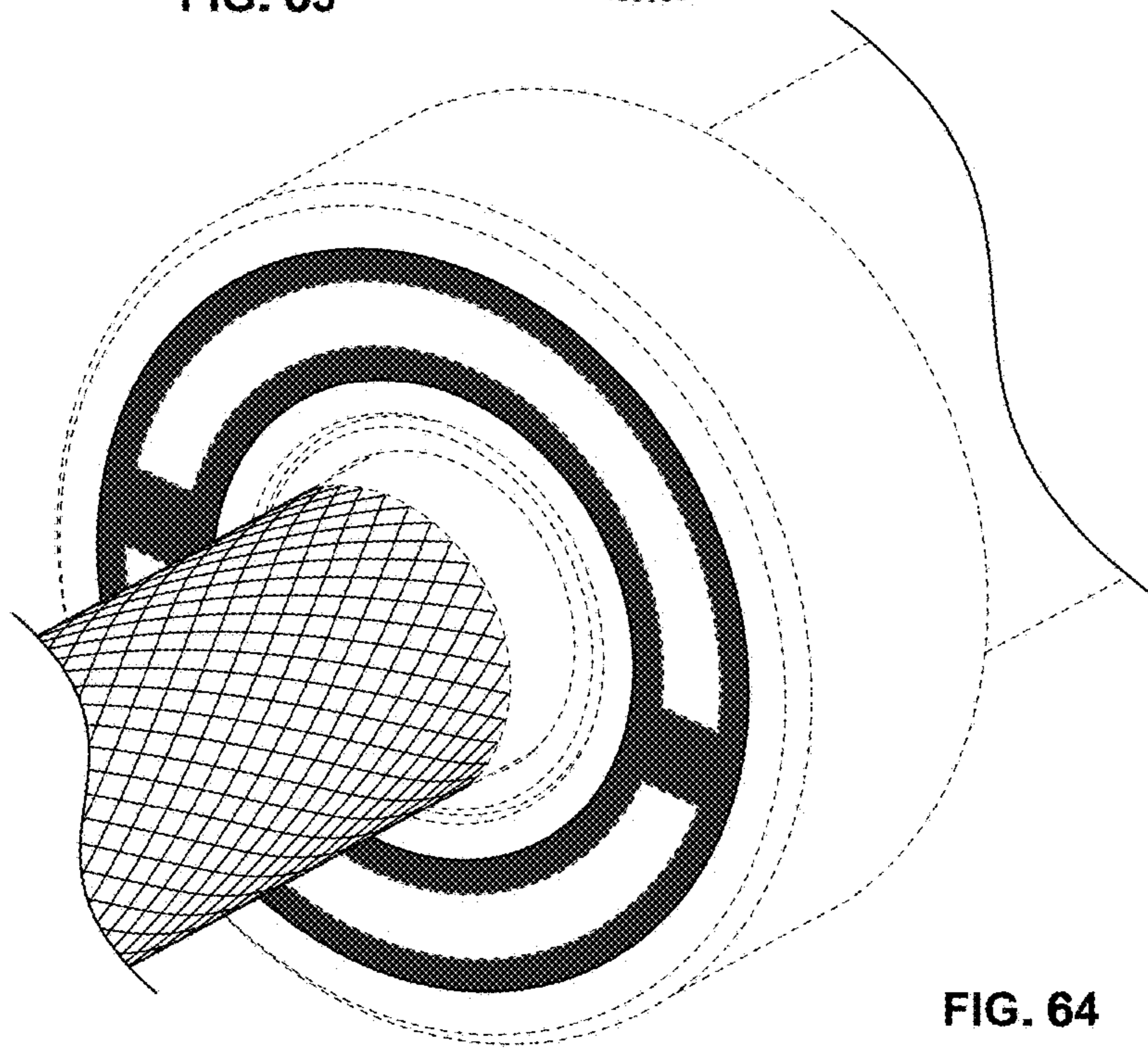


FIG. 64

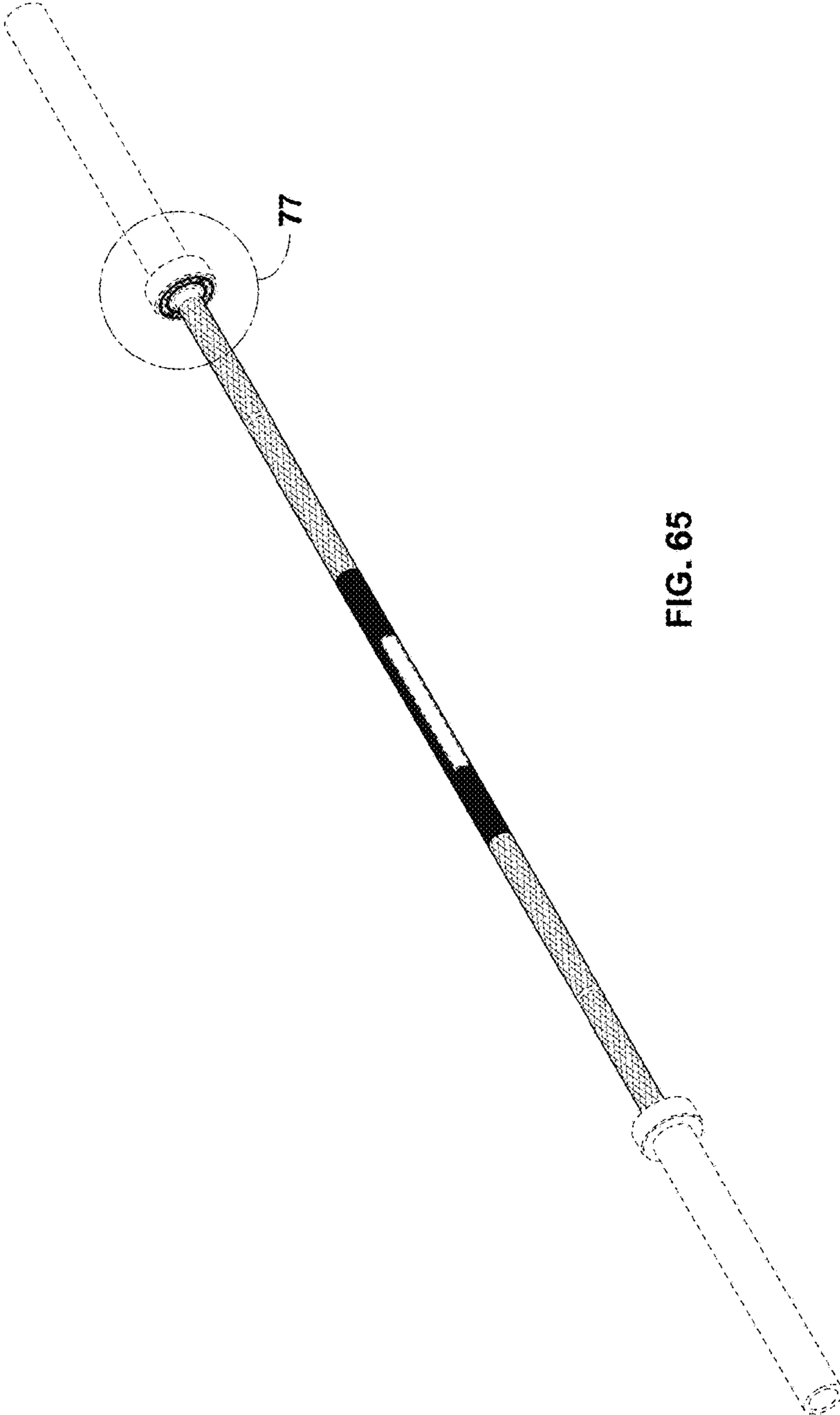


FIG. 65



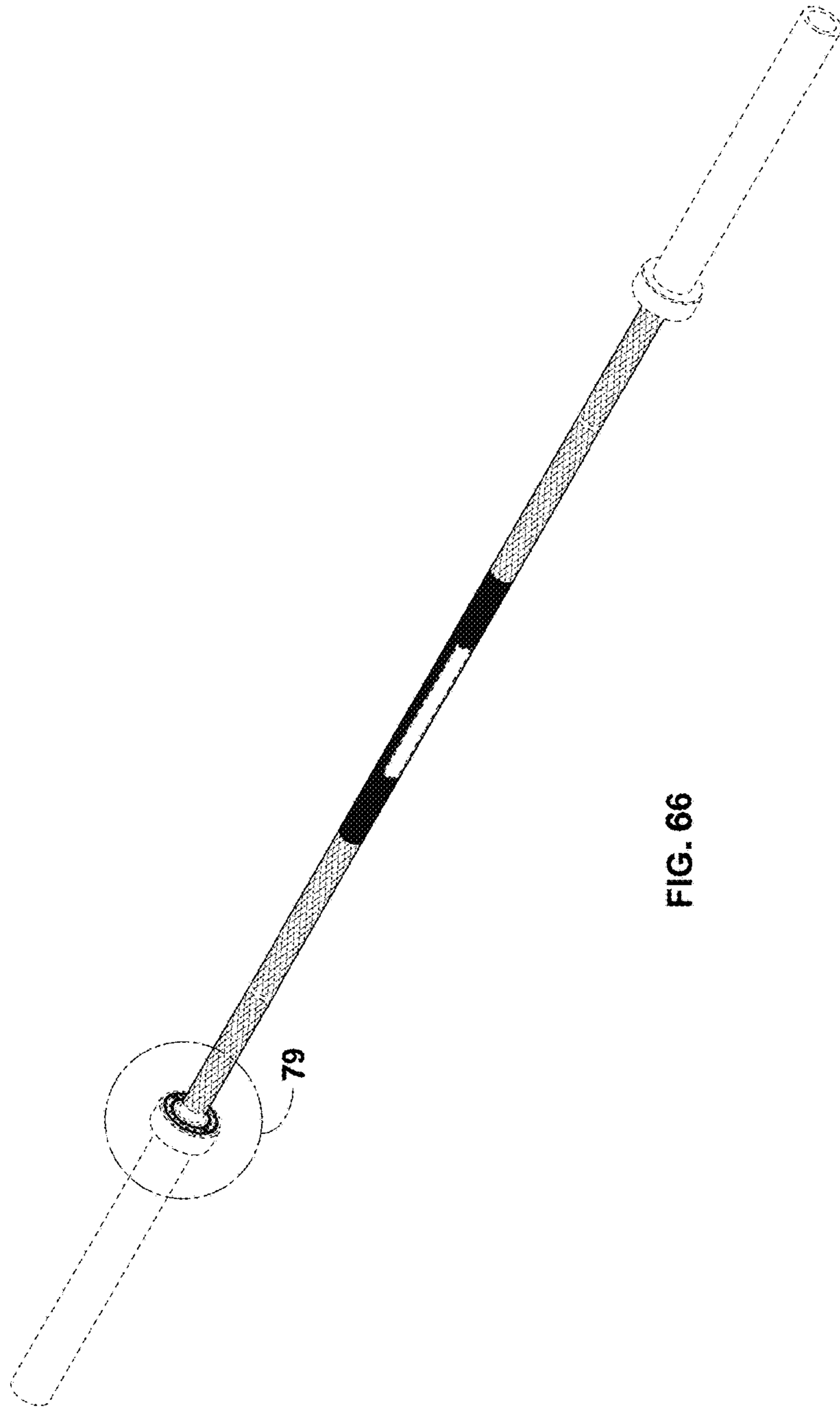


FIG. 66

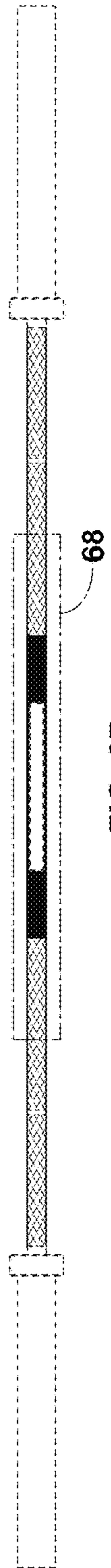


FIG. 67

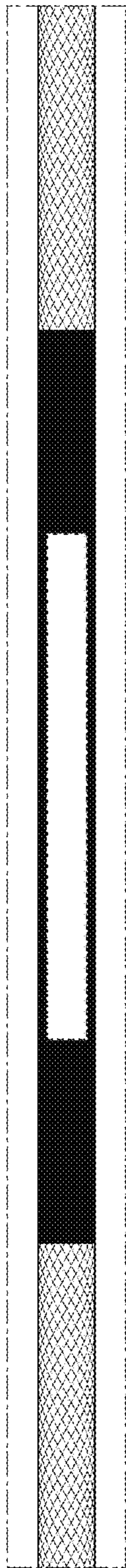


FIG. 68

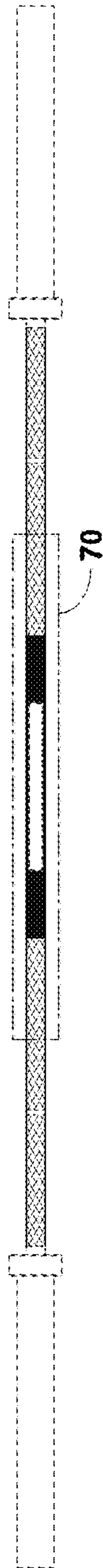


FIG. 69

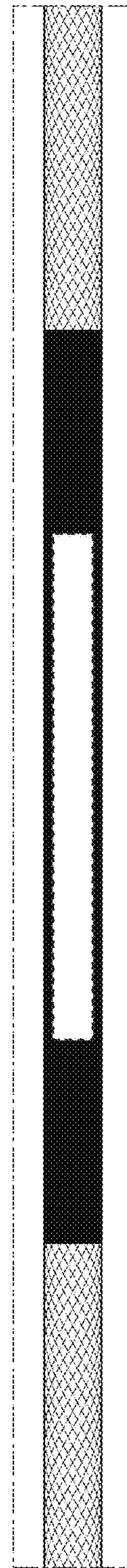


FIG. 70

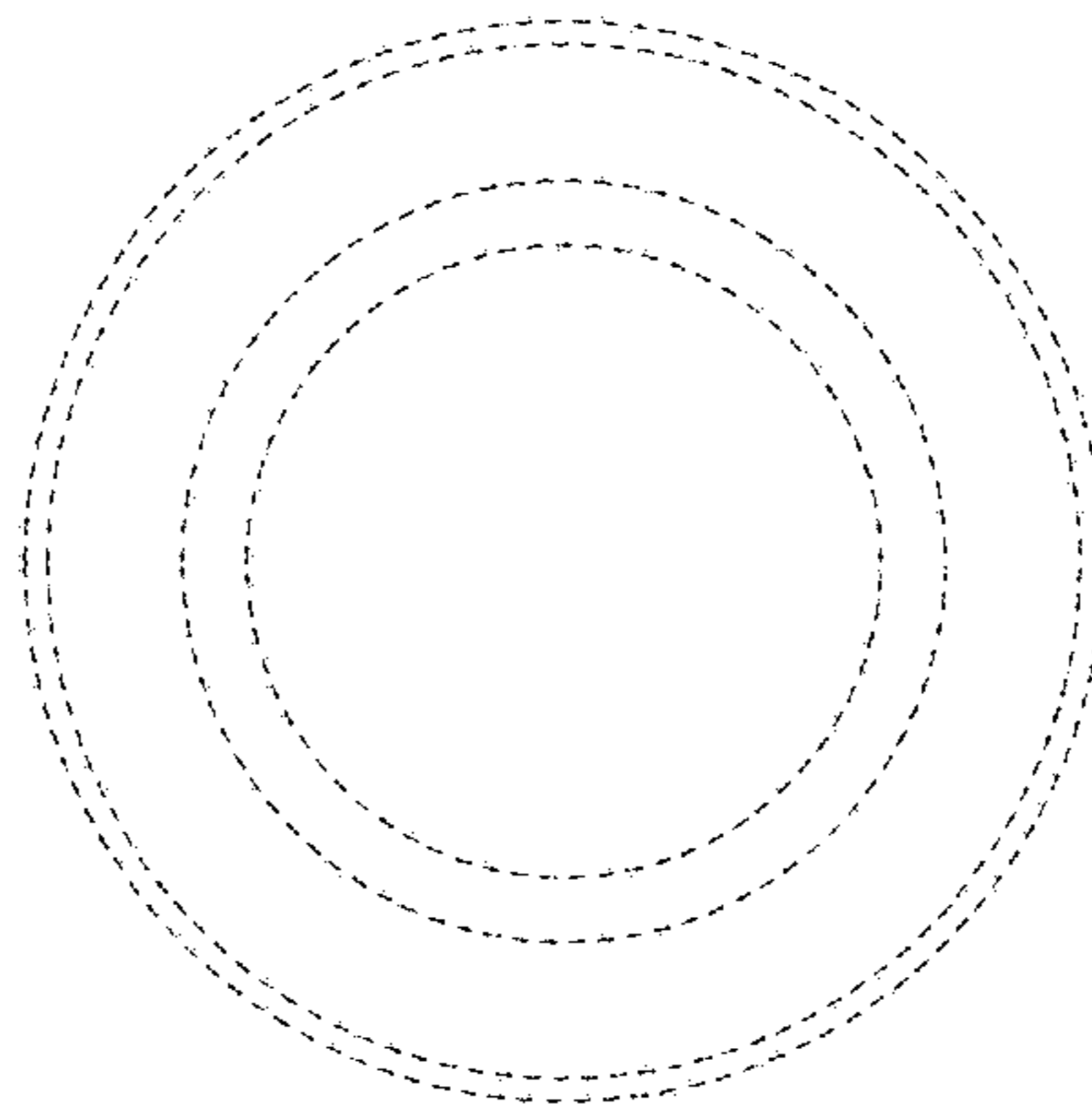


FIG. 72

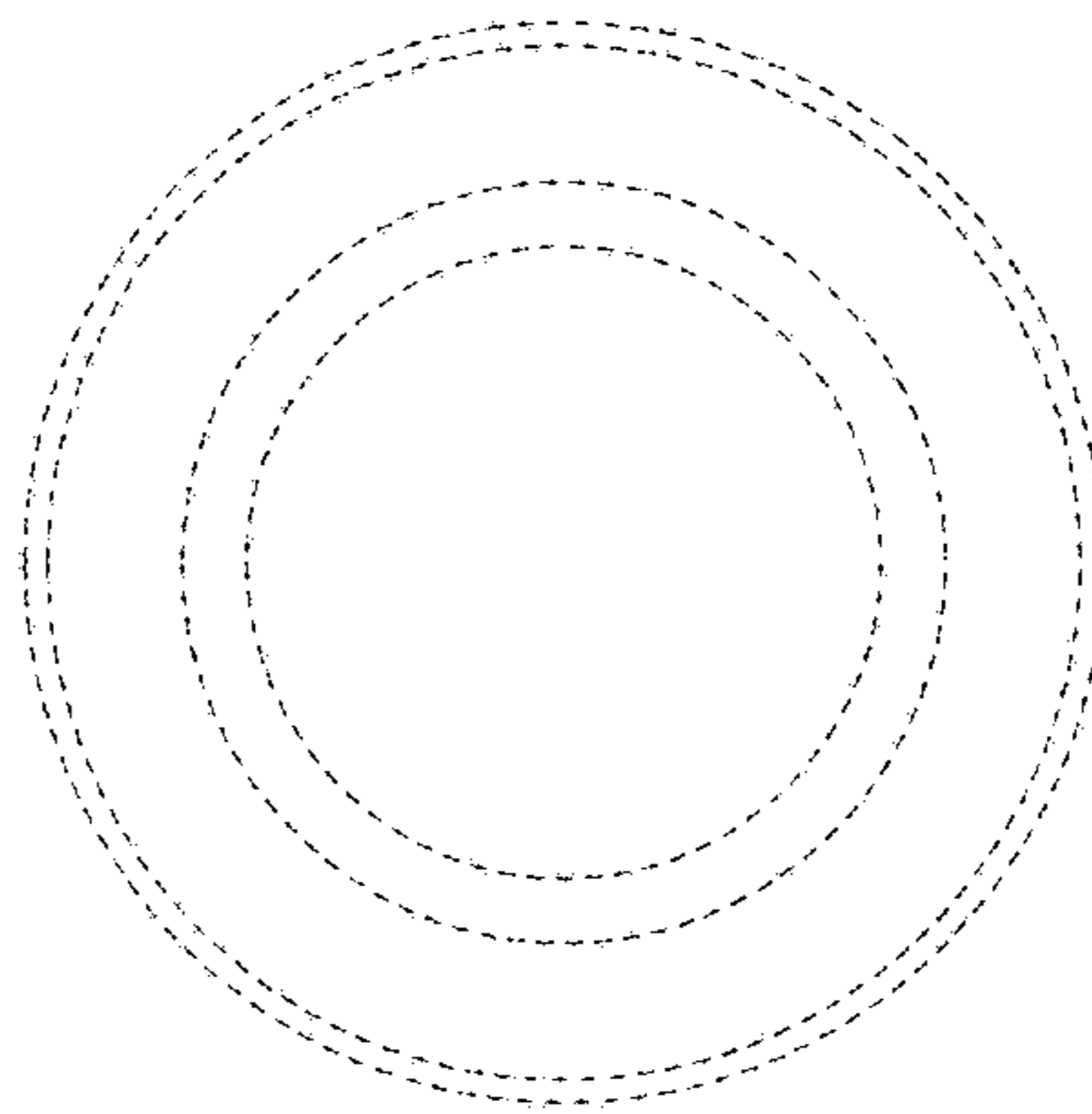


FIG. 71

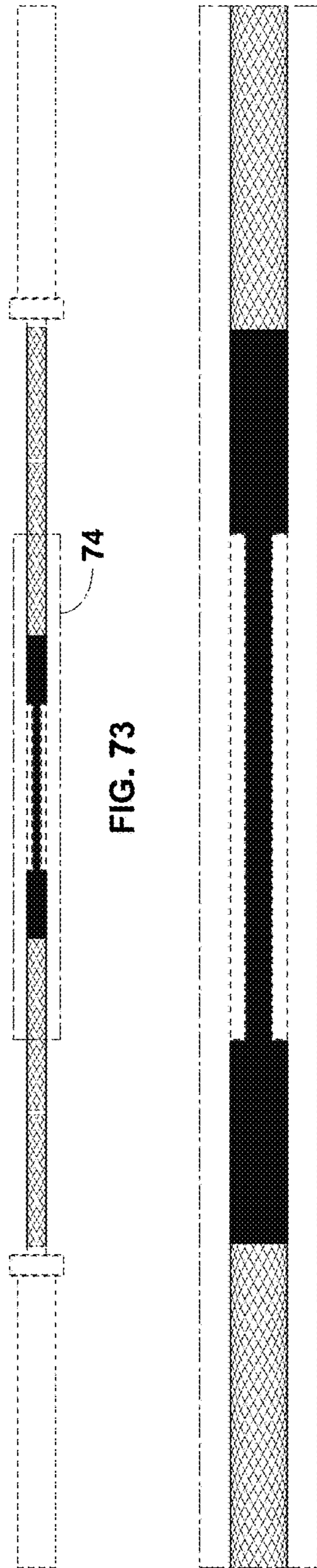


FIG. 73

FIG. 74

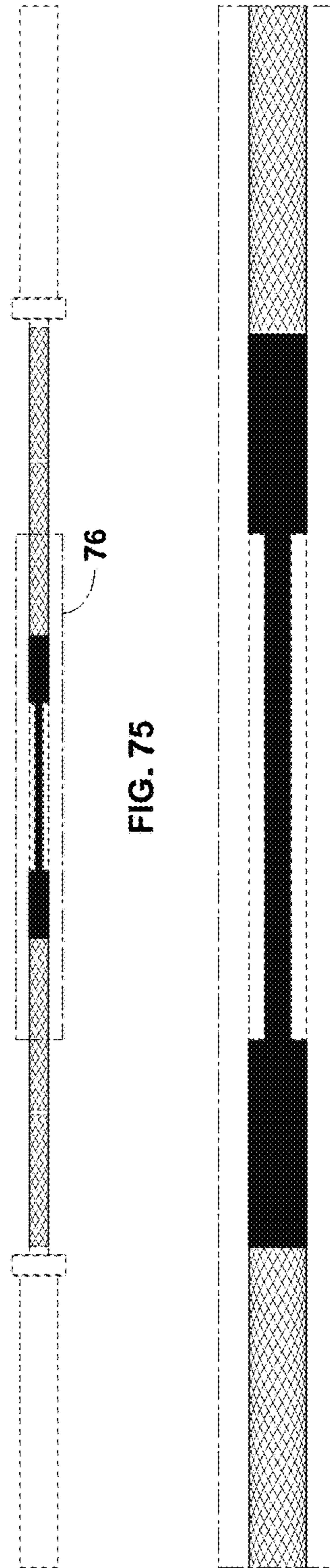


FIG. 75

FIG. 76

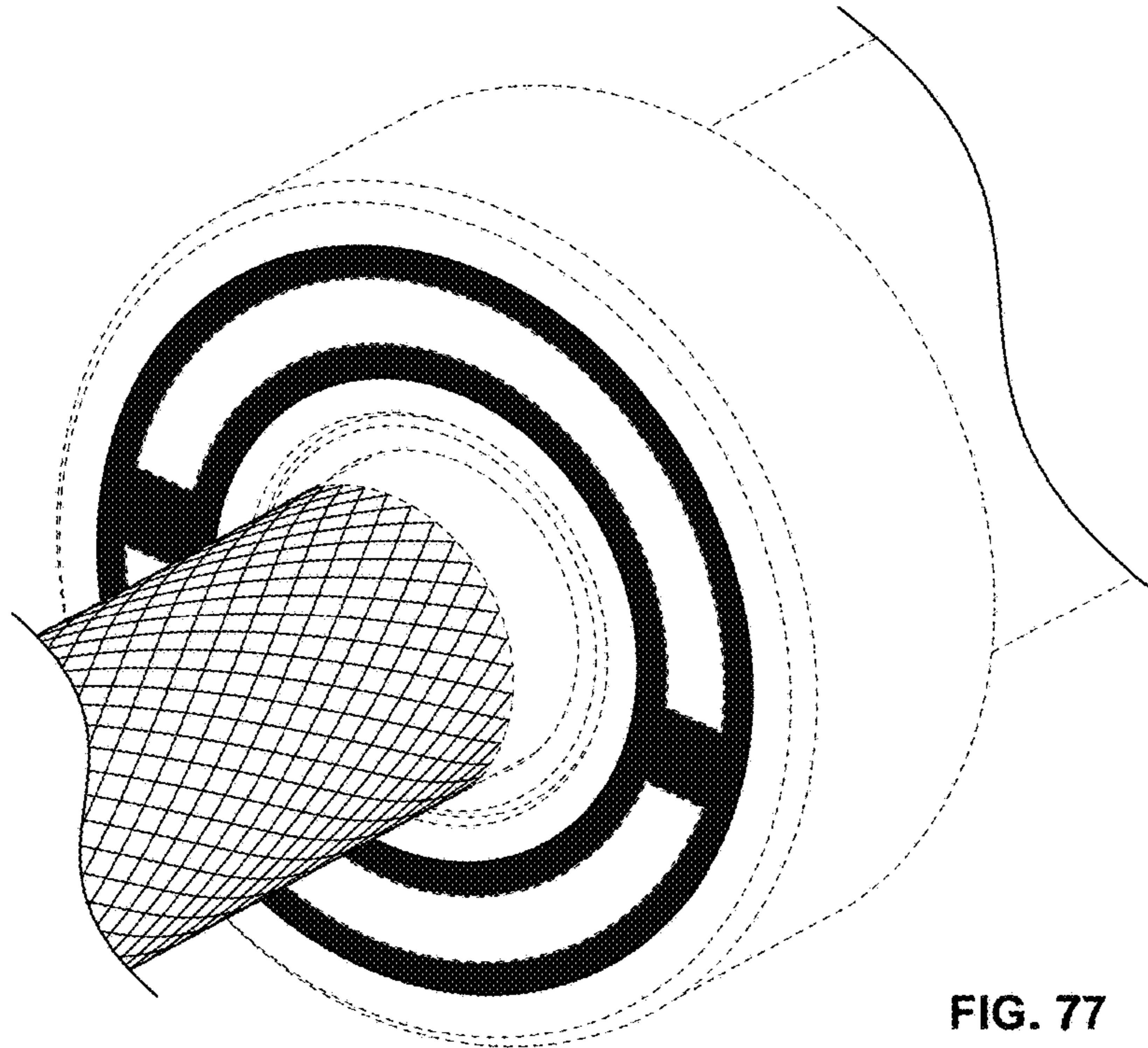


FIG. 77

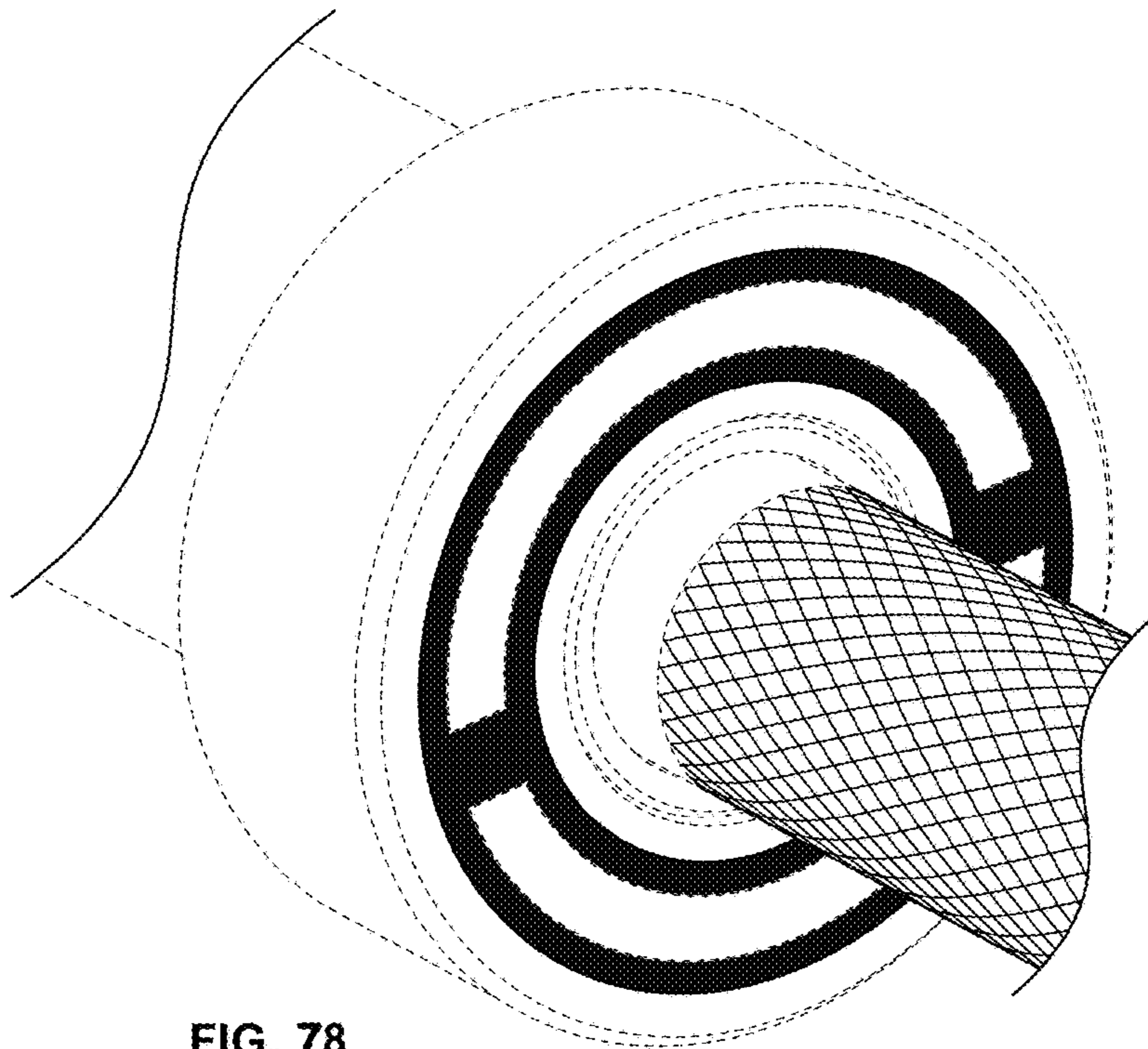


FIG. 78

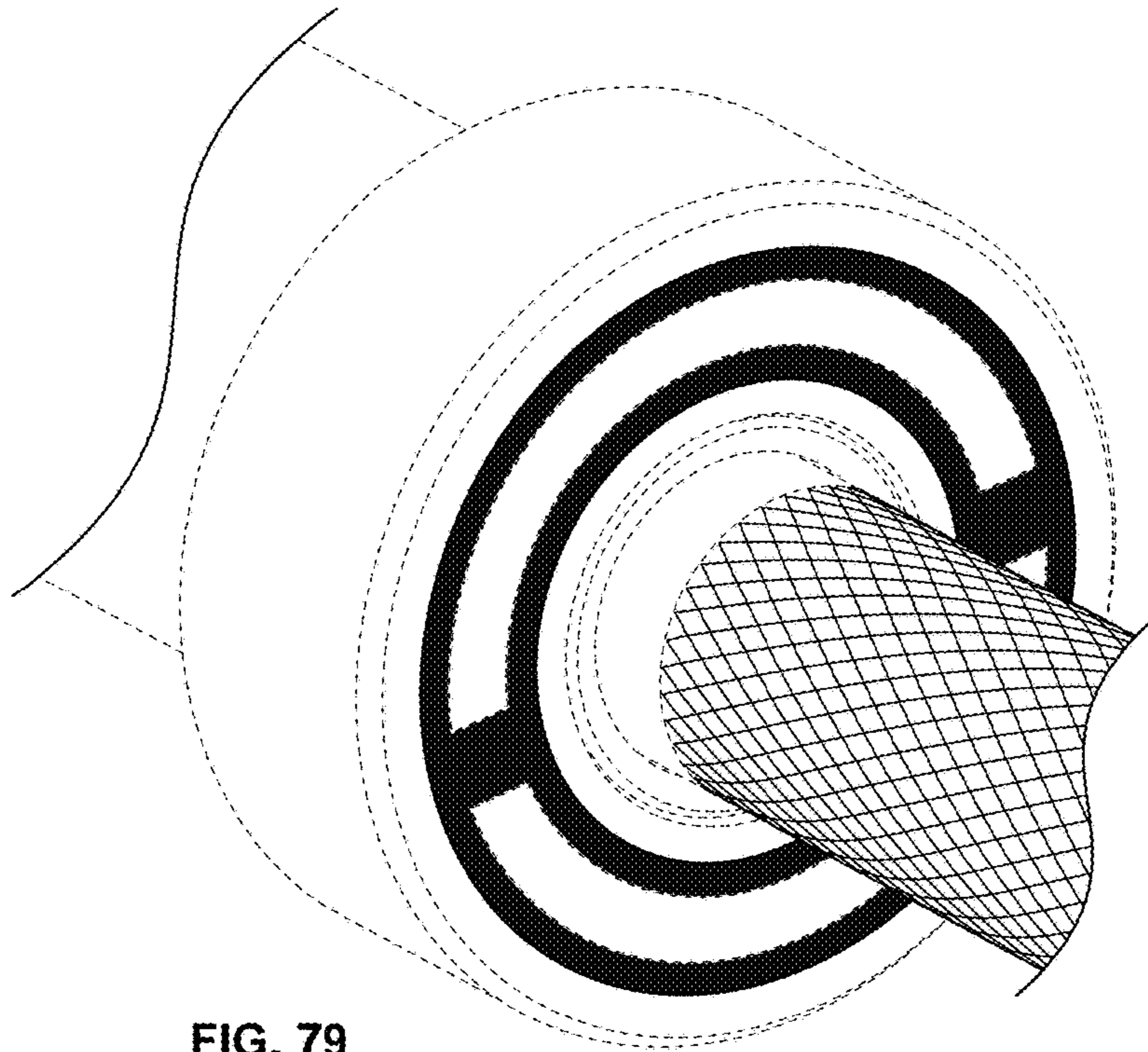


FIG. 79

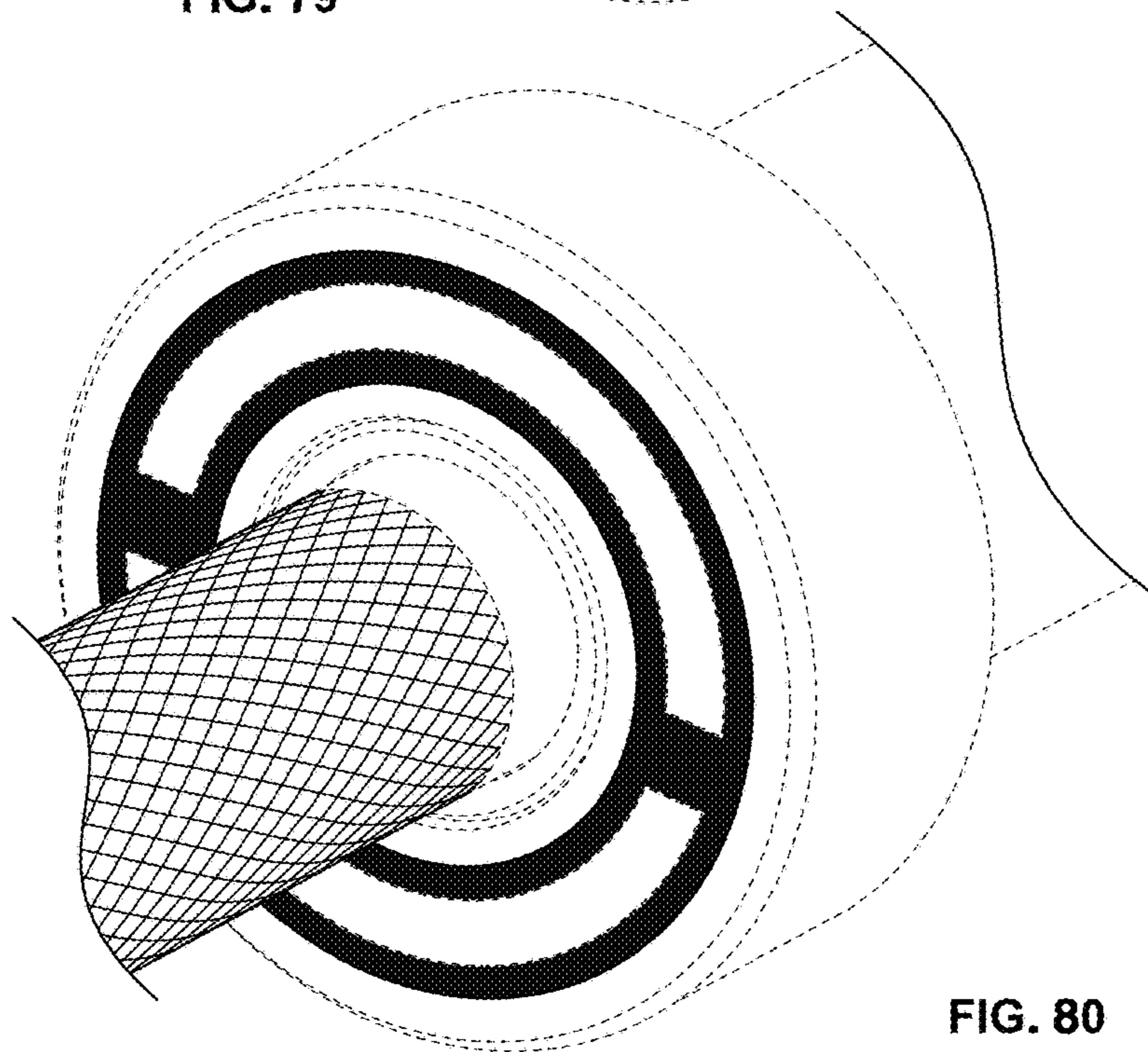


FIG. 80