

US00D862616S

(12) **United States Design Patent**
Cadiente

(10) **Patent No.:** **US D862,616 S**

(45) **Date of Patent:** **** Oct. 8, 2019**

- (54) **TOY**
- (71) Applicant: **Jackie Cadiente**, Burbank, CA (US)
- (72) Inventor: **Jackie Cadiente**, Burbank, CA (US)
- (**) Term: **15 Years**
- (21) Appl. No.: **29/658,047**
- (22) Filed: **Jul. 27, 2018**
- (51) **LOC (12) Cl.** **21-01**
- (52) **U.S. Cl.**
USPC **D21/630**
- (58) **Field of Classification Search**
USPC D21/578, 621, 622, 623, 630, 658, 659,
D21/660, 661; D19/59; D15/199
CPC A63H 3/00-31; B25J 9/0006; B25J 13/00
See application file for complete search history.

- D566,796 S * 4/2008 Feeney D21/576
- D714,888 S * 10/2014 Kasznica A63H 3/00
D21/630
- D771,758 S * 11/2016 Arzoomanian D21/630
- D807,590 S * 1/2018 Wills D30/160
- D807,591 S * 1/2018 Wills D30/160
- D821,662 S * 6/2018 Wills D30/160

* cited by examiner

Primary Examiner — Zenia I Bennett

(74) *Attorney, Agent, or Firm* — LKP Global Law, LLP

(56) **References Cited**

U.S. PATENT DOCUMENTS

- D349,727 S * 8/1994 Burns D19/59
- D501,898 S * 2/2005 Rutherford D21/623
- D546,906 S * 7/2007 Aliaga D21/590

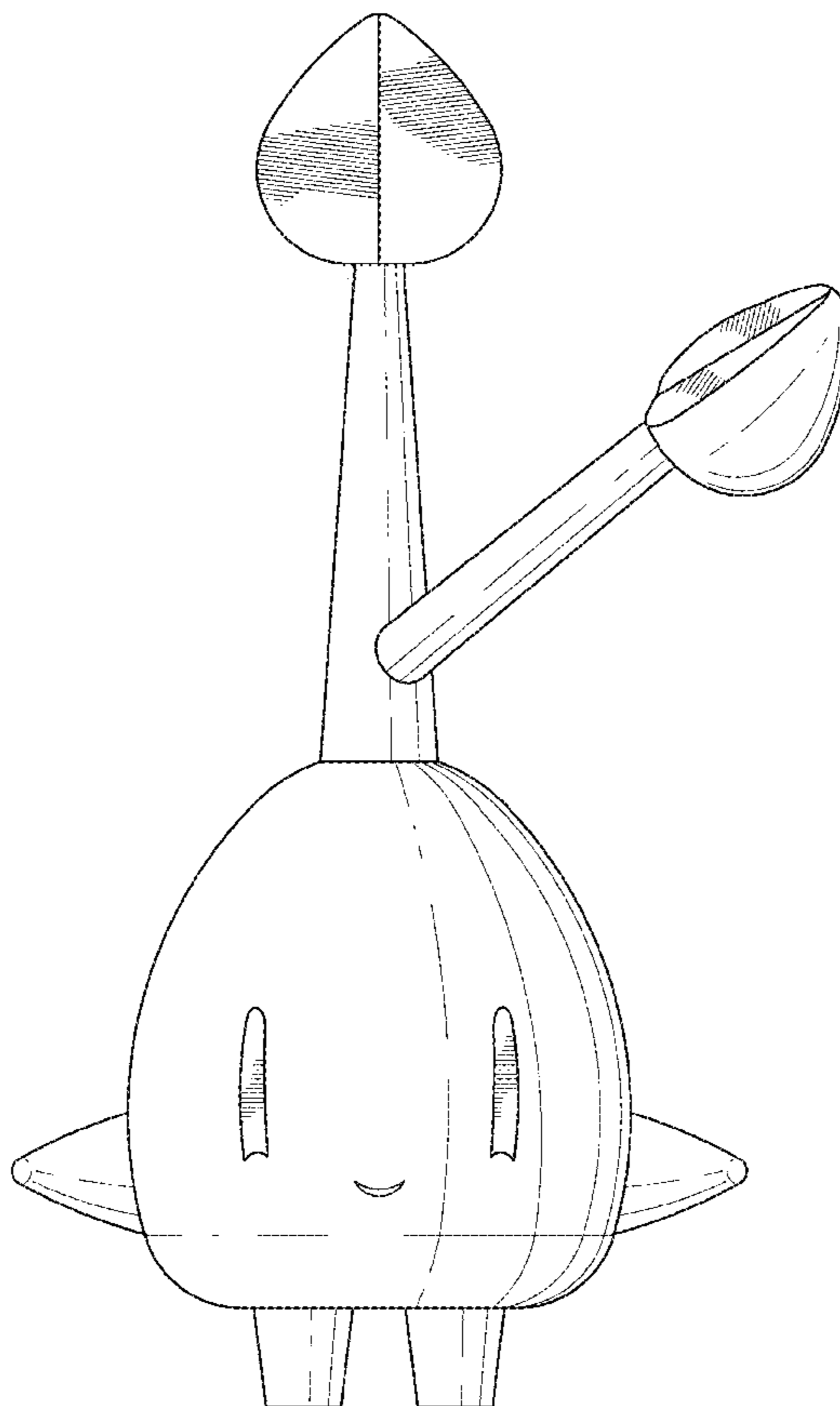
(57) **CLAIM**

The ornamental design for a toy, as shown and described.

DESCRIPTION

FIG. 1 is a perspective view of a toy;
 FIG. 2 is a front elevation view of the toy taken from FIG. 1;
 FIG. 3 is a back elevation view of the toy of FIG. 1;
 FIG. 4 is a left side view of the toy of FIG. 1;
 FIG. 5 is a right view of the toy of FIG. 1;
 FIG. 6 is a top view of the toy of FIG. 1; and,
 FIG. 7 is a bottom view of the toy of FIG. 1.

1 Claim, 6 Drawing Sheets



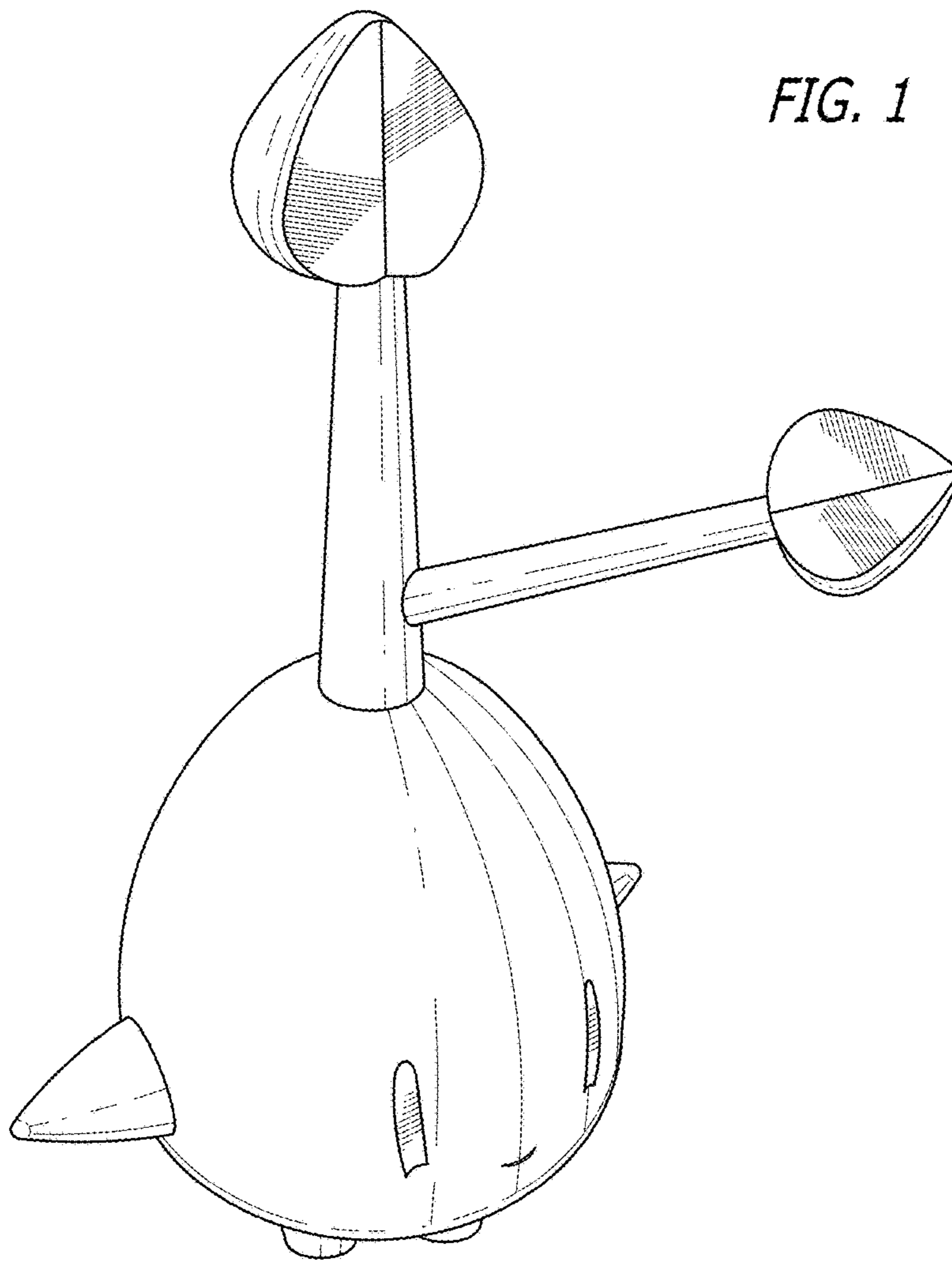
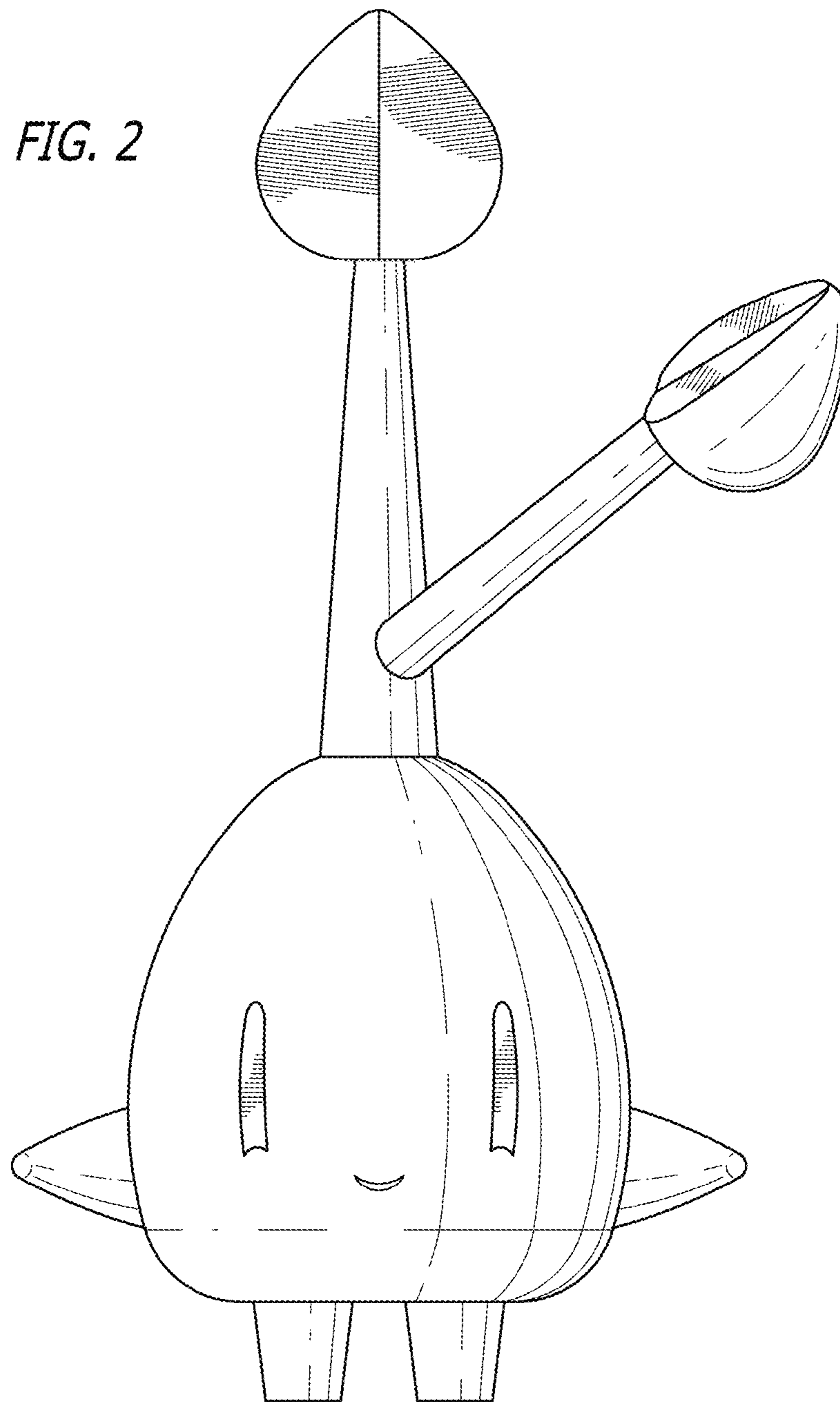


FIG. 1



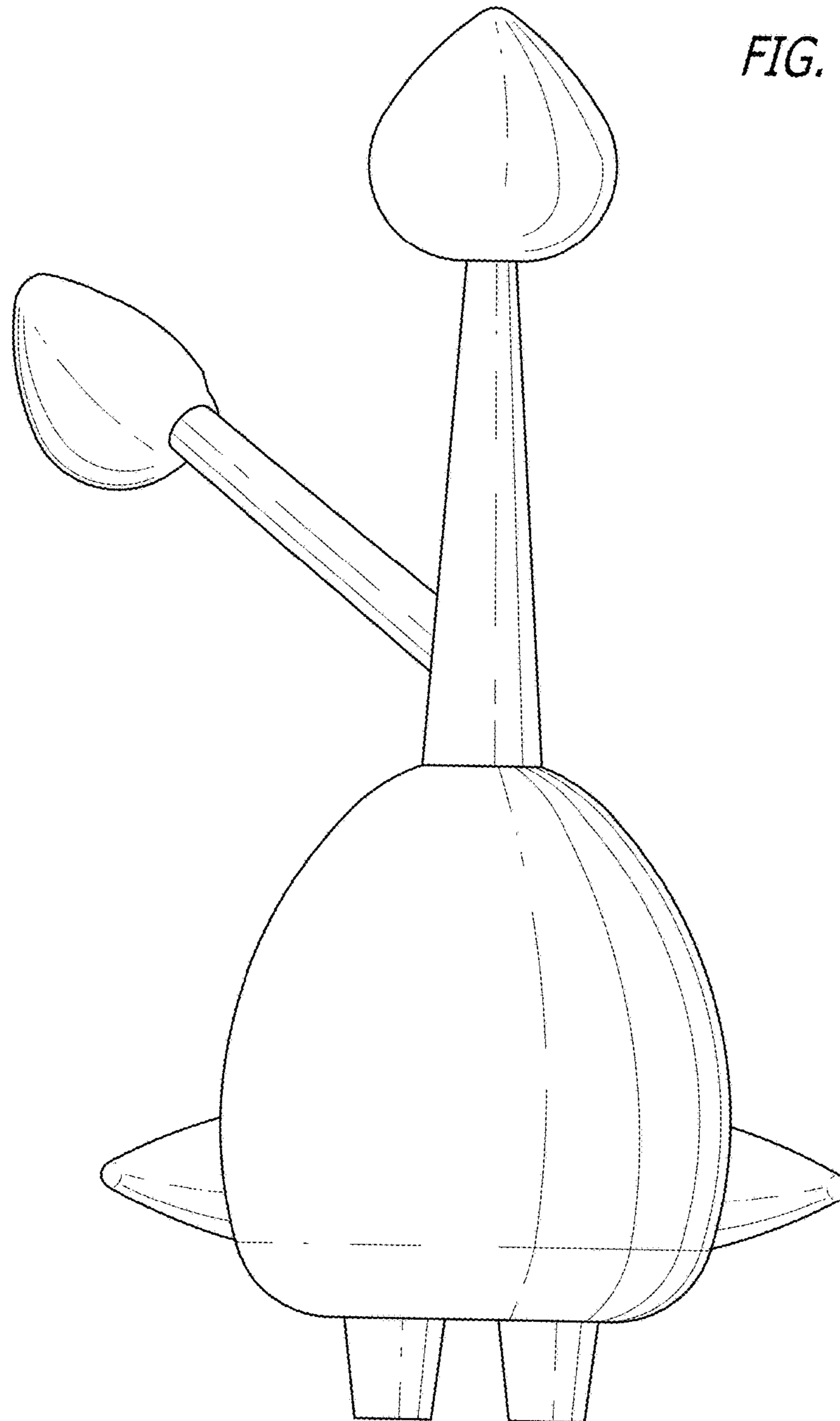


FIG. 3

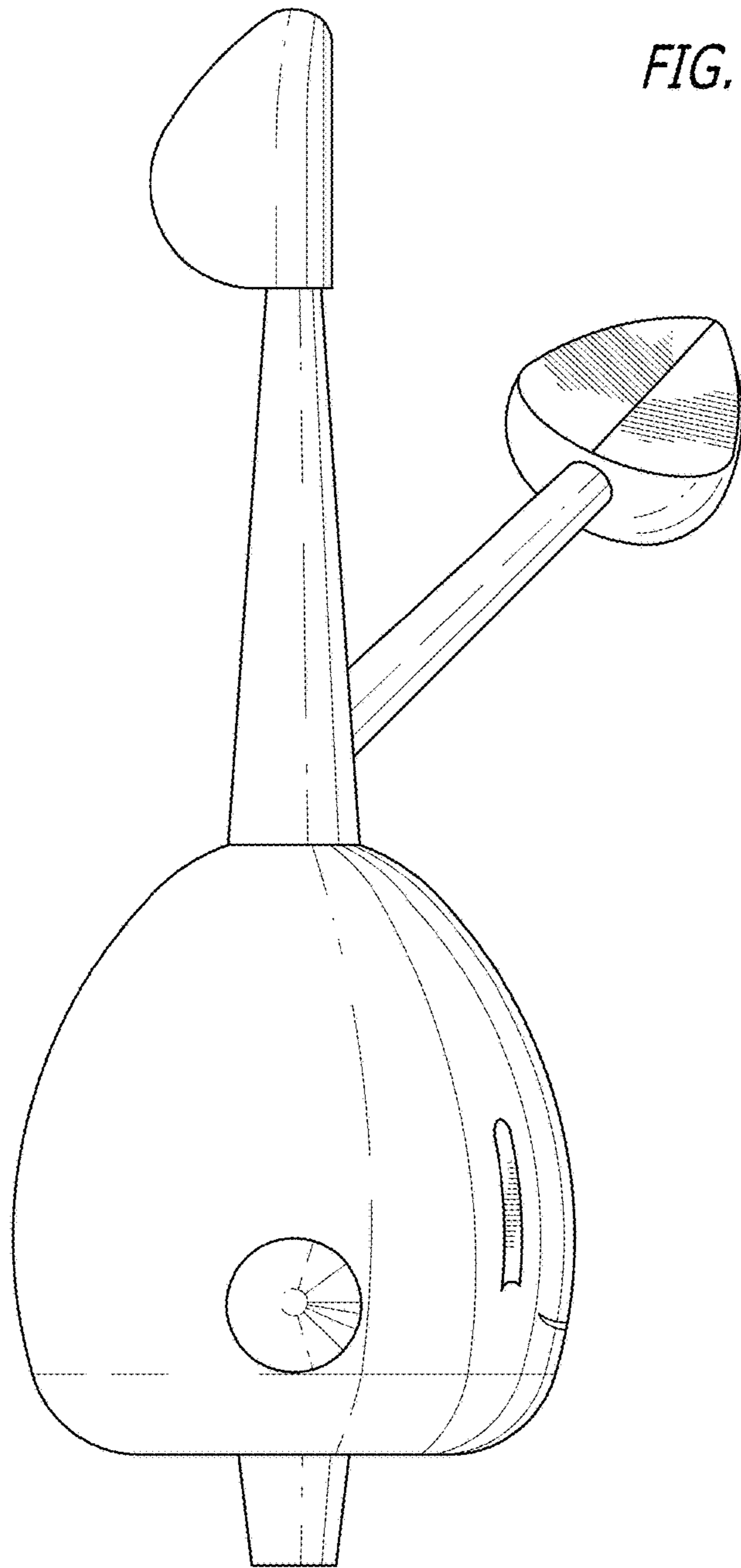
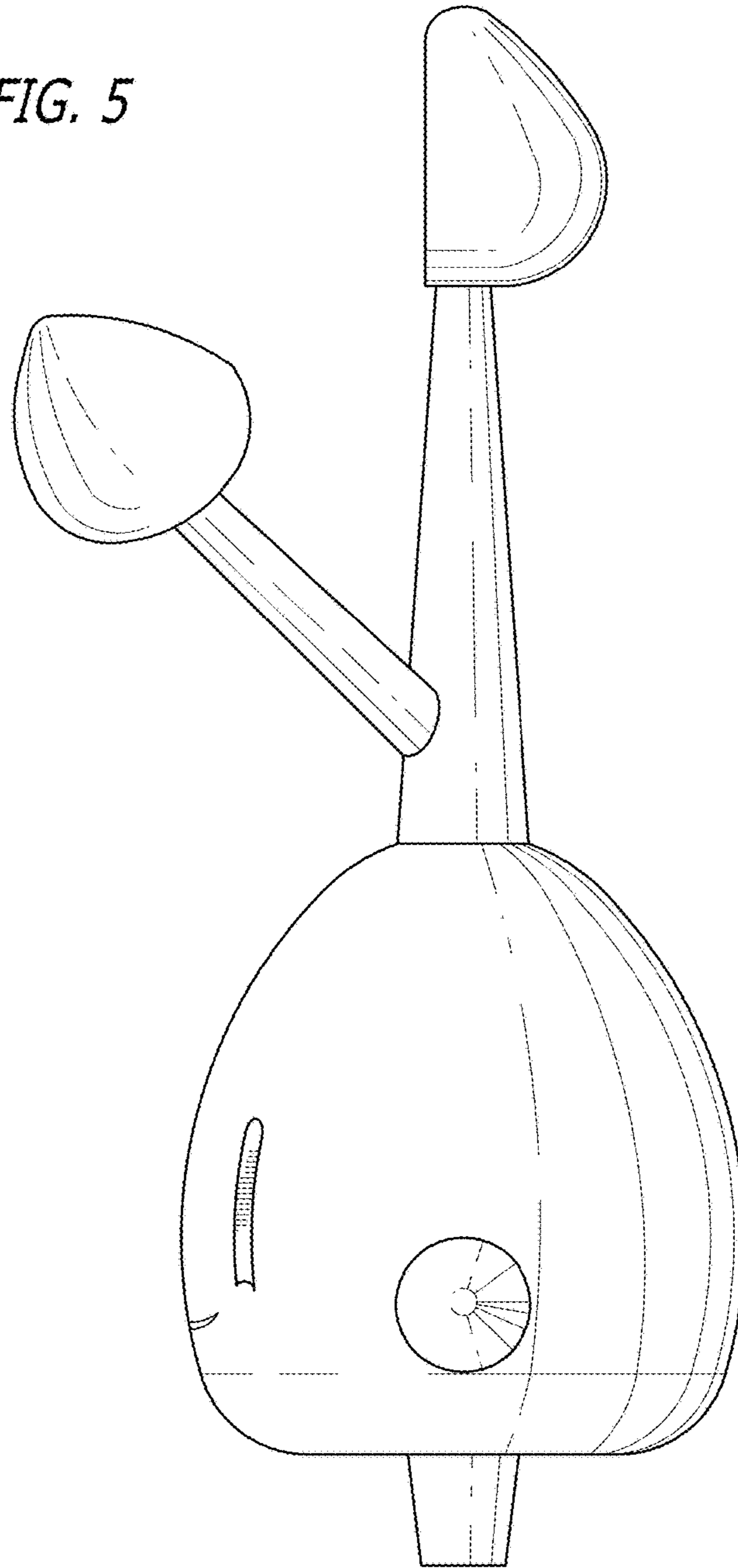


FIG. 4

FIG. 5



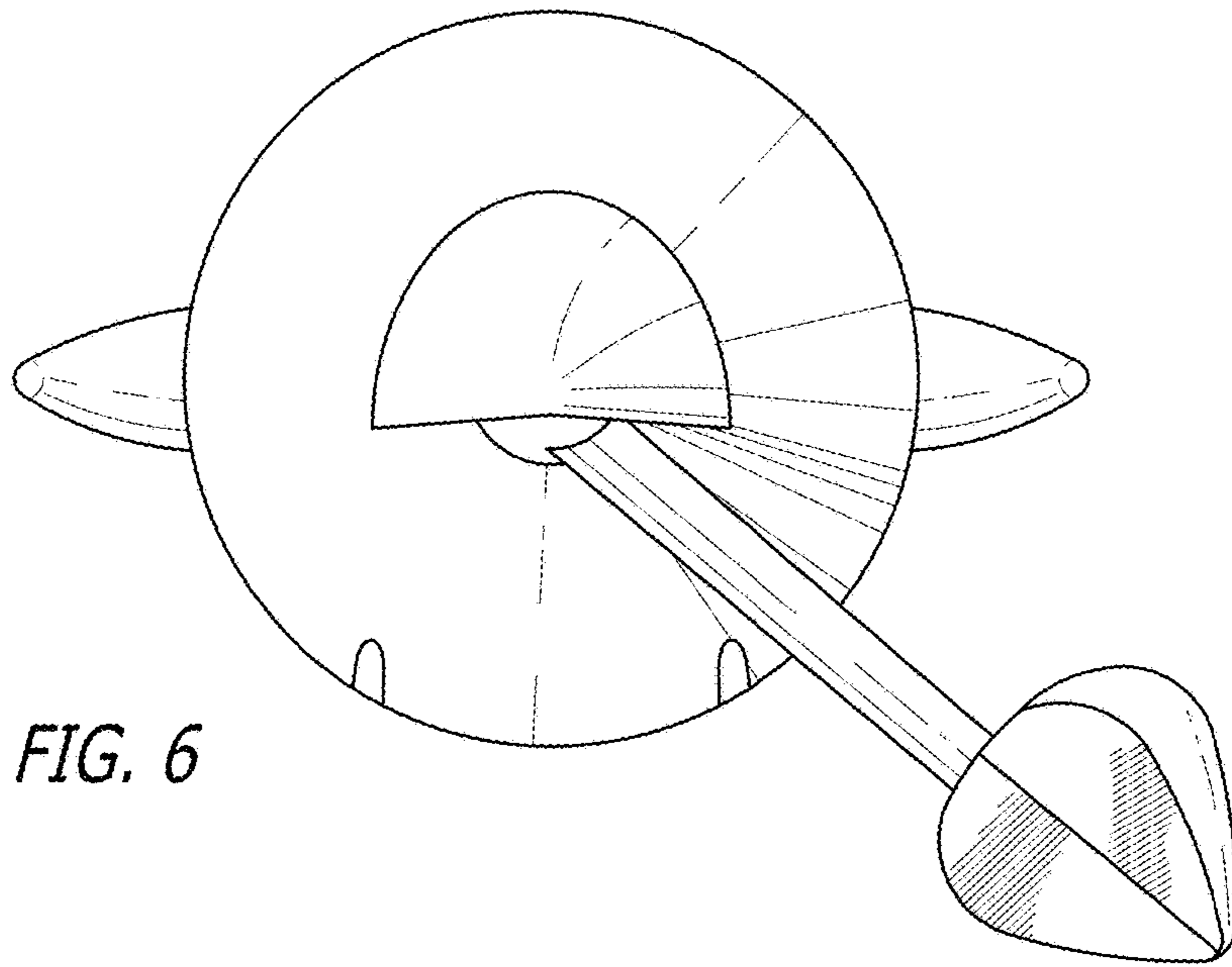


FIG. 6

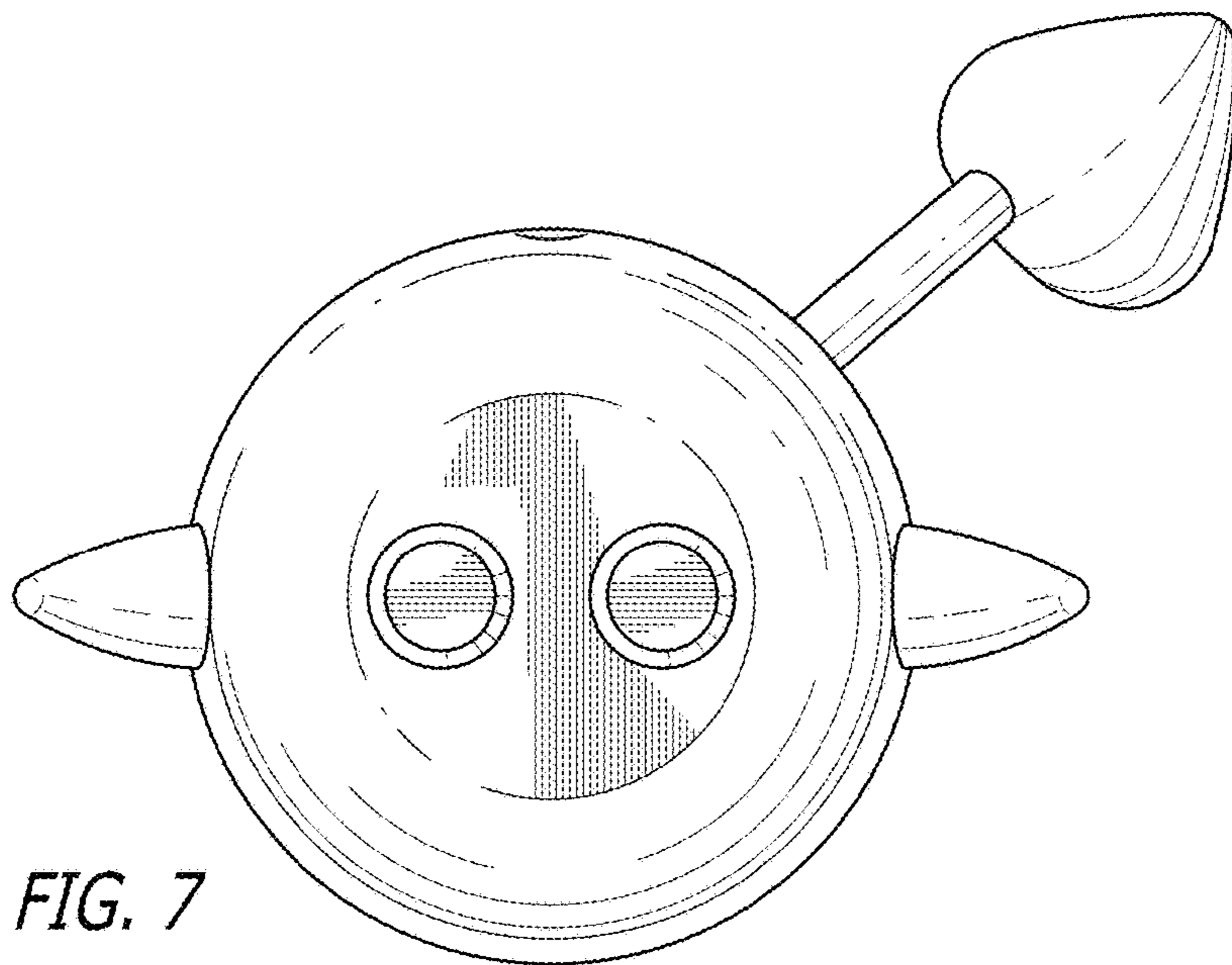


FIG. 7