



US00D862613S

(12) **United States Design Patent** (10) **Patent No.:** **US D862,613 S**  
**Walterscheid et al.** (45) **Date of Patent:** **\*\* Oct. 8, 2019**

(54) **ROLLING TOY SKATEBOARD CHARACTER**

(71) Applicant: **FSD, LLC**, Bend, OR (US)

(72) Inventors: **Steven Edward Walterscheid**, Bend, OR (US); **Leopold Elias Walterscheid**, Bend, OR (US)

(73) Assignee: **FSD, LLC**, Bend, OR (US)

(\*\*) Term: **15 Years**

(21) Appl. No.: **29/562,674**

(22) Filed: **Apr. 27, 2016**

(51) **LOC (12) Cl.** ..... **21-01**

(52) **U.S. Cl.**  
USPC ..... **D21/592**

(58) **Field of Classification Search**  
USPC ..... D21/455, 456, 483, 576, 578, 585, 592, D21/593, 594, 621-623, 658, 670, 760, D21/763, 765; D11/131, 158, 160, 164  
CPC ..... A63H 29/08; A63H 29/00; A63H 33/005; A63H 33/30; A63H 33/001; A63H 7/04; A63H 7/00; A63H 7/02  
See application file for complete search history.

(56) **References Cited**

**U.S. PATENT DOCUMENTS**

1,763,903 A \* 6/1930 Perkins ..... A63H 7/04 446/273  
D259,647 S \* 6/1981 Takahashi ..... D21/593  
D291,585 S \* 8/1987 Bertrand ..... D21/623  
D373,400 S \* 9/1996 Ogata ..... D21/761  
D405,141 S \* 2/1999 Bonzanigo ..... D21/765  
D417,472 S \* 12/1999 Caban ..... D21/423  
D441,742 S \* 5/2001 Augusta ..... D11/160  
D457,587 S \* 5/2002 Wolf ..... D21/760

6,540,577 B1 \* 4/2003 Nelson ..... A63H 33/00 446/129  
D474,514 S \* 5/2003 Price ..... D21/594  
D664,219 S \* 7/2012 Lowe ..... D21/576  
9,050,540 B1 \* 6/2015 Norman ..... A63H 17/00  
D739,480 S \* 9/2015 Hernandez Ortega ..... D15/199  
9,566,532 B1 \* 2/2017 Walterscheid ..... A63H 17/00  
2011/0104982 A1 \* 5/2011 Koehl ..... A63H 17/262 446/465

**OTHER PUBLICATIONS**

Reasonably Clever, Pikachu on a Skateboard, produced 1999, [online], [site visited Jun. 8, 2018]. Available from Internet, <URL: <http://www.reasonablyclever.com/bootlegtoys/photos/poke/skate/skate.htm>> (Year: 1999).\*

(Continued)

*Primary Examiner* — Sheryl Lane

*Assistant Examiner* — Samantha N Wood

(74) *Attorney, Agent, or Firm* — LaMorte & Associates, P.C.

(57) **CLAIM**

The ornamental design for a rolling toy skateboard character, as shown and described.

**DESCRIPTION**

FIG. 1 is a top perspective view of a rolling toy skateboard character;

FIG. 2 is a bottom perspective view thereof;

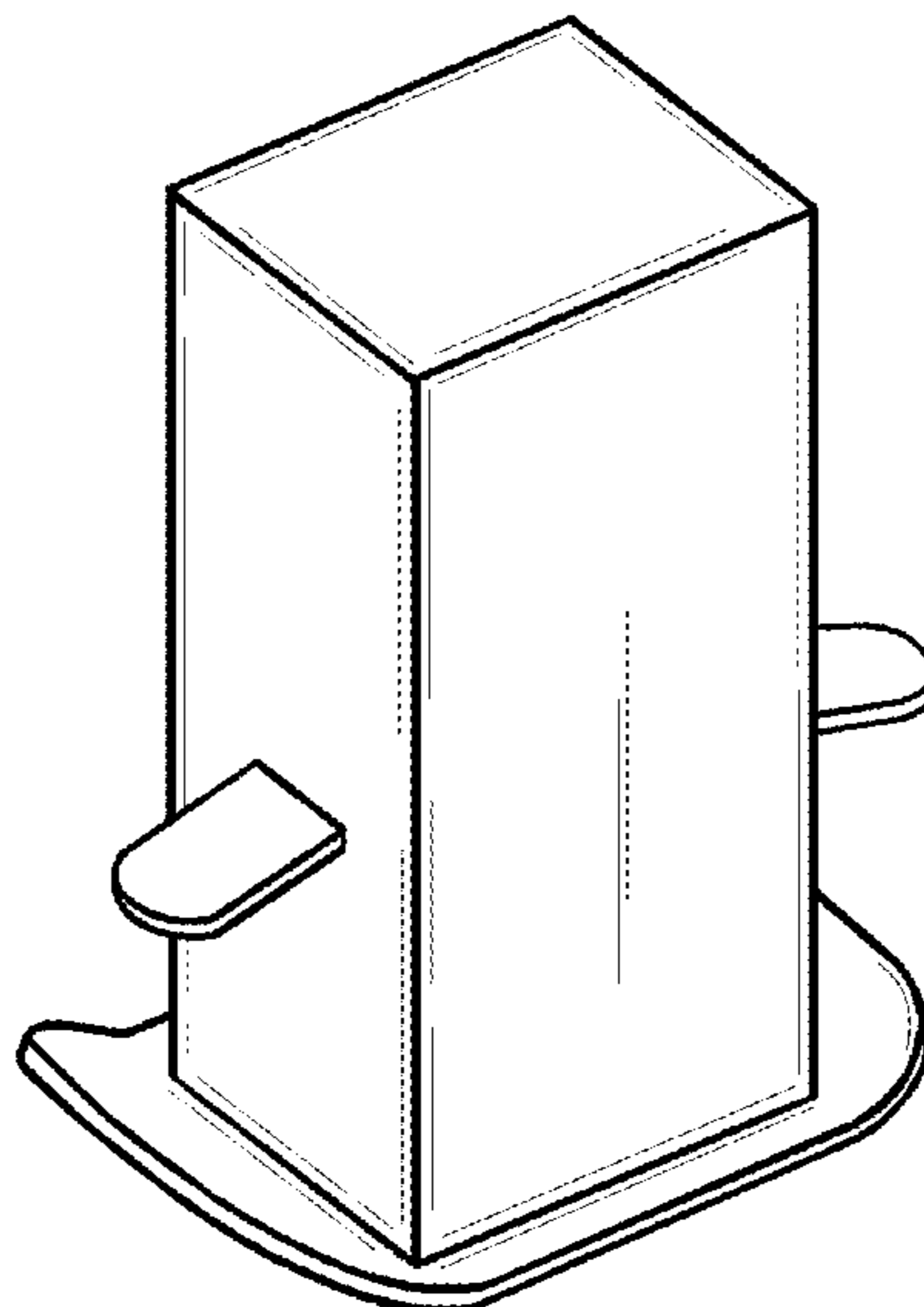
FIG. 3 is a front view thereof, the rear view being the same;

FIG. 4 is right side view thereof, the left side view being the same;

FIG. 5 is a top view thereof; and,

FIG. 6 is a bottom view thereof.

**1 Claim, 6 Drawing Sheets**



(56)

**References Cited**

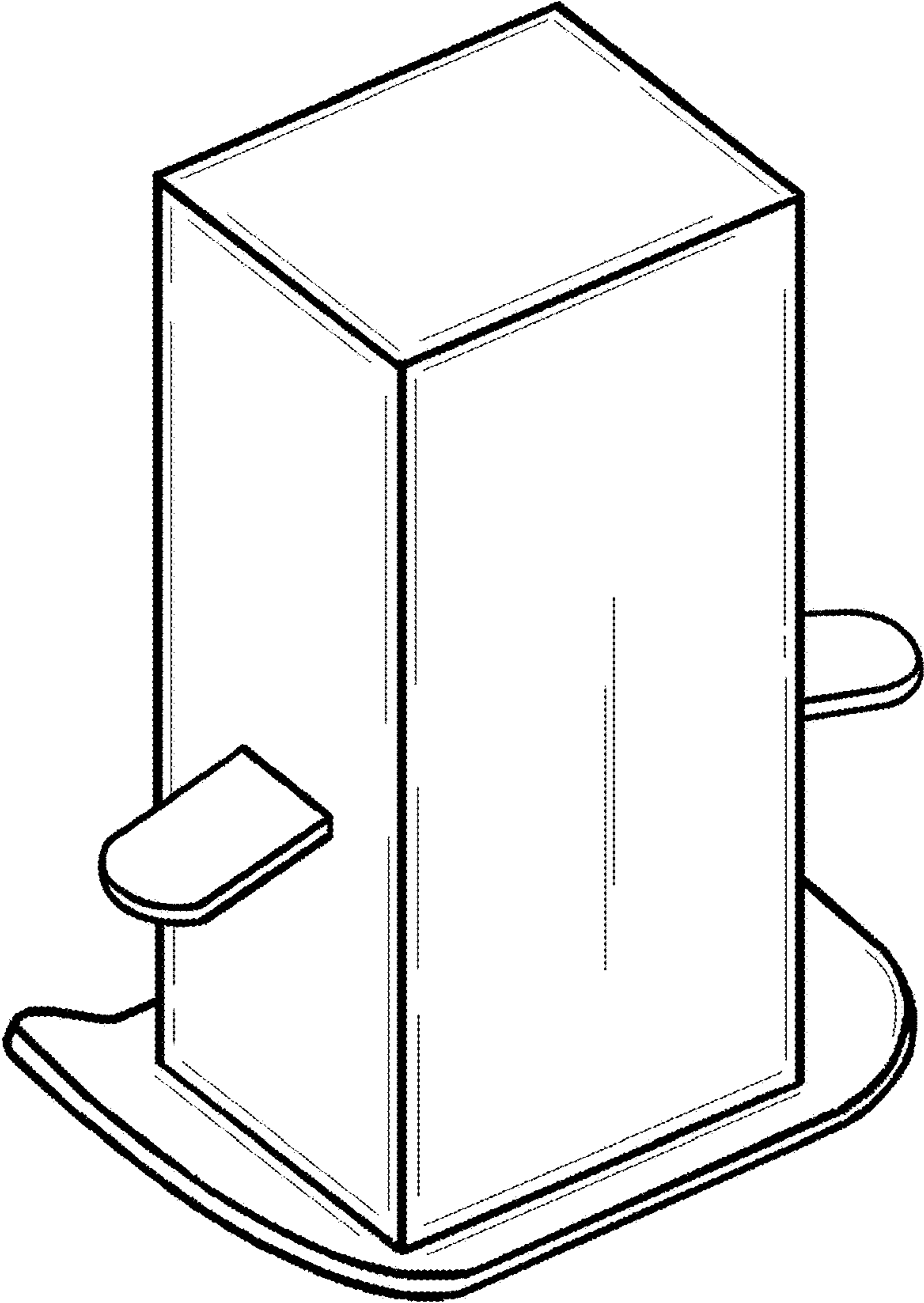
OTHER PUBLICATIONS

Cool Mom Picks, The coolest scooter ever, posted Sep. 10, 2014, [online], [site visited Jun. 8, 2018]. Available from Internet, <URL: <https://coolmompicks.com/blog/2014/09/10/skate-crate-roller-skate-scooters-on-kickstarter/>> (Year: 2014).\*

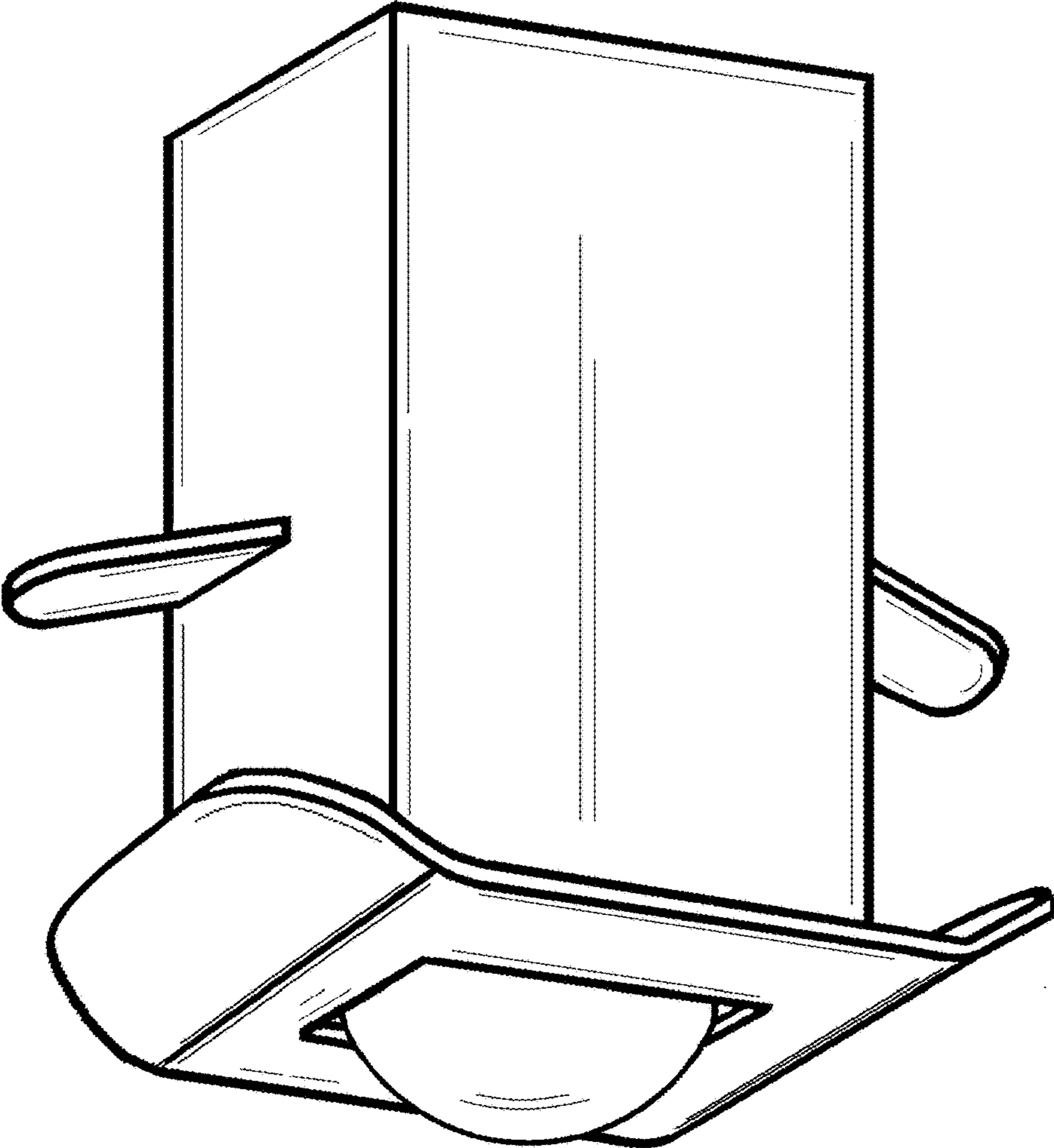
Big Learning, Posable Action Figure or Doll, webarchive Oct. 30, 2007, [online], [site visited Jun. 12, 2018]. Available from Internet, < URL: <https://web.archive.org/web/20071030050647/http://www.biglearning.org/craft-sticks/project-posable-figure.htm>> (Year: 2007).\*

Youtube, ZB Freestyle Board 2013 [30sec], posted Oct. 28, 2013, [online], [site visited Jun. 12, 2018]. Available from Internet, <URL: [https://www.youtube.com/watch?v=\\_9cE2Mv-RHw](https://www.youtube.com/watch?v=_9cE2Mv-RHw)> (Year: 2018).\*

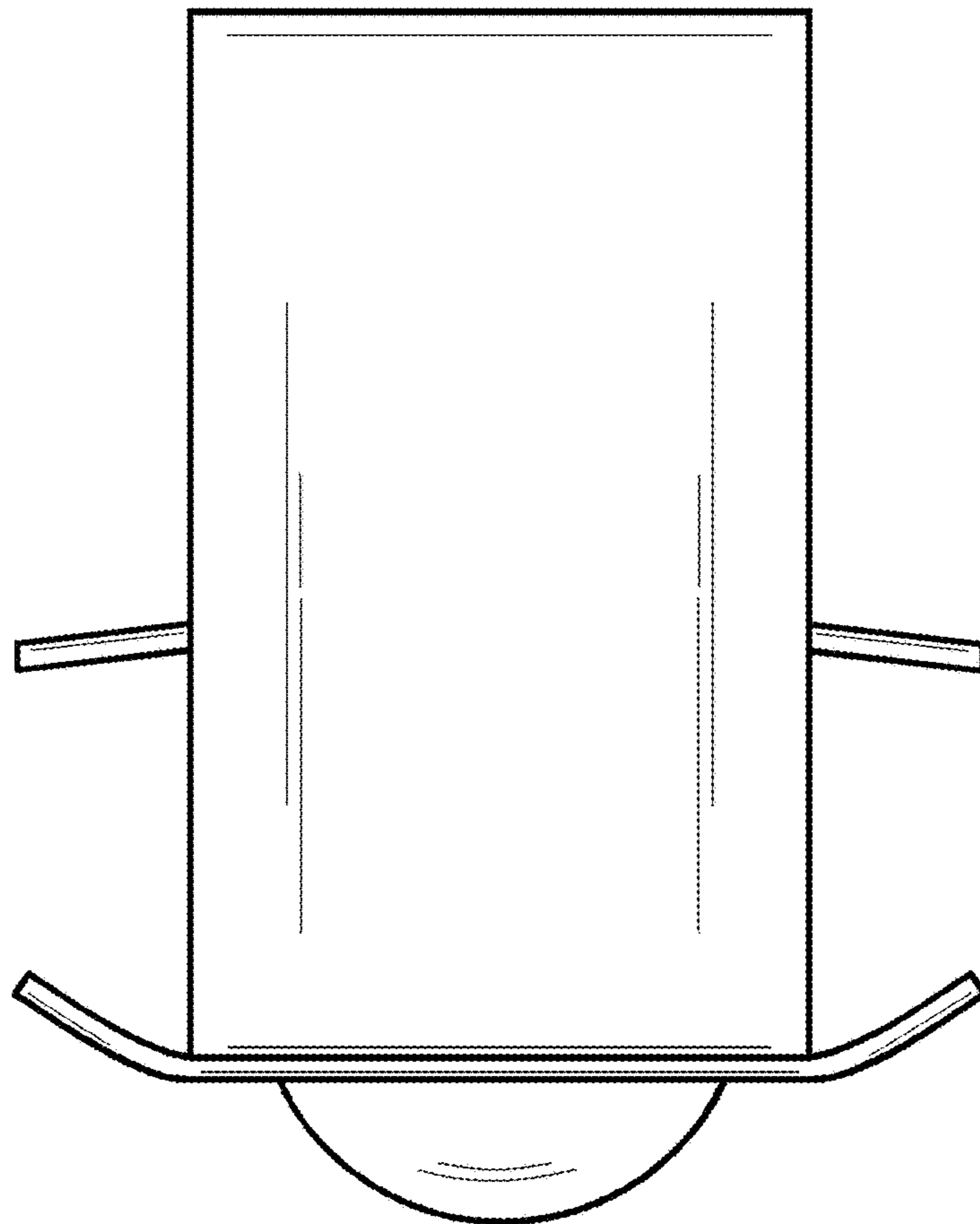
\* cited by examiner



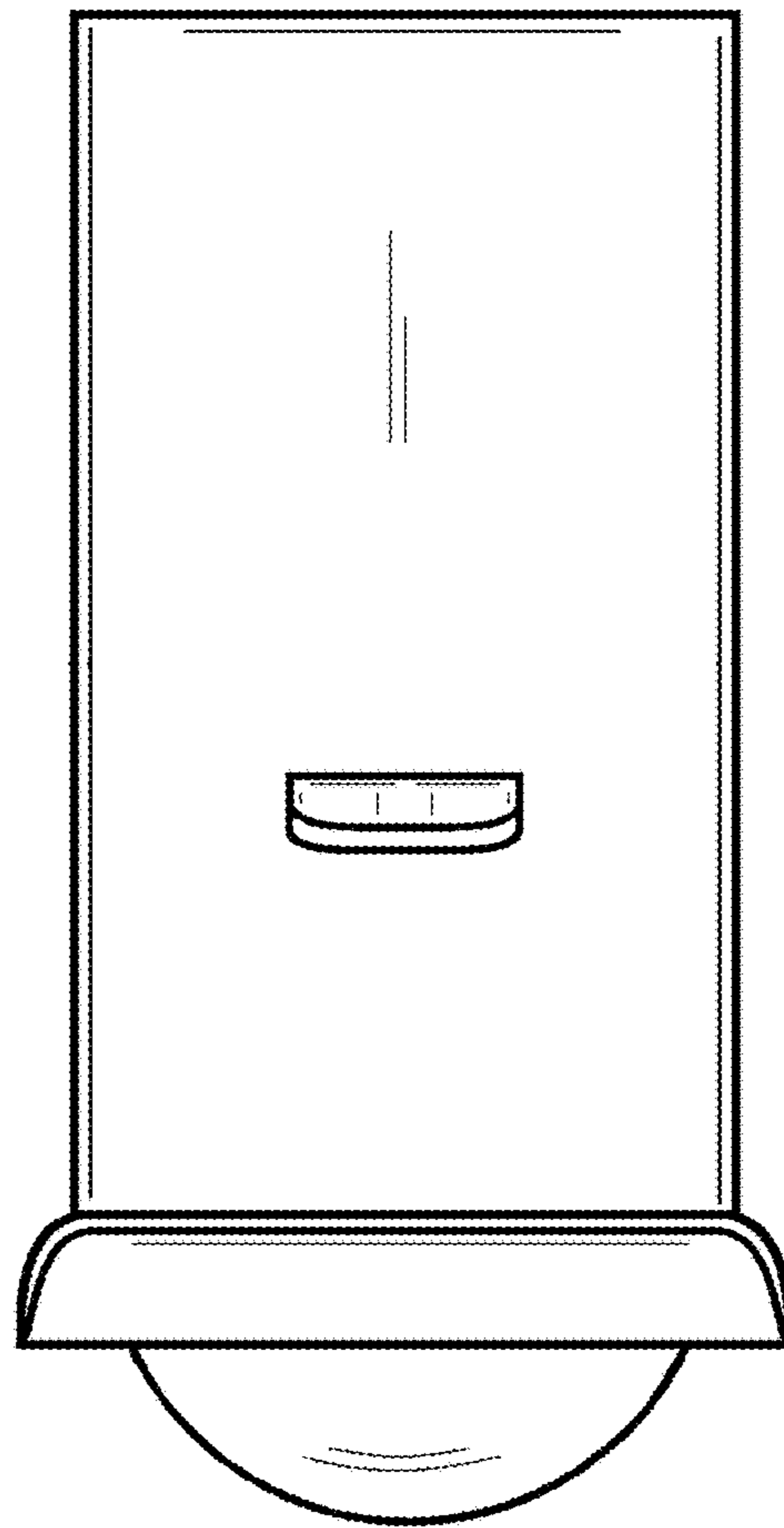
*FIG. 1*



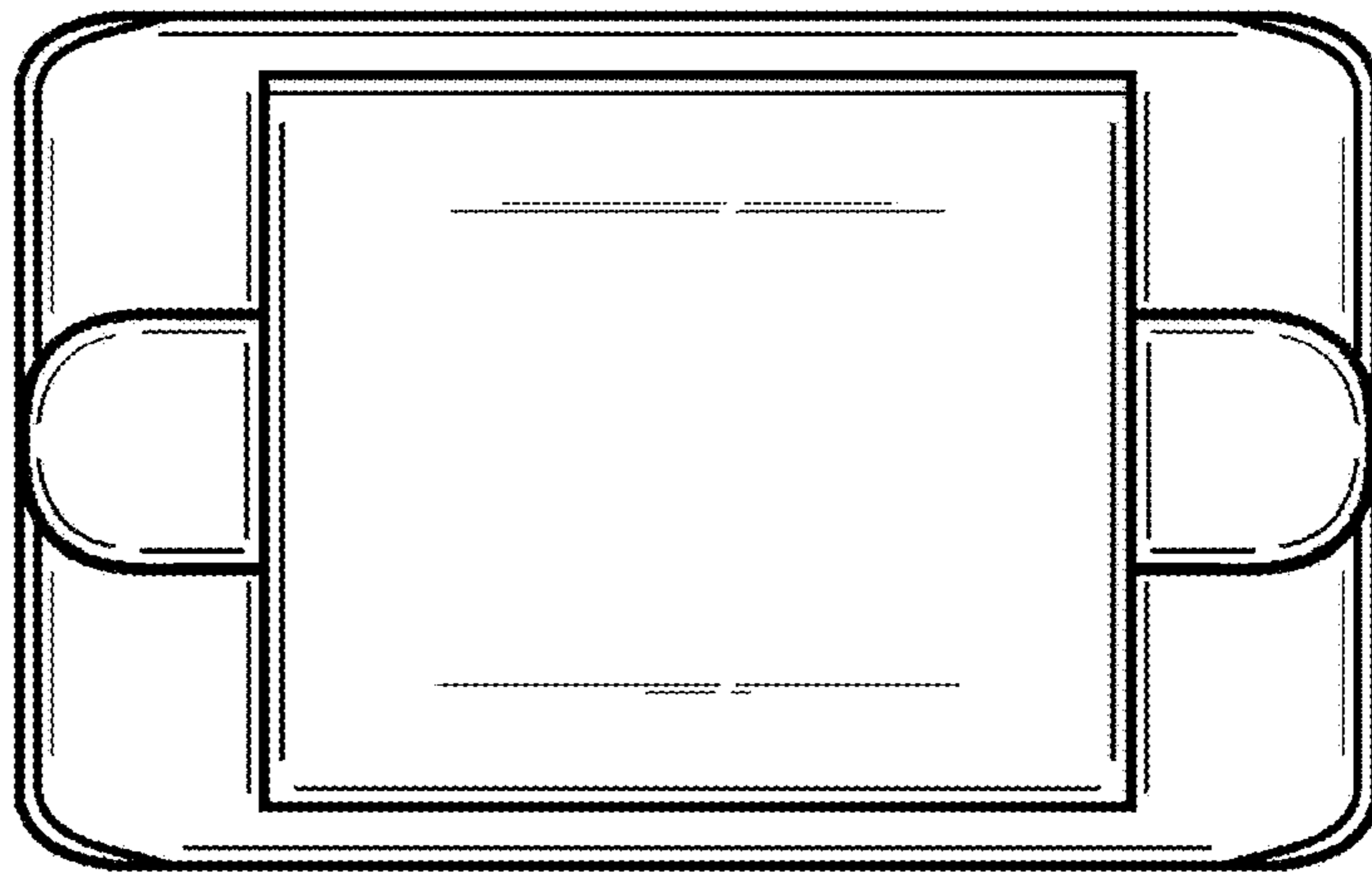
*FIG. 2*



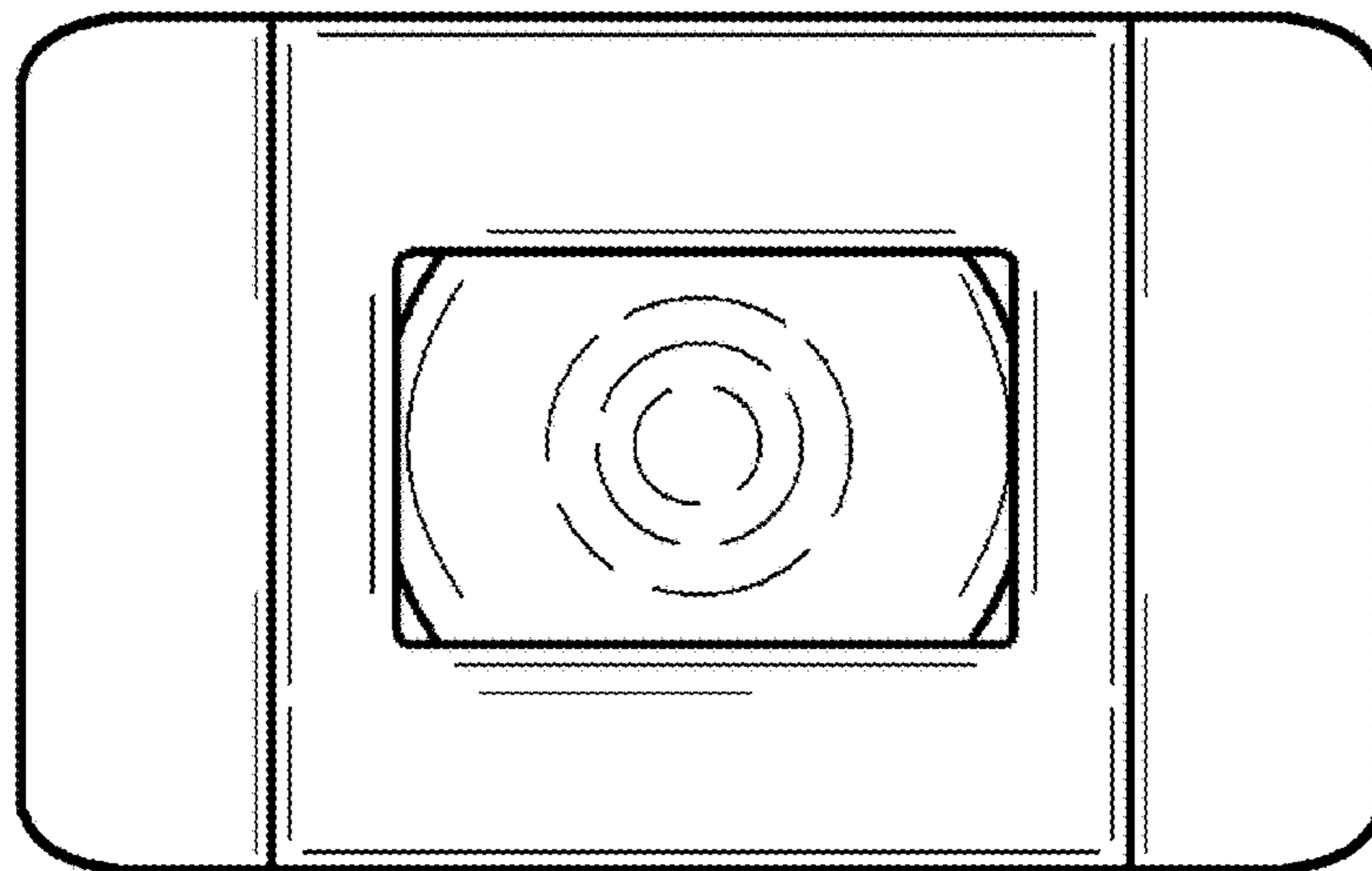
*FIG. 3*



*FIG. 4*



*FIG. 5*



*FIG. 6*