



US00D862612S

(12) **United States Design Patent**  
**Sprowl et al.**

(10) **Patent No.:** **US D862,612 S**

(45) **Date of Patent:** **\*\* \*Oct. 8, 2019**

(54) **WHEEL FOR A MODEL VEHICLE**

FOREIGN PATENT DOCUMENTS

(71) Applicant: **TRAXXAS LP**, McKinney, TX (US)

TW D114104 S 12/2006

(72) Inventors: **Jory Sprowl**, Wolfe City, TX (US);  
**Kent Poteet**, Lucas, TX (US); **Otto Karl Allmendinger**, Rowlett, TX (US)

TW D141989 S 8/2011

TW D143556 S 11/2011

(73) Assignee: **TRAXXAS LP**, McKinney, TX (US)

OTHER PUBLICATIONS

(\*) Notice: This patent is subject to a terminal disclaimer.

KMC XD Series XD228 Machete Desert Beadlock Machined Custom Wheels Rims; <http://www.customwheelsexpress.com/custom-wheels-by-brand-xd-series-by-kmc-kmc-xd-series-xd228-machete-desert-beadlock-machined-custom-wheels-rims-p-2930.html>; Aug. 2016.

(\*\*) Term: **15 Years**

(Continued)

(21) Appl. No.: **29/592,270**

*Primary Examiner* — Robin V Webster

(22) Filed: **Jan. 27, 2017**

*Assistant Examiner* — Keith J Wilson

(51) **LOC (12) Cl.** ..... **21-01**

(74) *Attorney, Agent, or Firm* — Daryl R. Wright; Greg Carr

(52) **U.S. Cl.**

USPC ..... **D21/563**; D21/495; D12/211

(58) **Field of Classification Search**

(57) **CLAIM**

USPC ..... D12/204–213; D21/424, 433, 548, 550, D21/563

We claim the ornamental design for a wheel for a model vehicle, as shown and described.

CPC .... B60B 7/00; B60B 7/01; B60B 7/02; B60B 7/04; B60B 7/06; B60B 3/02; B60B 3/04; B60B 3/06; B60B 3/10; B60B 1/00; B60B 1/08; B60B 1/10; B60B 1/12

**DESCRIPTION**

See application file for complete search history.

FIG. 1 is a top, left, front perspective view of a wheel for a model vehicle;

(56) **References Cited**

U.S. PATENT DOCUMENTS

D316,731 S	5/1991	Tsuchiya
D420,637 S	2/2000	Glade
D444,118 S	6/2001	Chung
D466,067 S	11/2002	Muzzarelli
D469,728 S	2/2003	Kataoka
D481,982 S	11/2003	Takechi
D492,234 S	6/2004	Kataoka
D499,683 S	12/2004	Kushartanto
D500,006 S	12/2004	Cahyono
D524,216 S	7/2006	Scheu
D530,757 S	10/2006	Jones
D534,968 S	1/2007	Proch

FIG. 2 is a top, right, rear perspective view thereof;

FIG. 3 is a left elevation view thereof;

FIG. 4 is a top plan view thereof;

FIG. 5 is a right elevation view thereof; and,

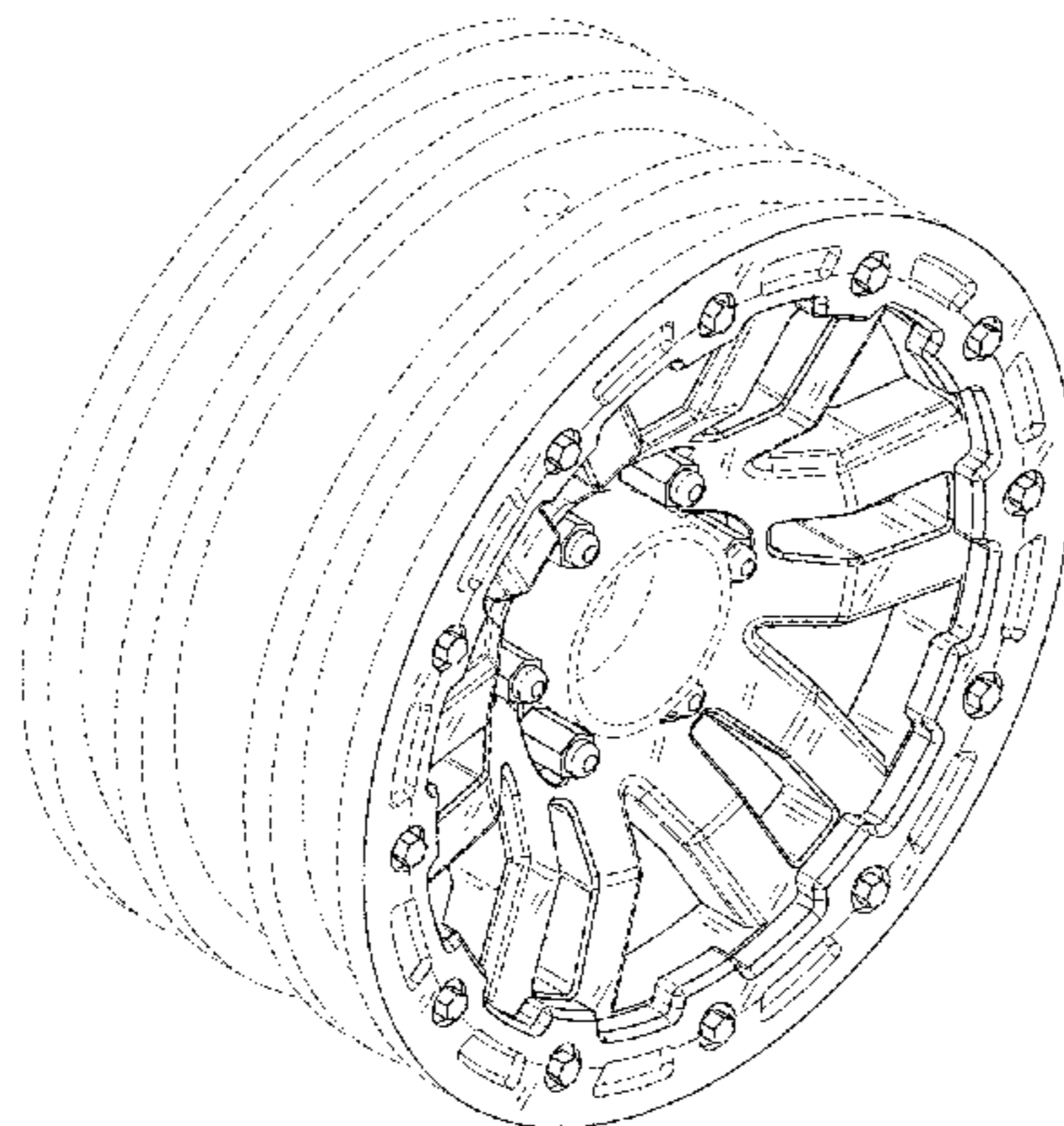
FIG. 6 is a top, left, front perspective view of the wheel for a model vehicle mounted on a model vehicle platform.

The broken line showing of the model vehicle platform is provided for the purposes of illustrating environmental structure and forms no part of the claimed design.

The broken lines depicting the interior of the wheel illustrate portions of the wheel for a model vehicle that form no part of the claimed design.

(Continued)

**1 Claim, 6 Drawing Sheets**



(56)

References Cited

U.S. PATENT DOCUMENTS

D536,293 S 2/2007 Brouillette et al.  
 D543,493 S \* 5/2007 Kim ..... D12/209  
 D546,264 S 7/2007 Young  
 D569,778 S \* 5/2008 Kim ..... D12/211  
 D570,758 S 6/2008 Bhambra  
 D579,398 S 10/2008 Kim  
 D583,292 S 12/2008 Chung  
 D587,181 S 2/2009 Musser  
 D590,322 S 4/2009 Rak  
 D597,012 S \* 7/2009 Chung ..... D12/211  
 D603,778 S 11/2009 Chung  
 D614,108 S 4/2010 Varga  
 D617,722 S 6/2010 Zhao  
 D619,072 S 7/2010 Gallert  
 D627,698 S 11/2010 Zhang  
 D628,135 S 11/2010 Zhao  
 D633,028 S \* 2/2011 Kim ..... D12/211  
 D636,319 S 4/2011 Toth  
 D639,220 S 6/2011 Zhao  
 D662,868 S 7/2012 Furst et al.  
 D663,668 S 7/2012 Pollmann  
 D670,227 S \* 11/2012 Chung ..... D12/211  
 D671,875 S 12/2012 Camacho  
 D688,188 S 8/2013 Baum  
 D697,008 S 1/2014 Juergens et al.  
 D697,010 S 1/2014 Lorinser  
 D719,893 S \* 12/2014 Kim ..... D12/211  
 D741,240 S 1/2015 Melabiotis et al.  
 D727,822 S 4/2015 Wheel  
 D727,829 S \* 4/2015 Chung ..... D12/211

D729,721 S 5/2015 Fahr-Becker  
 D730,799 S 6/2015 Hans et al.  
 D743,315 S 11/2015 Perini  
 D753,048 S \* 4/2016 Chan ..... D12/211  
 D753,571 S 4/2016 Juergens et al.  
 D769,169 S 10/2016 Kumeya et al.  
 D769,785 S \* 10/2016 Wells ..... D12/211  
 D780,654 S 3/2017 Gallert  
 D784,238 S 4/2017 Chu et al.  
 D784,462 S 4/2017 Barajas  
 D787,407 S \* 5/2017 Chung ..... D12/211  
 D790,427 S \* 6/2017 Palana ..... D12/211  
 D791,057 S \* 7/2017 Johnson ..... D12/211  
 D791,668 S 7/2017 Murase  
 D796,407 S 9/2017 Krause  
 D799,394 S 10/2017 Yamashita  
 D803,130 S \* 11/2017 Taylor ..... D12/209  
 D805,455 S \* 12/2017 Kong ..... D12/209  
 D805,990 S 12/2017 Mizutani  
 D806,628 S 1/2018 Schell et al.  
 2017/0080350 A1 3/2017 Allmendinger et al.

OTHER PUBLICATIONS

MSA M21 LOK (Beadlock); <https://msawheels.com/wheels/m21-lok/>; Aug. 2016.  
 OMF Performance Products; Beadlocked Wheels; [https://www.omfperformance.com/beadlocked\\_wheels\\_uq.php](https://www.omfperformance.com/beadlocked_wheels_uq.php); Aug. 2016.  
 Taiwan IPO Search Report; completed Aug. 4, 2016; regarding Taiwan Design Patent Application No. 105301436.

\* cited by examiner

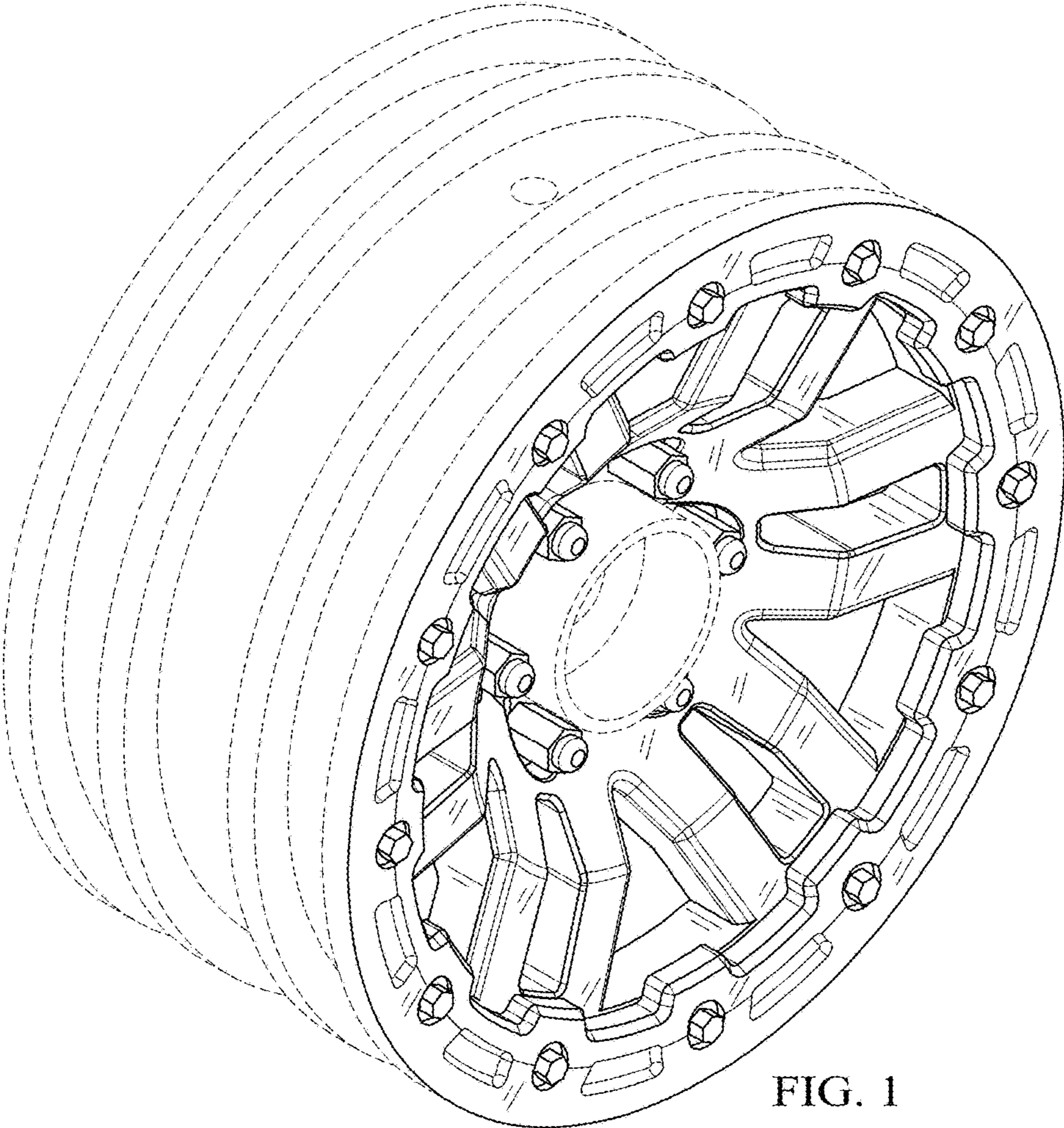


FIG. 1

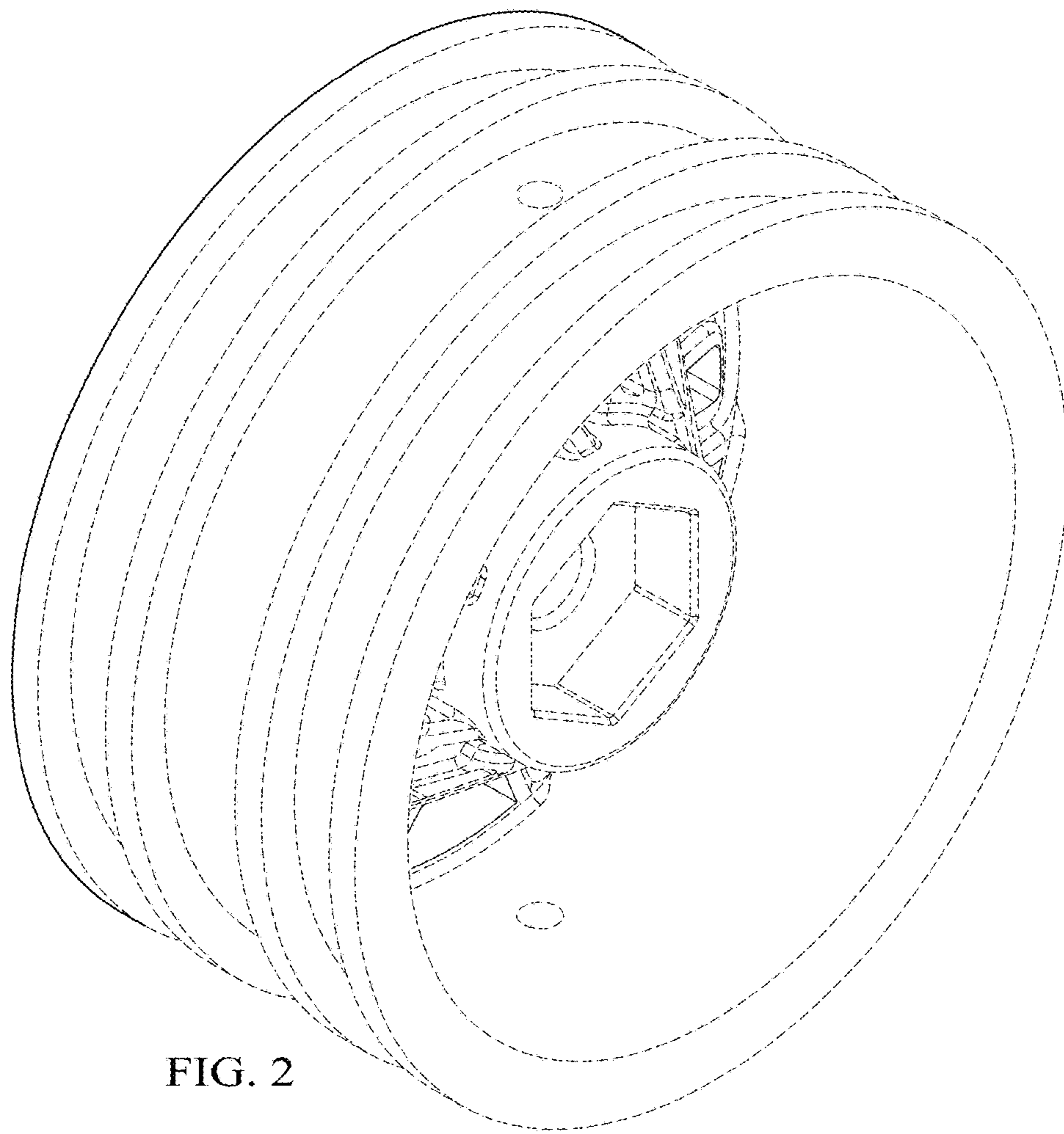


FIG. 2

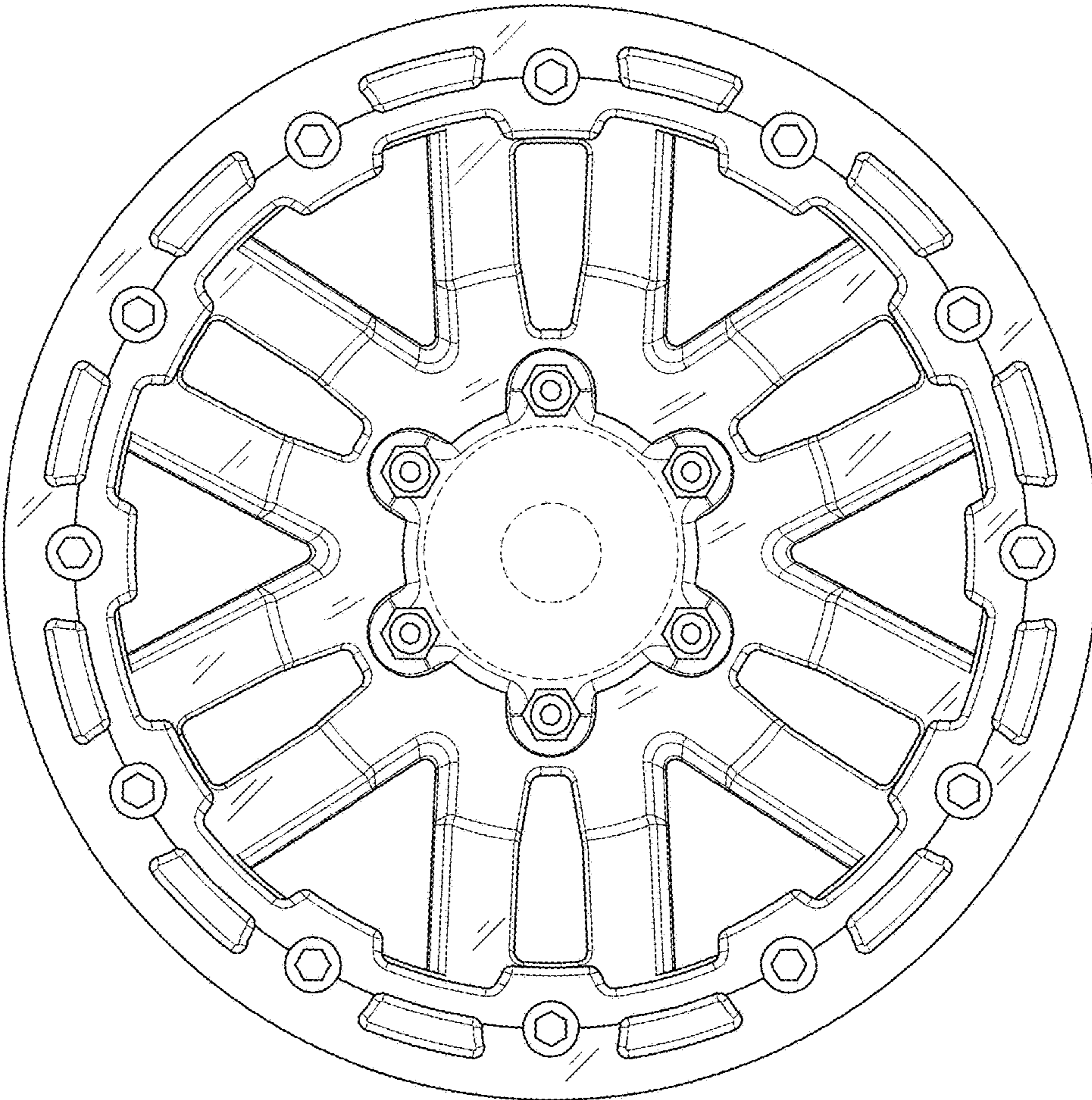


FIG. 3

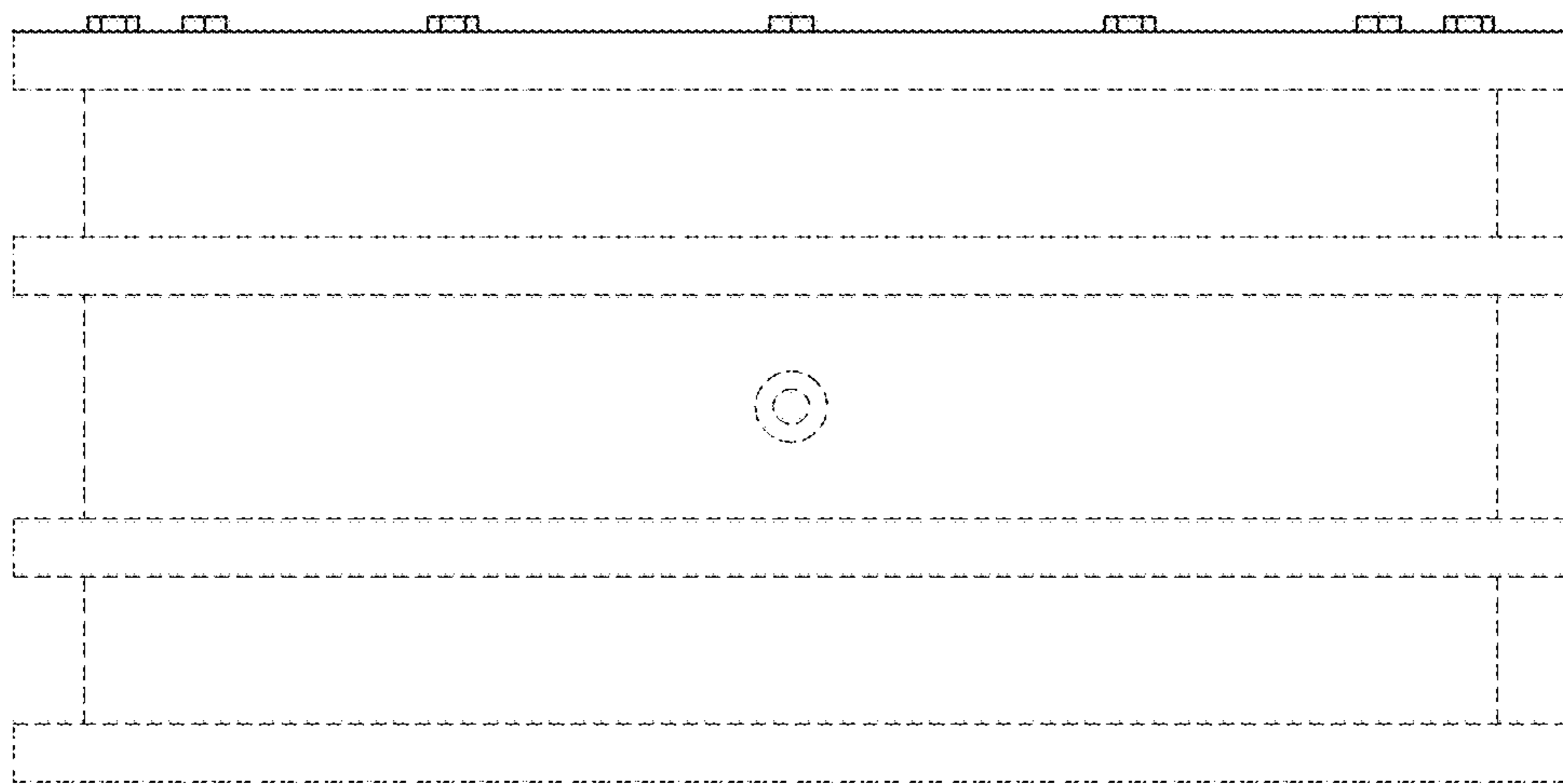


FIG. 4

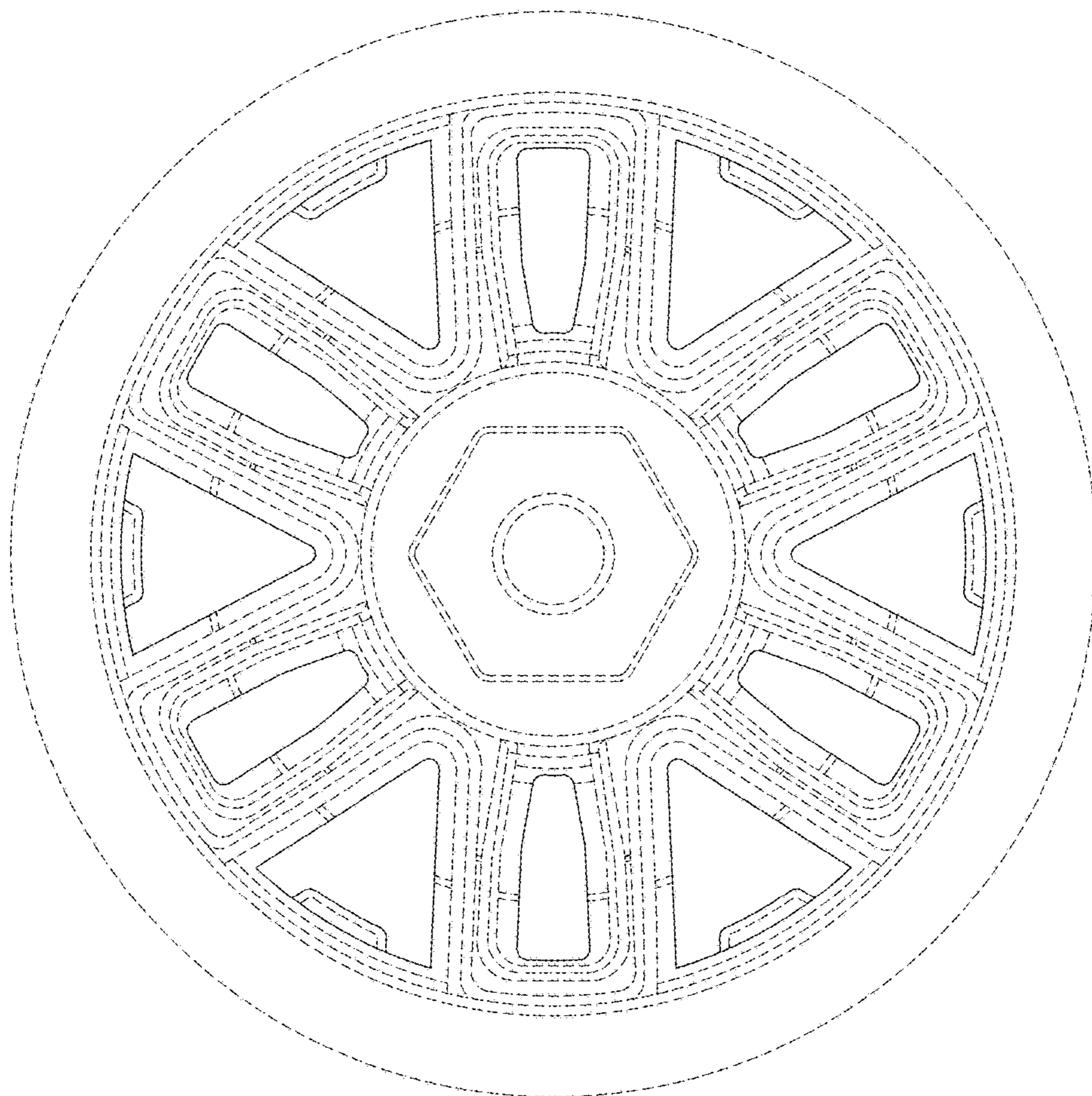


FIG. 5

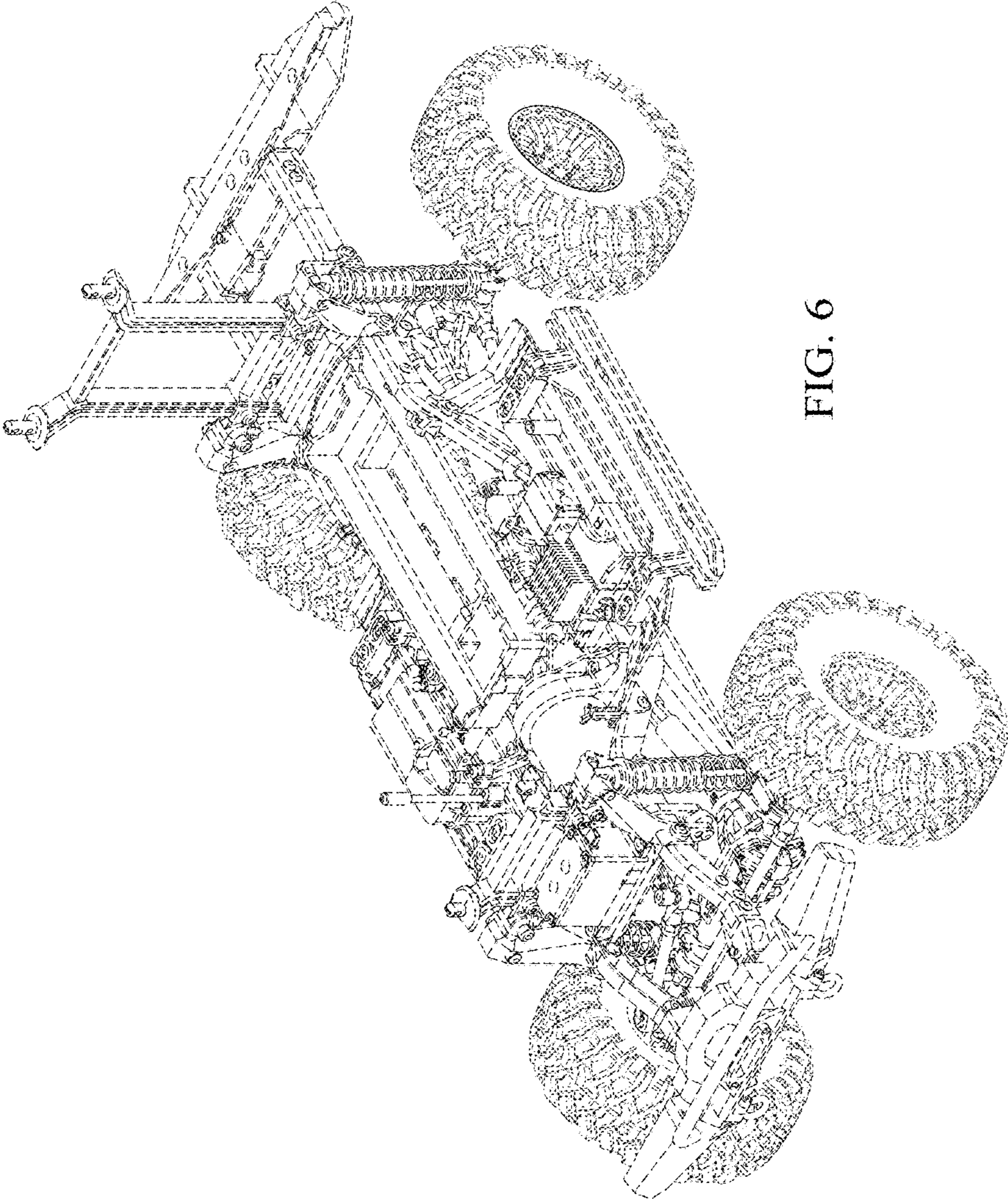


FIG. 6