

US00D862609S

(12) **United States Design Patent**
Muraki et al.

(10) **Patent No.:** **US D862,609 S**
(45) **Date of Patent:** **** Oct. 8, 2019**

(54) **SPINNING TOP TOY**

(71) Applicant: **TOMY COMPANY, LTD.**, Tokyo (JP)

(72) Inventors: **Makoto Muraki**, Tokyo (JP); **Kouji Narita**, Tokyo (JP)

(73) Assignee: **TOMY COMPANY, LTD.**, Tokyo (JP)

(**) Term: **15 Years**

(21) Appl. No.: **29/656,101**

(22) Filed: **Jul. 10, 2018**

(30) **Foreign Application Priority Data**

Feb. 26, 2018 (JP) 2018-003890

(51) **LOC (12) Cl.** **21-01**

(52) **U.S. Cl.**
USPC **D21/460**

(58) **Field of Classification Search**

USPC D21/455-464; 446/236-266
CPC A63H 1/00-32
See application file for complete search history.

(56) **References Cited**

U.S. PATENT DOCUMENTS

D629,468 S *	12/2010	Ujita	D21/460
D827,046 S *	8/2018	Horikoshi	D21/460
D835,209 S *	12/2018	Hashiba	D21/460
D835,724 S *	12/2018	Muraki	D21/460
D837,899 S *	1/2019	Narita	D21/460
D841,098 S *	2/2019	Narita	D21/460
D842,935 S *	3/2019	Horikoshi	D21/460

D844,069 S *	3/2019	Horikawa	D21/460
D846,034 S *	4/2019	Horikawa	D21/460
D846,656 S *	4/2019	Horikoshi	D21/460

FOREIGN PATENT DOCUMENTS

CN	302902769	*	8/2014
CN	303794519	*	8/2016
CN	D1557220	*	8/2016
CN	304630859	*	5/2018
EM	003253442-0008	*	7/2016
EM	003318252-0001	*	8/2016
EM	003318252-0005	*	8/2016
WO	D096881-001	*	12/2017
WO	D096881-004	*	12/2017

* cited by examiner

Primary Examiner — Catherine A Tuttle

(74) *Attorney, Agent, or Firm* — Oliff PLC

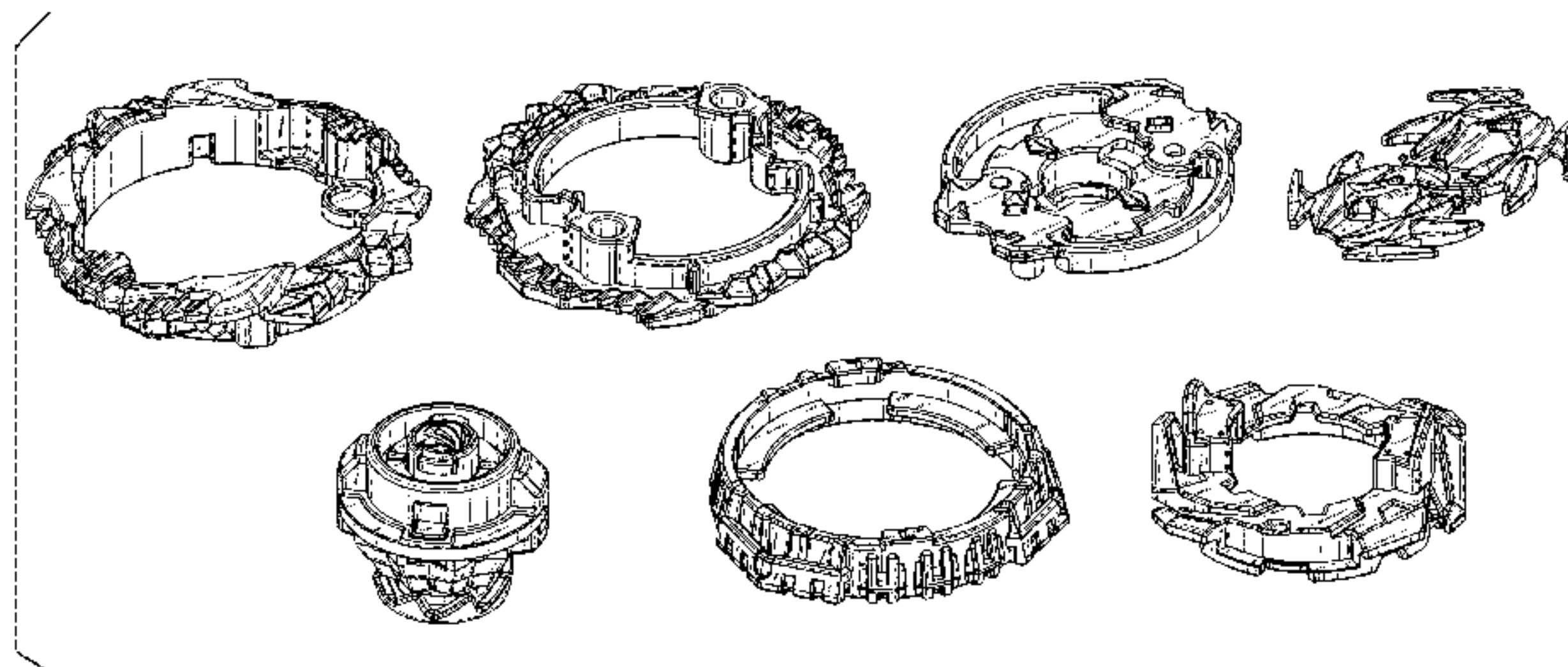
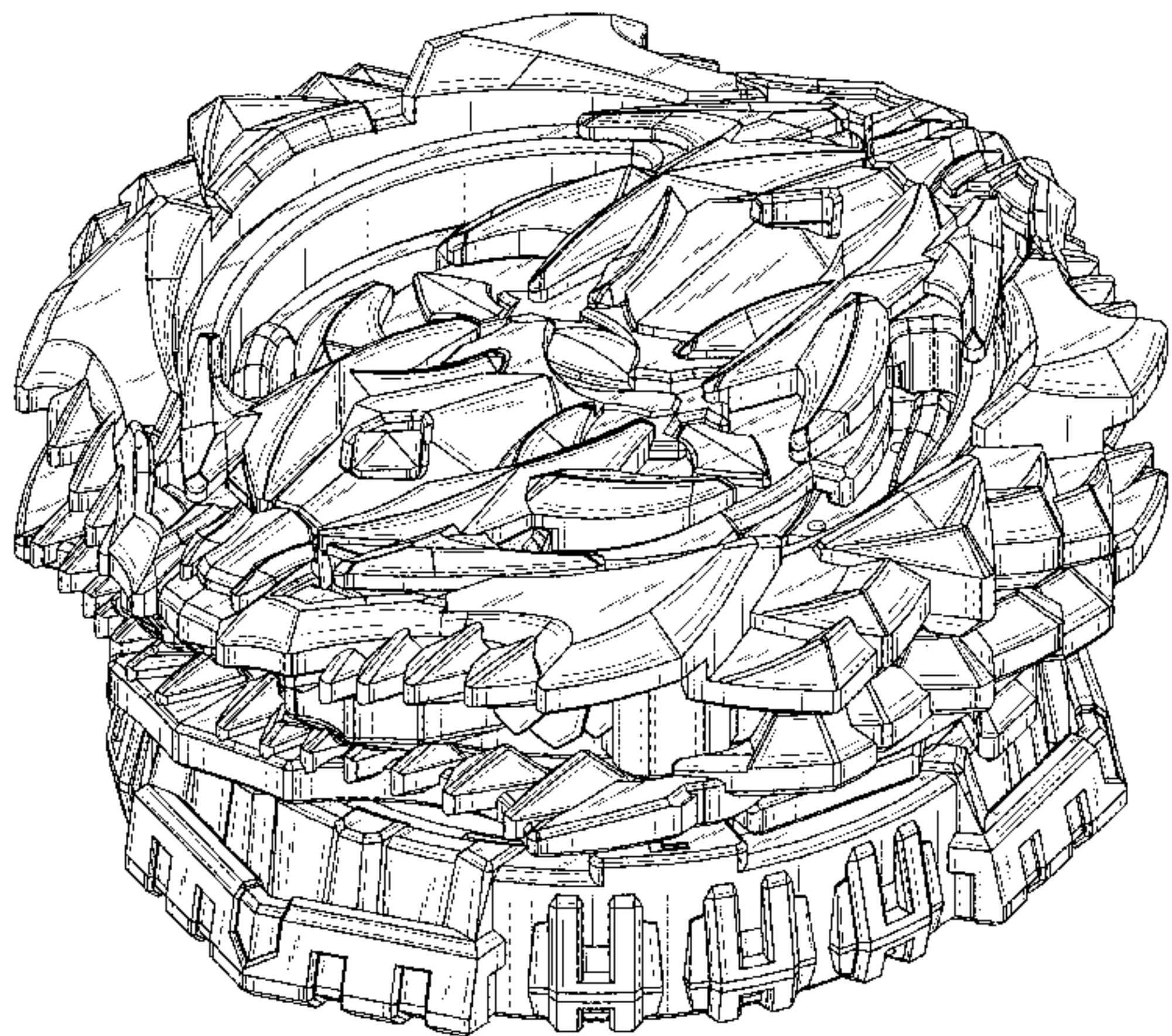
(57) **CLAIM**

The ornamental design for a spinning top toy, as shown and described.

DESCRIPTION

FIG. 1 is a front elevational view of the spinning top toy; FIG. 2 is a left-side elevational view thereof; FIG. 3 is a rear elevational view thereof; FIG. 4 is a right-side elevational view thereof; FIG. 5 is a top plan view thereof; FIG. 6 is a bottom plan view thereof; FIG. 7 is a front, top, right-side perspective view thereof; FIG. 8 is a disassembled front, top and side perspective view thereof; and, FIG. 9 is a disassembled rear, bottom and side perspective view thereof.

1 Claim, 9 Drawing Sheets



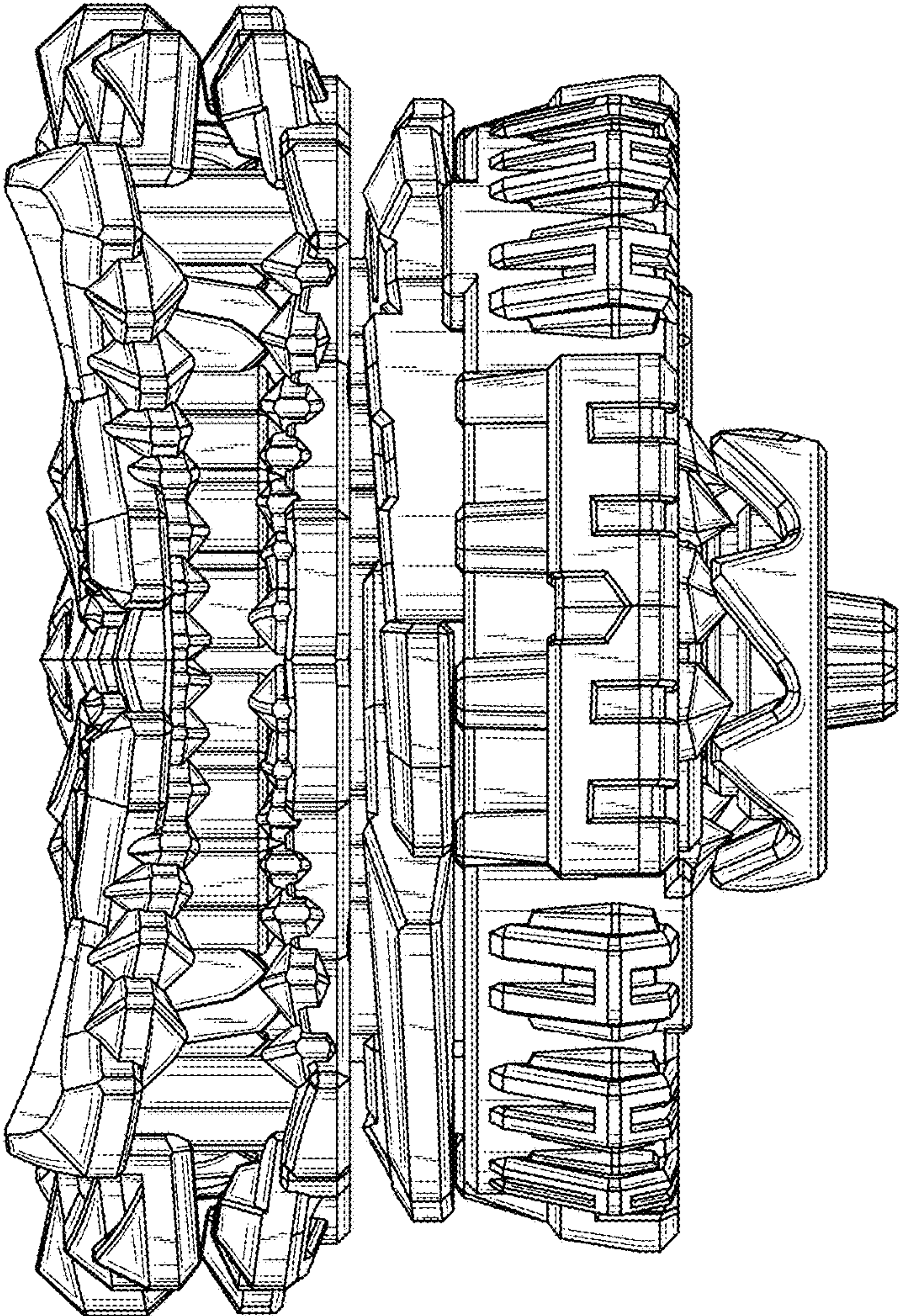


FIG. 1

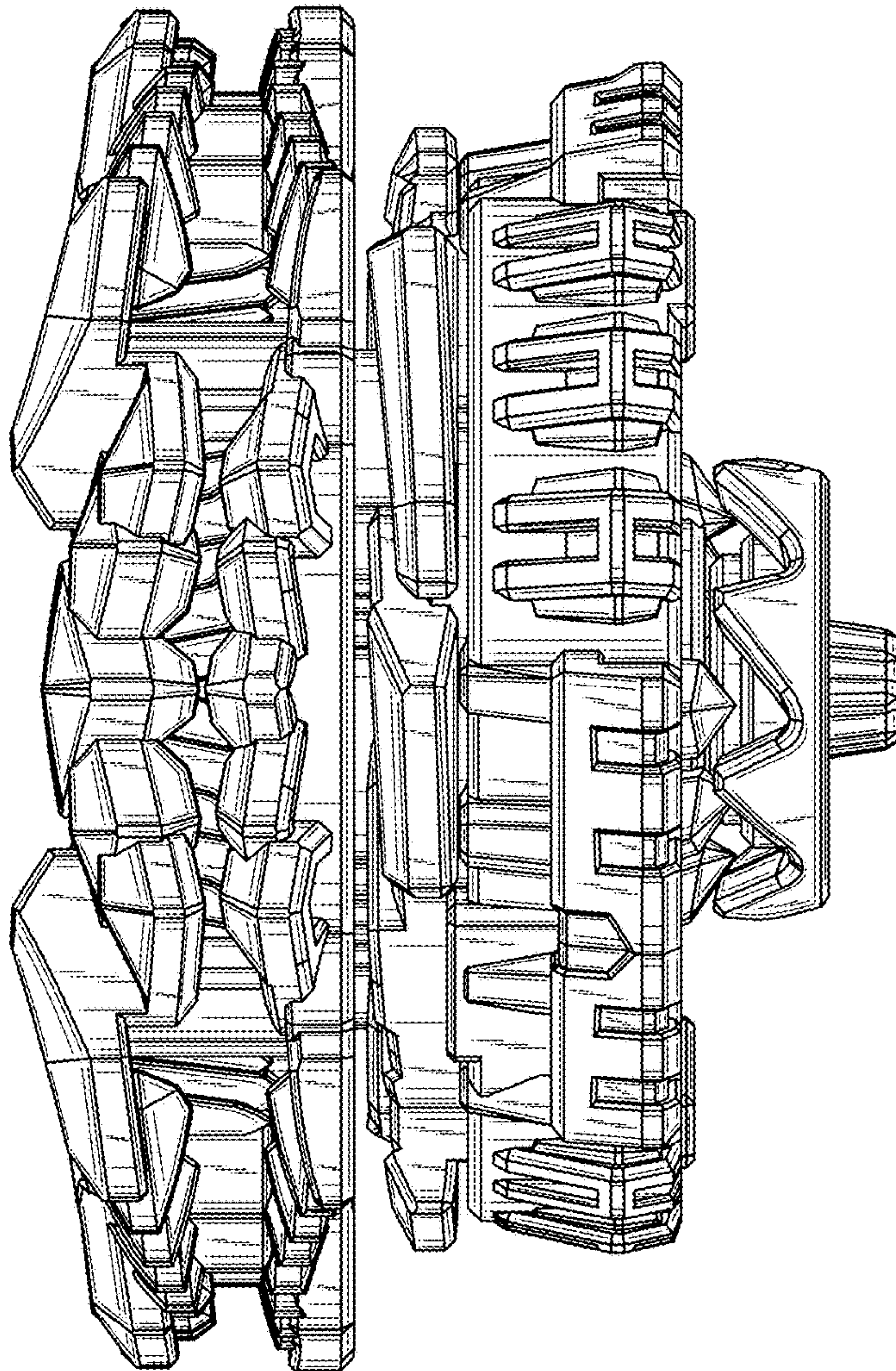


FIG. 2

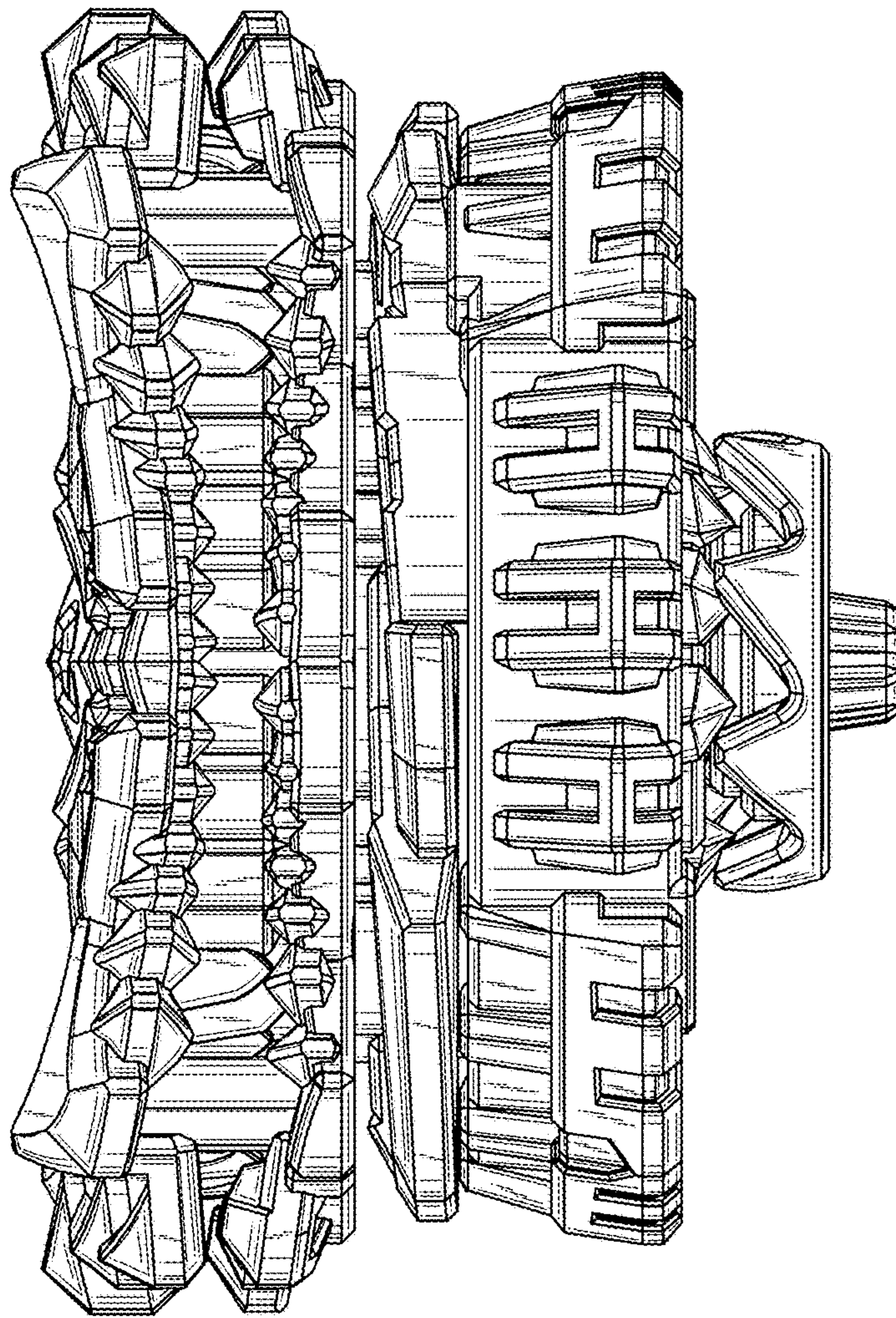


FIG. 3

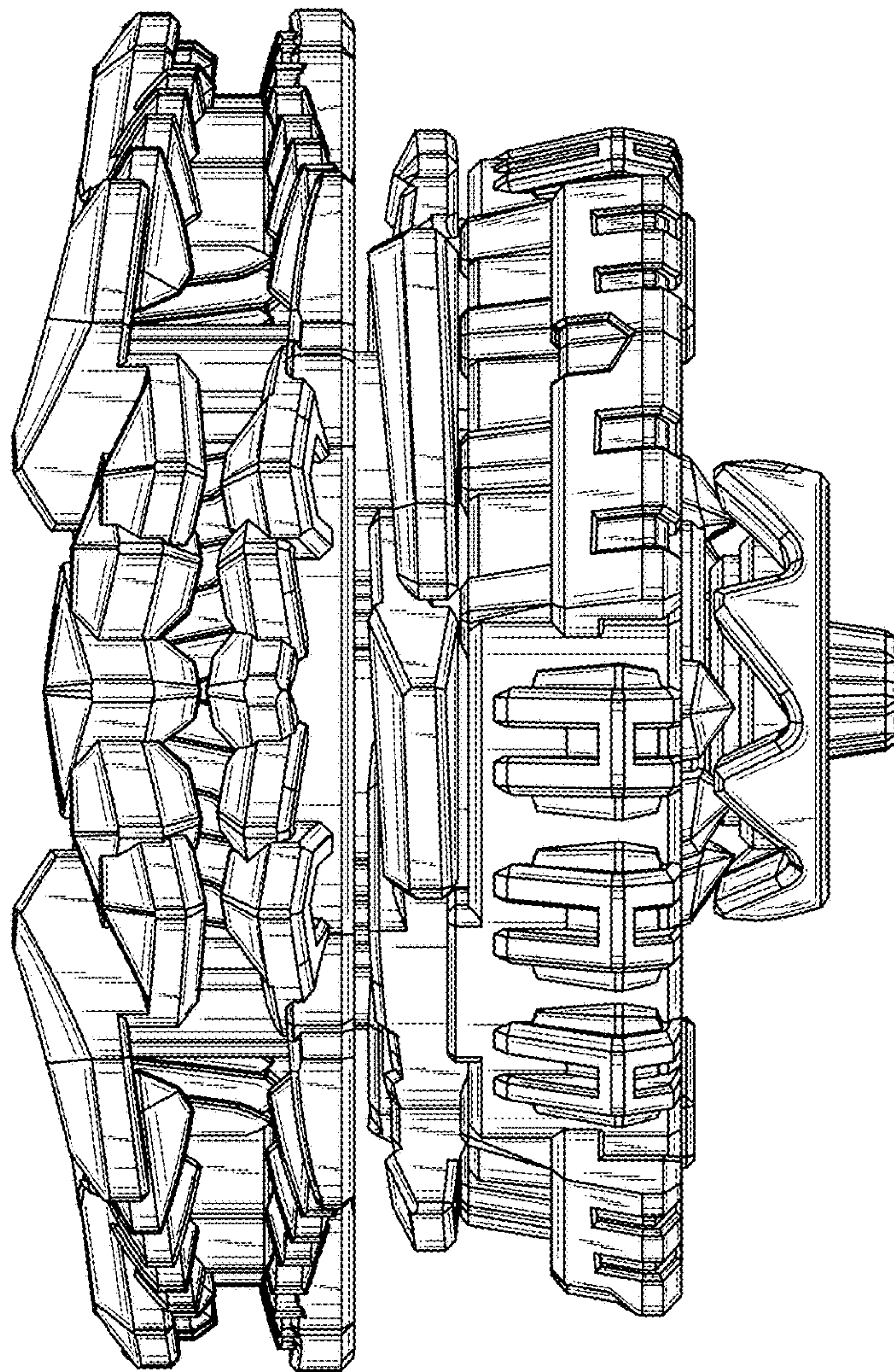


FIG. 4

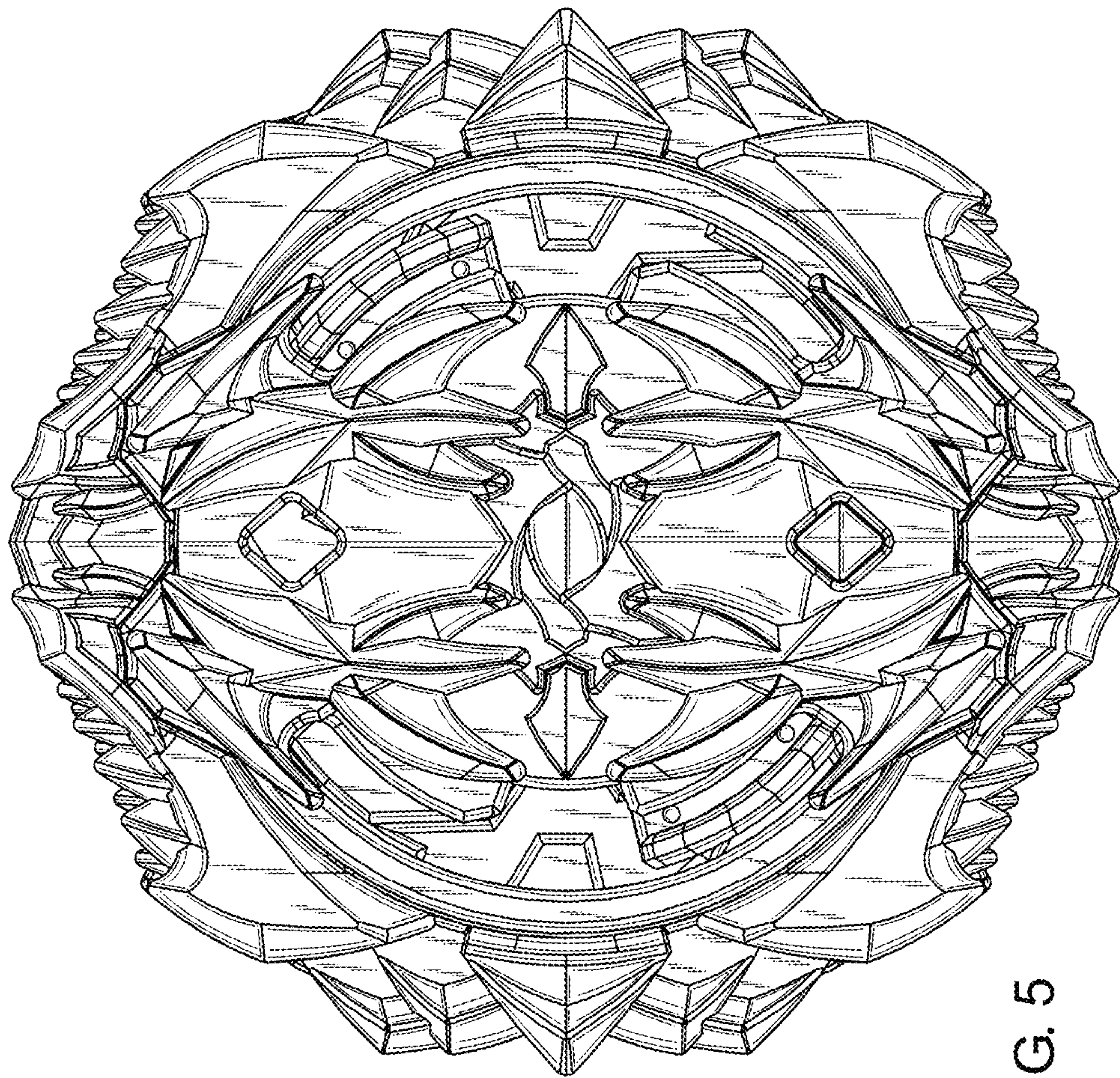


FIG. 5

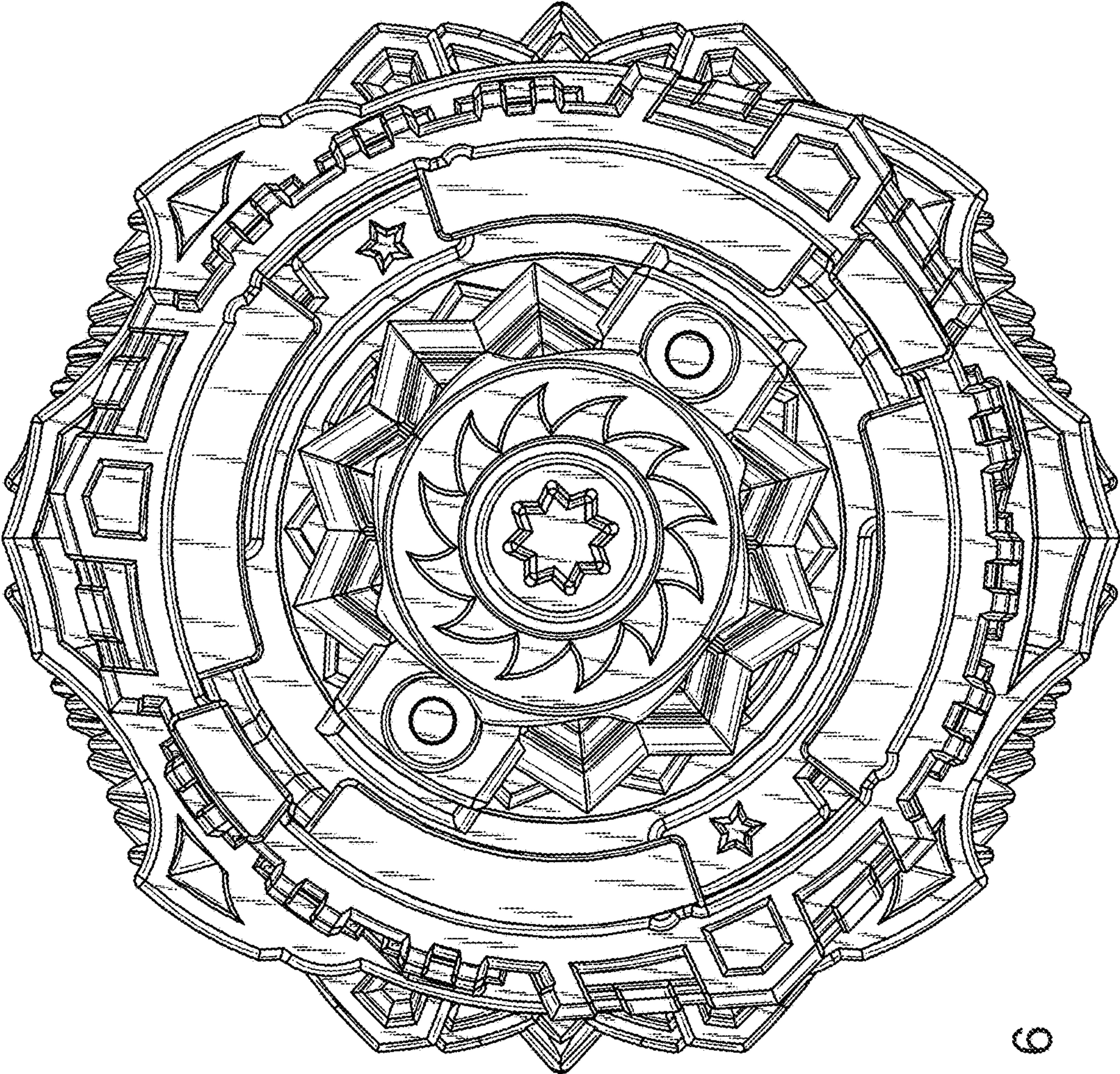


FIG. 6

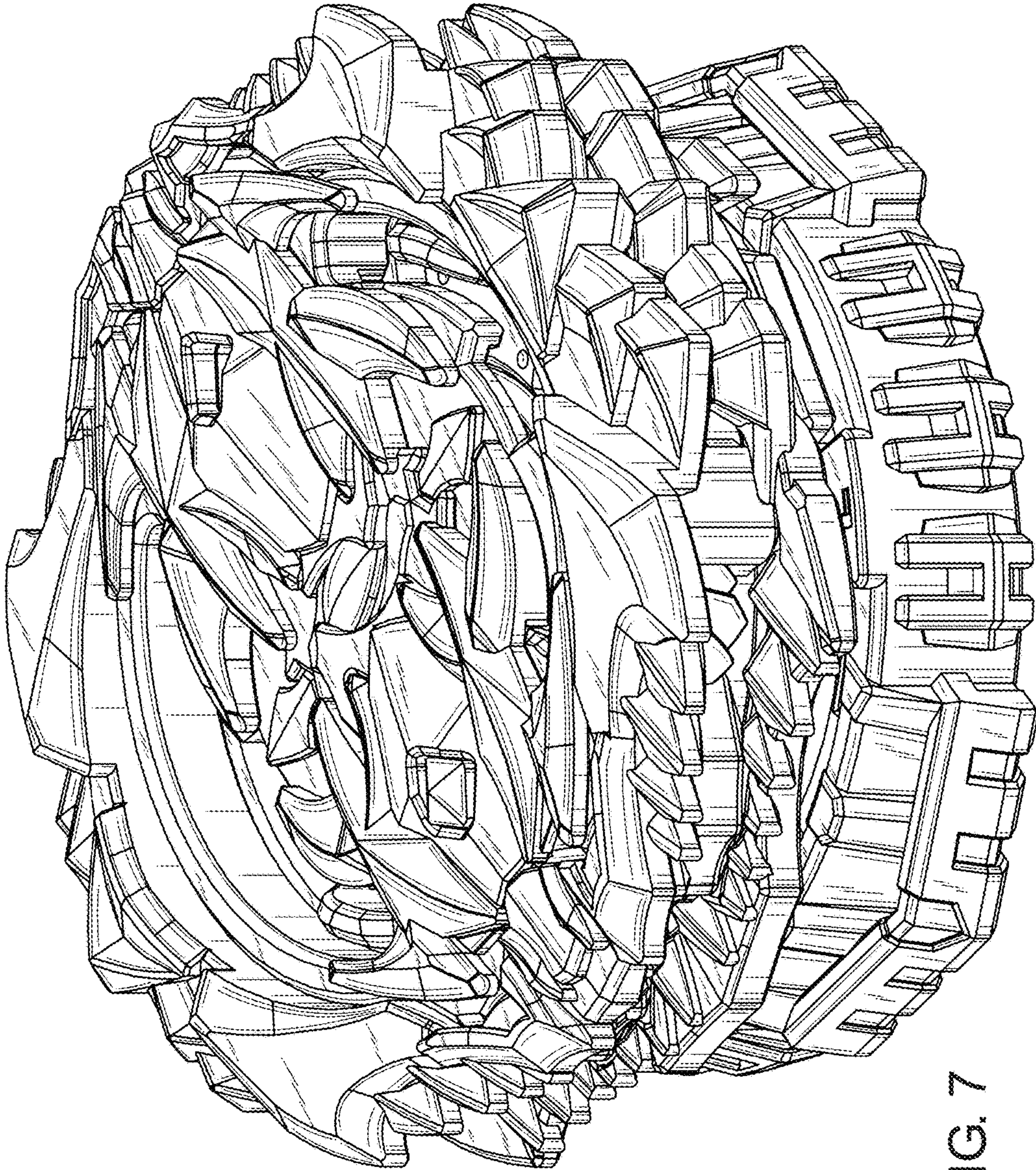


FIG. 7

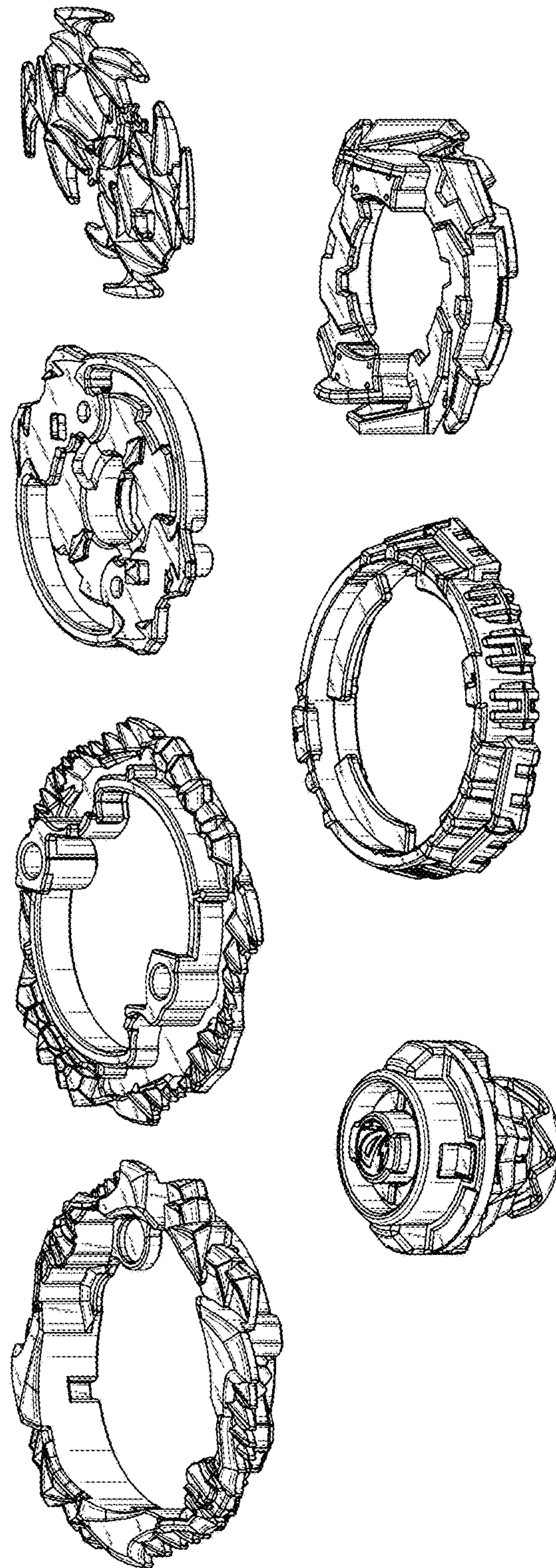


FIG. 8

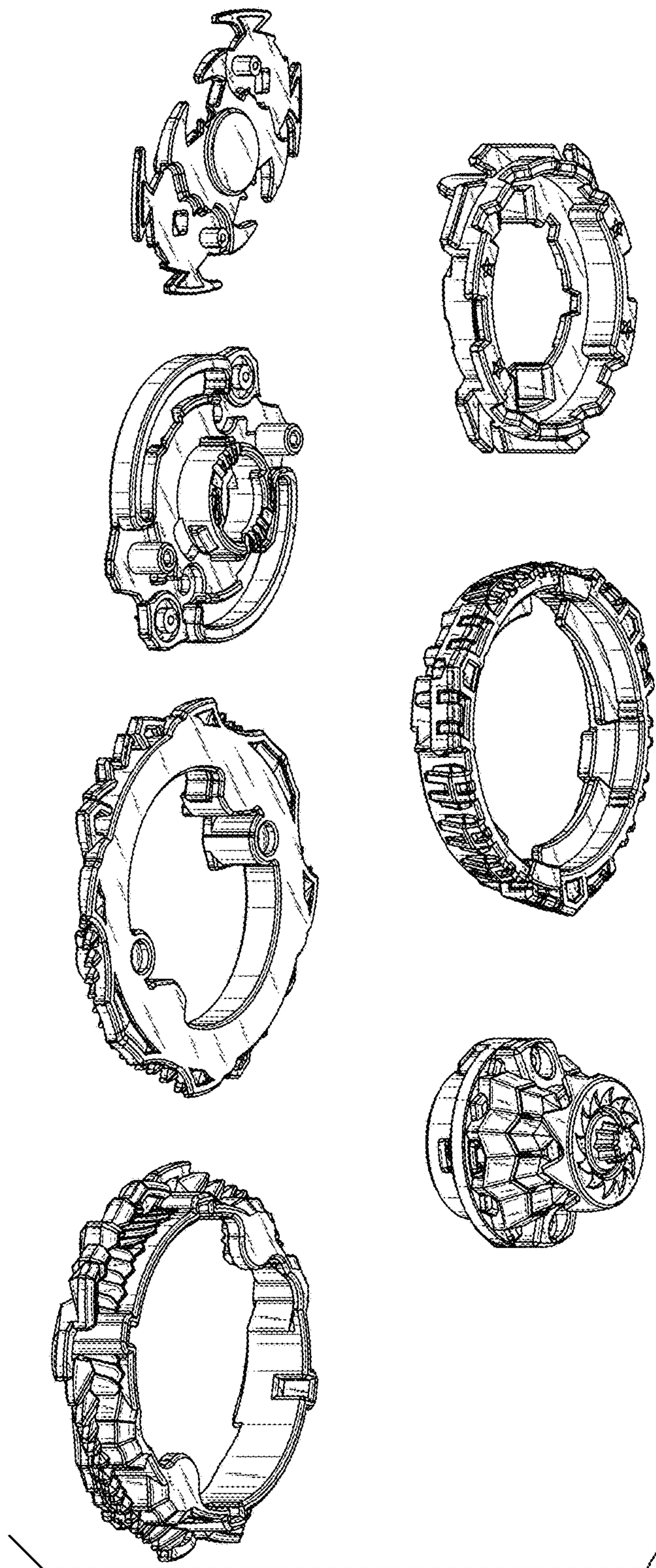


FIG. 9