



US00D862608S

(12) **United States Design Patent**
Yamasaki et al.

(10) **Patent No.: US D862,608 S**

(45) **Date of Patent: ** Oct. 8, 2019**

(54) **ACCESSORY FOR SPINNING TOP TOY**

FOREIGN PATENT DOCUMENTS

(71) Applicant: **TOMY COMPANY, LTD.**, Tokyo (JP)

CN 303863705 * 9/2016

(72) Inventors: **Yasuhiro Yamasaki**, Tokyo (JP);
Hiroyuki Matsukawa, Tokyo (JP)

CN 303863727 * 9/2016

CN 303970411 * 12/2016

CN 304401274 * 12/2017

CN 304630861 * 6/2018

CN 304679024 * 6/2018

(73) Assignee: **TOMY COMPANY, LTD.**, Tokyo (JP)

EM 003253442-0008 * 7/2016

EM 003866169-0005 * 4/2018

(**) Term: **15 Years**

JP D1549751 * 5/2016

JP 6258541 B1 * 1/2018 A63H 1/04

(21) Appl. No.: **29/656,087**

JP 6377211 B1 * 8/2018 A63H 1/02

JP 6405415 B1 * 10/2018 A63H 1/02

(22) Filed: **Jul. 10, 2018**

WO D096791-004 * 1/2018

WO D098283-005 * 4/2018

(30) **Foreign Application Priority Data**

* cited by examiner

Feb. 26, 2018 (JP) 2018-003893

Primary Examiner — Catherine A Tuttle

(51) **LOC (12) Cl.** **21-01**

(74) *Attorney, Agent, or Firm* — Oliff PLC

(52) **U.S. Cl.**

USPC **D21/460**

(58) **Field of Classification Search**

USPC D21/455-464; 446/236-266

CPC A63H 1/00-32

See application file for complete search history.

(57) **CLAIM**

The ornamental design for an accessory for spinning top toy, as shown and described.

DESCRIPTION

(56) **References Cited**

U.S. PATENT DOCUMENTS

D629,051 S * 12/2010 Nishimoto D21/460

D629,468 S * 12/2010 Ujita D21/460

D646,729 S * 10/2011 Ujita D21/460

D820,919 S * 6/2018 Horikoshi D21/460

D827,046 S * 8/2018 Horikoshi D21/460

D828,456 S * 9/2018 Muraki D21/460

D837,899 S * 1/2019 Narita D21/460

D841,099 S * 2/2019 Matsukawa D21/460

D842,935 S * 3/2019 Horikoshi D21/460

D846,034 S * 4/2019 Horikawa D21/460

D846,656 S * 4/2019 Horikoshi D21/460

2011/0256796 A1 * 10/2011 Ujita A63H 1/00

446/264

2019/0134517 A1 * 5/2019 Muraki A63H 1/02

FIG. 1 is a front elevational view of the accessory for spinning top toy;

FIG. 2 is a left-side elevational view thereof;

FIG. 3 is a rear elevational view thereof;

FIG. 4 is a right-side elevational view thereof;

FIG. 5 is a top plan view thereof;

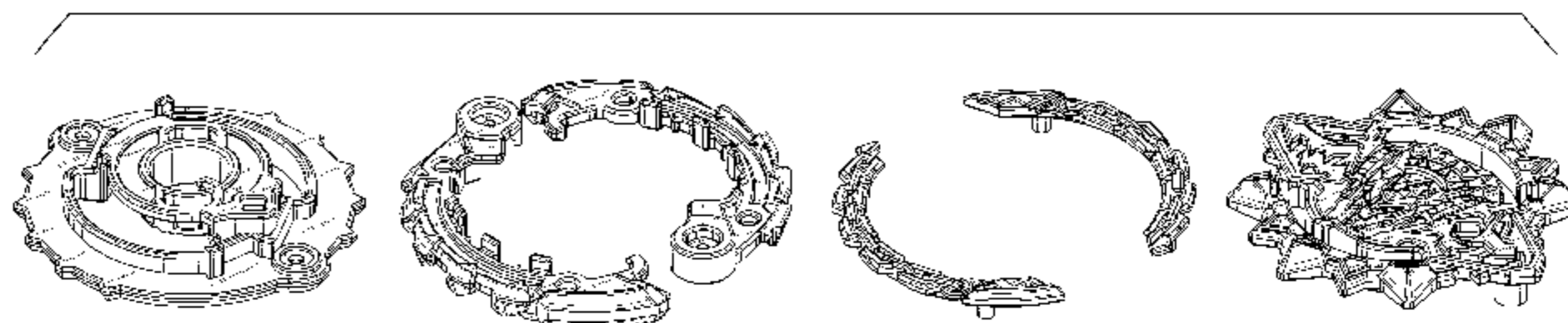
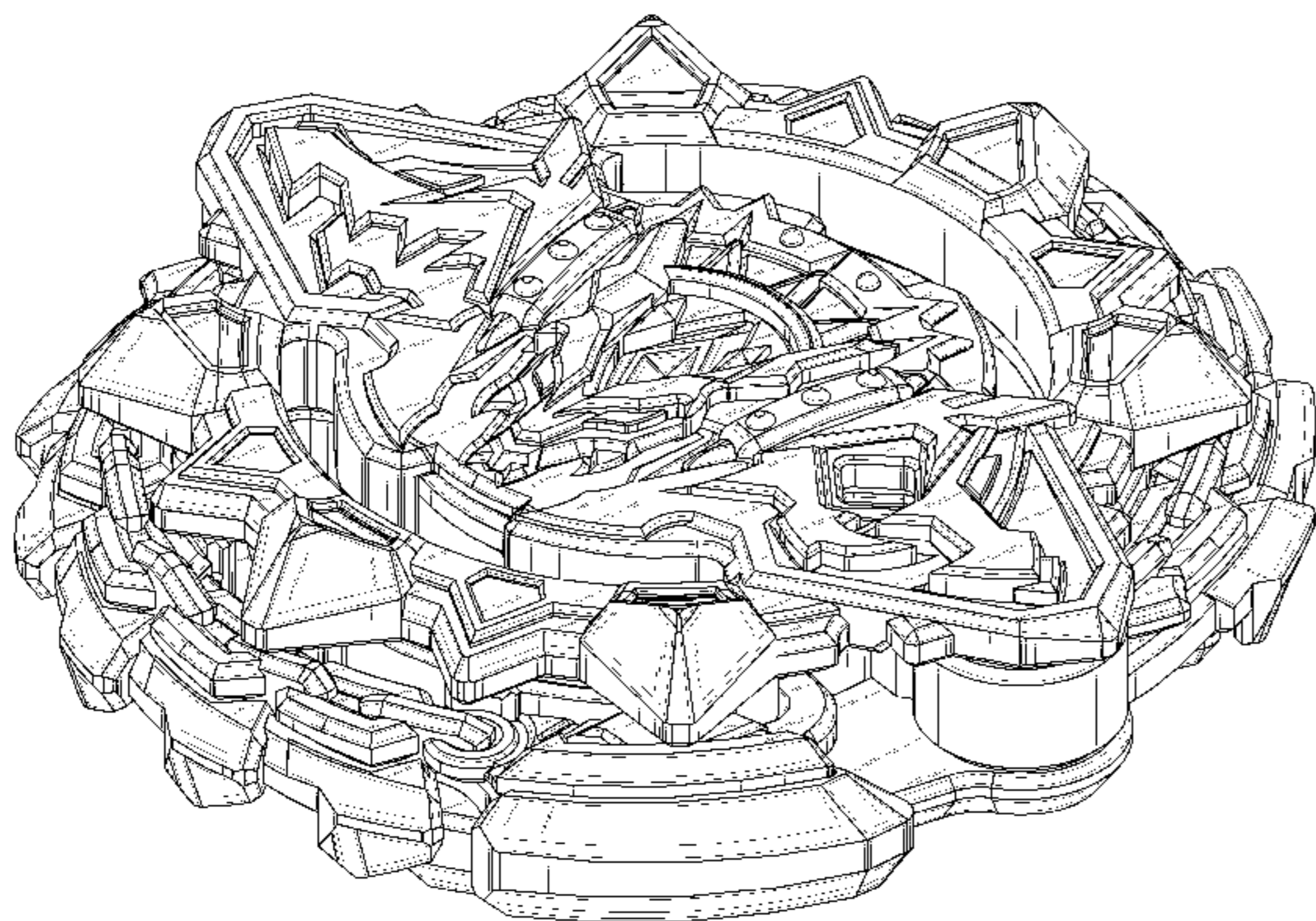
FIG. 6 is a bottom plan view thereof;

FIG. 7 is a front, top, right-side perspective view thereof;

FIG. 8 is a disassembled front, top and side perspective view thereof; and,

FIG. 9 is a disassembled rear, bottom and side perspective view thereof.

1 Claim, 9 Drawing Sheets



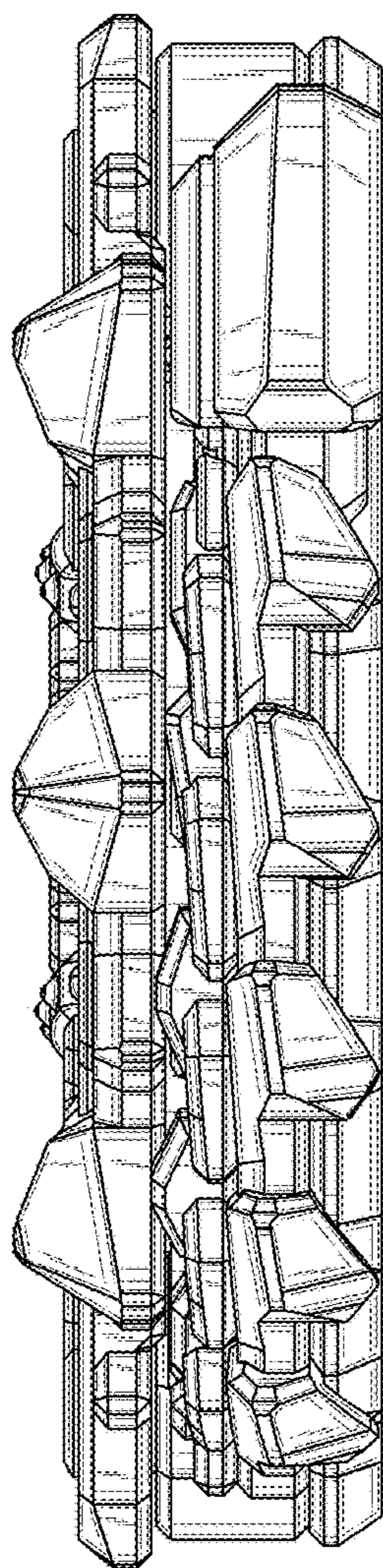
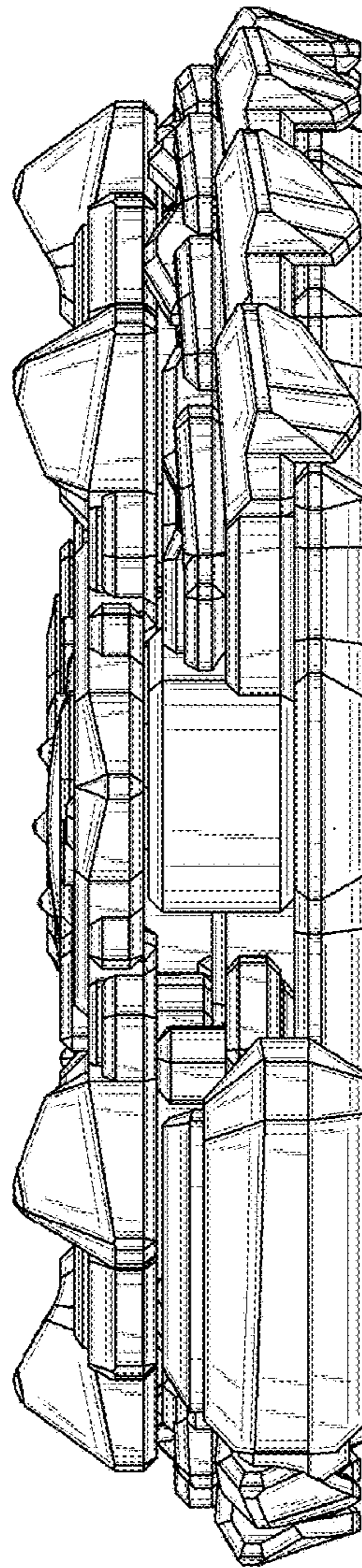


FIG. 1

FIG. 2



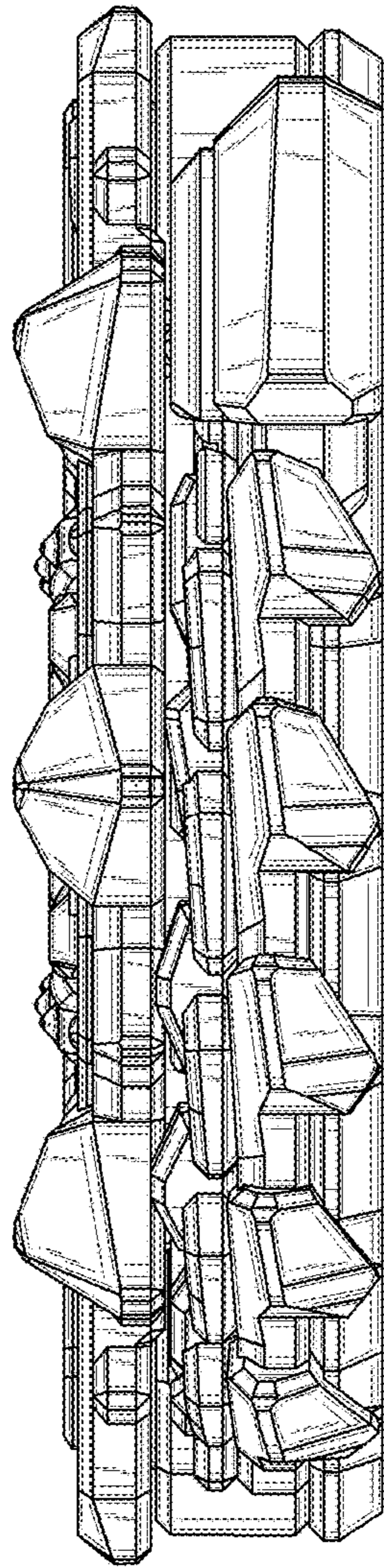


FIG. 3

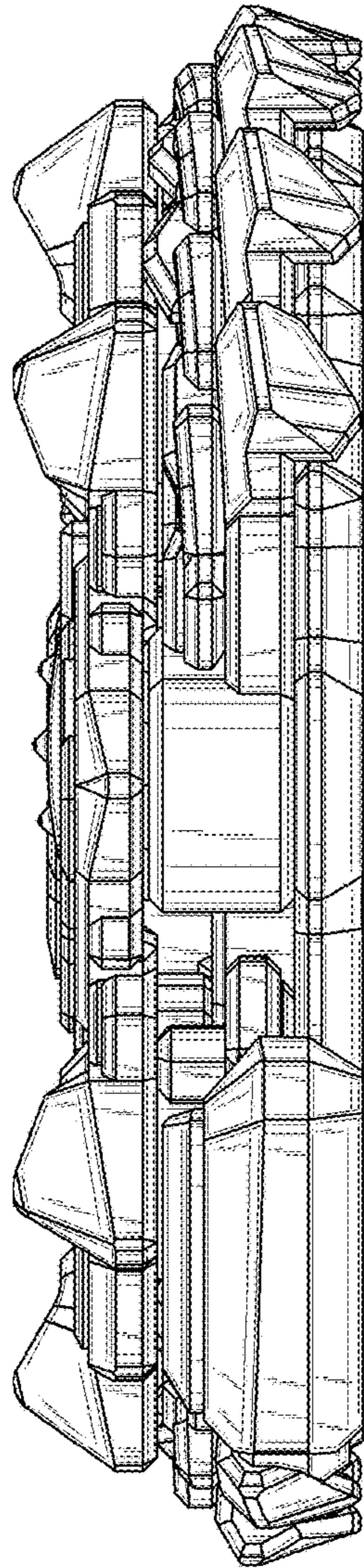


FIG. 4

FIG. 5

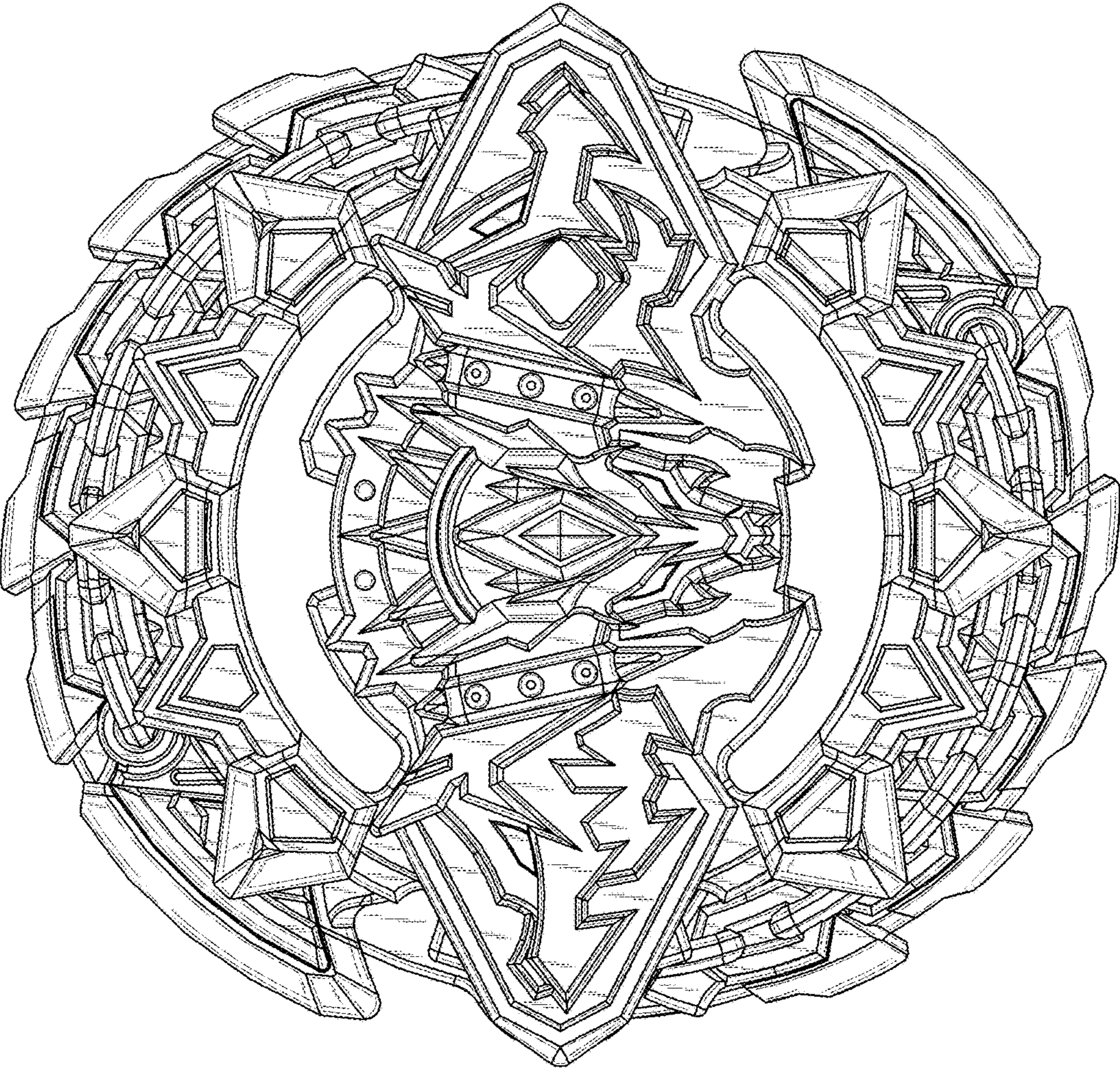
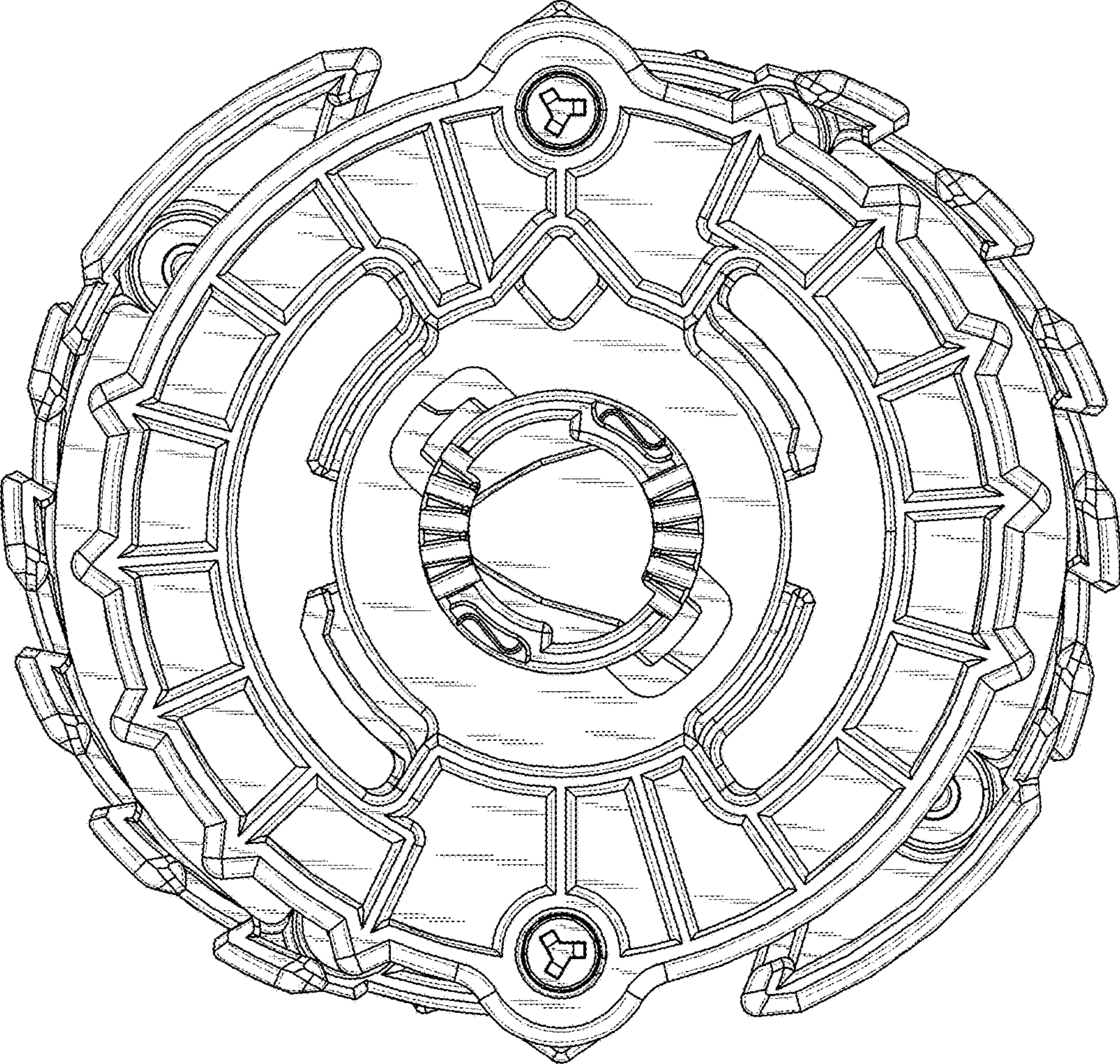


FIG. 6



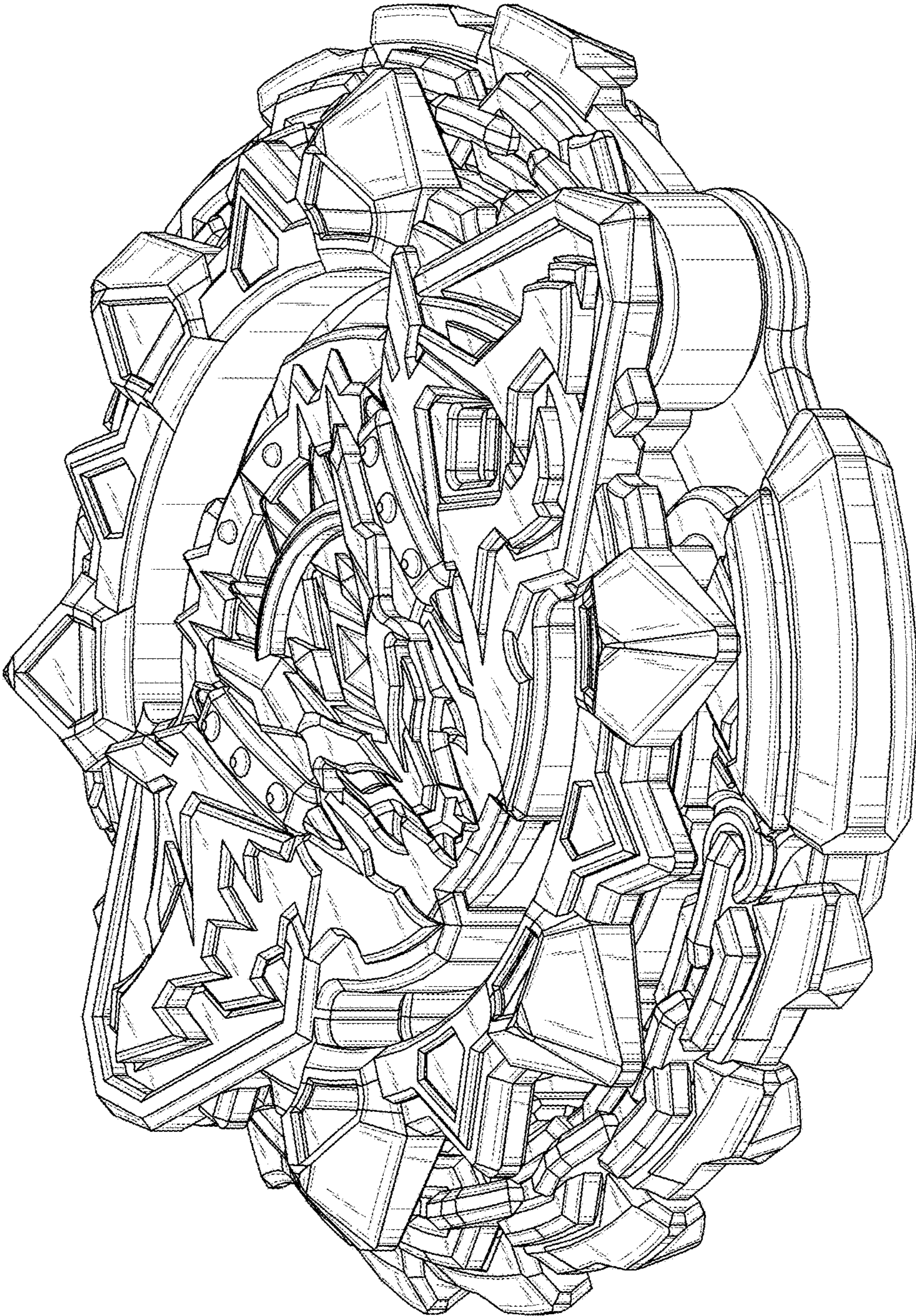


FIG. 7

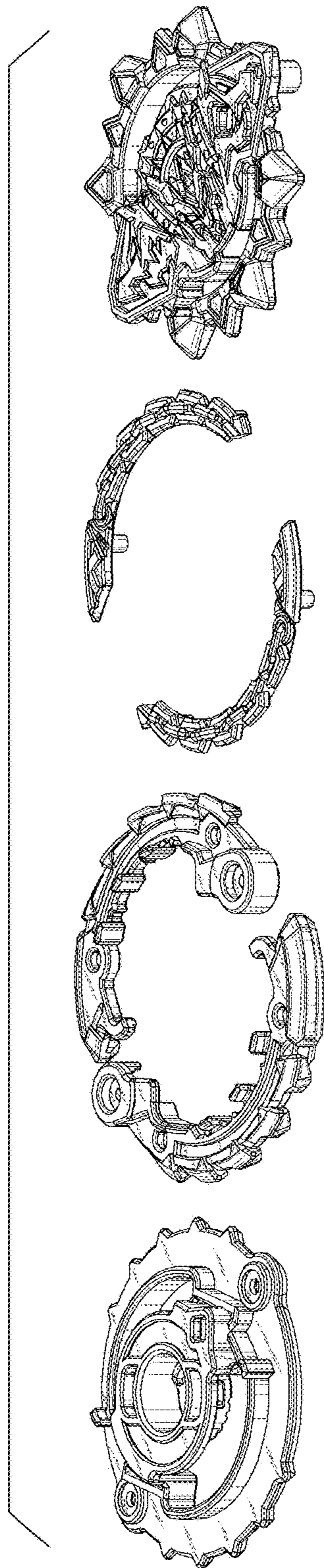


FIG. 8

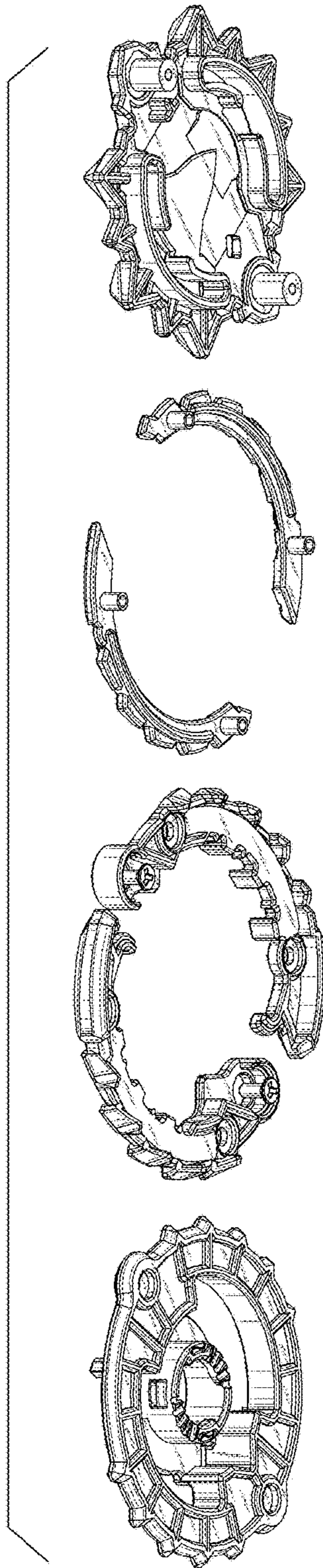


FIG. 9