

US00D862607S

(12) **United States Design Patent**
Horikoshi et al.

(10) **Patent No.:** **US D862,607 S**
(45) **Date of Patent:** **** Oct. 8, 2019**

(54) **SPINNING TOP TOY**

FOREIGN PATENT DOCUMENTS

- (71) Applicant: **TOMY COMPANY, LTD.**, Tokyo (JP)
- (72) Inventors: **Kenji Horikoshi**, Tokyo (JP); **Hiroyuki Matsukawa**, Tokyo (JP)
- (73) Assignee: **TOMY COMPANY, LTD.**, Tokyo (JP)
- (**) Term: **15 Years**
- (21) Appl. No.: **29/656,082**
- (22) Filed: **Jul. 10, 2018**

CN	302889586	*	7/2014	
CN	302902769	*	8/2014	
CN	303794519	*	8/2016	
CN	304630859	*	5/2018	
EM	003253442-0008	*	7/2016	
EM	003318252-0001	*	8/2016	
EM	003318252-0005	*	8/2016	
JP	6258541	B1 *	1/2018 A63H 1/04
WO	D096881-001	*	12/2017	
WO	D096881-004	*	12/2017	

* cited by examiner

Primary Examiner — Catherine A Tuttle
(74) *Attorney, Agent, or Firm* — Oliff PLC

(30) **Foreign Application Priority Data**

- Feb. 23, 2018 (JP) 2018-003781
- (51) **LOC (12) Cl.** **21-01**
- (52) **U.S. Cl.**
USPC **D21/460**
- (58) **Field of Classification Search**
USPC D21/455-464; 446/236-266
CPC A63H 1/00-32
See application file for complete search history.

(57) **CLAIM**

The ornamental design for a spinning top toy, as shown and described.

DESCRIPTION

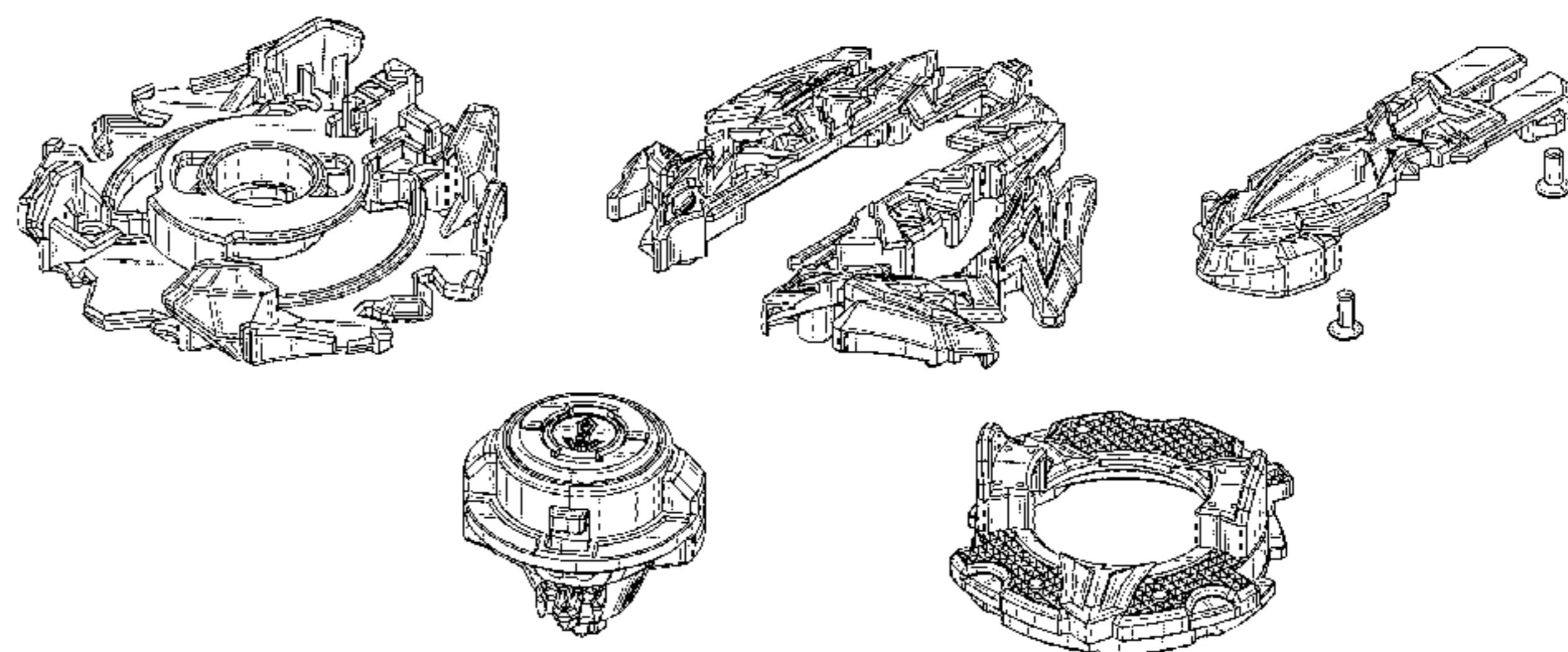
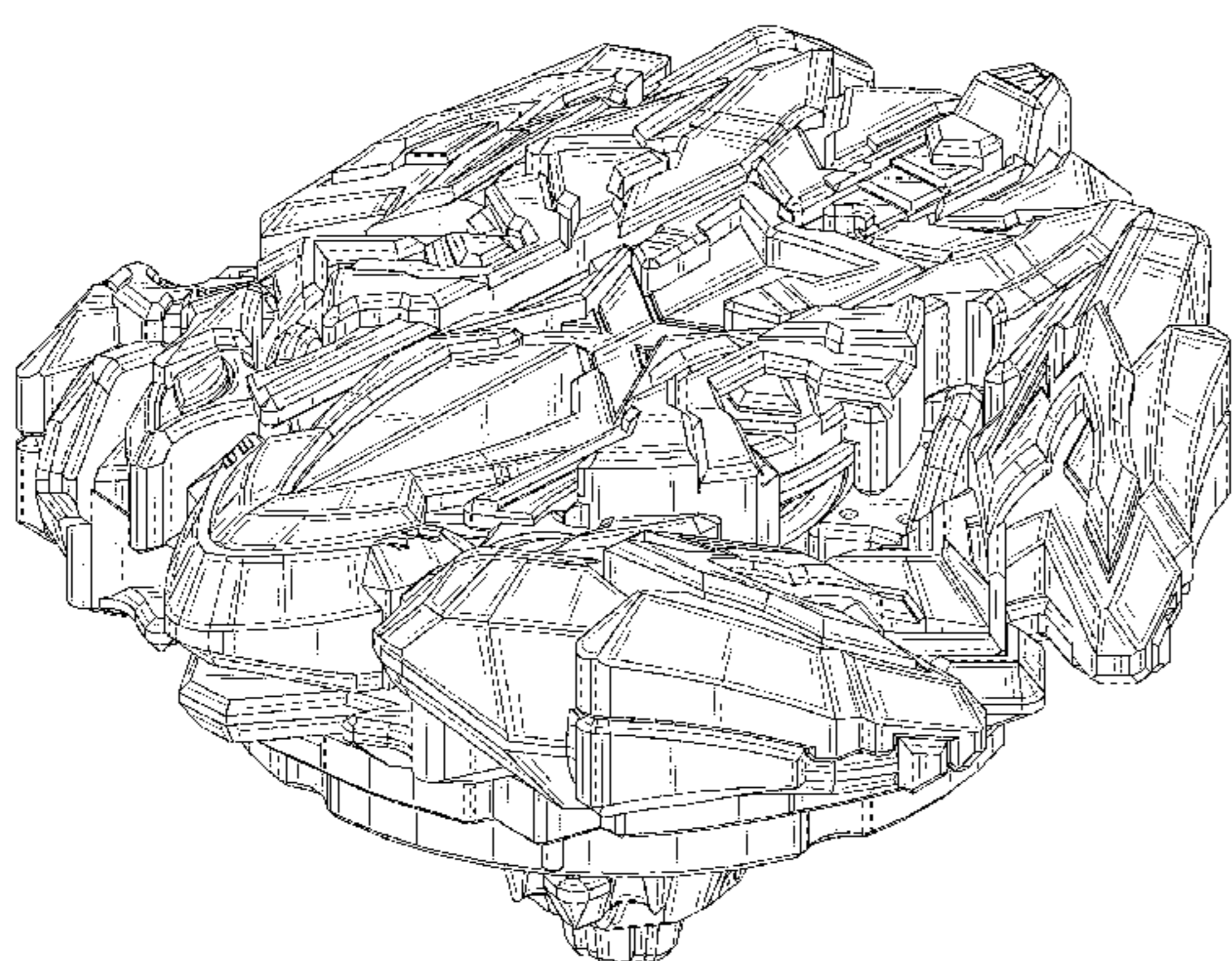
FIG. 1 is a front elevational view of the spinning top toy; FIG. 2 is a left-side elevational view thereof; FIG. 3 is a rear elevational view thereof; FIG. 4 is a right-side elevational view thereof; FIG. 5 is a top plan view thereof; FIG. 6 is a bottom plan view thereof; FIG. 7 is a front, top, right-side perspective view thereof; FIG. 8 is a disassembled front, top and side perspective view thereof; FIG. 9 is a disassembled rear, bottom and side perspective view thereof; and, FIG. 10 is a perspective view similar to FIG. 7, but showing and alternate configuration wherein the upper central component is shifted forward.

(56) **References Cited**

U.S. PATENT DOCUMENTS

D629,468	S	*	12/2010	Ujita	D21/460
D662,556	S	*	6/2012	Horikoshi	D21/460
D827,043	S	*	8/2018	Muraki	D21/460
D827,046	S	*	8/2018	Horikoshi	D21/460
D828,456	S	*	9/2018	Muraki	D21/460
D834,103	S	*	11/2018	Horikoshi	D21/460
D837,899	S	*	1/2019	Narita	D21/460
D842,935	S	*	3/2019	Horikoshi	D21/460
D845,396	S	*	4/2019	Horikoshi	D21/460
D846,034	S	*	4/2019	Horikawa	D21/460
D846,655	S	*	4/2019	Horikawa	D21/460
D846,656	S	*	4/2019	Horikoshi	D21/460
2003/0064660	A1	*	4/2003	Matsukawa	A63F 3/00895 446/256

1 Claim, 10 Drawing Sheets



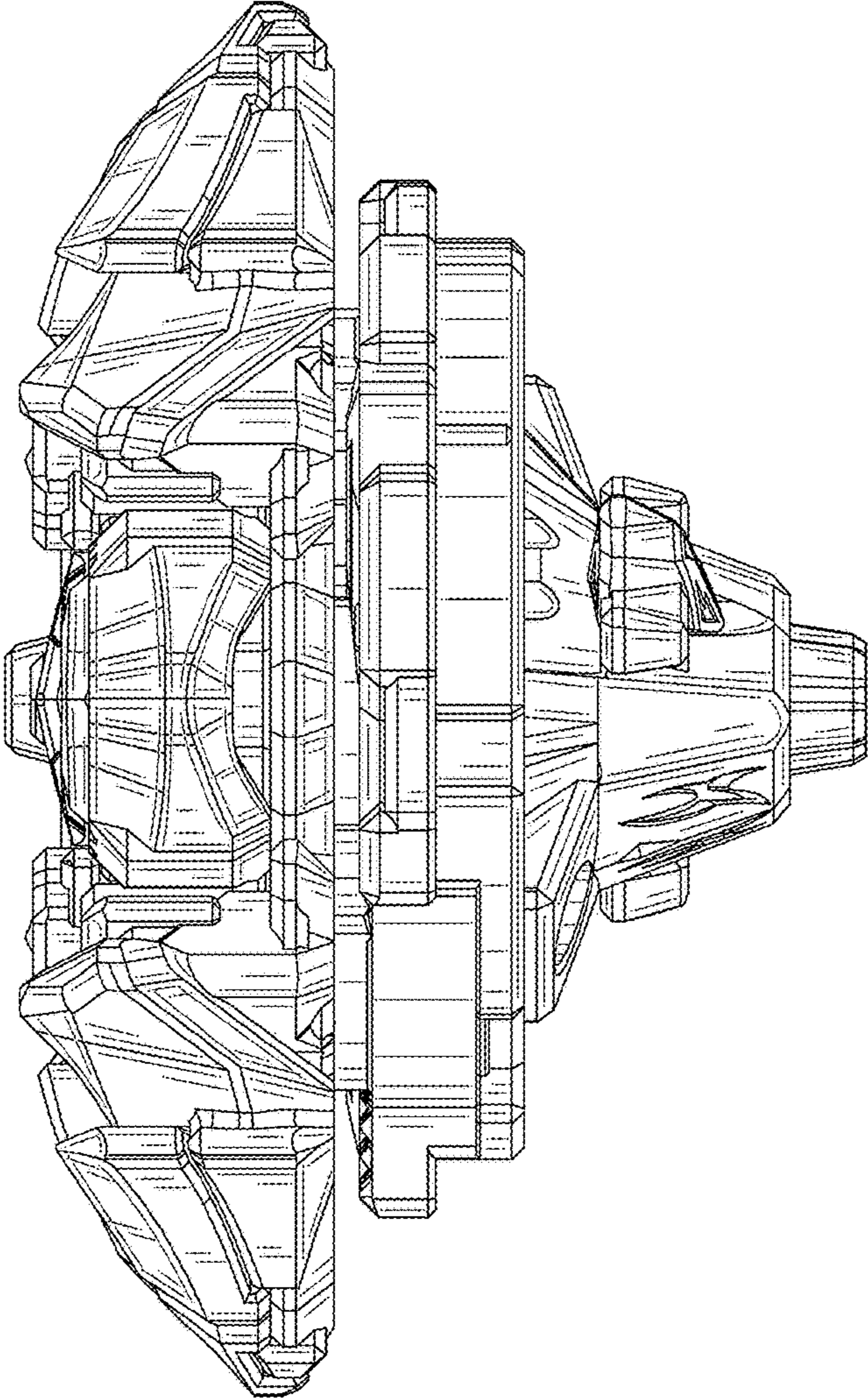


FIG. 1

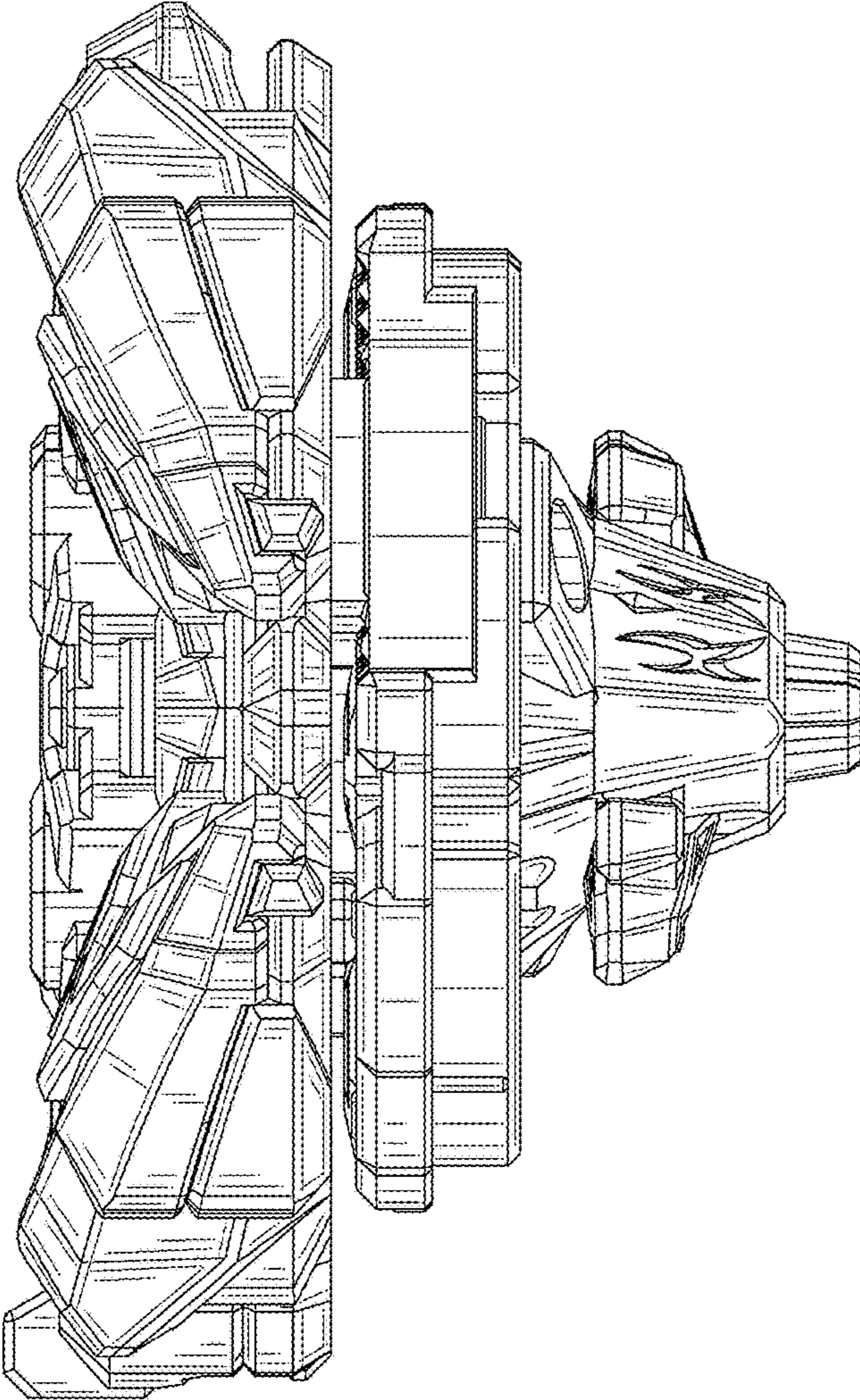


FIG. 2

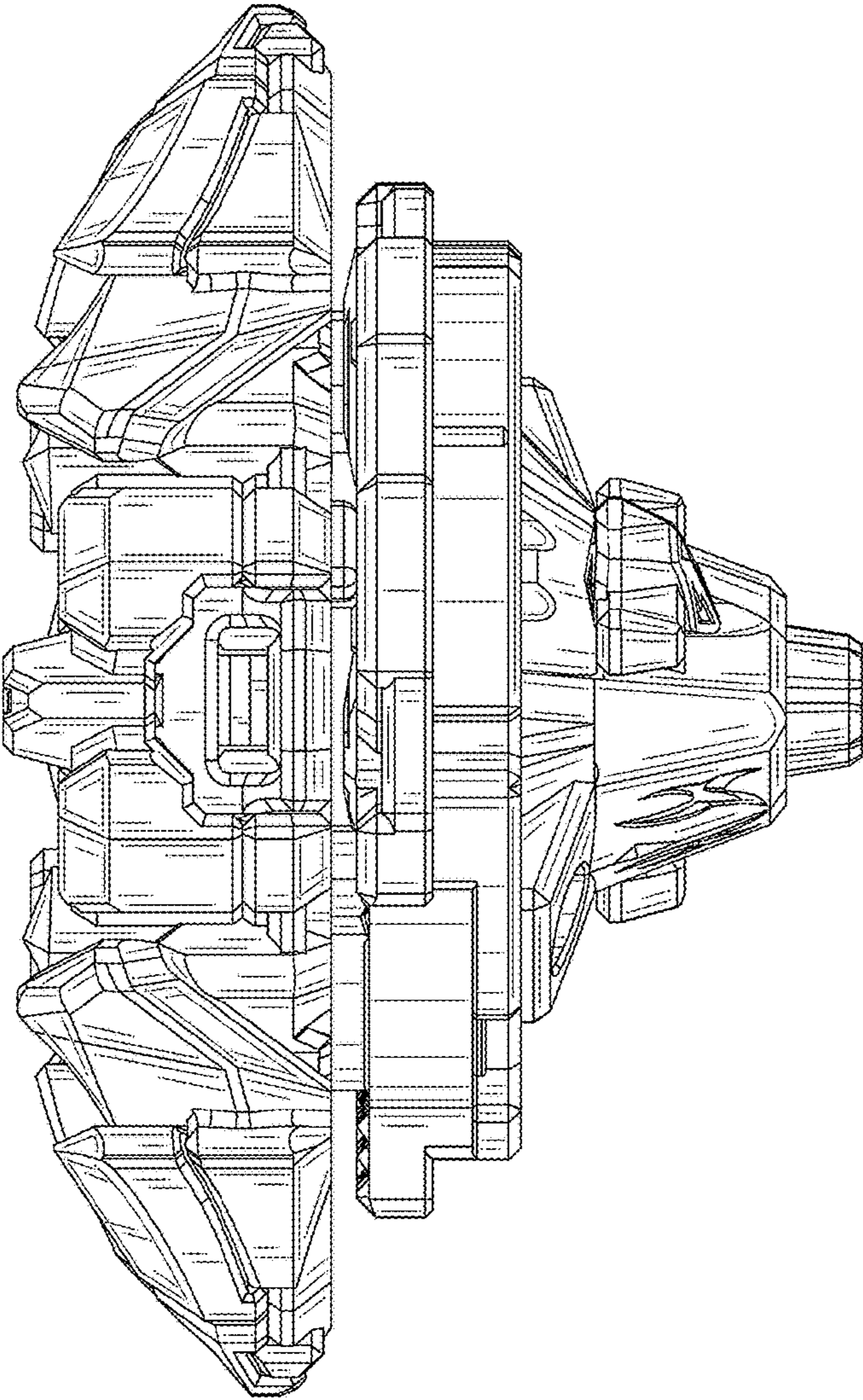


FIG. 3

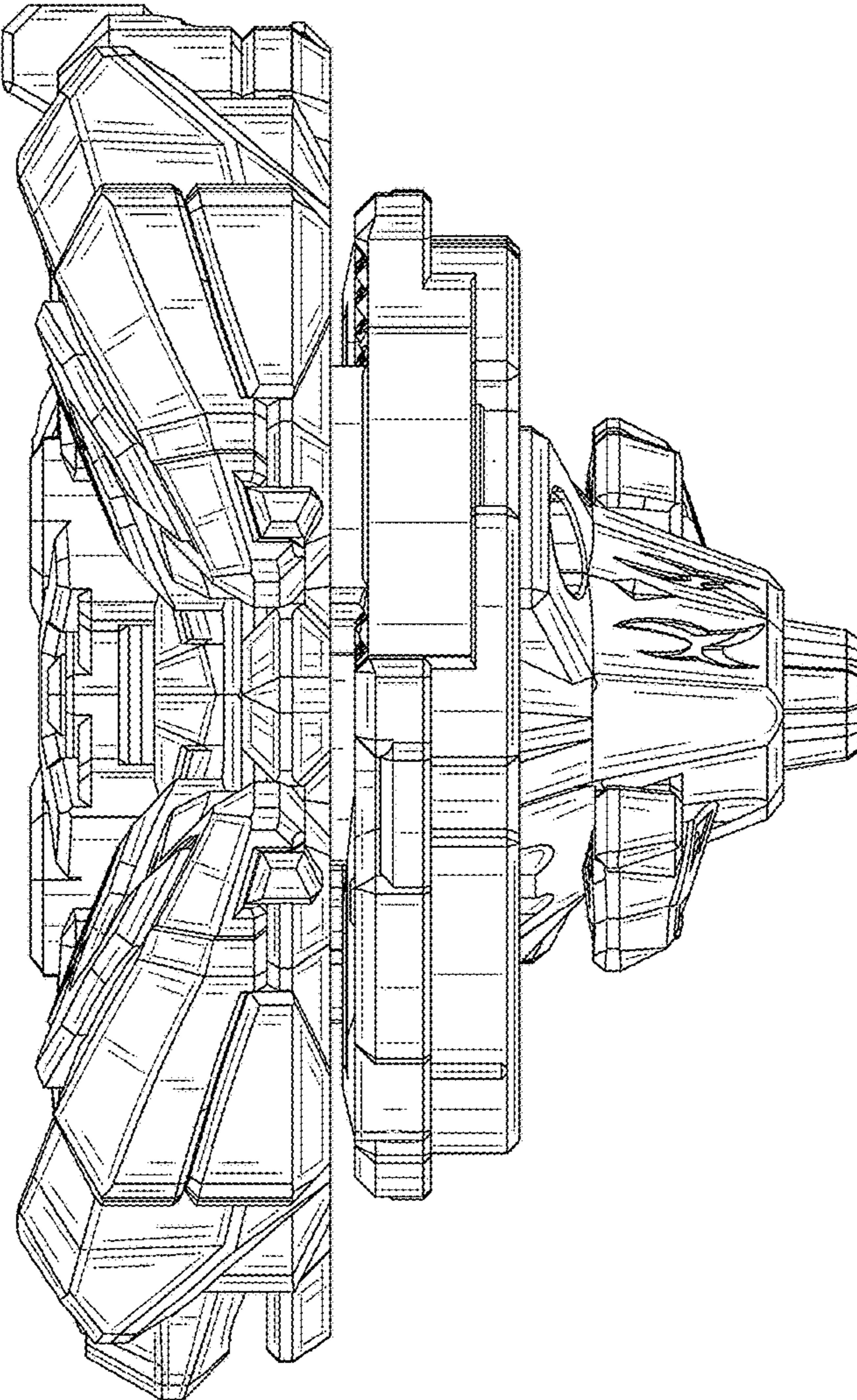


FIG. 4

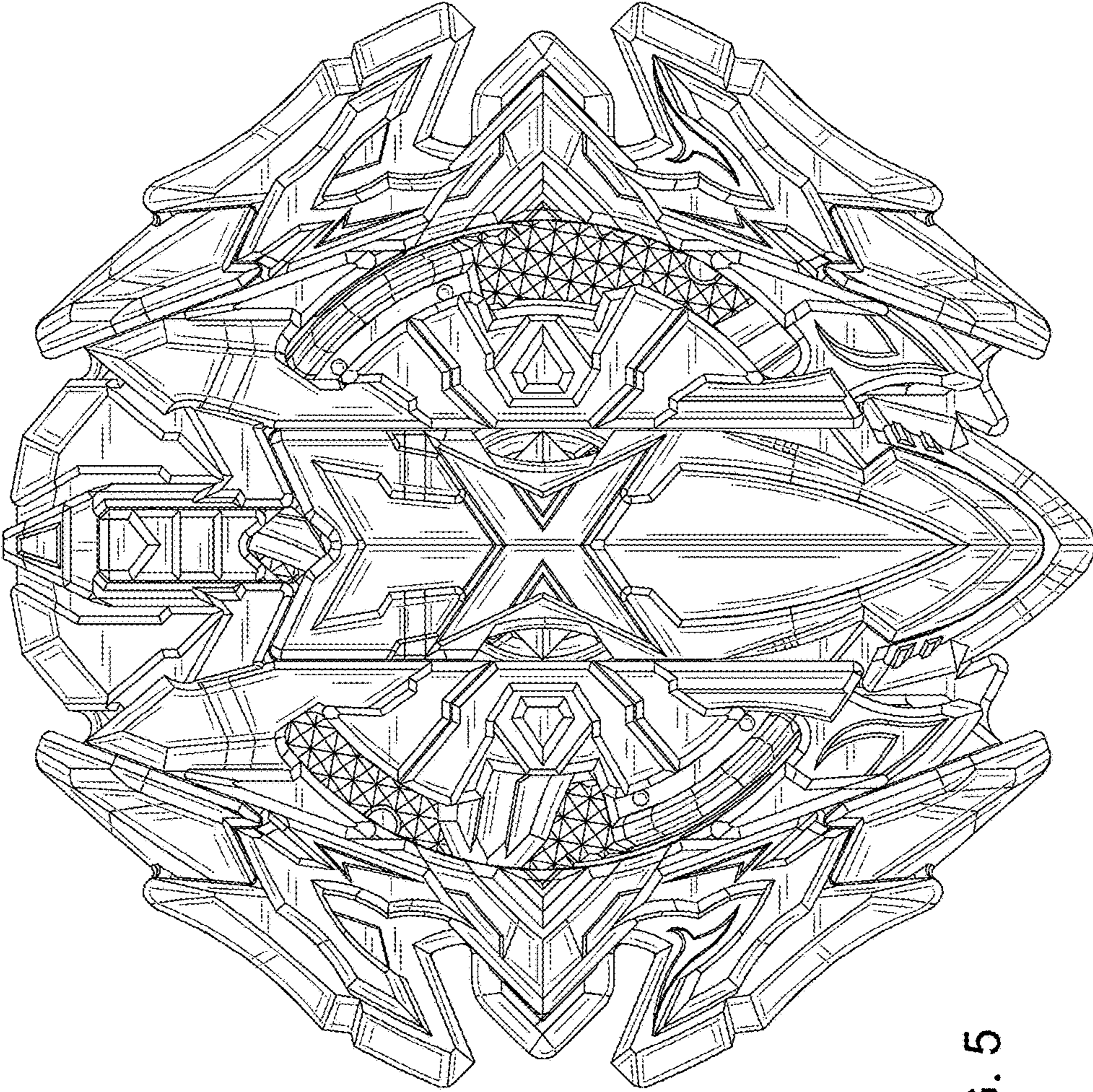


FIG. 5

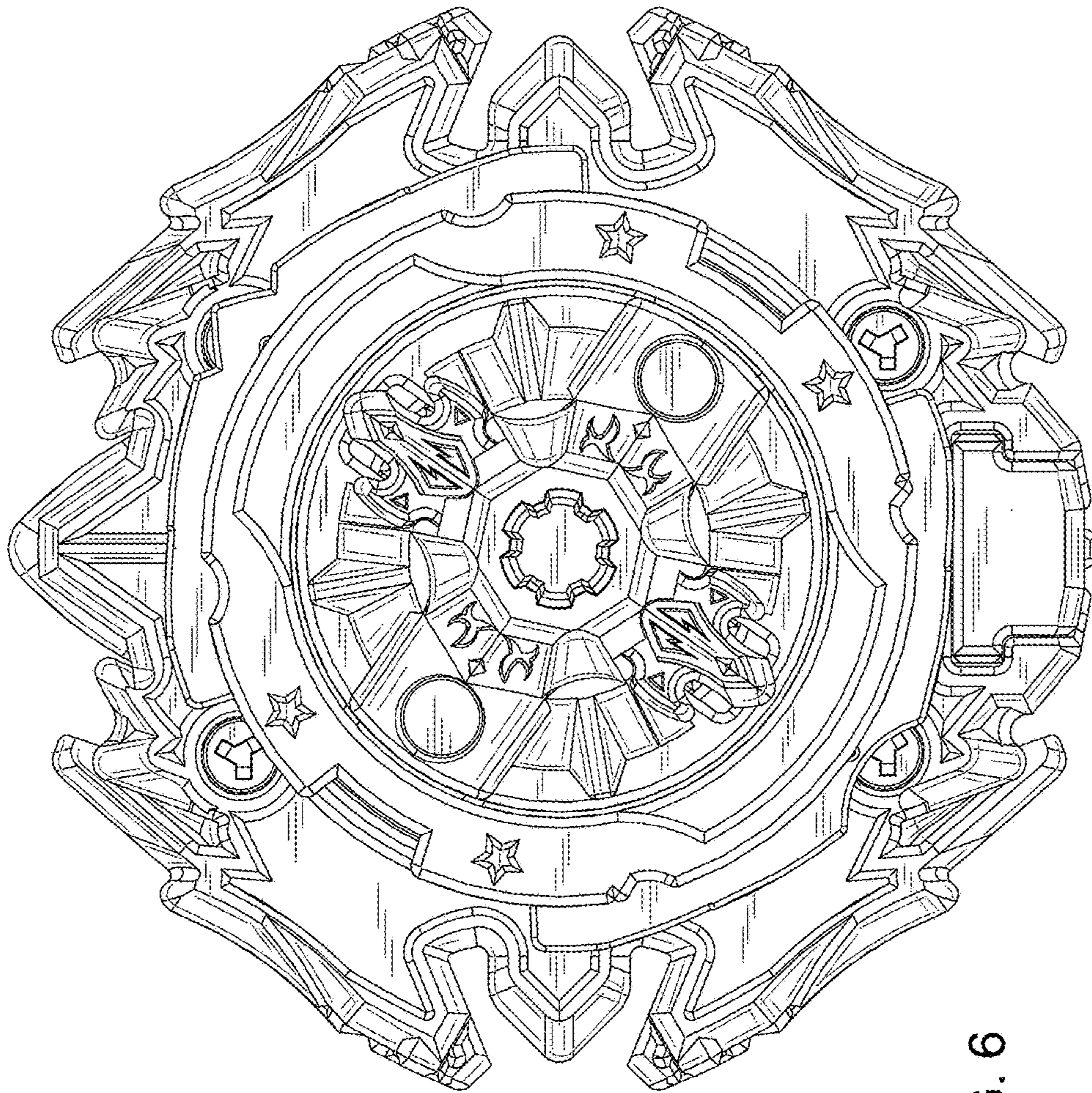


FIG. 6

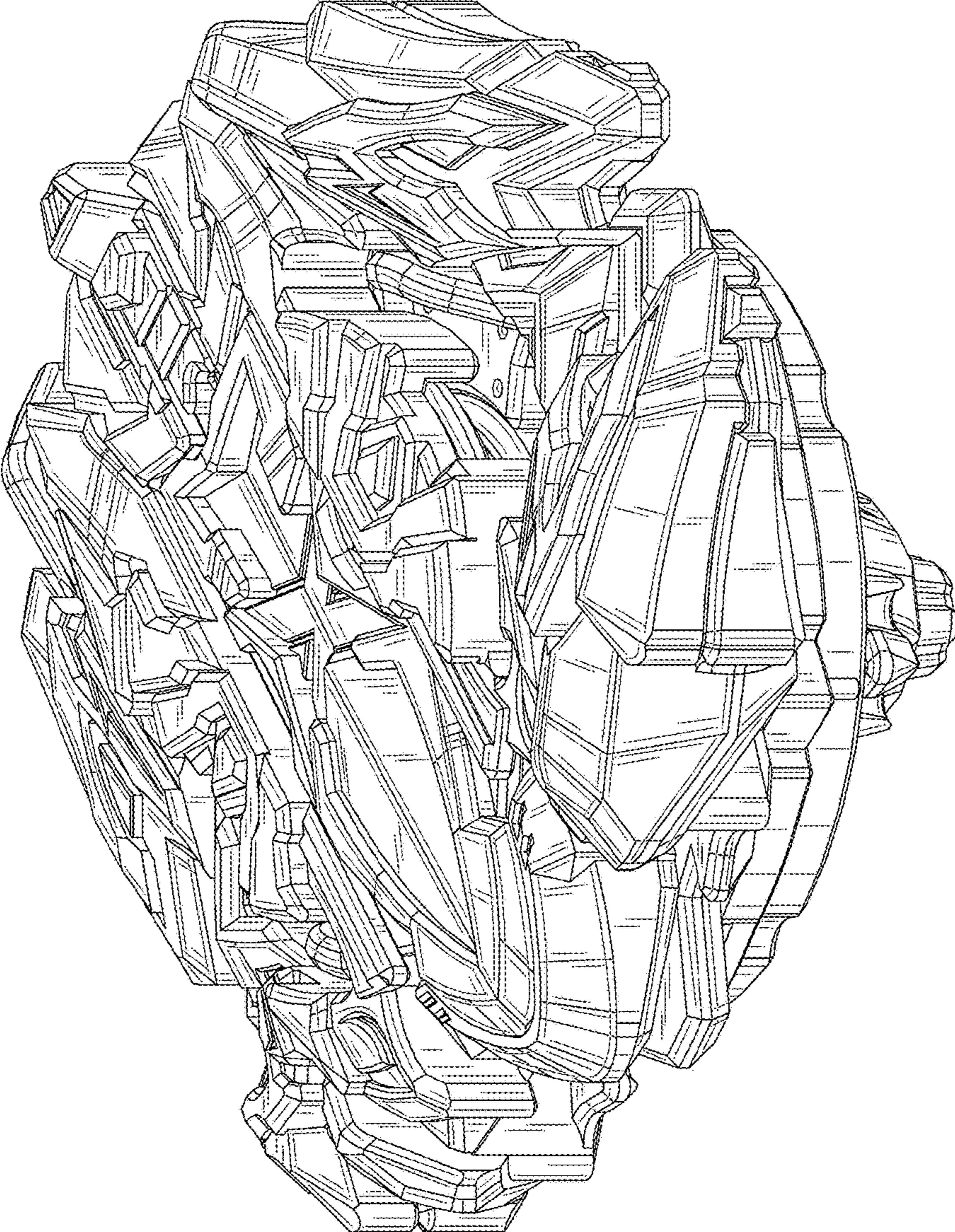


FIG. 7

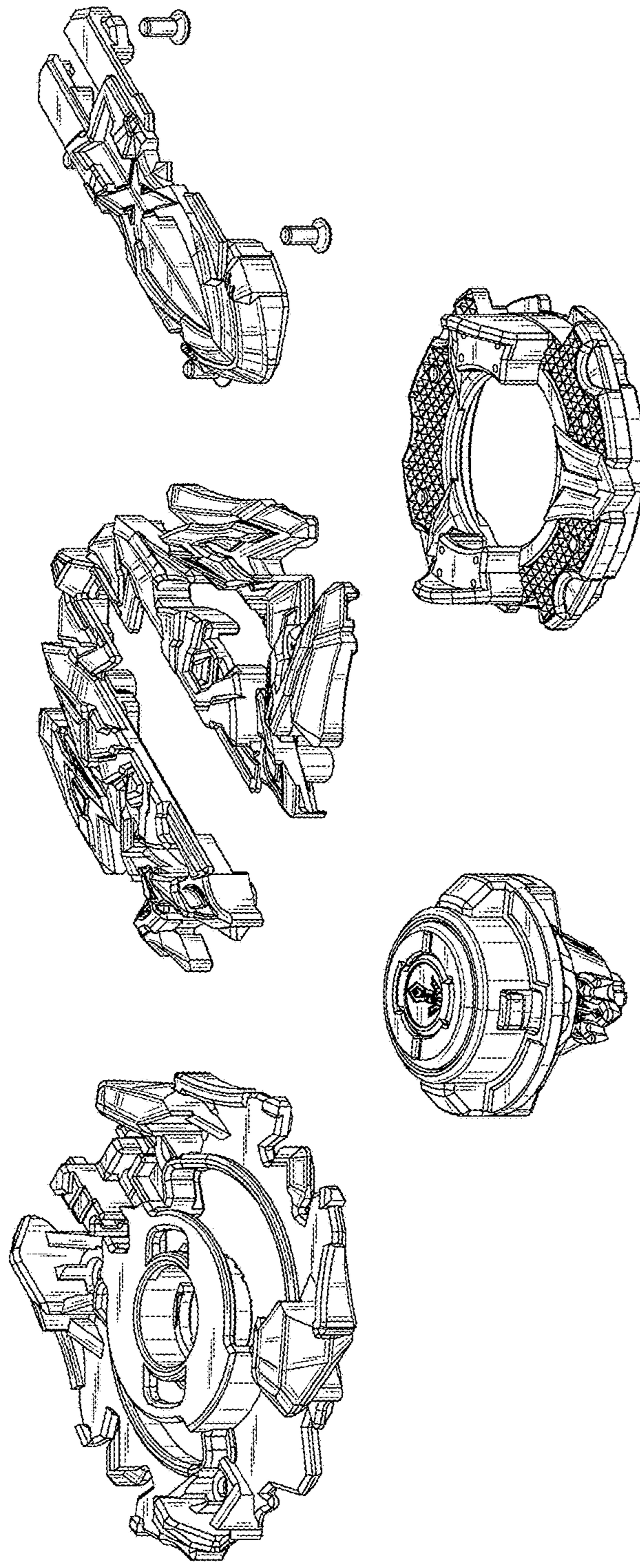


FIG. 8

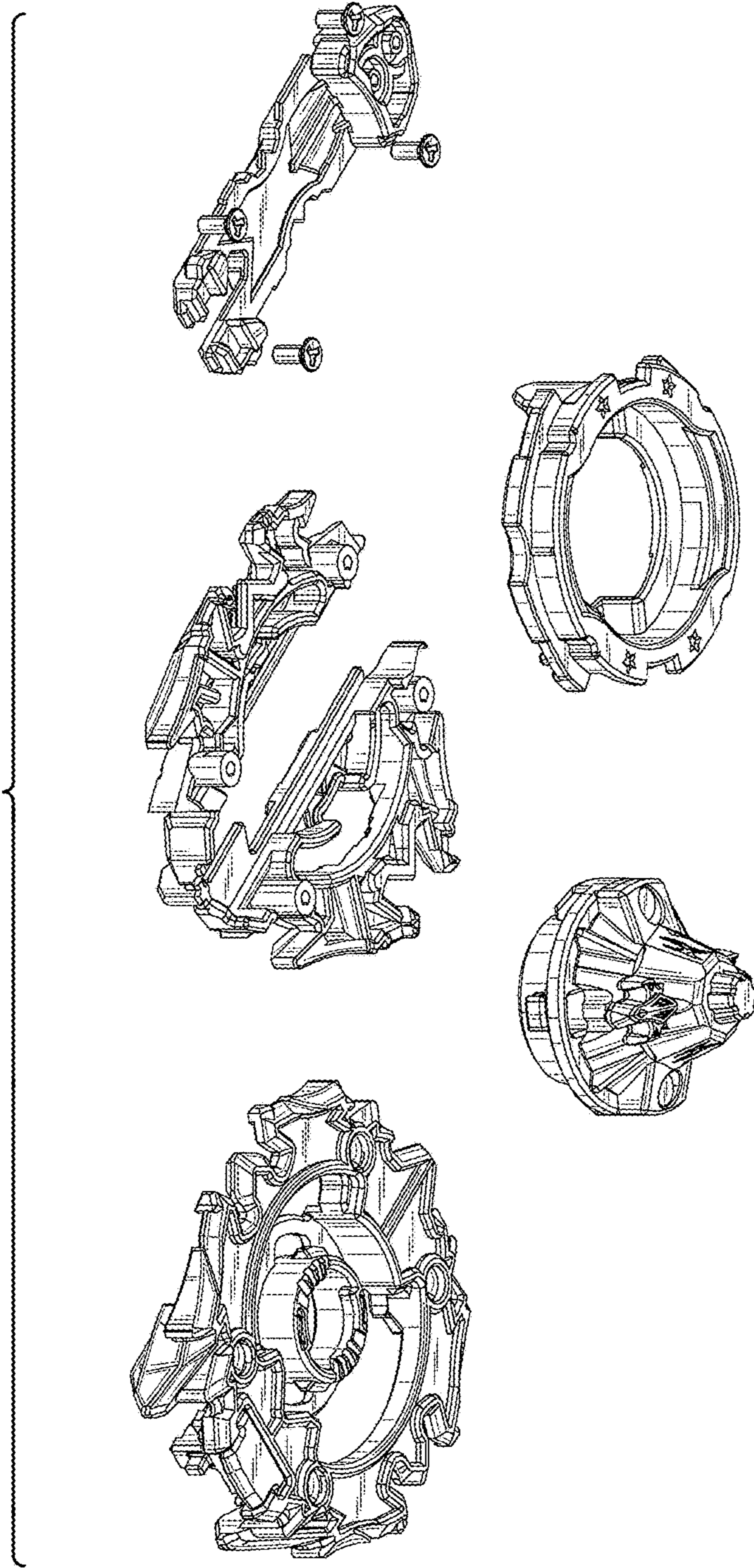


FIG. 9

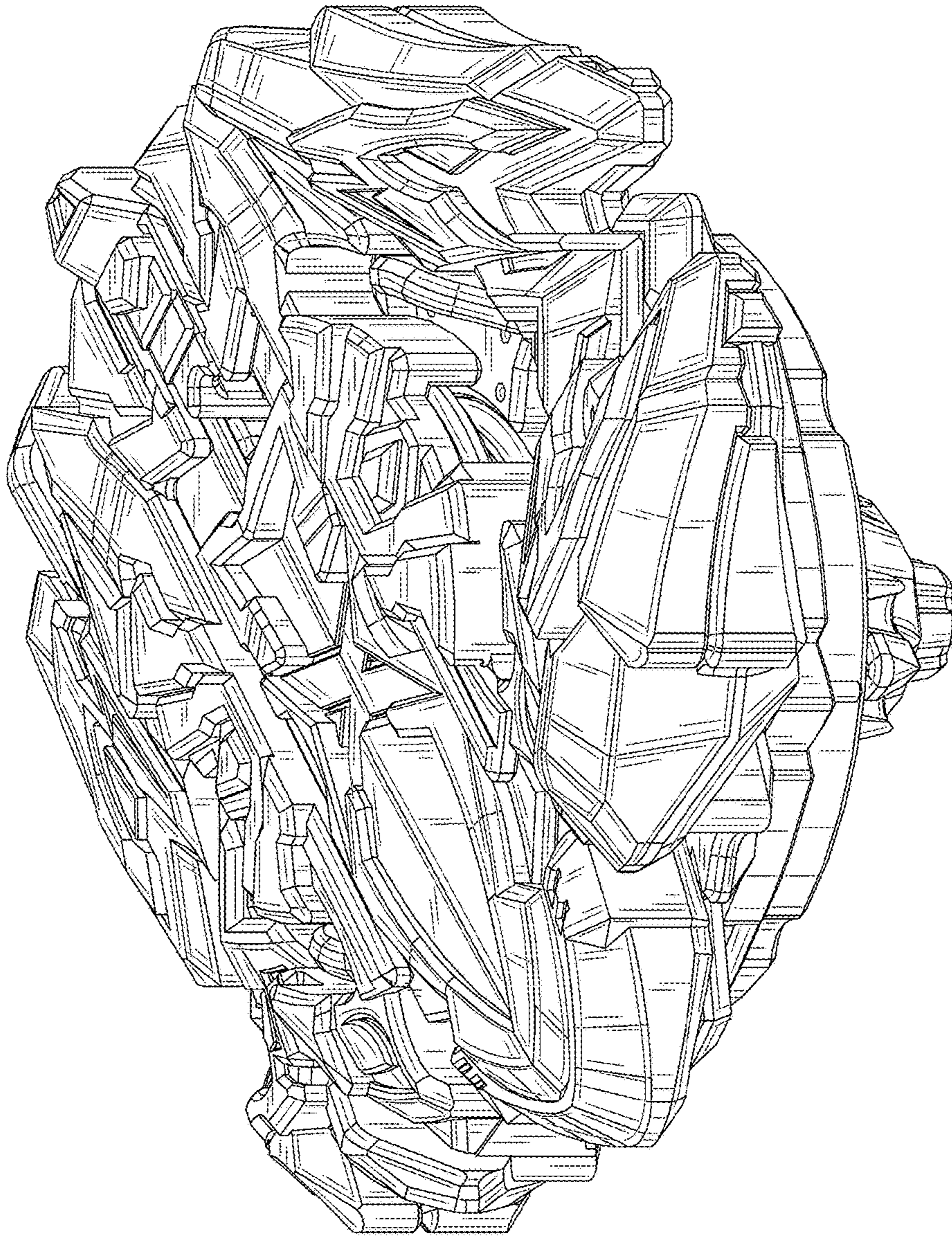


FIG. 10