

US00D862605S

(12) **United States Design Patent** (10) **Patent No.:** **US D862,605 S**  
**Horikoshi et al.** (45) **Date of Patent:** **\*\* Oct. 8, 2019**

(54) **SPINNING TOP TOY**

(71) Applicant: **TOMY COMPANY, LTD.**, Tokyo (JP)

(72) Inventors: **Kenji Horikoshi**, Tokyo (JP); **Hiroyuki Matsukawa**, Tokyo (JP)

(73) Assignee: **TOMY COMPANY, LTD.**, Tokyo (JP)

(\*\*) Term: **15 Years**

(21) Appl. No.: **29/654,331**

(22) Filed: **Jun. 22, 2018**

(30) **Foreign Application Priority Data**

Feb. 23, 2018 (JP) ..... 2018-003780

(51) **LOC (12) Cl.** ..... **21-01**

(52) **U.S. Cl.**  
USPC ..... **D21/460**

(58) **Field of Classification Search**  
USPC ..... D21/455-464; 446/236-266  
CPC ..... A63H 1/00-32  
See application file for complete search history.

(56) **References Cited**

**U.S. PATENT DOCUMENTS**

D608,842 S \* 1/2010 Nishimoto ..... D21/460  
D629,847 S \* 12/2010 Ujita ..... D21/460  
D629,848 S \* 12/2010 Ujita ..... D21/460  
D639,869 S \* 6/2011 Nishimoto ..... D21/460  
D820,919 S \* 6/2018 Horikoshi ..... D21/460  
D825,007 S \* 8/2018 Muraki ..... D21/460  
D825,671 S \* 8/2018 Horikoshi ..... D21/460  
D825,673 S \* 8/2018 Matsukawa ..... D21/460  
D827,044 S \* 8/2018 Horikoshi ..... D21/460  
10,118,103 B2 \* 11/2018 Muraki ..... A63H 1/04

D841,098 S \* 2/2019 Narita ..... D21/460  
D846,034 S \* 4/2019 Horikawa ..... D21/460  
2003/0064660 A1 \* 4/2003 Matsukawa ..... A63F 3/00895  
446/256

**FOREIGN PATENT DOCUMENTS**

CN 302044656 \* 8/2012  
CN 302143915 \* 10/2012  
CN 302681727 \* 12/2013  
CN 302949876 \* 9/2014  
EM 003047489-0008 \* 4/2016  
EM 003770668-0003 \* 5/2017  
JP 303467759 \* 11/2015  
JP D1549756 \* 5/2016  
JP 6111365 B1 \* 4/2017 ..... A63H 1/02  
JP 6258541 B1 \* 1/2018 ..... A63H 1/04  
WO D096881-001 \* 12/2017

\* cited by examiner

*Primary Examiner* — Catherine A Tuttle  
(74) *Attorney, Agent, or Firm* — Oliff PLC

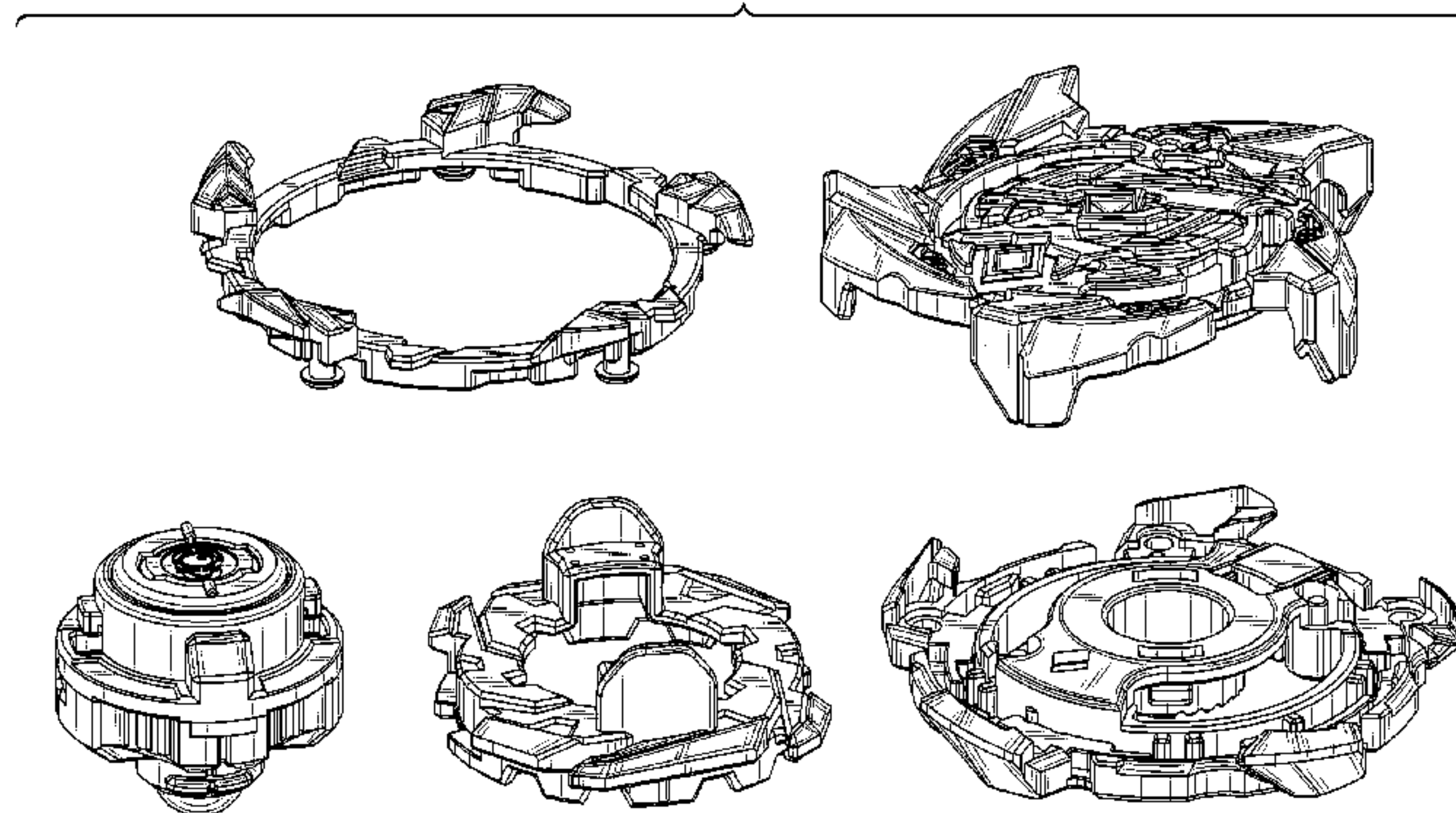
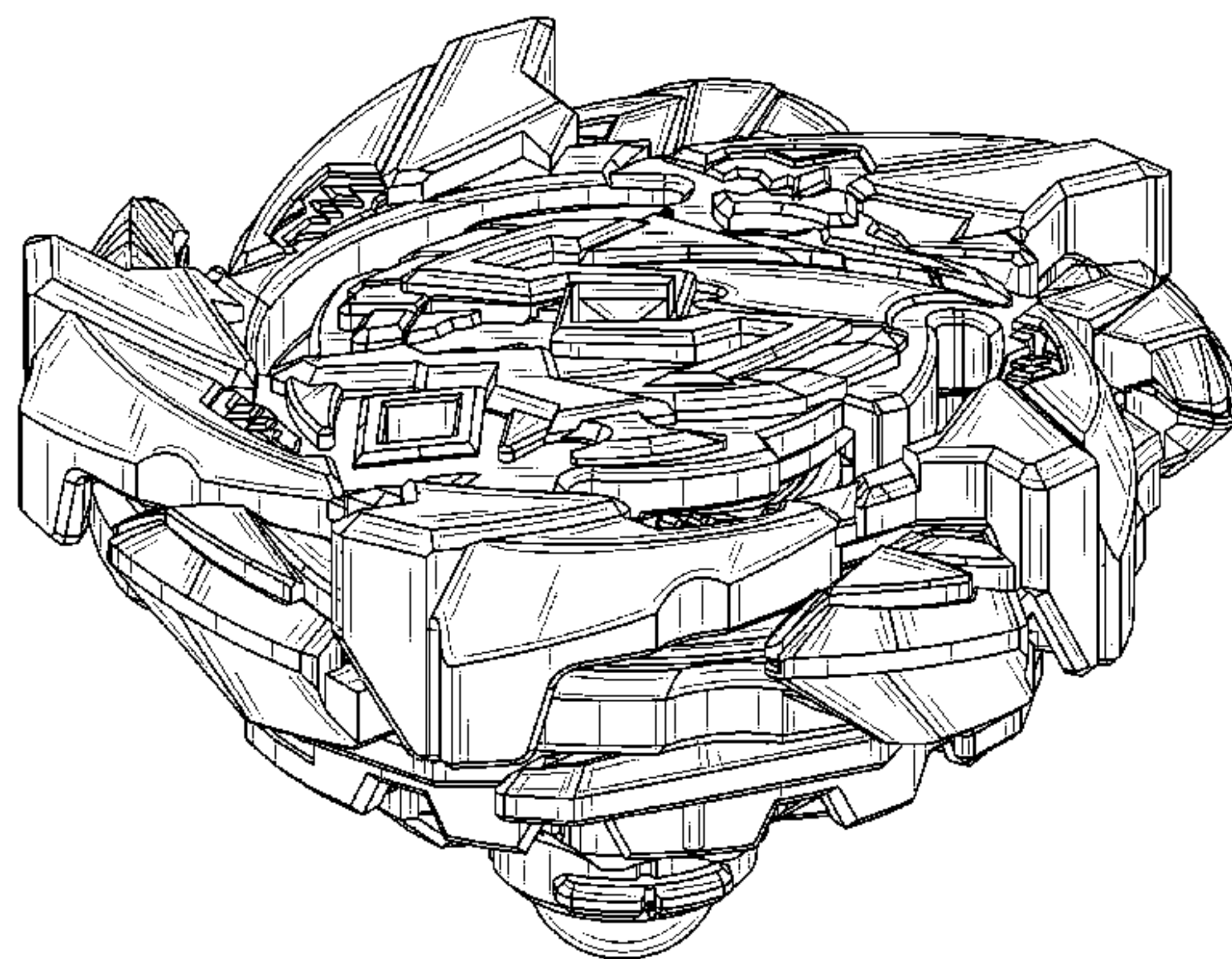
(57) **CLAIM**

The ornamental design for a spinning top toy, as shown and described.

**DESCRIPTION**

FIG. 1 is a front elevational view of the spinning top toy;  
FIG. 2 is a left-side elevational view thereof;  
FIG. 3 is a rear elevational view thereof;  
FIG. 4 is a right-side elevational view thereof;  
FIG. 5 is a top plan view thereof;  
FIG. 6 is a bottom plan view thereof;  
FIG. 7 is a front, top, right-side perspective view thereof;  
FIG. 8 is a disassembled front, top and side perspective view thereof; and,  
FIG. 9 is a disassembled rear, bottom and side perspective view thereof.

**1 Claim, 9 Drawing Sheets**



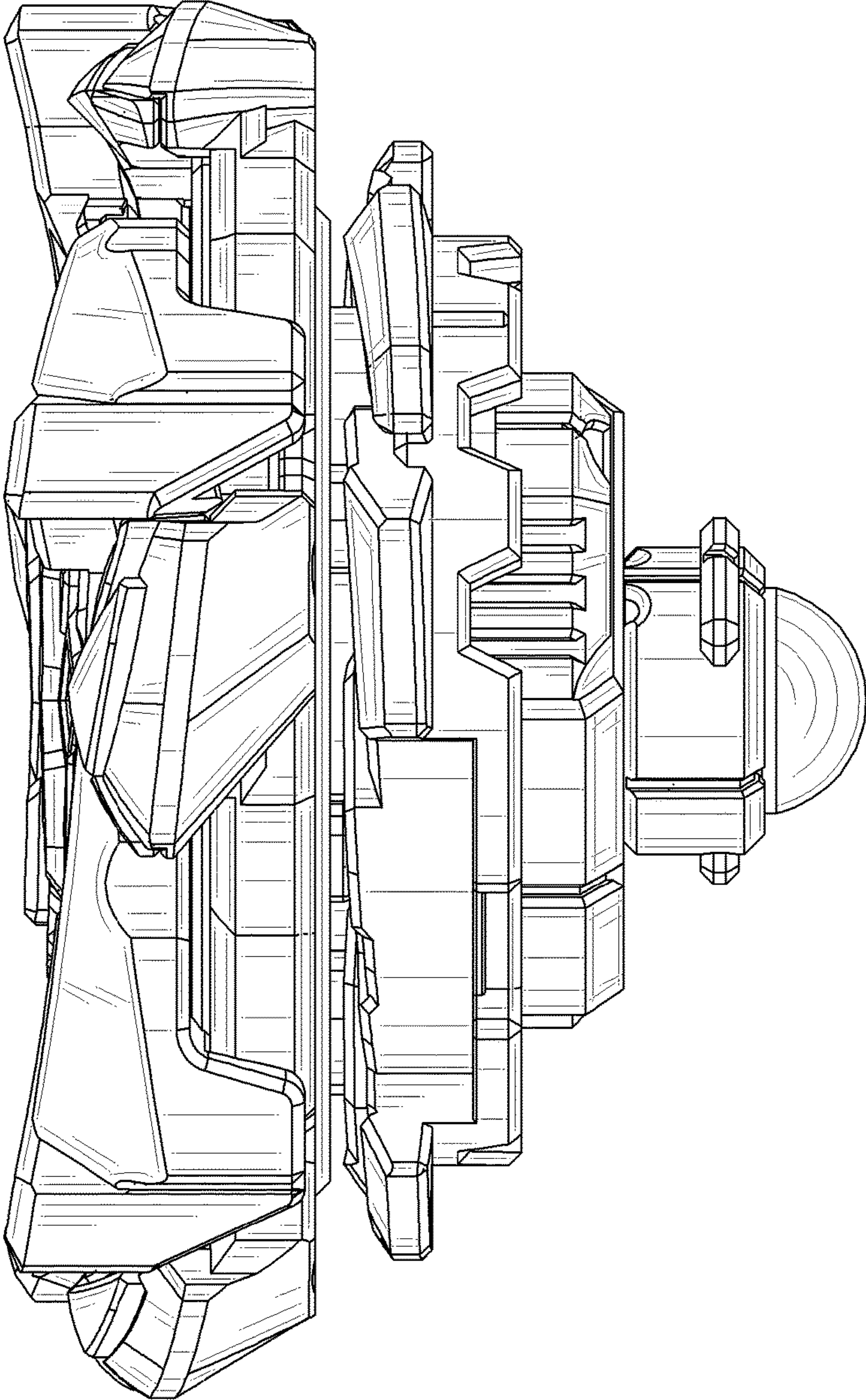


FIG. 1



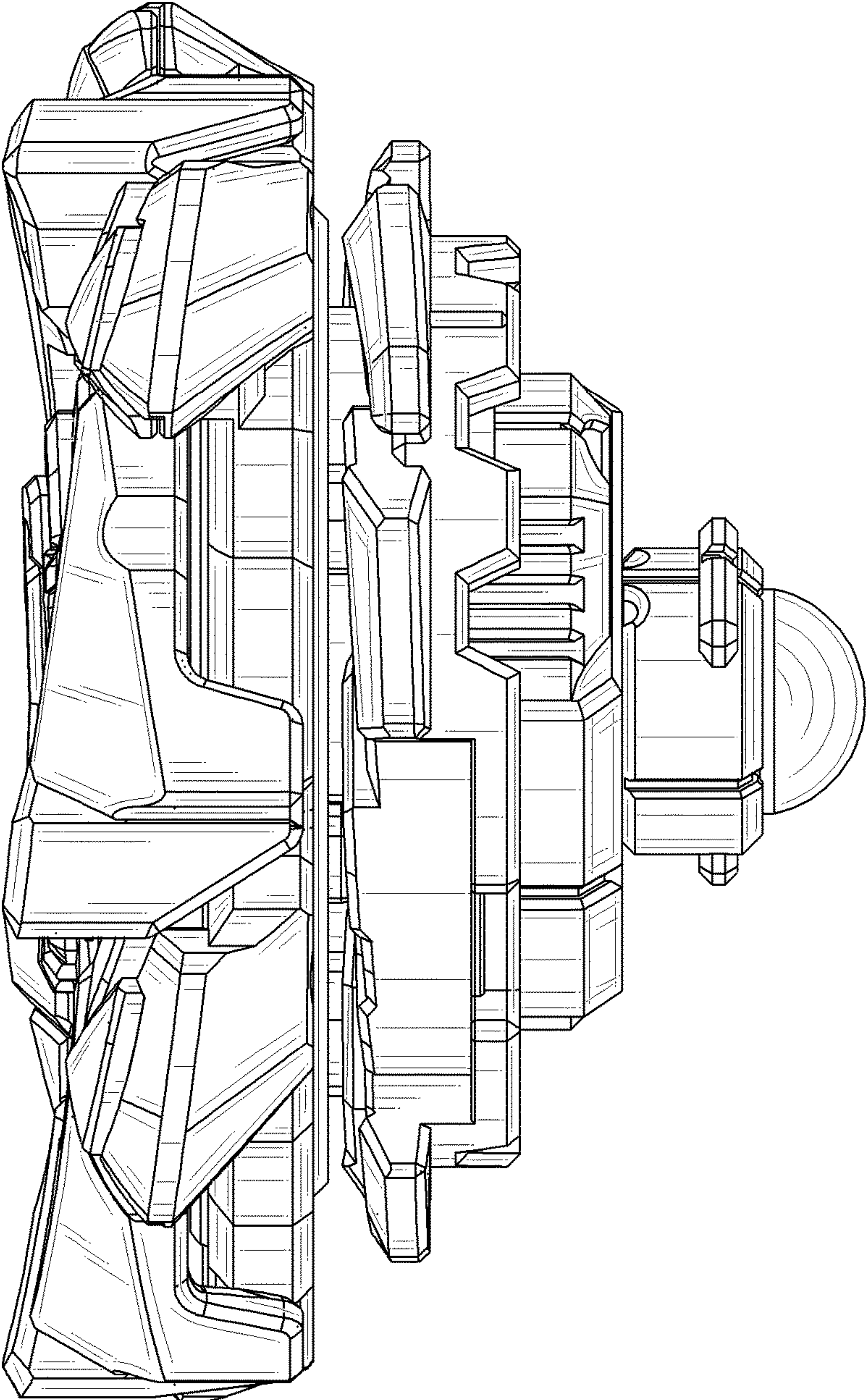


FIG. 2

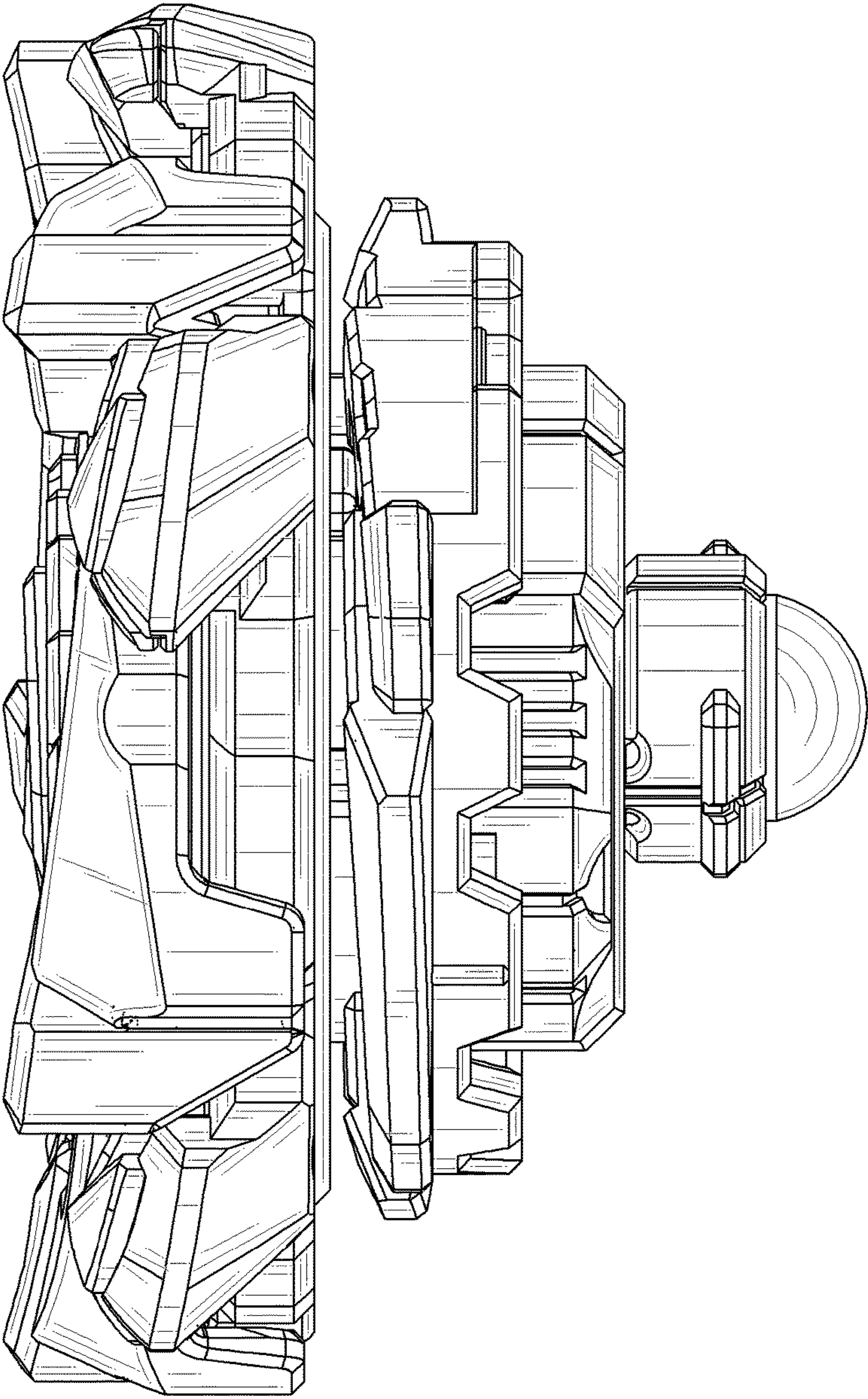


FIG. 3

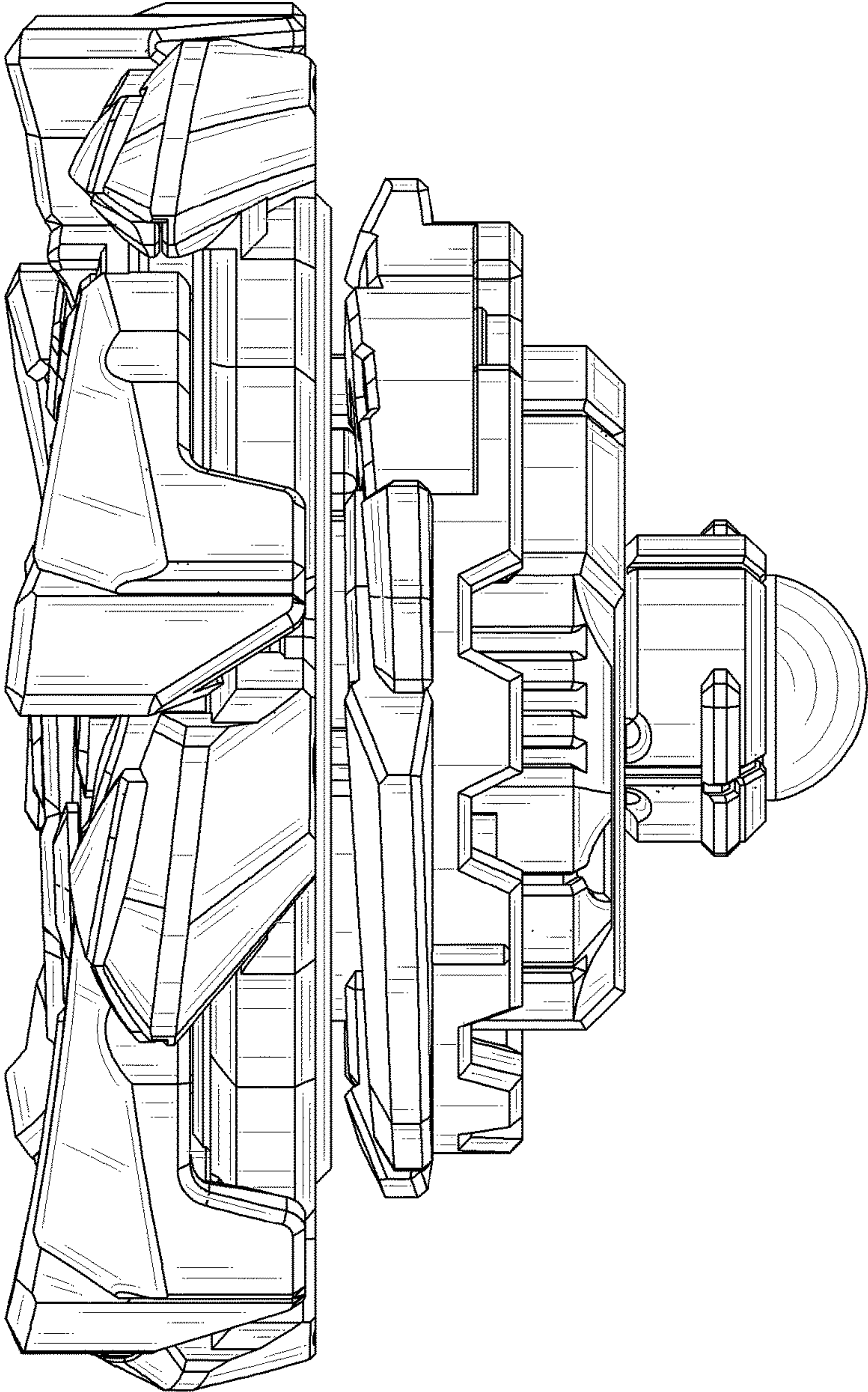


FIG. 4



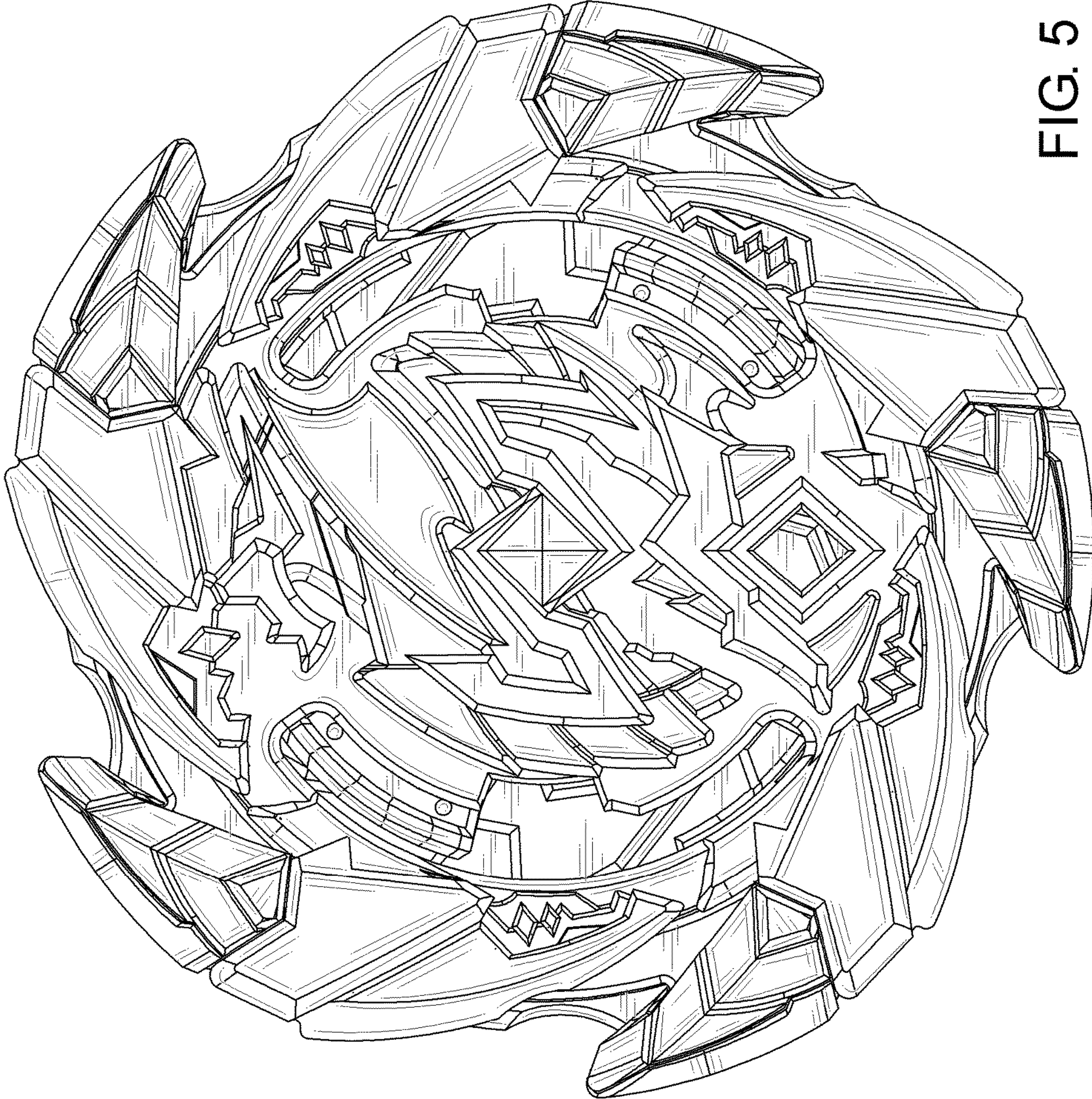


FIG. 5



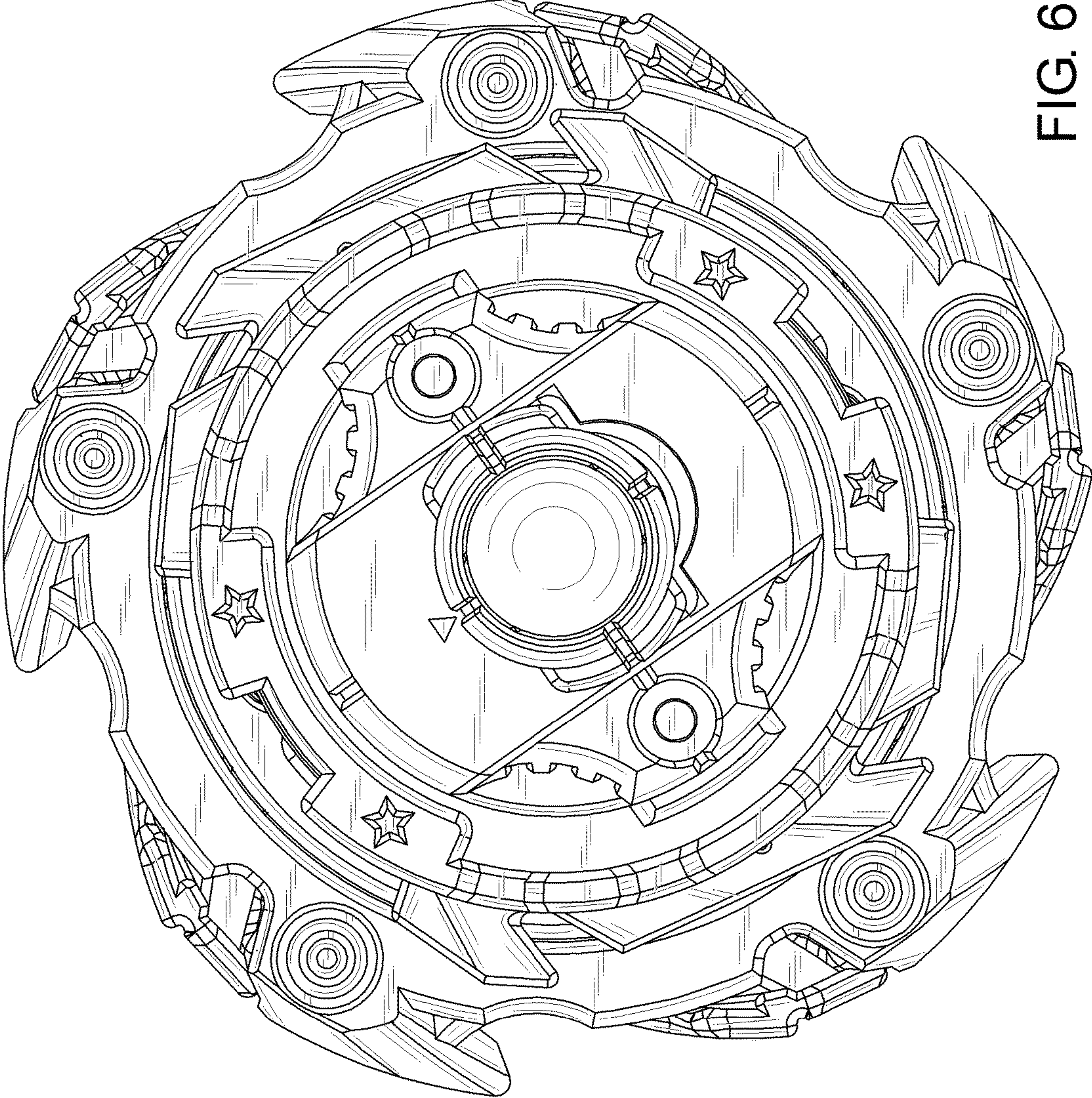


FIG. 6



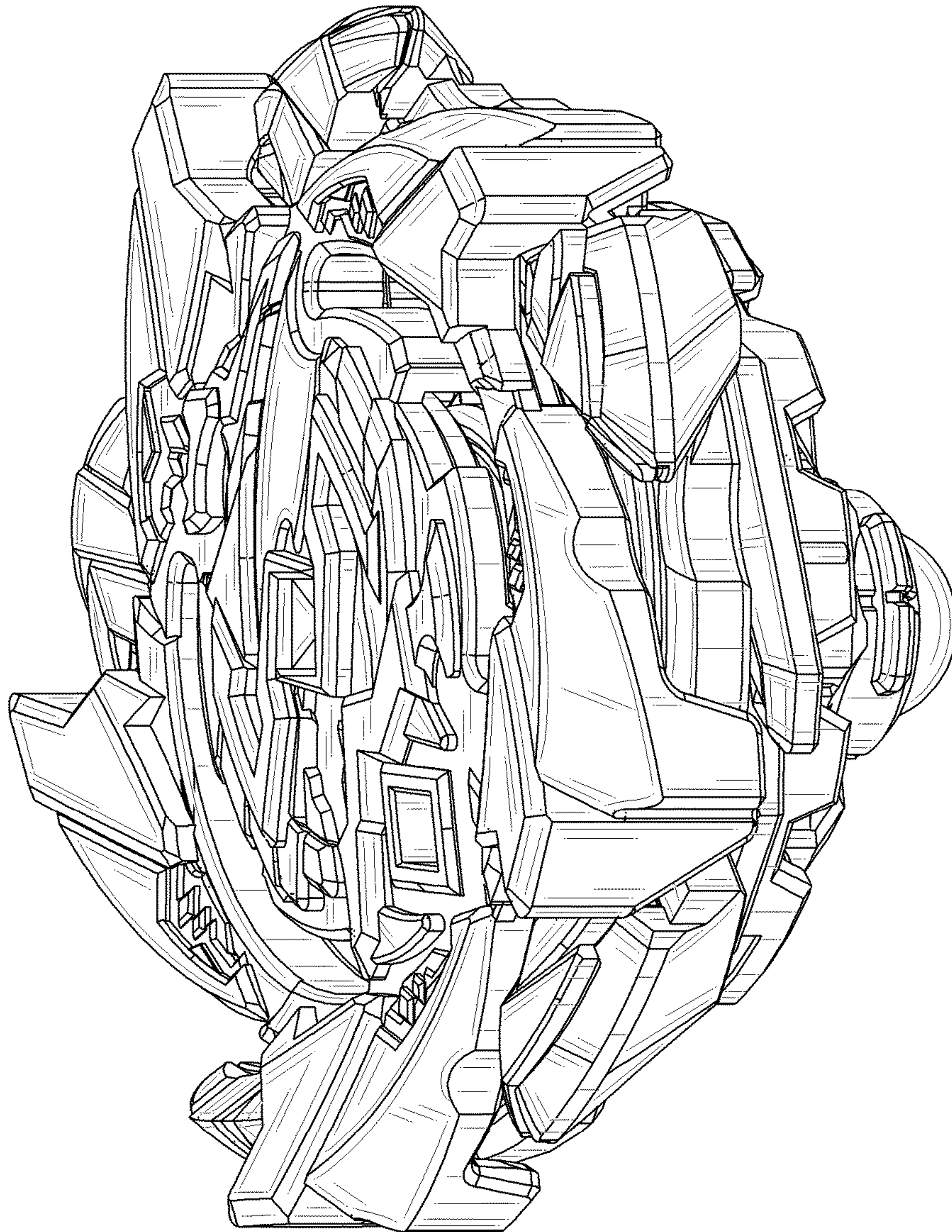
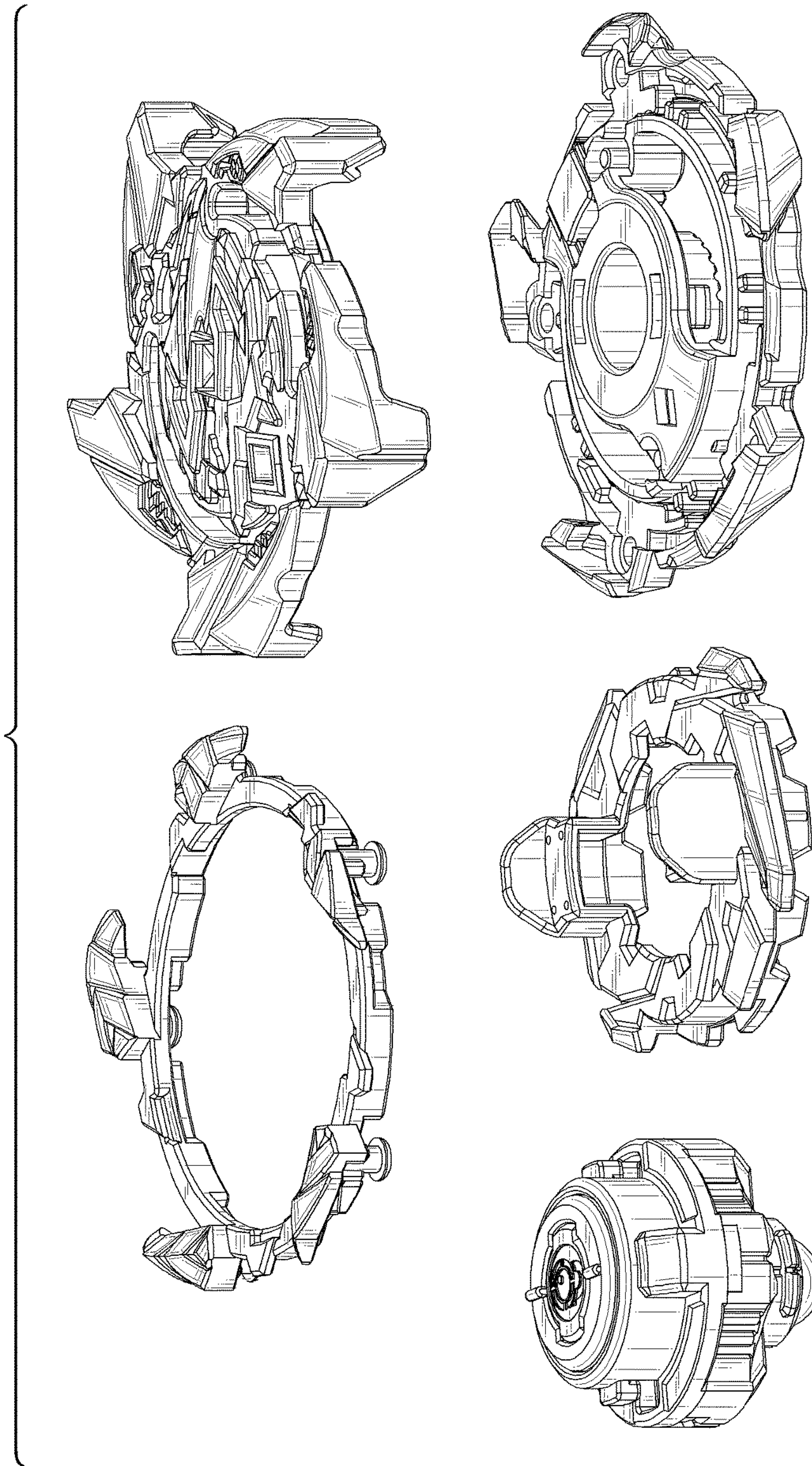


FIG. 7







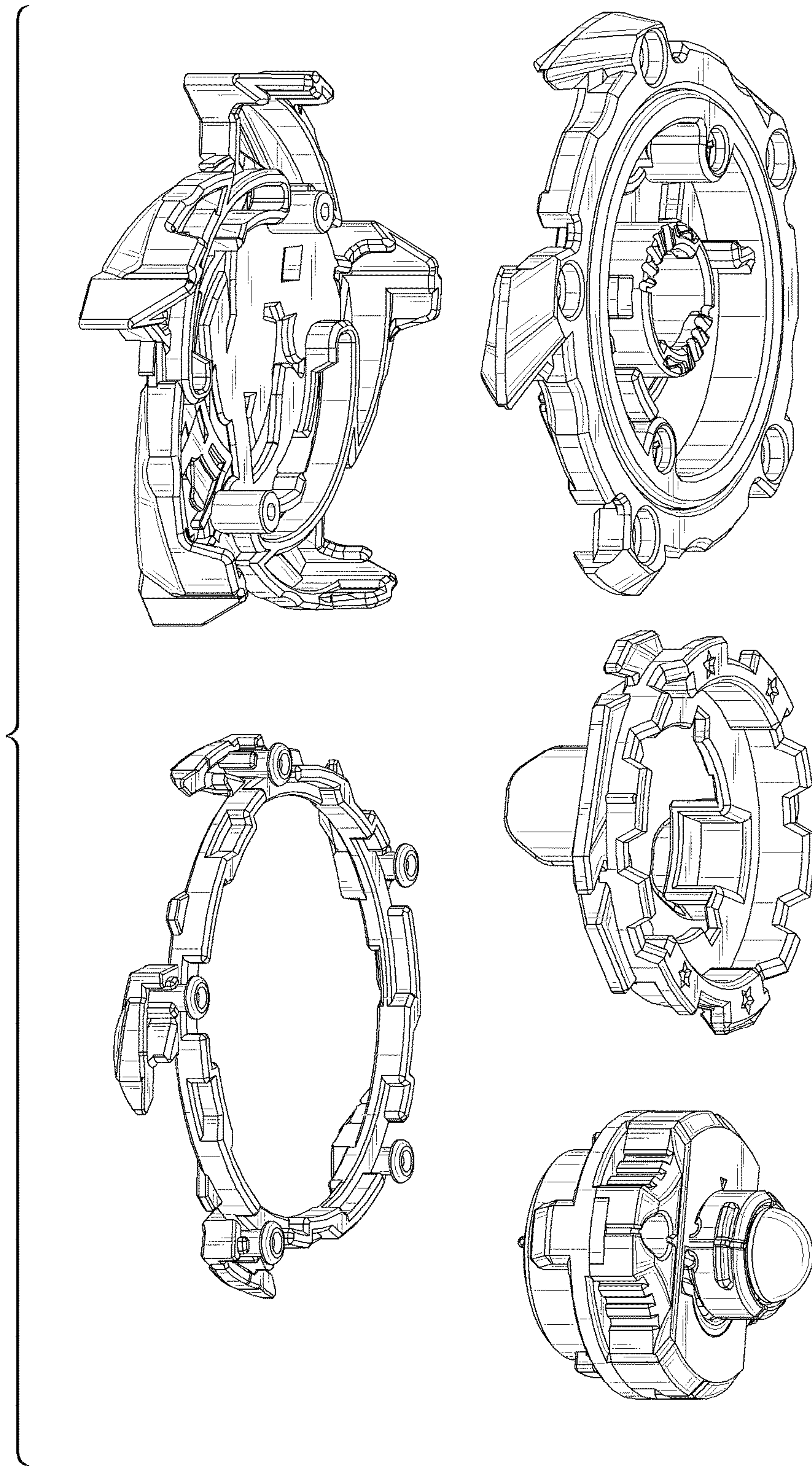


FIG. 9