



US00D862600S

(12) **United States Design Patent**  
**Helmich**

(10) **Patent No.:** **US D862,600 S**  
(45) **Date of Patent:** **\*\* Oct. 8, 2019**

- (54) **CARD HOLDER**
- (71) Applicant: **Jeremy T. Helmich**, Jacksonville, IL (US)
- (72) Inventor: **Jeremy T. Helmich**, Jacksonville, IL (US)
- (\*\*) Term: **15 Years**
- (21) Appl. No.: **29/575,160**
- (22) Filed: **Aug. 23, 2016**
- (51) **LOC (12) Cl.** ..... **20-03**
- (52) **U.S. Cl.**  
USPC ..... **D20/43**
- (58) **Field of Classification Search**  
USPC ..... D20/10, 11, 22-29, 35, 39, 40-43, 99  
CPC ..... G09F 1/00; G09F 1/02; G09F 2003/023;  
G09F 2003/0261; G09F 2003/0264; G09F  
7/00; G09F 3/206; G09F 13/00; G09F  
2007/1807; G09F 13/04; G09F  
2013/0427; G09F 2013/0495; G09F 1/10;  
G09F 1/12; G09F 2001/10; G09F 3/18;  
G09F 3/20; G09F 3/202; G09F 15/0012;  
G09D 3/00; G06F 17/50; G06F 3/0481;  
H04N 1/00424  
See application file for complete search history.

- D742,969 S \* 11/2015 White ..... D20/43
- 9,192,243 B2 \* 11/2015 Slaughter ..... A47C 21/003
- D755,896 S \* 5/2016 Williams ..... D20/43
- D765,786 S \* 9/2016 Clark ..... D20/43
- D777,840 S \* 1/2017 Kott ..... D20/43
- D777,841 S \* 1/2017 Kott ..... D20/43
- D778,365 S \* 2/2017 Kott ..... D20/43
- D778,366 S \* 2/2017 Kott ..... D20/43
- D778,367 S \* 2/2017 Kott ..... D20/43
- D787,601 S \* 5/2017 Kott ..... D20/43
- D794,122 S \* 8/2017 Costas ..... D19/86
- D794,124 S \* 8/2017 Costas ..... D19/86
- D796,579 S \* 9/2017 Souhala ..... D20/43

\* cited by examiner

*Primary Examiner* — Mary Ann Calabrese  
(74) *Attorney, Agent, or Firm* — Mitchell Law PLLC;  
Matthew W. Mitchell

(57) **CLAIM**

The ornamental design for a card holder, as shown and described.

**DESCRIPTION**

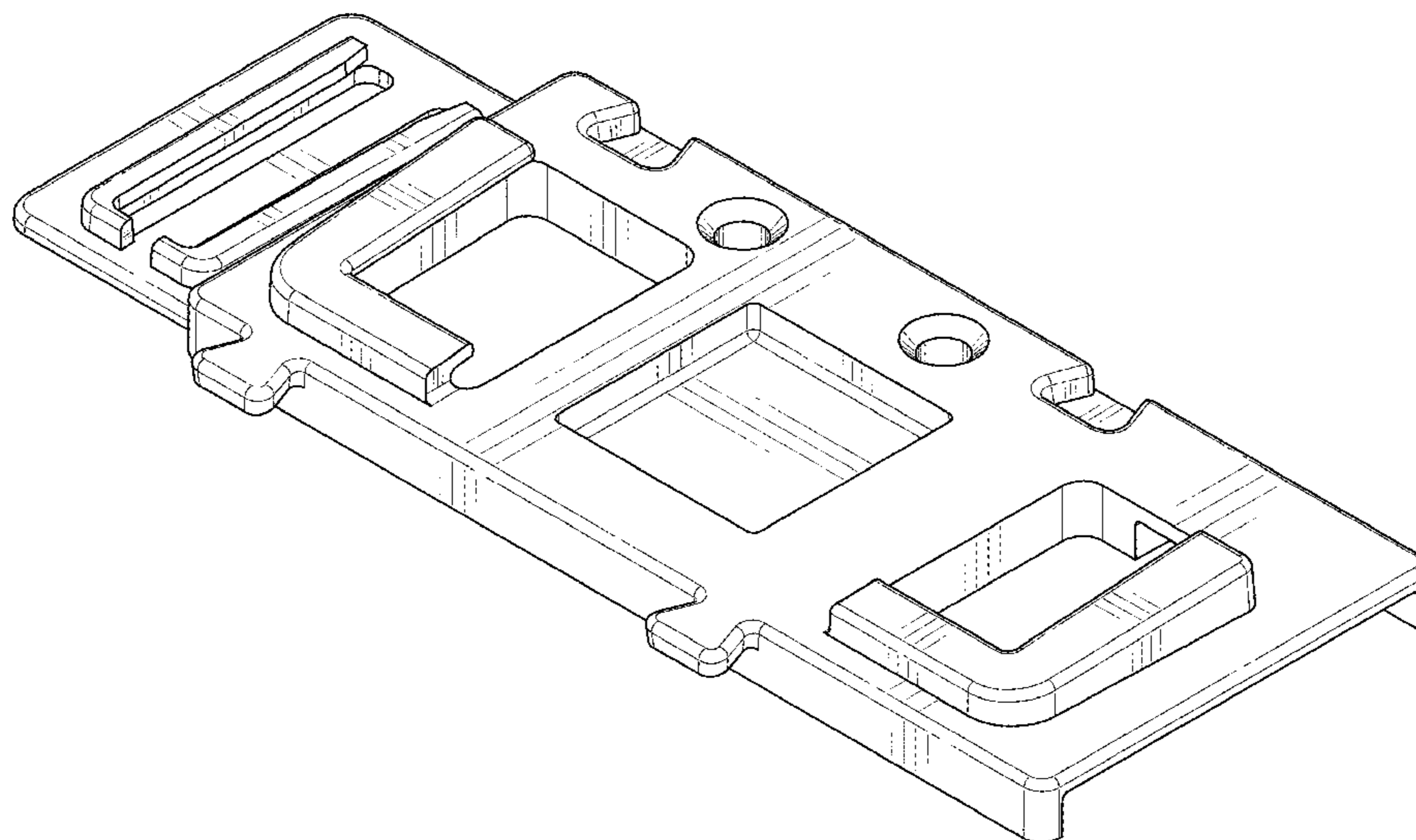
FIG. 1 is a front isometric view of the card holder of the present invention;  
FIG. 2 is a front view thereof;  
FIG. 3 is a side view thereof, as seen from the left side of FIG. 2;  
FIG. 4 is a side view thereof, as seen from the right side of FIG. 2;  
FIG. 5 is a top plan view thereof;  
FIG. 6 is a bottom plan view thereof; and,  
FIG. 7 is a back view thereof.  
The broken lines showing in the views are for the purpose of illustrating unclaimed subject matter only and form no part of the claimed design.

**1 Claim, 6 Drawing Sheets**

(56) **References Cited**

**U.S. PATENT DOCUMENTS**

- D115,418 S \* 6/1939 Meuller ..... D20/10
- D652,453 S \* 1/2012 Tortorella ..... D20/43
- D657,424 S \* 4/2012 Podd ..... D20/42
- D660,913 S \* 5/2012 Podd ..... D20/42
- D662,475 S \* 6/2012 Smith ..... D13/146
- D725,194 S \* 3/2015 Hulth ..... D20/10



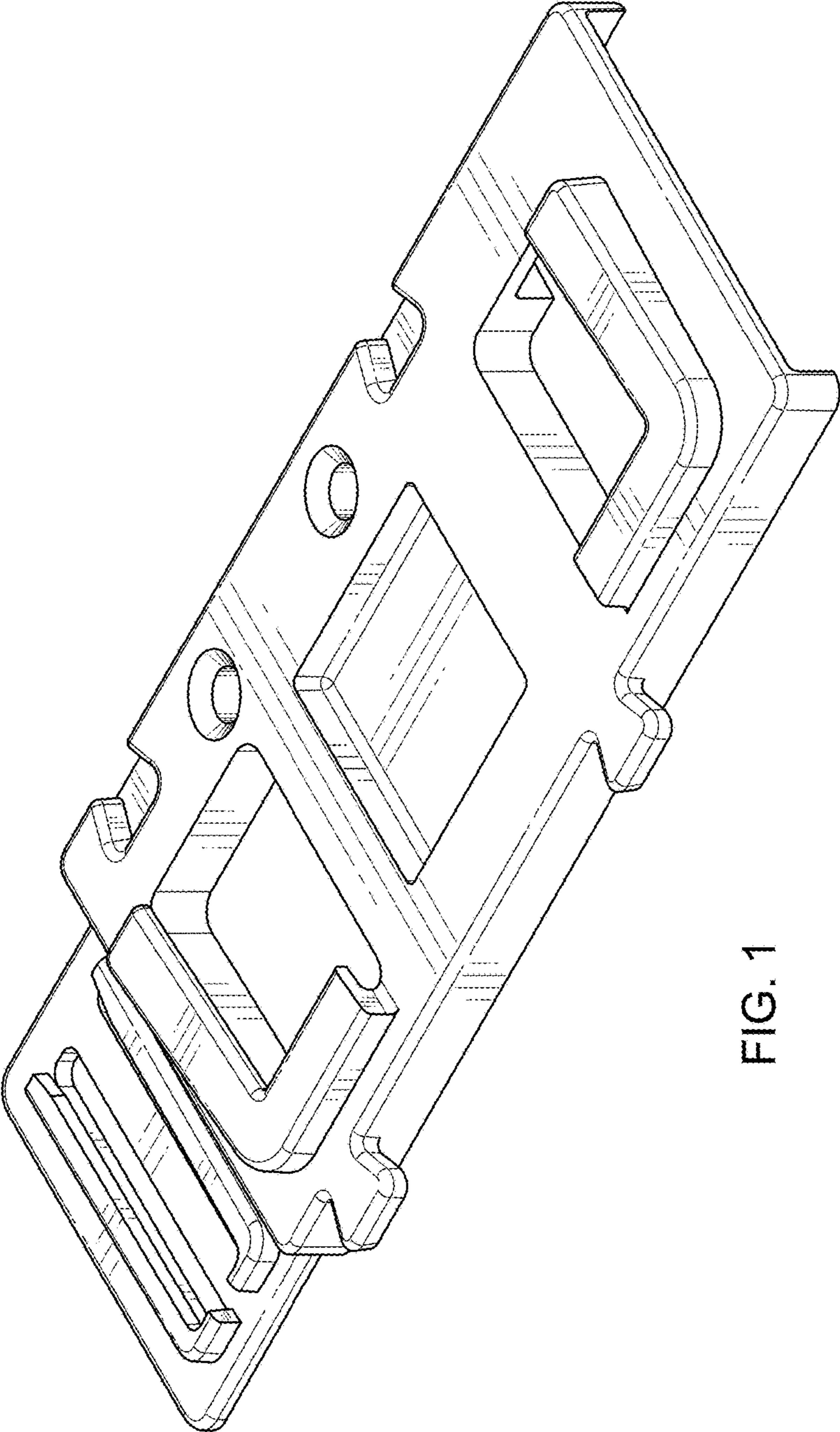


FIG. 1

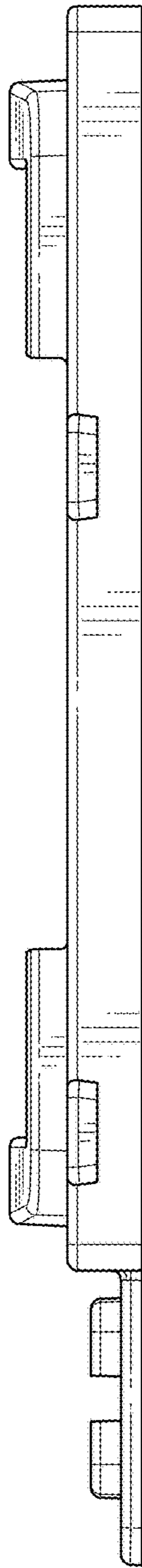


FIG. 2

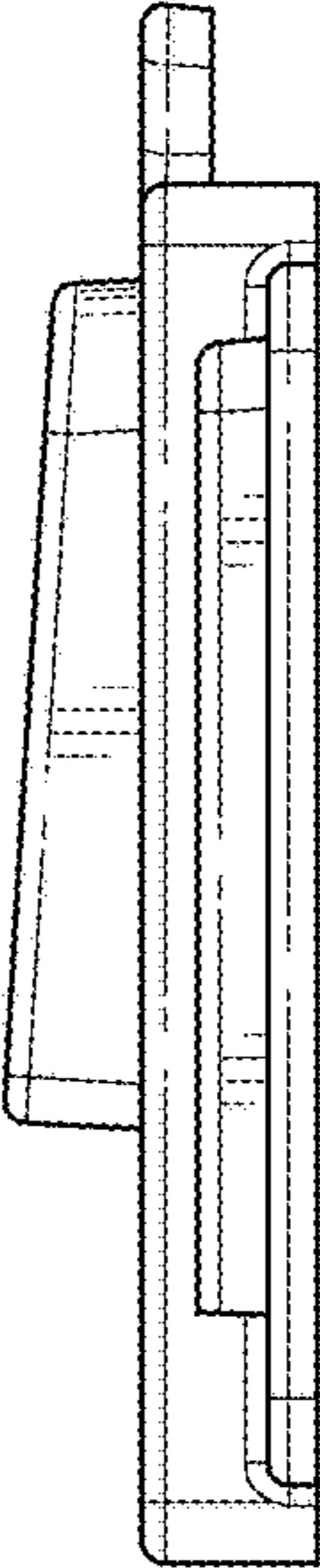


FIG. 3

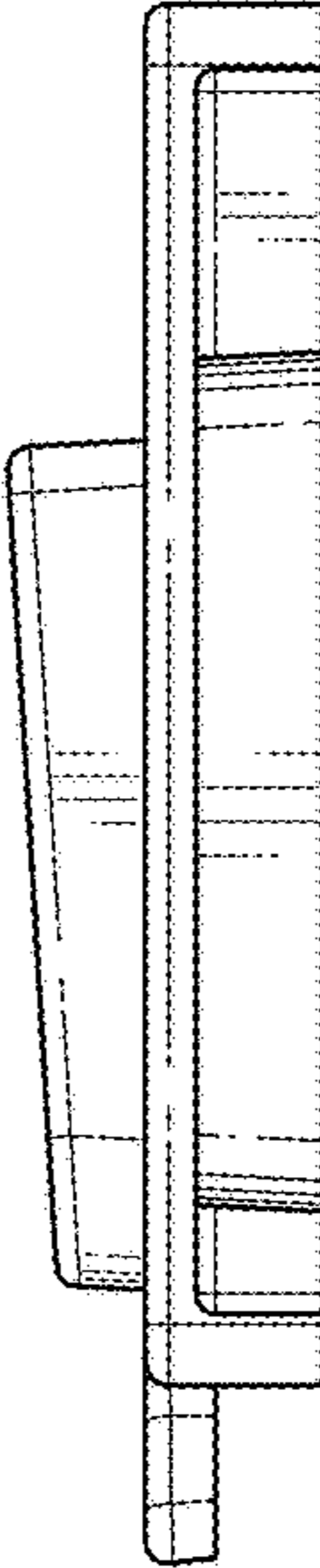


FIG. 4

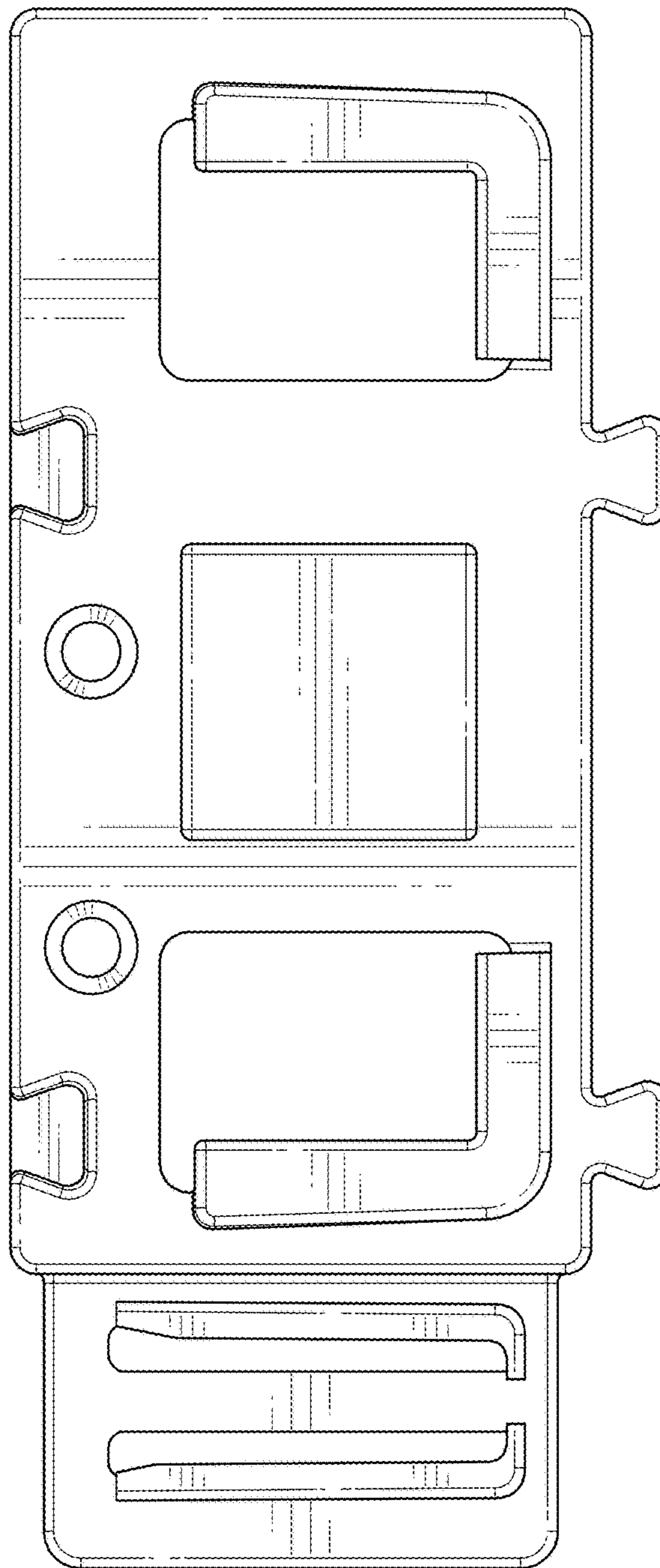


FIG. 5

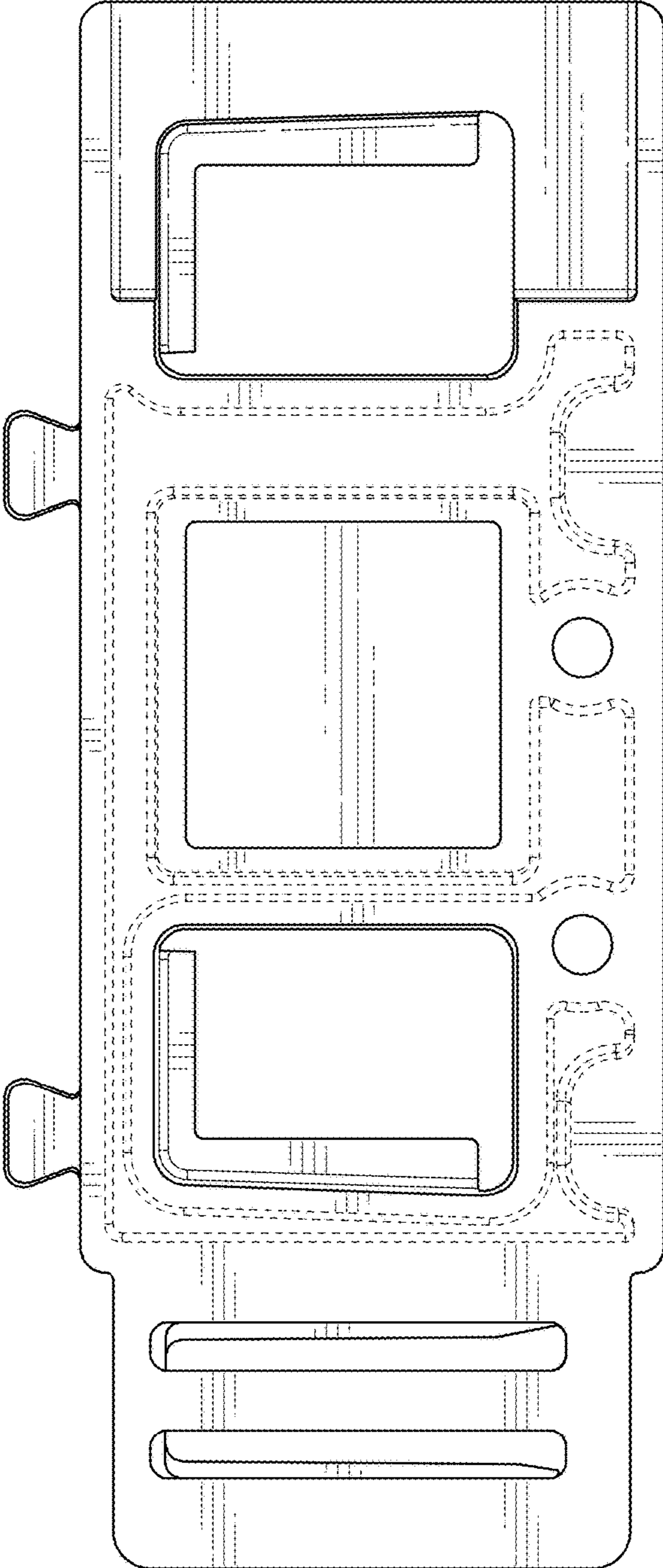


FIG. 6

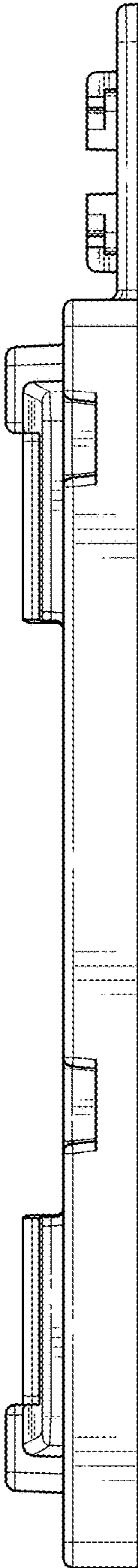


FIG. 7