

US00D862597S

(12) **United States Design Patent** (10) **Patent No.:** **US D862,597 S**  
**Kihl et al.** (45) **Date of Patent:** **\*\* Oct. 8, 2019**

(54) **DIGITAL SIGN**

(56) **References Cited**

(71) Applicant: **LG ELECTRONICS INC.**, Seoul (KR)

U.S. PATENT DOCUMENTS

(72) Inventors: **Hewon Kihl**, Seoul (KR); **Yongho Lee**, Seoul (KR); **Hyeyoung Hong**, Seoul (KR); **Jungyeon Hwang**, Seoul (KR)

|              |         |          |       |         |
|--------------|---------|----------|-------|---------|
| D192,739 S * | 5/1962  | Brenner  | ..... | D20/10  |
| D311,029 S * | 10/1990 | Nielsen  | ..... | D20/10  |
| D526,361 S * | 8/2006  | Yasuoka  | ..... | D20/10  |
| D639,342 S * | 6/2011  | Jedlicka | ..... | D20/10  |
| D639,344 S * | 6/2011  | Jedlicka | ..... | D20/10  |
| D639,345 S * | 6/2011  | Jedlicka | ..... | D20/10  |
| D663,237 S * | 7/2012  | Dunn     | ..... | D11/184 |
| D704,265 S * | 5/2014  | Yan      | ..... | D20/10  |

(73) Assignee: **LG ELECTRONICS INC.**, Seoul (KR)

\* cited by examiner

(\*\*) Term: **15 Years**

*Primary Examiner* — Robert M. Spear

(21) Appl. No.: **35/504,665**

(74) *Attorney, Agent, or Firm* — Birch, Stewart, Kolasch & Birch, LLP

(22) Filed: **Sep. 22, 2017**

(57) **CLAIM**

The ornamental design for a digital sign, as shown and described.

(80) **Hague Agreement Data**

**DESCRIPTION**

Int. Filing Date: **Sep. 22, 2017**  
Int. Reg. No.: **DM/098894**  
Int. Reg. Date: **Sep. 22, 2017**  
Int. Reg. Pub. Date: **Mar. 23, 2018**

- 1. Digital sign
- 1.1 : Perspective
- 1.2 : Front
- 1.3 : Back
- 1.4 : Left
- 1.5 : Right
- 1.6 : Top
- 1.7 : Bottom

(30) **Foreign Application Priority Data**

Mar. 23, 2017 (KR) ..... 30-2017-0013609

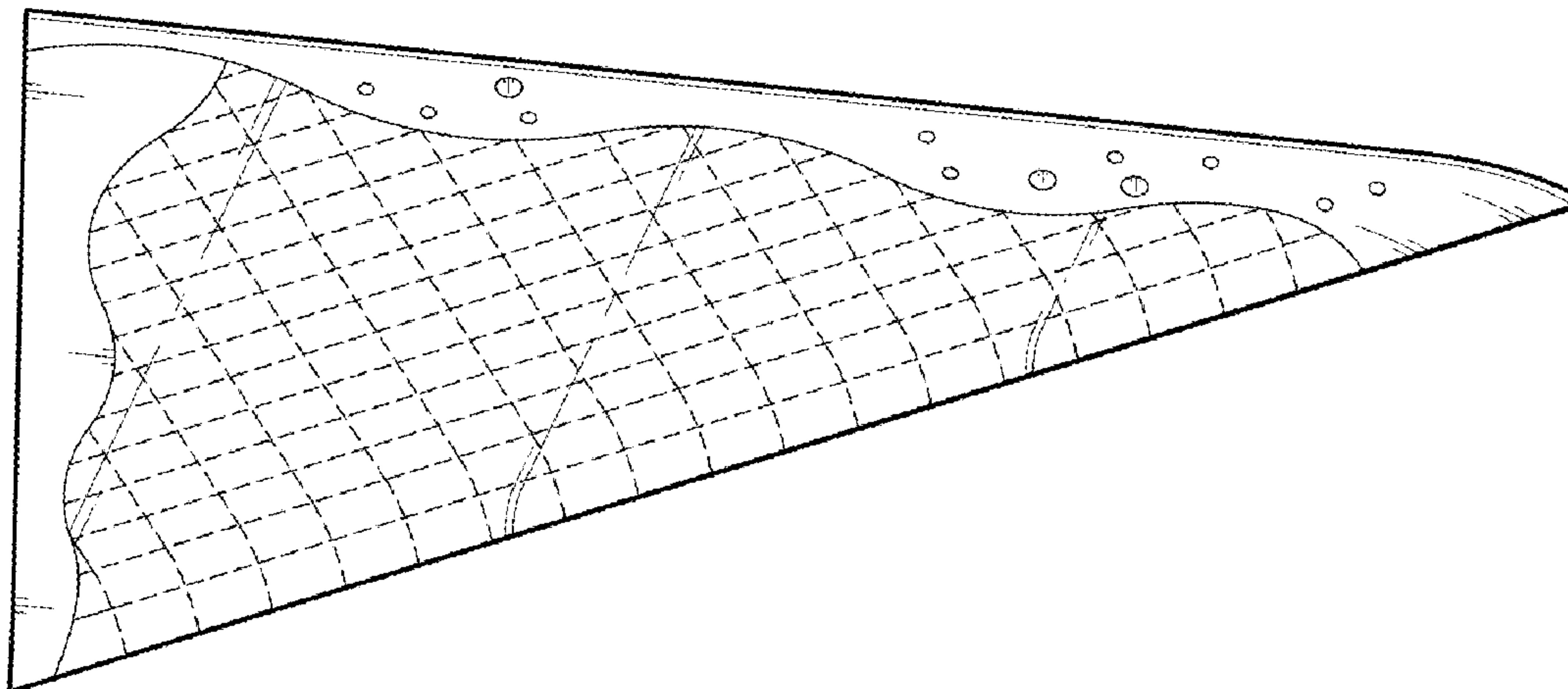
(51) **LOC (12) Cl.** ..... **20-03**

(52) **U.S. Cl.**  
USPC ..... **D20/10; D20/19**

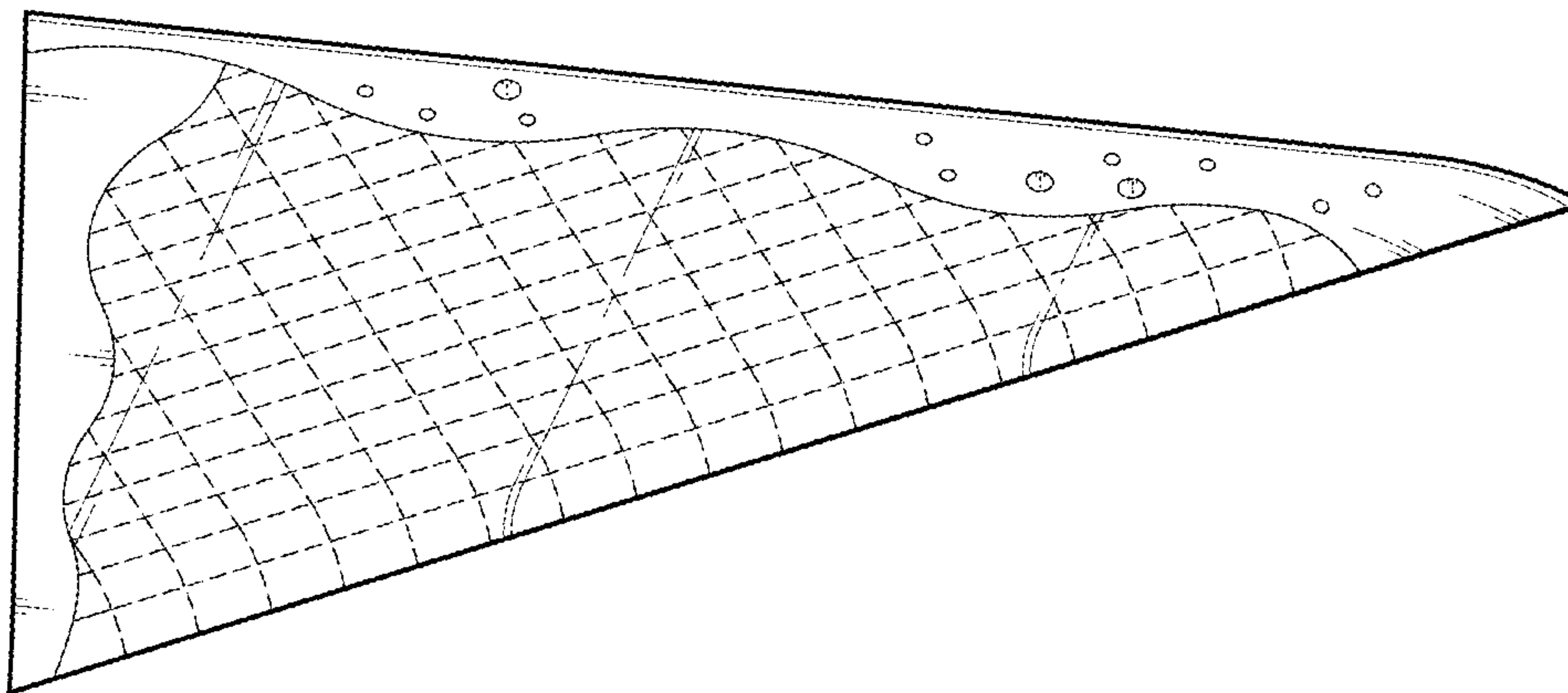
(58) **Field of Classification Search**  
USPC ..... D14/373, 127; D20/10, 17, 18, 19, 21, D20/39, 99  
CPC ... A47B 97/08; G09F 7/00; G09F 1/04; G09F 1/06; G09F 13/04; G09F 19/00  
See application file for complete search history.

The broken lines depict portions of the digital sign that form no part of the claimed design; reproduction 1.1 is a bottom perspective view of the digital sign; reproduction 1.2 is a front view thereof; reproduction 1.3 is a rear view thereof; reproduction 1.4 is a left view thereof; reproduction 1.5 is a right view thereof; reproduction 1.6 is a top view thereof; and reproduction 1.7 is a bottom view thereof.

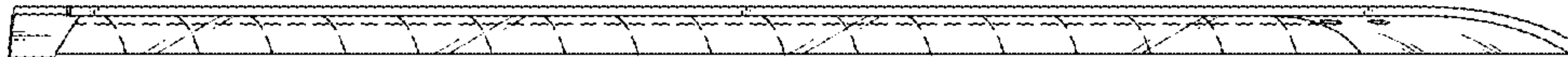
**1 Claim, 7 Drawing Sheets**



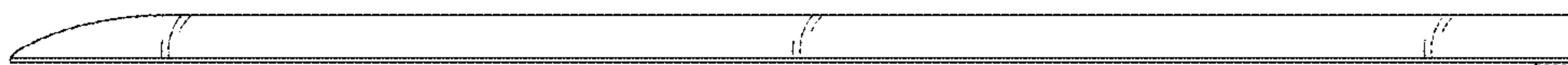
1. 1



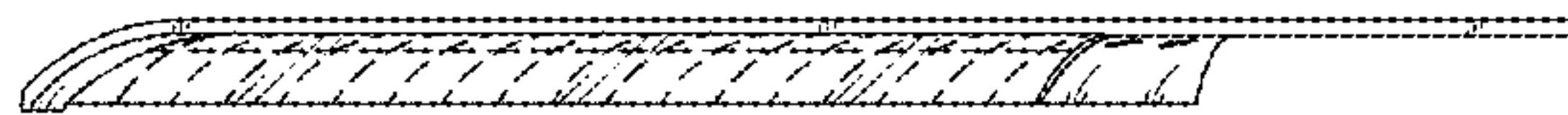
1. 2



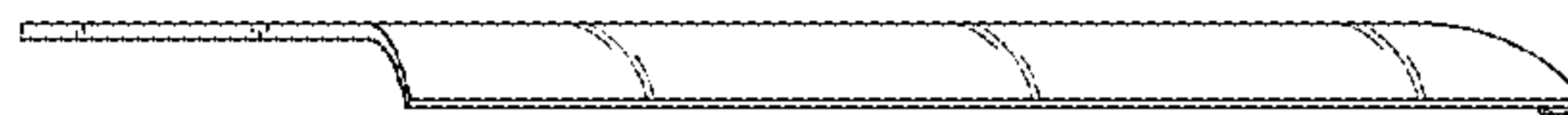
1. 3



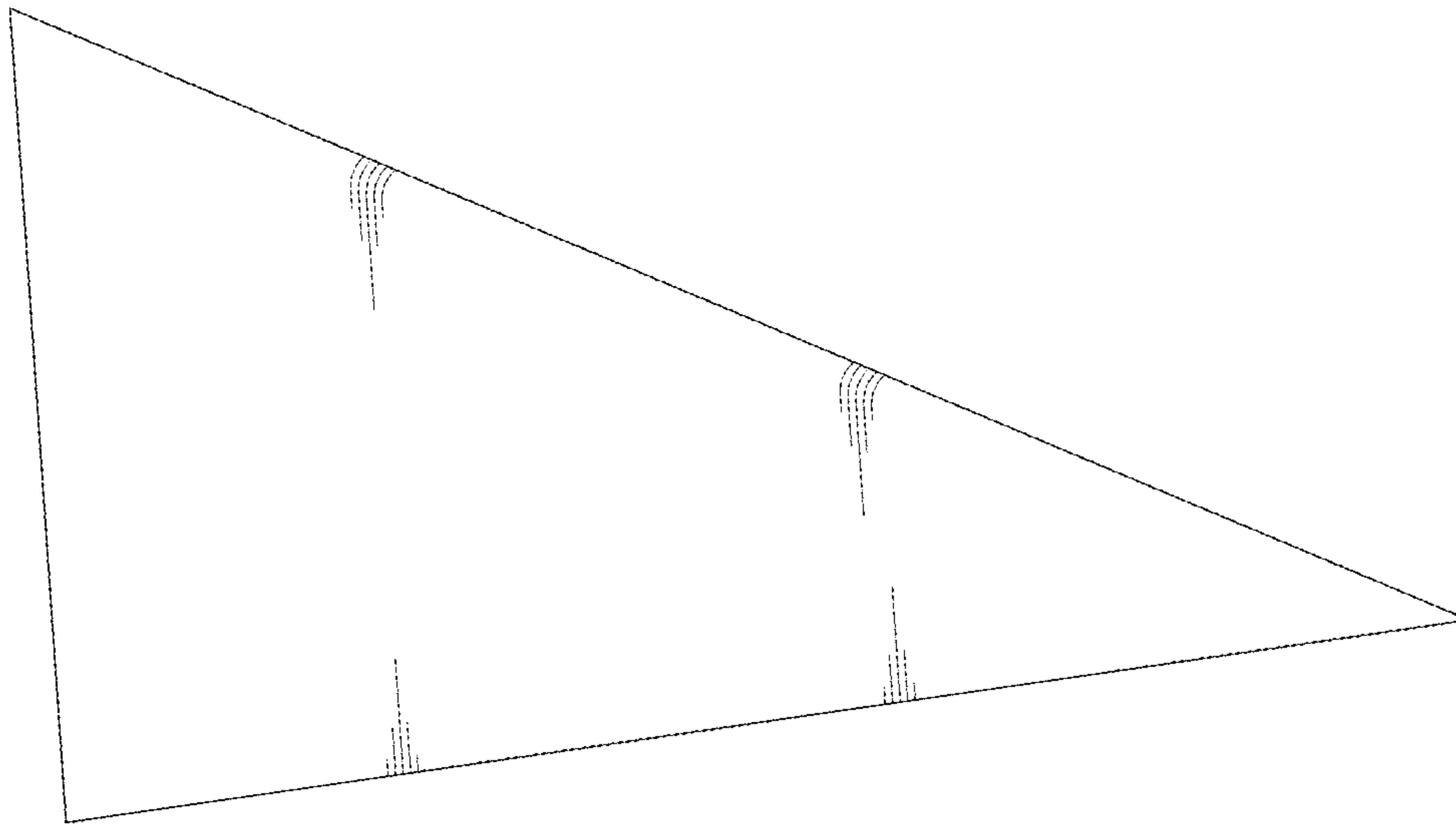
1. 4



1. 5



1. 6



1. 7

