



US00D862592S

(12) **United States Design Patent**  
**Golden et al.**

(10) **Patent No.:** **US D862,592 S**  
(45) **Date of Patent:** **\*\* Oct. 8, 2019**

(54) **POSTER BOARD**

(71) Applicant: **ArtSkills, Inc.**, Bethlehem, PA (US)

(72) Inventors: **Steven B. Golden**, Easton, PA (US);  
**Michele Demsky**, Hampton, NJ (US)

(73) Assignee: **ARTSKILLS, INC.**

(\*\*) Term: **15 Years**

(21) Appl. No.: **29/640,784**

(22) Filed: **Mar. 16, 2018**

(51) **LOC (12) Cl.** ..... **19-06**

(52) **U.S. Cl.**  
USPC ..... **D19/113**

(58) **Field of Classification Search**  
USPC ..... D6/300-314; D19/113, 114; D20/27,  
D20/29, 42, 43; D11/90  
CPC ..... A47G 1/06; A47G 1/0616; A47G 1/0638;  
A47G 2001/0694; B43L 1/00; B43L 1/06;  
B43L 5/00; G09F 15/00; G09F 15/02;  
G09F 15/0012  
See application file for complete search history.

(56) **References Cited**

**U.S. PATENT DOCUMENTS**

- D40,148 S \* 7/1909 Cruver ..... D6/303
- 4,319,422 A \* 3/1982 Robins ..... G09F 7/06  
206/223
- 4,777,746 A \* 10/1988 Brooks ..... A47G 1/0633  
40/748
- D378,251 S \* 3/1997 Levin ..... D6/300
- D414,346 S \* 9/1999 Houssian ..... D6/300
- D424,469 S \* 5/2000 Koucky ..... D11/90

(Continued)

*Primary Examiner* — Elizabeth A. Albert

(74) *Attorney, Agent, or Firm* — The Bells Group, P.C.

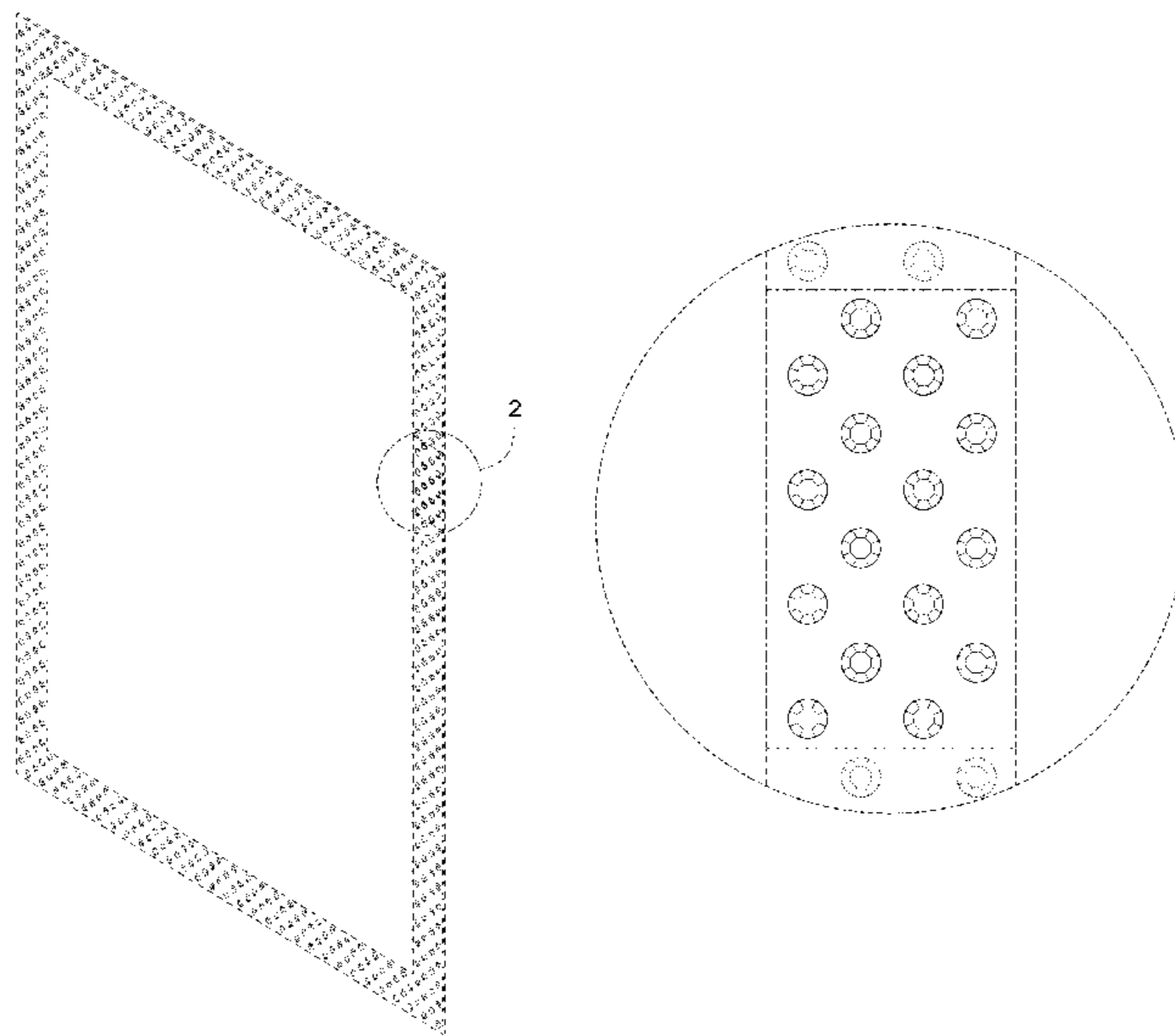
(57) **CLAIM**

The ornamental design for a poster board, as shown and described.

**DESCRIPTION**

FIG. 1 is a front perspective view of a poster board according to a first embodiment of the present invention; FIG. 2 is a close-up view of area 2 of FIG. 1; FIG. 3 is a rear perspective view of the poster board of FIG. 1; FIG. 4 is a front elevation view of the poster board of FIG. 1; FIG. 5 is a close-up view of area 5 of FIG. 4; FIG. 6 is a left elevation view of the poster board of FIG. 1; FIG. 7 is a right elevation view of the poster board of FIG. 1; FIG. 8 is a top plan view of the poster board of FIG. 1; FIG. 9 is a bottom plan view of the poster board of FIG. 1; FIG. 10 is a front perspective view of a poster board according to a second embodiment of the present invention; FIG. 11 is a close-up view of area 11 of FIG. 10; FIG. 12 is a rear perspective view of the poster board of FIG. 10; FIG. 13 is a front elevation view of the poster board of FIG. 10; FIG. 14 is a close-up view of area 14 of FIG. 13; FIG. 15 is a left elevation view of the poster board of FIG. 10; FIG. 16 is a right elevation view of the poster board of FIG. 10; FIG. 17 is a top plan view of the poster board of FIG. 10; and, FIG. 18 is a bottom plan view of the poster board of FIG. 10. The broken lines formed by equal length line segments illustrate portions of the poster board that form no part of the claimed design. The broken lines formed by long and short line segments represent an unclaimed boundary.

**1 Claim, 14 Drawing Sheets**



(56)

## References Cited

## U.S. PATENT DOCUMENTS

D434,691 S \* 12/2000 Swarovski ..... D11/90  
D464,206 S \* 10/2002 Moncourtois ..... D6/308  
D475,335 S \* 6/2003 Wang ..... D12/193  
6,705,114 B2 \* 3/2004 Steiner ..... A44C 17/008  
63/14.9  
D501,327 S \* 2/2005 Keigley ..... D6/300  
D521,916 S \* 5/2006 Spencer ..... D12/193  
D524,210 S \* 7/2006 Spencer ..... D12/193  
D524,708 S \* 7/2006 Spencer ..... D12/193  
D535,927 S \* 1/2007 Tofer ..... D12/193  
D537,395 S \* 2/2007 Magee ..... D12/193  
D554,885 S \* 11/2007 de Malherbe ..... D6/673  
D559,555 S \* 1/2008 Mischel, Jr. .... D14/129  
D584,364 S \* 1/2009 Quercetti ..... D19/113  
RE41,978 E \* 12/2010 Mischel, Jr. .... D14/126  
7,888,602 B2 \* 2/2011 Park ..... H05K 1/0272  
174/252  
D640,177 S \* 6/2011 Ohm ..... D12/193  
D650,729 S \* 12/2011 Dong ..... D12/193  
D685,286 S \* 7/2013 Bhansali ..... D11/90  
D689,803 S \* 9/2013 Spencer ..... D12/193  
D699,619 S \* 2/2014 Kothari ..... D11/90  
D712,857 S \* 9/2014 Thompson ..... D14/126  
D721,998 S \* 2/2015 Spencer ..... D12/193  
D742,651 S \* 11/2015 Sands ..... D6/300  
D791,665 S \* 7/2017 Filakousky ..... D12/193  
D792,825 S \* 7/2017 Filakousky ..... D12/193  
D816,569 S \* 5/2018 Huang ..... D12/193

\* cited by examiner

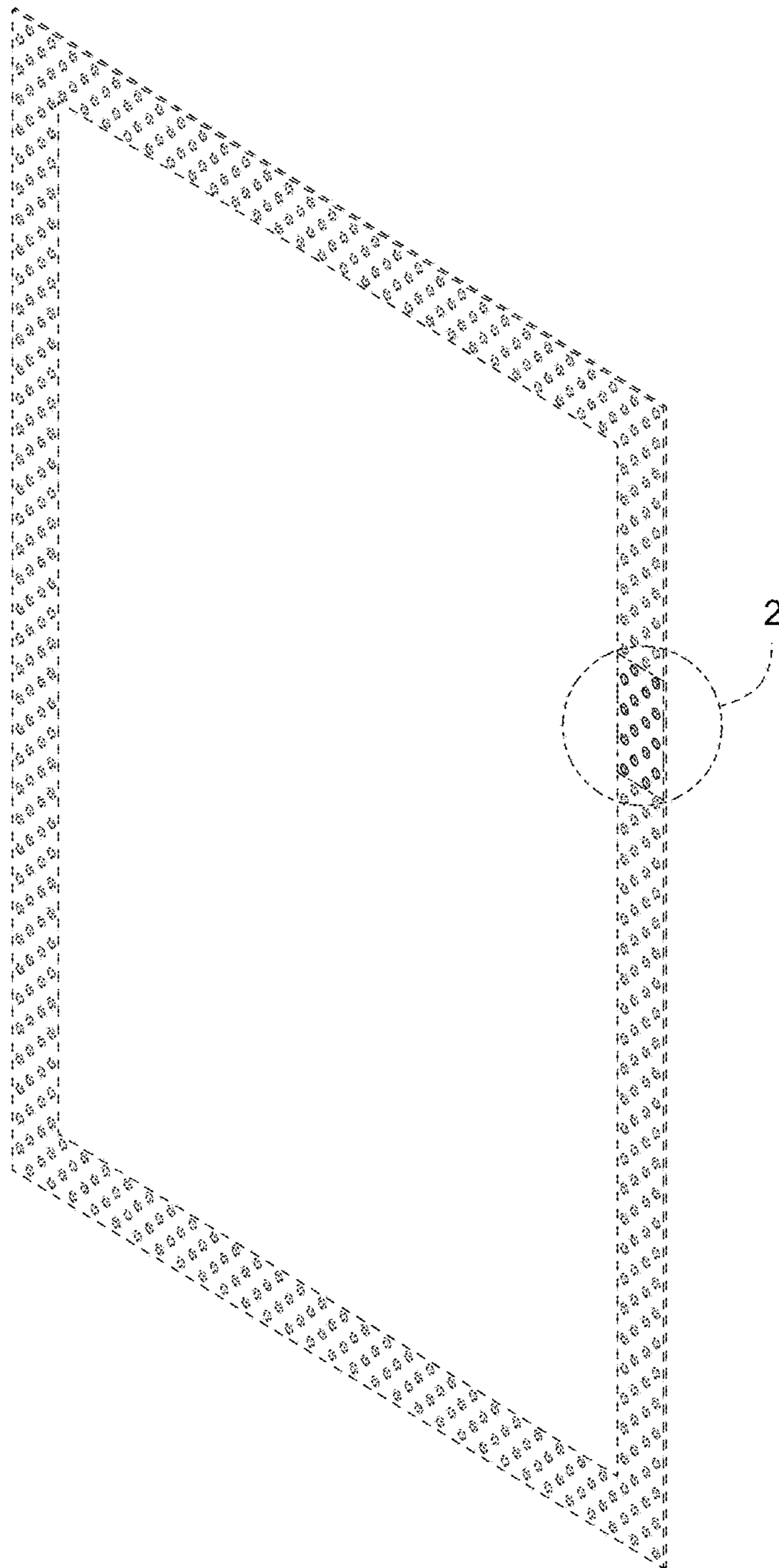


FIG. 1

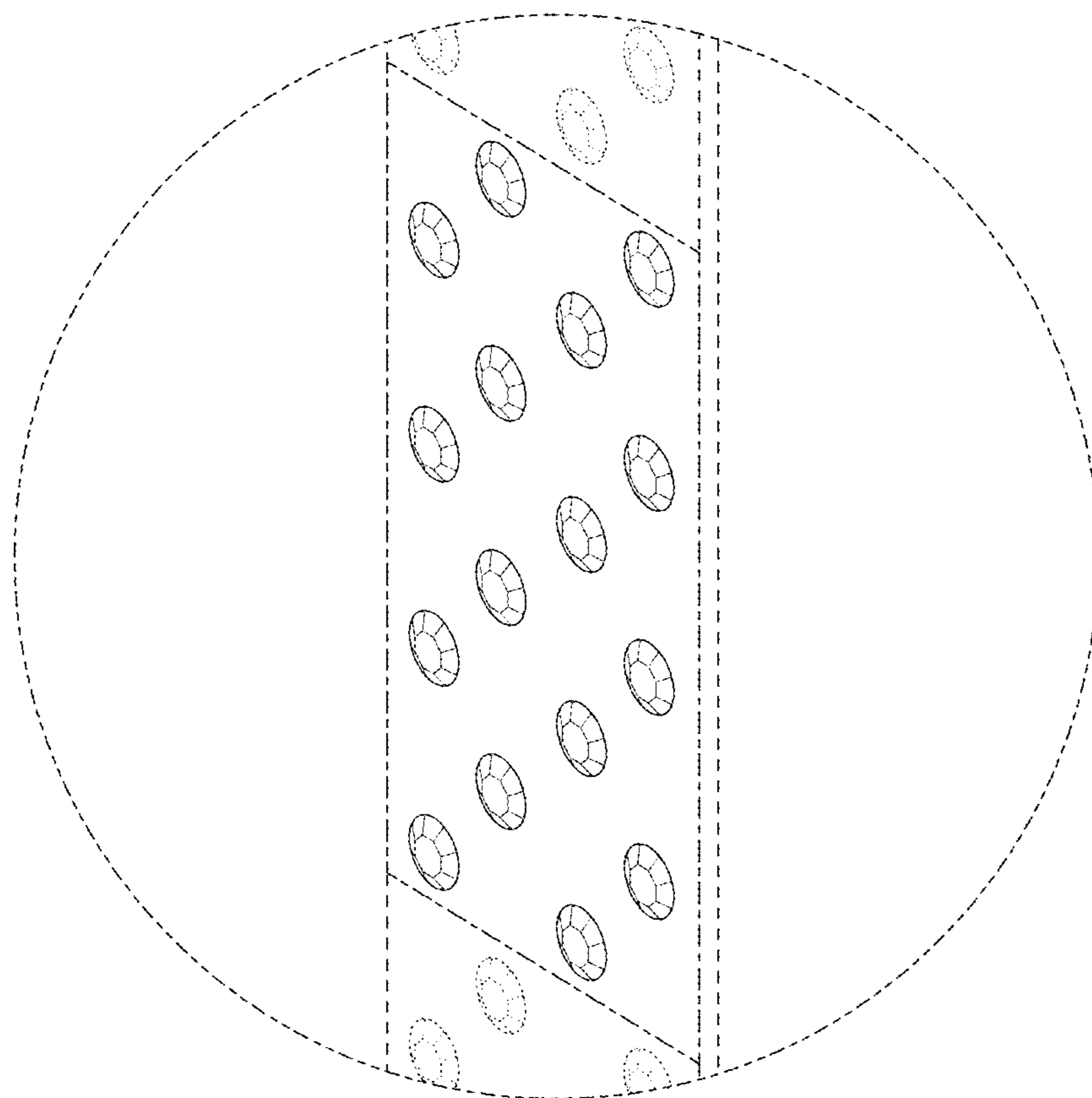


FIG. 2

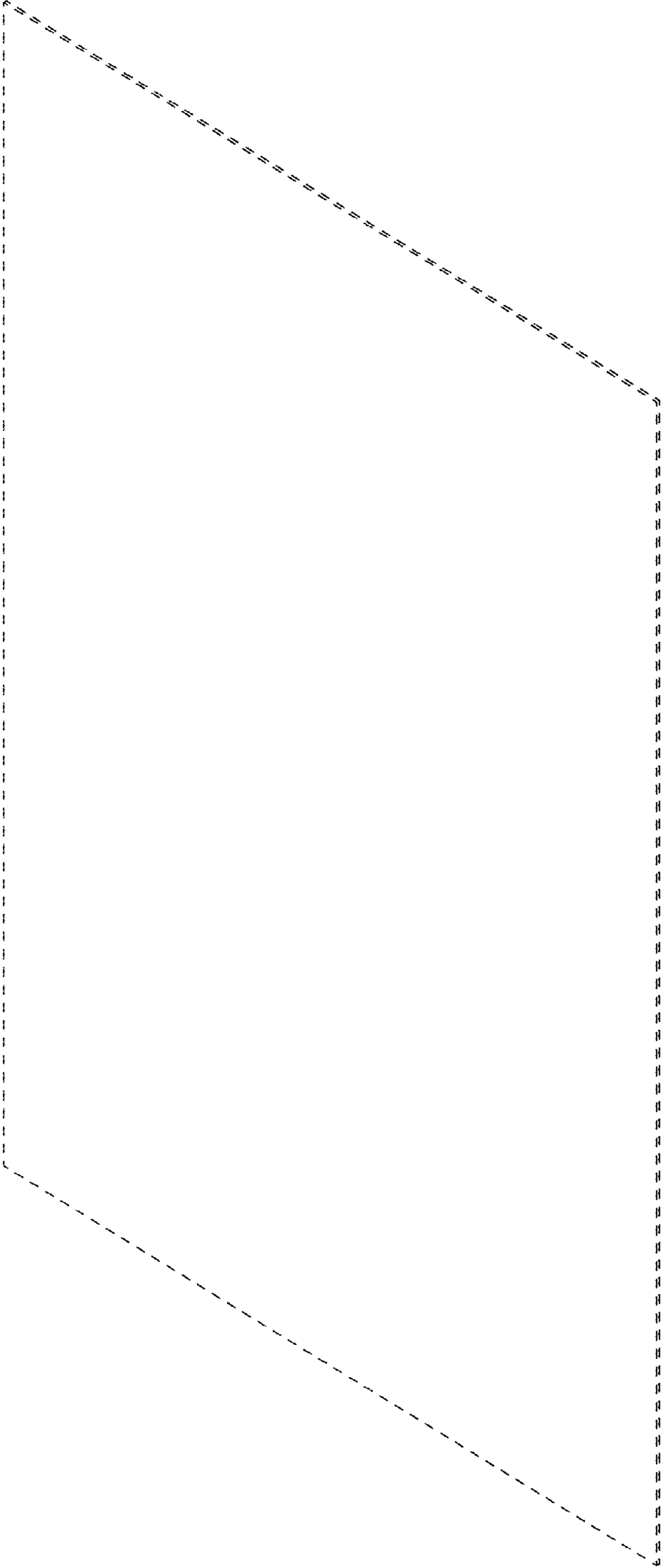


FIG. 3

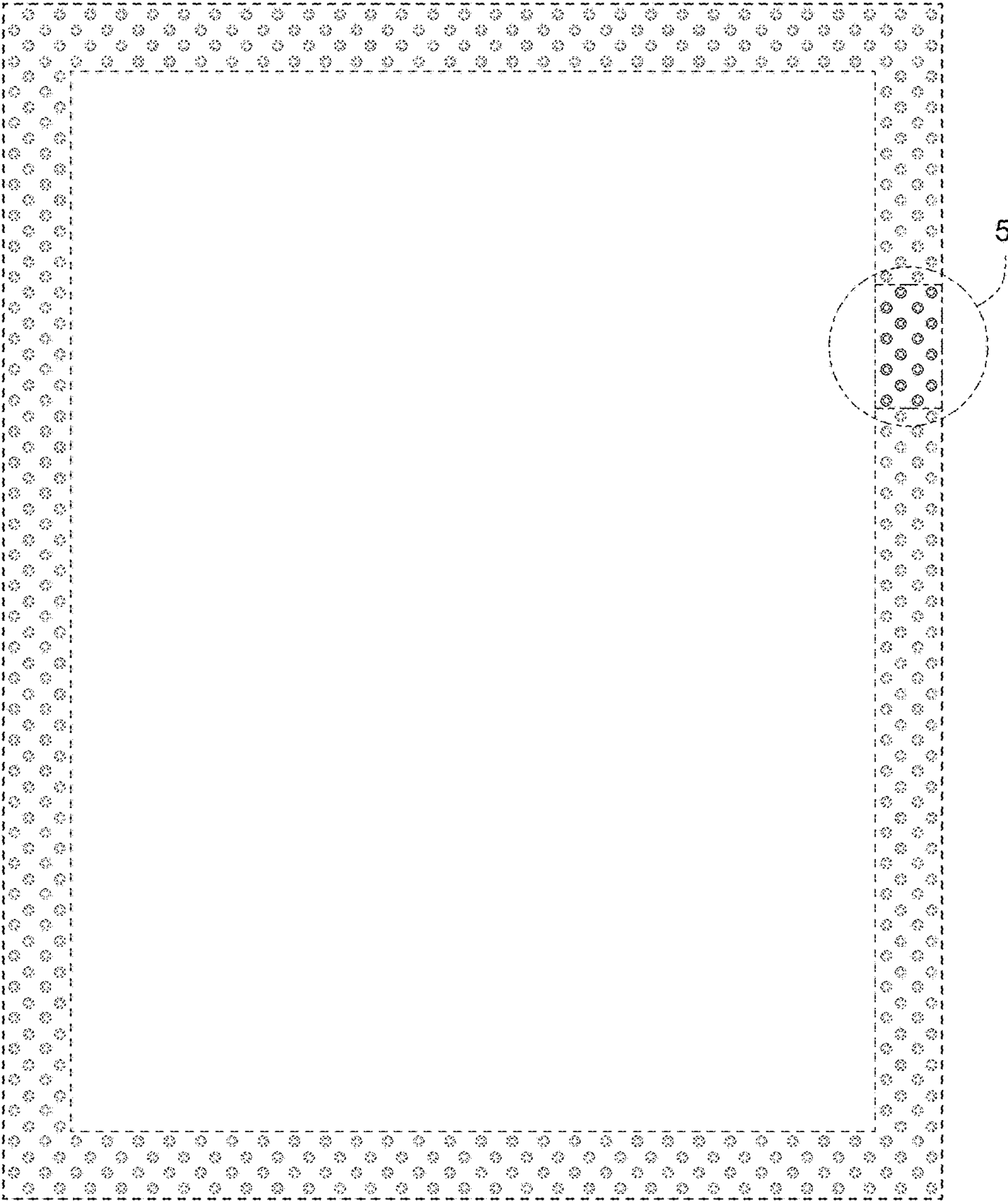


FIG. 4

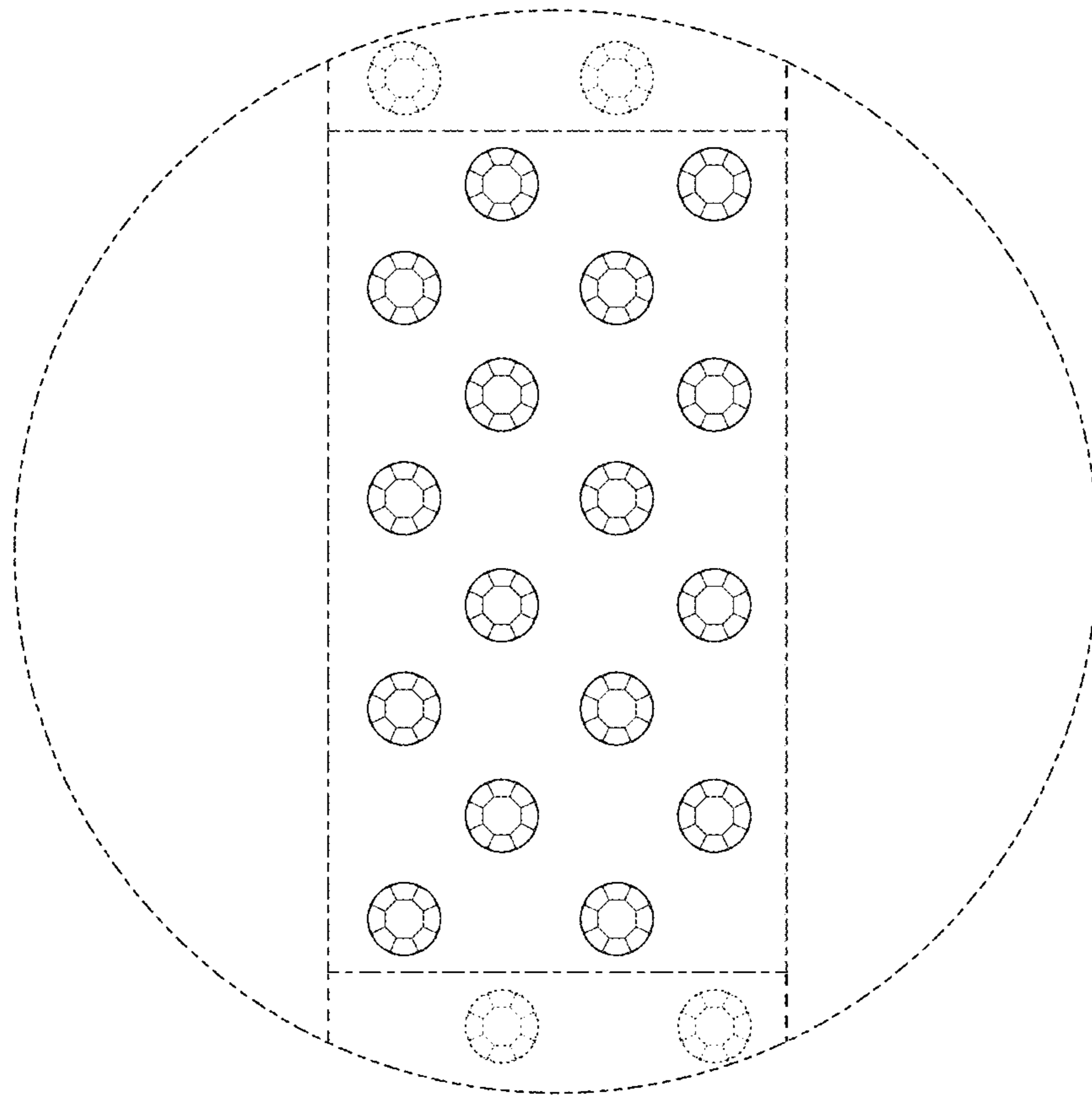


FIG. 5

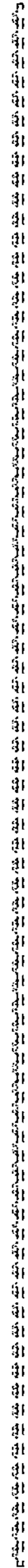


FIG. 6

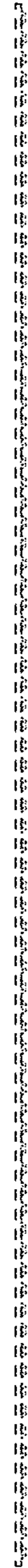


FIG. 7



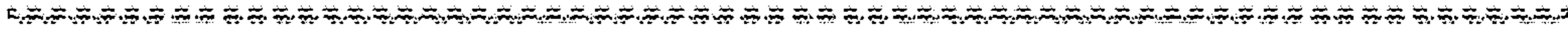


FIG. 8

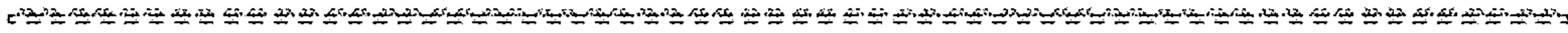


FIG. 9

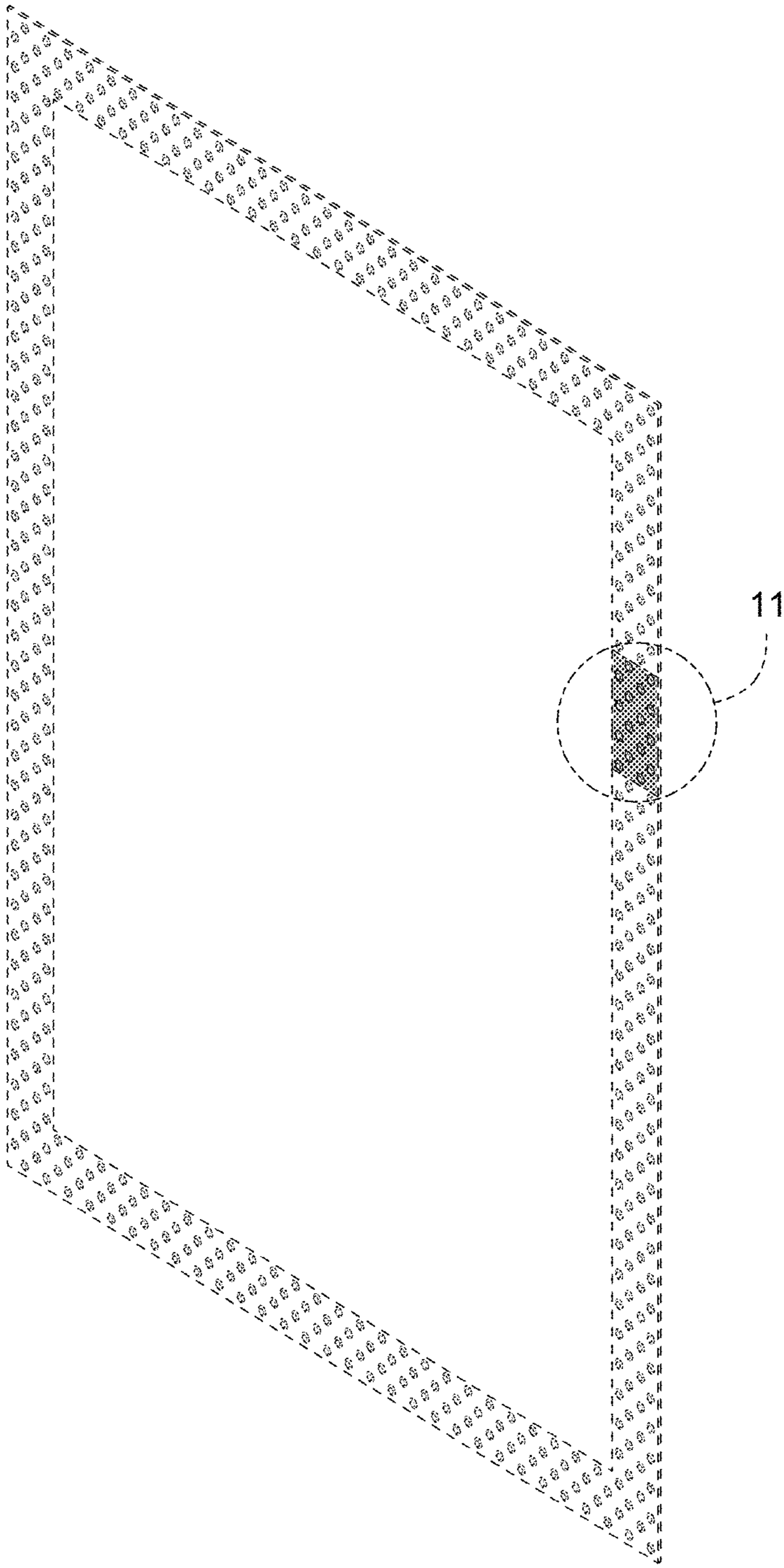


FIG. 10

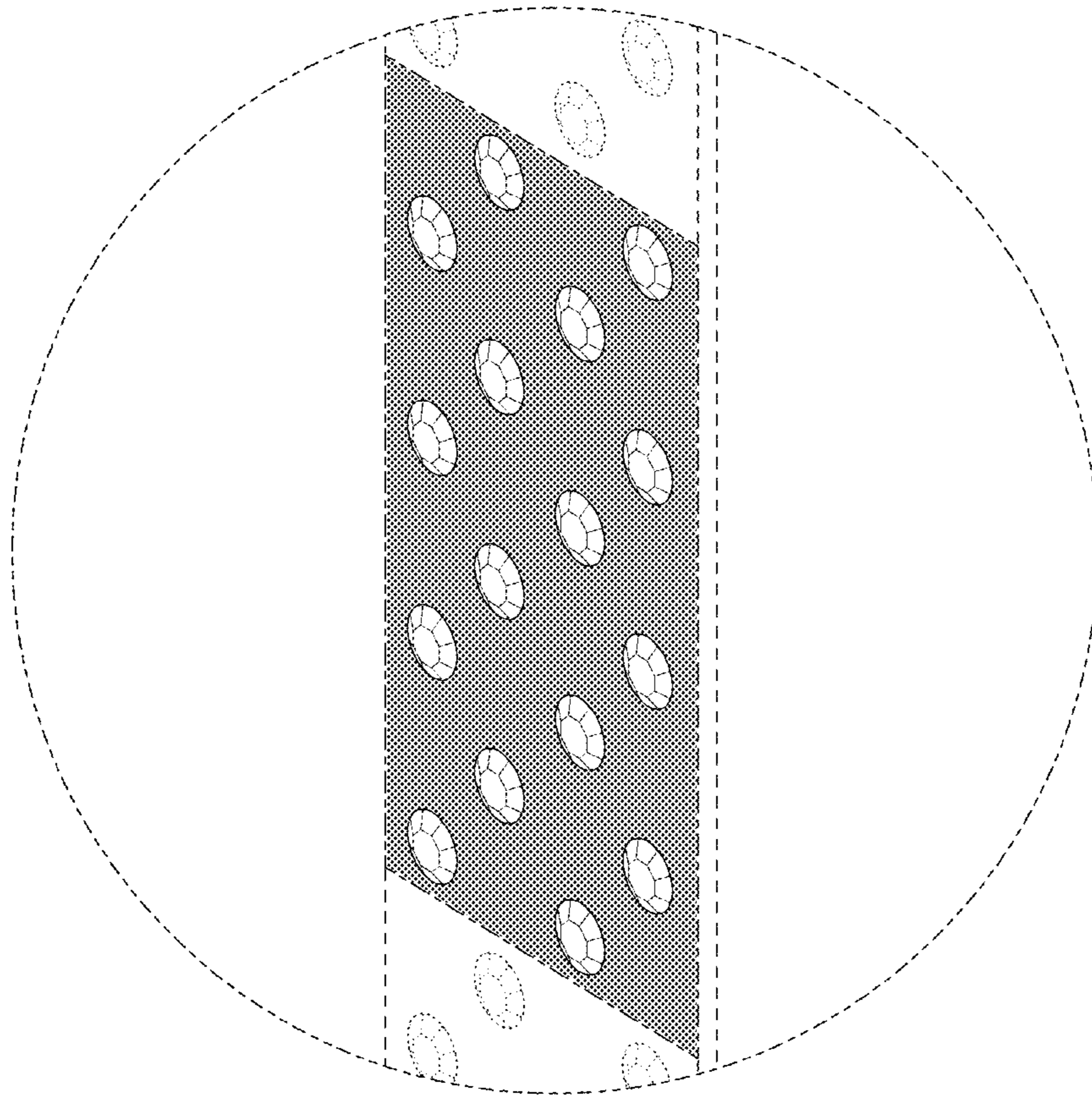


FIG. 11

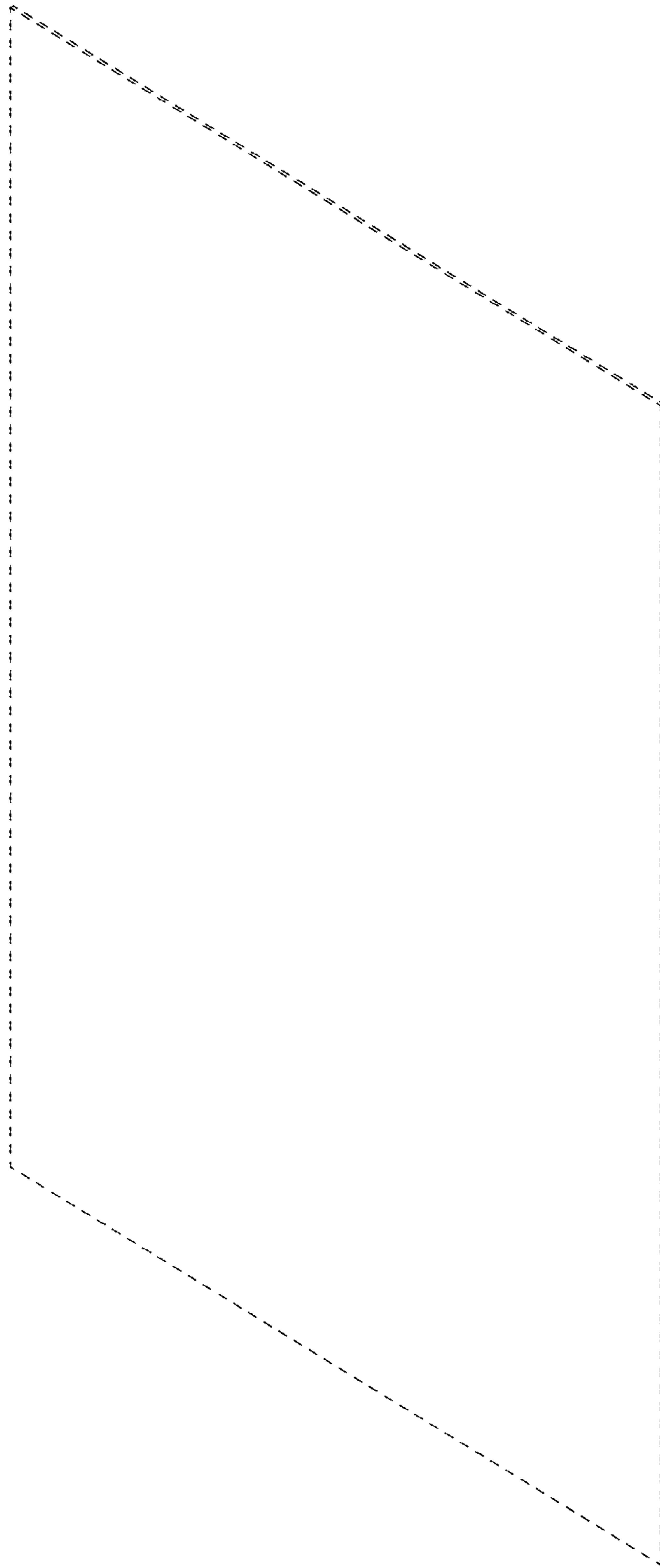


FIG. 12

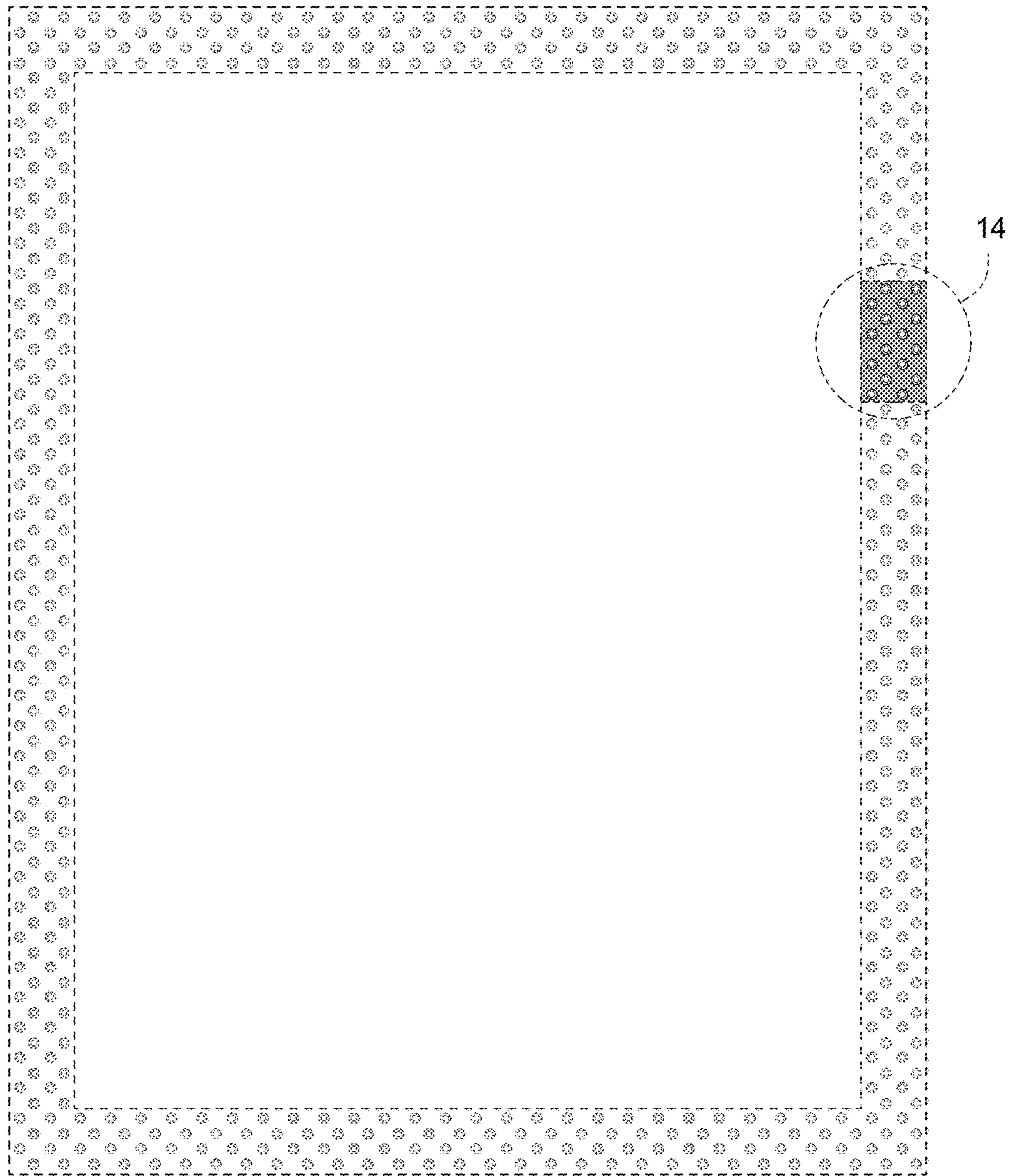


FIG. 13

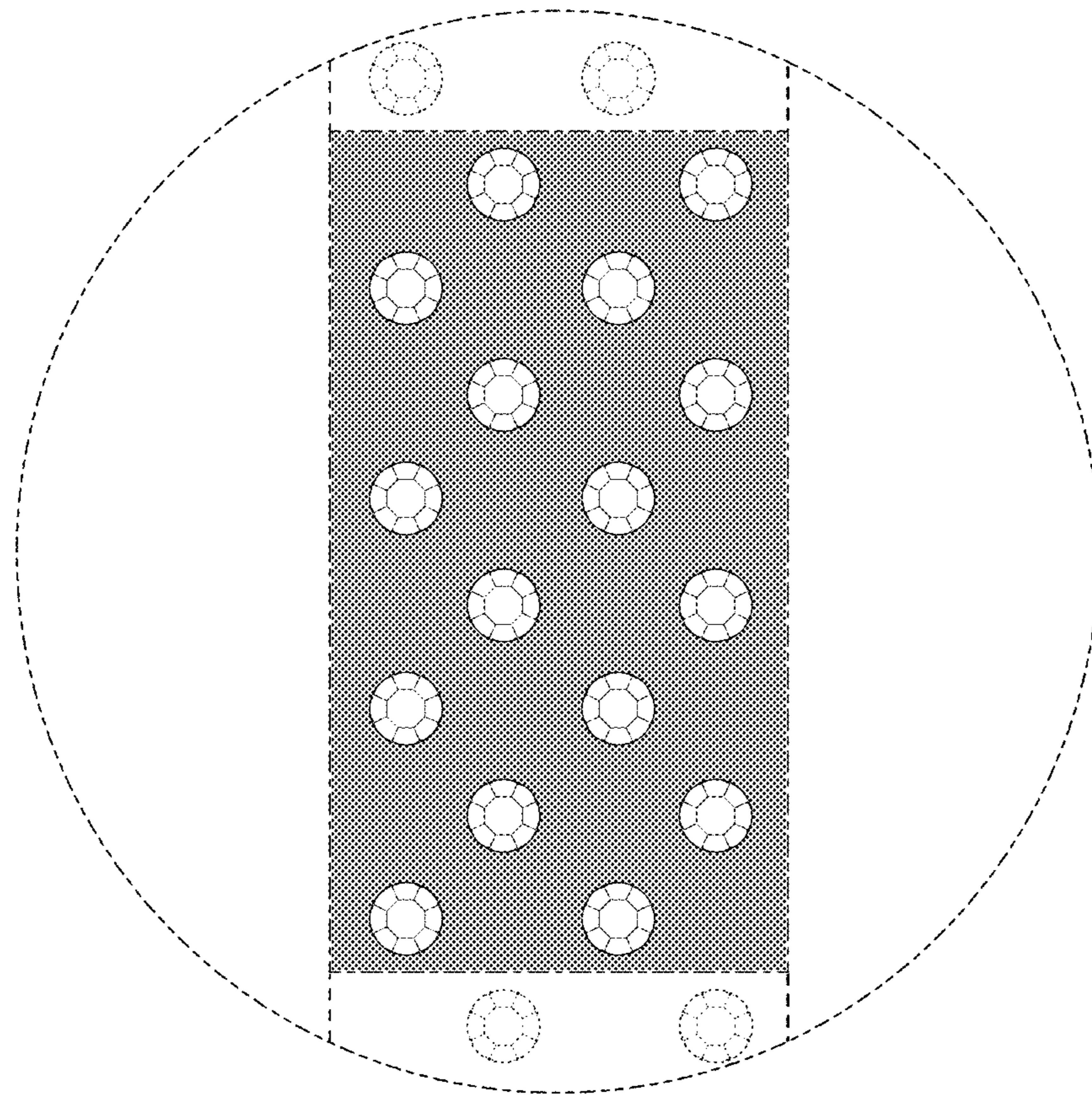


FIG. 14

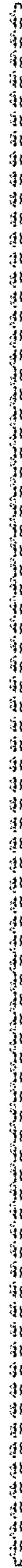


FIG. 15



FIG. 16

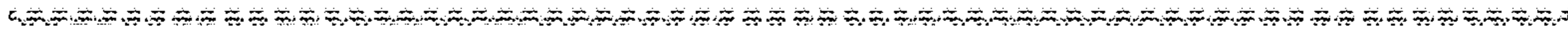


FIG. 17

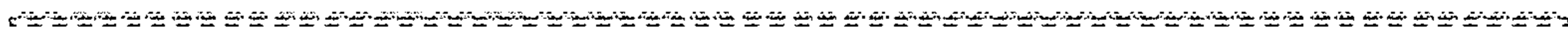


FIG. 18