



US00D862588S

(12) **United States Design Patent**  
**Huang et al.**

(10) **Patent No.:** **US D862,588 S**

(45) **Date of Patent:** **\*\* Oct. 8, 2019**

(54) **PRINTER**

(71) Applicant: **IBASE Gaming INC.**, New Taipei (TW)

(72) Inventors: **Nien-Chang Huang**, New Taipei (TW);  
**Yu-Chia Hung**, New Taipei (TW)

(73) Assignee: **IBASE GAMING INC.**, New Taipei (TW)

(\*\*) Term: **15 Years**

(21) Appl. No.: **29/615,975**

(22) Filed: **Sep. 1, 2017**

(30) **Foreign Application Priority Data**

Mar. 3, 2017 (TW) ..... 106301045

(51) **LOC (12) Cl.** ..... **14-02**

(52) **U.S. Cl.**  
USPC ..... **D18/50**; D18/19

(58) **Field of Classification Search**  
USPC ..... D18/50, 19, 14, 36-37; D19/68  
CPC . B41J 3/4075; B41J 11/58; B41J 15/00; B41J  
15/042; B65C 11/00; B65C 11/04  
See application file for complete search history.

(56) **References Cited**

**U.S. PATENT DOCUMENTS**

D294,405 S \* 2/1988 Man Yau ..... D18/50  
D443,890 S \* 6/2001 Sato ..... D18/50

D449,852 S \* 10/2001 Sugimoto ..... D18/14  
D492,352 S \* 6/2004 Lammers ..... D19/68  
D492,959 S \* 7/2004 Nakanishi ..... D18/50  
D527,043 S \* 8/2006 Borne ..... D18/19  
D559,303 S \* 1/2008 Hongo ..... D18/19  
D663,767 S \* 7/2012 Inada ..... D18/19  
D700,650 S \* 3/2014 Chida ..... D18/19  
D701,898 S \* 4/2014 Nakata ..... D18/19  
D703,264 S \* 4/2014 Shibuya ..... D18/50  
D750,162 S \* 2/2016 Ozawa ..... D18/19  
D752,137 S \* 3/2016 Mita ..... D18/19  
D758,481 S \* 6/2016 Medugorac ..... D18/19  
D800,830 S \* 10/2017 Maeda ..... D18/19  
D812,678 S \* 3/2018 Ozawa ..... D18/19  
2016/0214400 A1 \* 7/2016 Kawai ..... B41J 3/4075  
2017/0341431 A1 \* 11/2017 Jo ..... B41J 11/0045  
2018/0086119 A1 \* 3/2018 Ikemoto ..... B41J 11/04

\* cited by examiner

*Primary Examiner* — Catherine R Oliver-Garcia  
*Assistant Examiner* — J. Thorn, Sr.

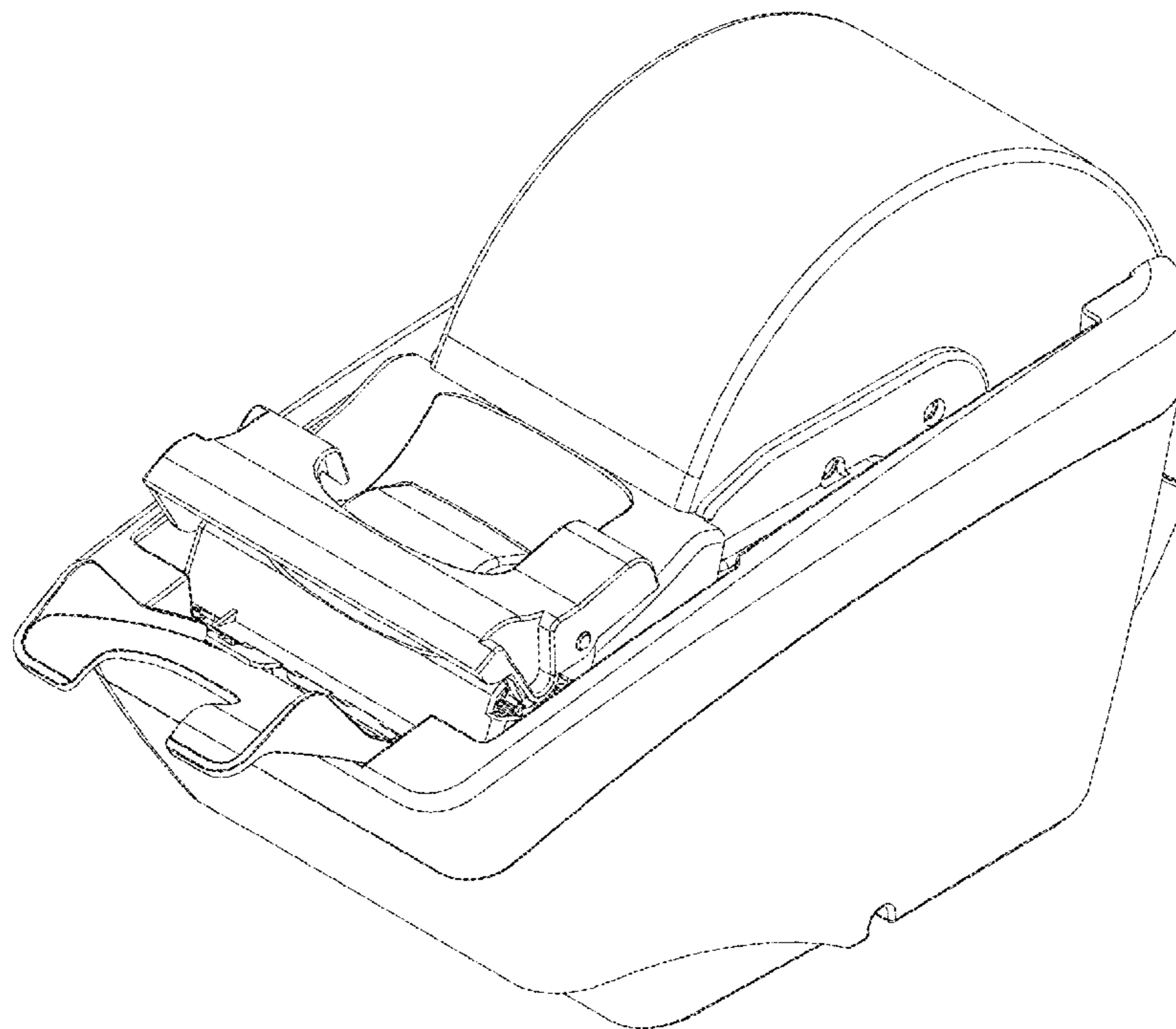
(57) **CLAIM**

The ornamental design for a printer, as shown and described.

**DESCRIPTION**

FIG. 1 is a perspective view of a printer showing the new design;  
FIG. 2 is a front view thereof;  
FIG. 3 is a rear view thereof;  
FIG. 4 is a left side view thereof;  
FIG. 5 is a right side view thereof;  
FIG. 6 is a top view thereof; and,  
FIG. 7 is a bottom view thereof.

**1 Claim, 7 Drawing Sheets**



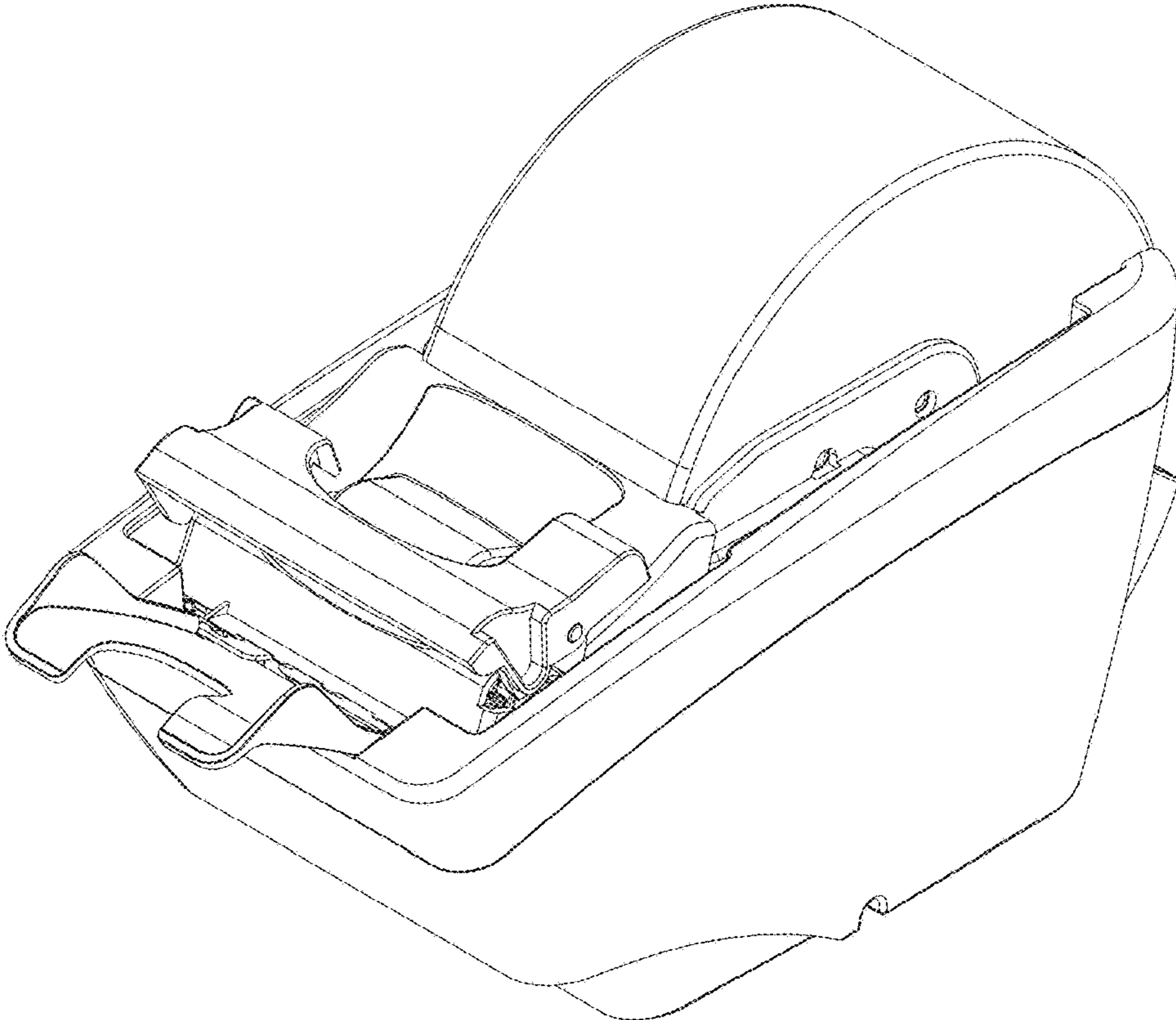


Fig.1

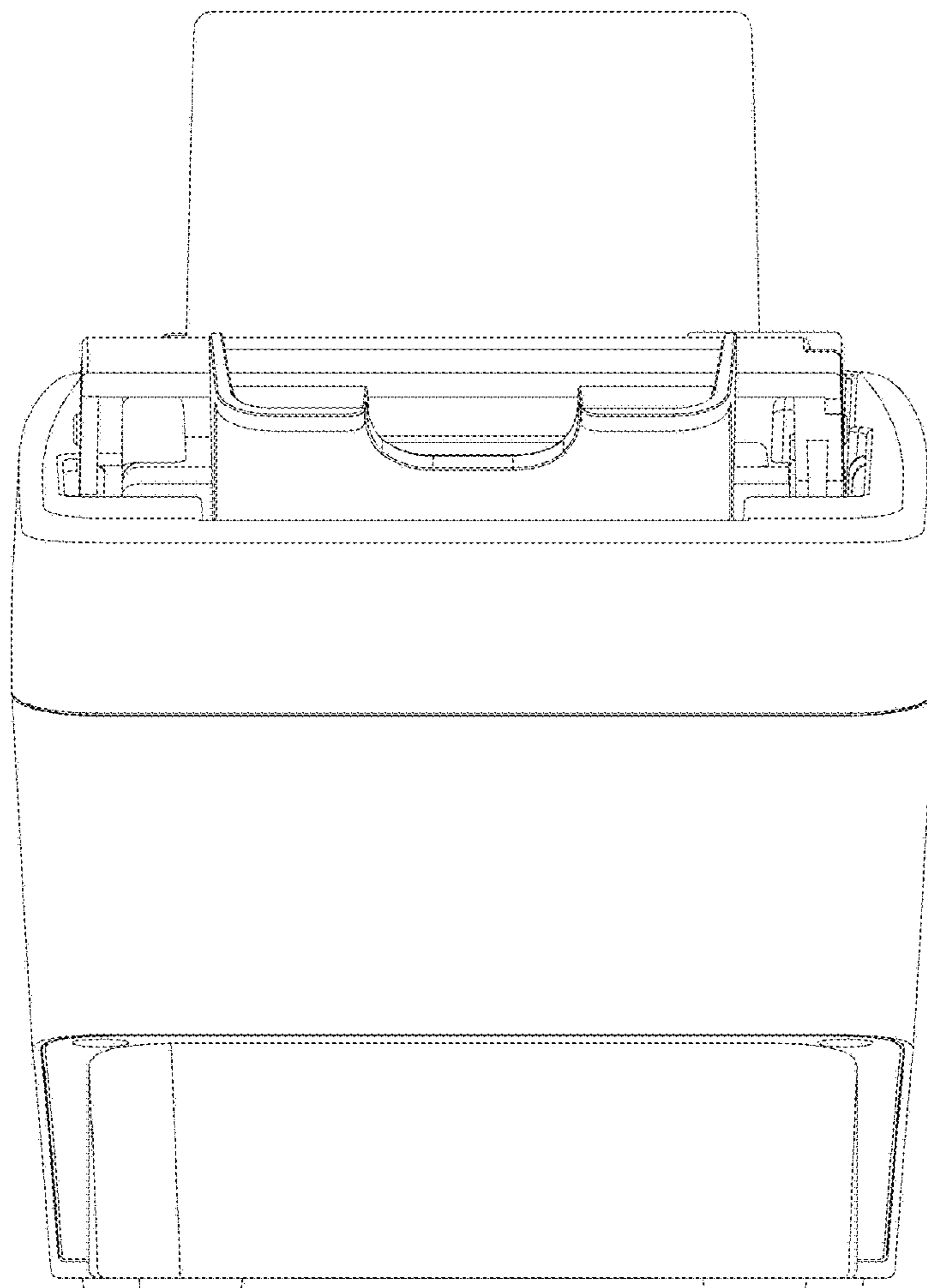


Fig.2

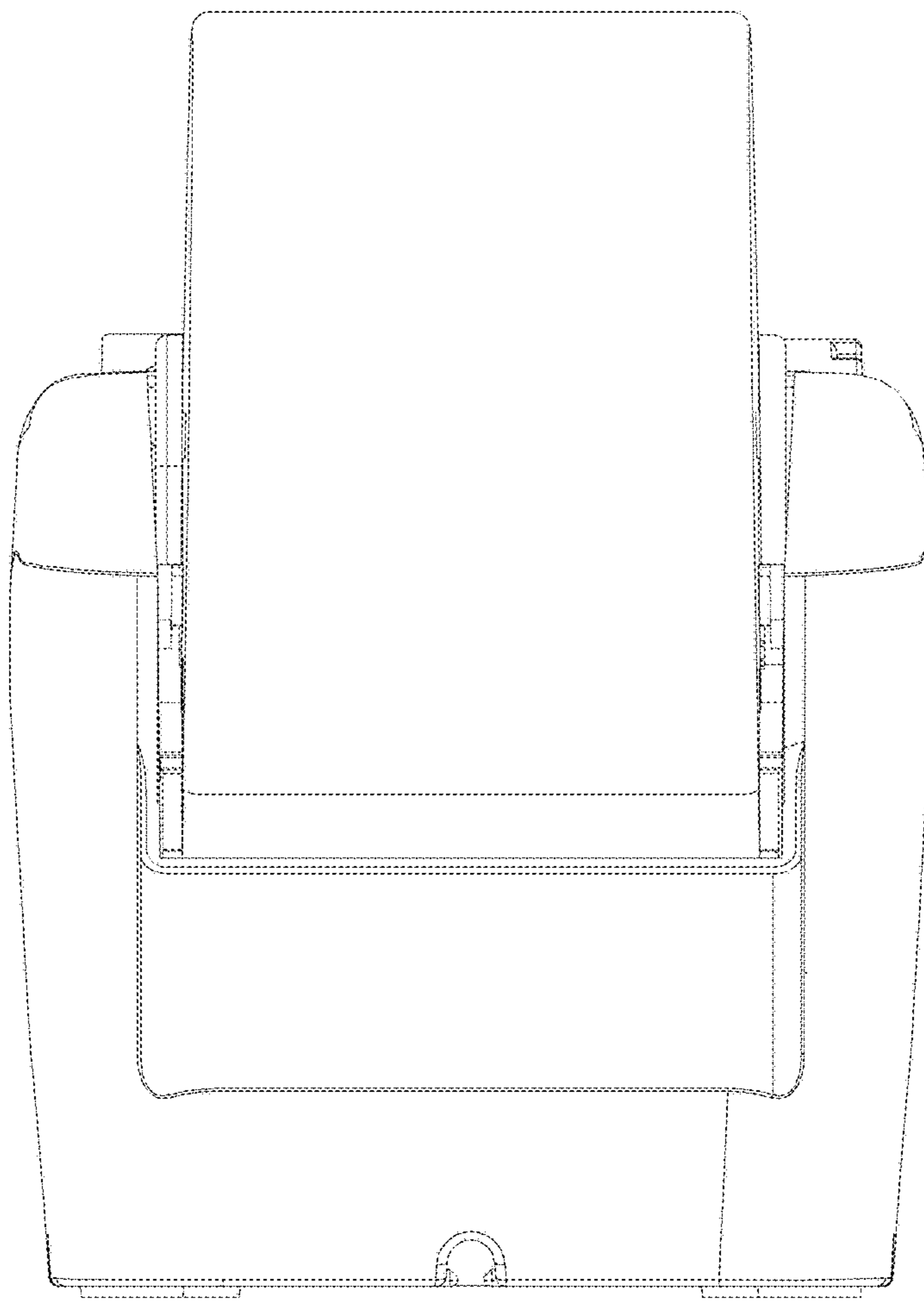


Fig.3

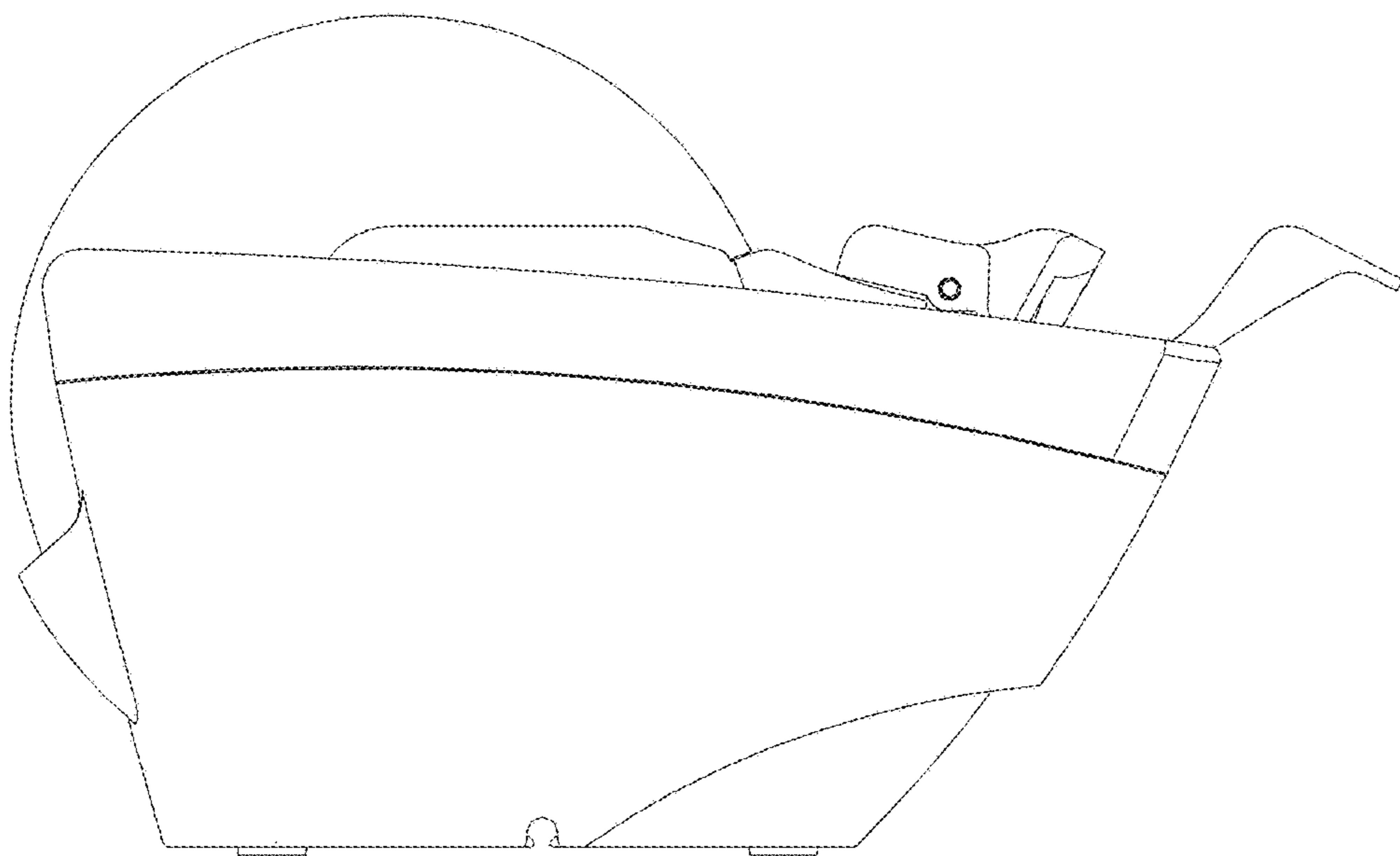


Fig.4

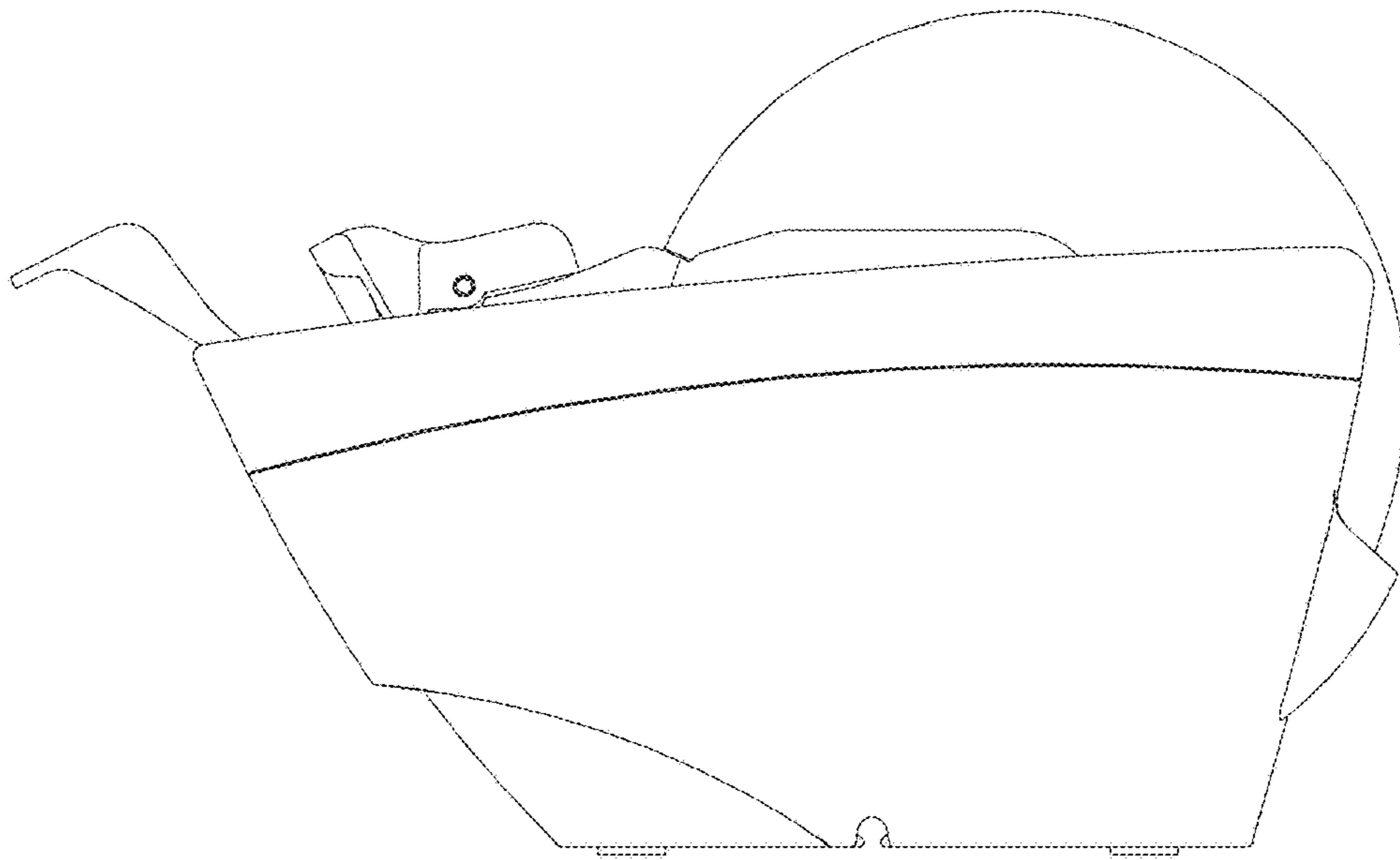


Fig.5



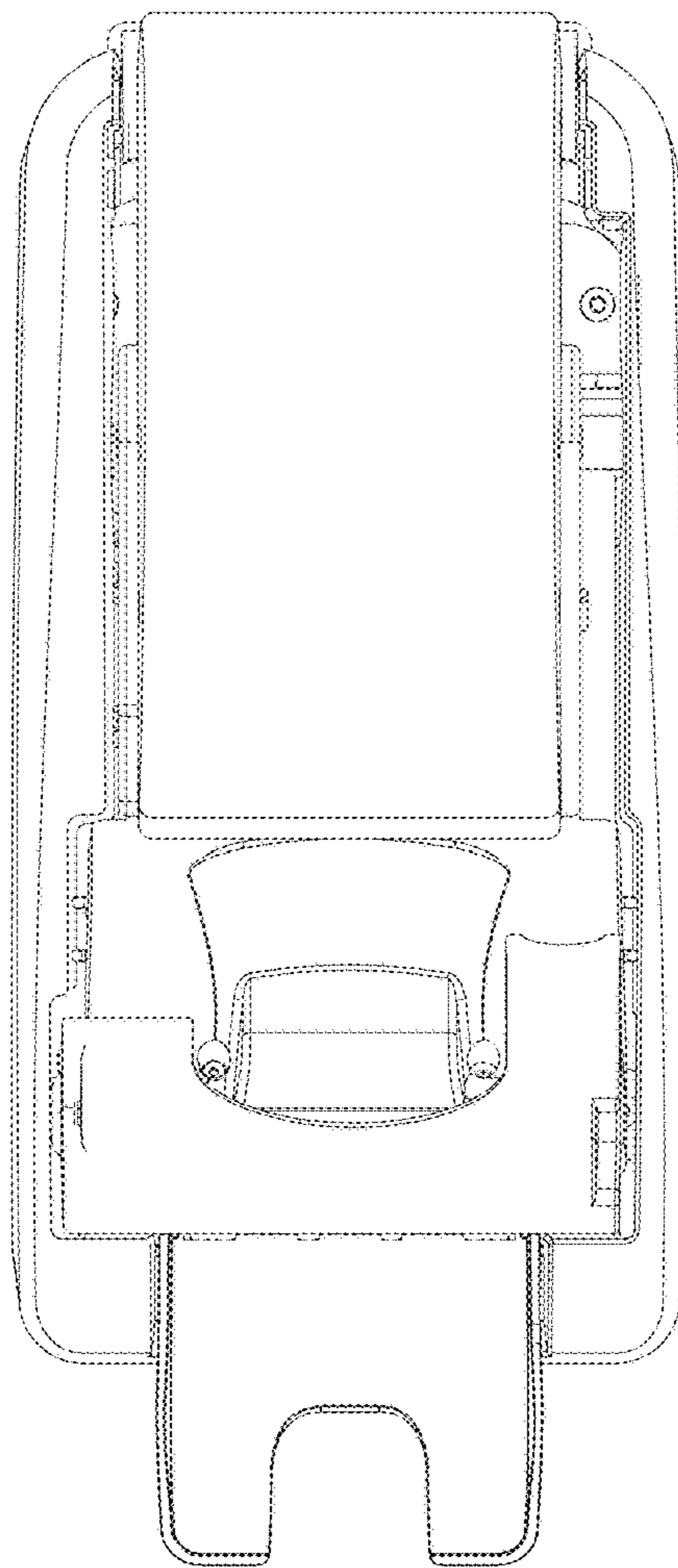


Fig. 6

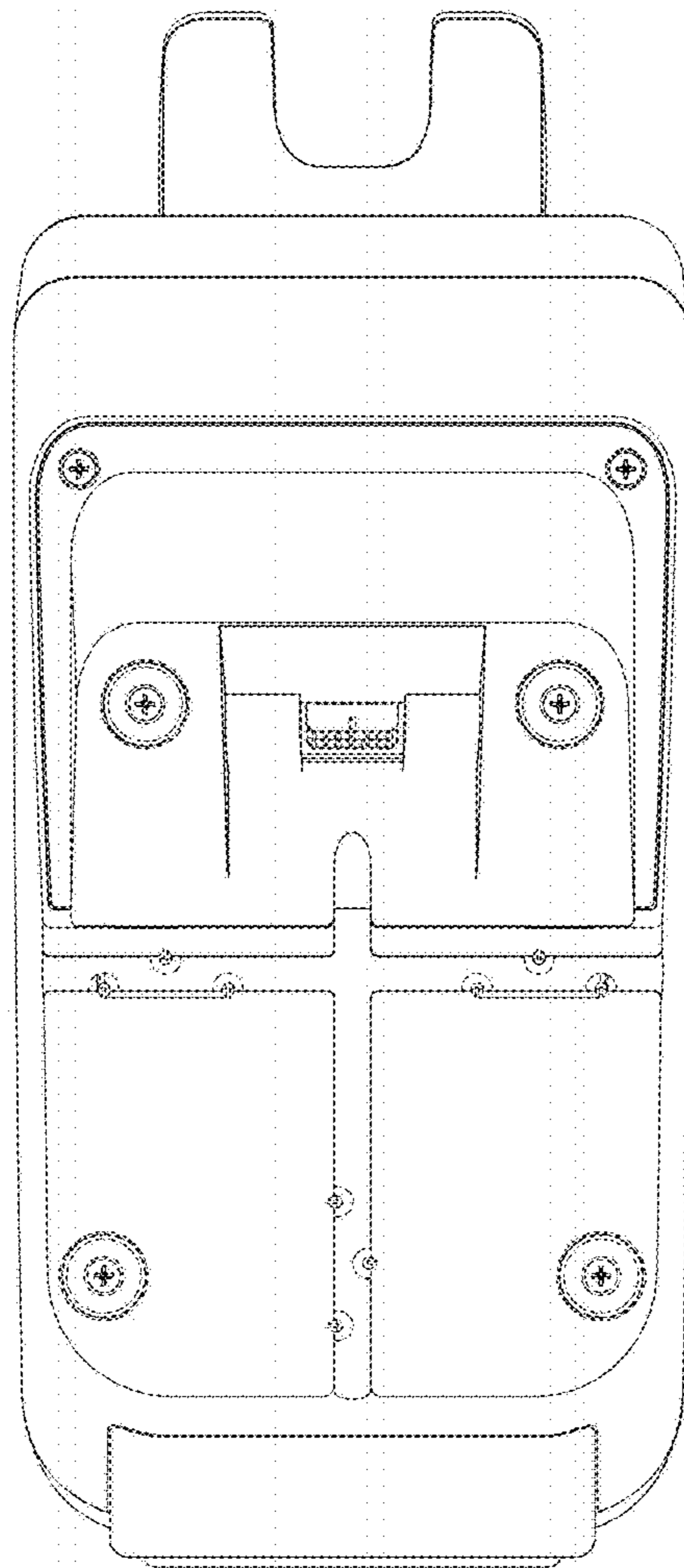


Fig.7