

US00D862586S

(12) **United States Design Patent** (10) **Patent No.:** **US D862,586 S**
Oguma et al. (45) **Date of Patent:** **** Oct. 8, 2019**

(54) **PHOTOSENSITIVE DRUM FOR PROCESS CARTRIDGE FOR IMAGE FORMING APPARATUS**
(71) Applicant: **CANON KABUSHIKI KAISHA**, Tokyo (JP)
(72) Inventors: **Toru Oguma**, Shizuoka-ken (JP); **Naoya Asanuma**, Shizuoka-ken (JP); **Tetsuya Numata**, Shizuoka-ken (JP); **Takuya Kawakami**, Shizuoka-ken (JP); **Yohei Kusano**, Shizuoka-ken (JP); **Daisuke Hiramatsu**, Tokyo (JP); **Takayuki Yada**, Shizuoka-ken (JP); **Takatoshi Hamada**, Shizuoka-ken (JP); **Go Torii**, Shizuoka-ken (JP); **Hiroaki Noshō**, Shizuoka-ken (JP)
(73) Assignee: **Canon Kabushiki Kaisha**, Tokyo (JP)
(**) Term: **15 Years**
(21) Appl. No.: **29/672,803**
(22) Filed: **Dec. 10, 2018**

Related U.S. Application Data

(62) Division of application No. 35/503,867, filed on Apr. 26, 2017 (U.S. filing date under 35 U.S.C. 384), and having an international filing date of Apr. 26, 2017.

Foreign Application Priority Data

Oct. 31, 2016 (JP) 2016-023604
(51) **LOC (12) Cl.** **16-03**
(52) **U.S. Cl.**
USPC **D18/43**
(58) **Field of Classification Search**
USPC D18/40, 43; D14/462, 471
CPC G03G 21/16; G03G 21/1814; G03G 15/0142; G03G 15/00; B41J 2/17503
See application file for complete search history.

(56) **References Cited**
U.S. PATENT DOCUMENTS
D533,215 S * 12/2006 Ishii G03G 21/1803 D18/43
D550,765 S * 9/2007 Ishikawa G03G 15/0867 D18/43

(Continued)

FOREIGN PATENT DOCUMENTS

JP 2016099403 A 5/2016
Primary Examiner — Robert M. Spear
(74) *Attorney, Agent, or Firm* — Venable LLP

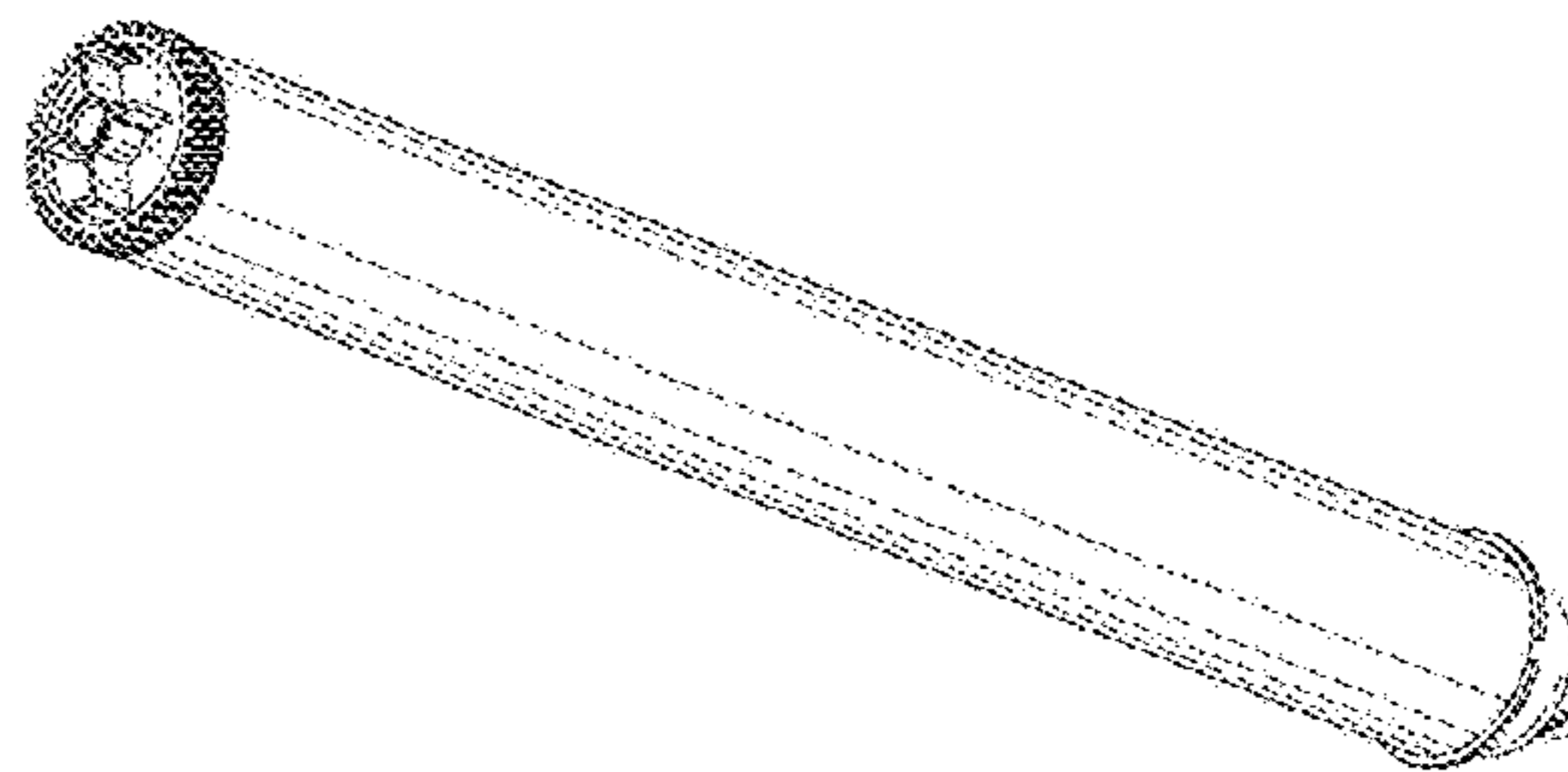
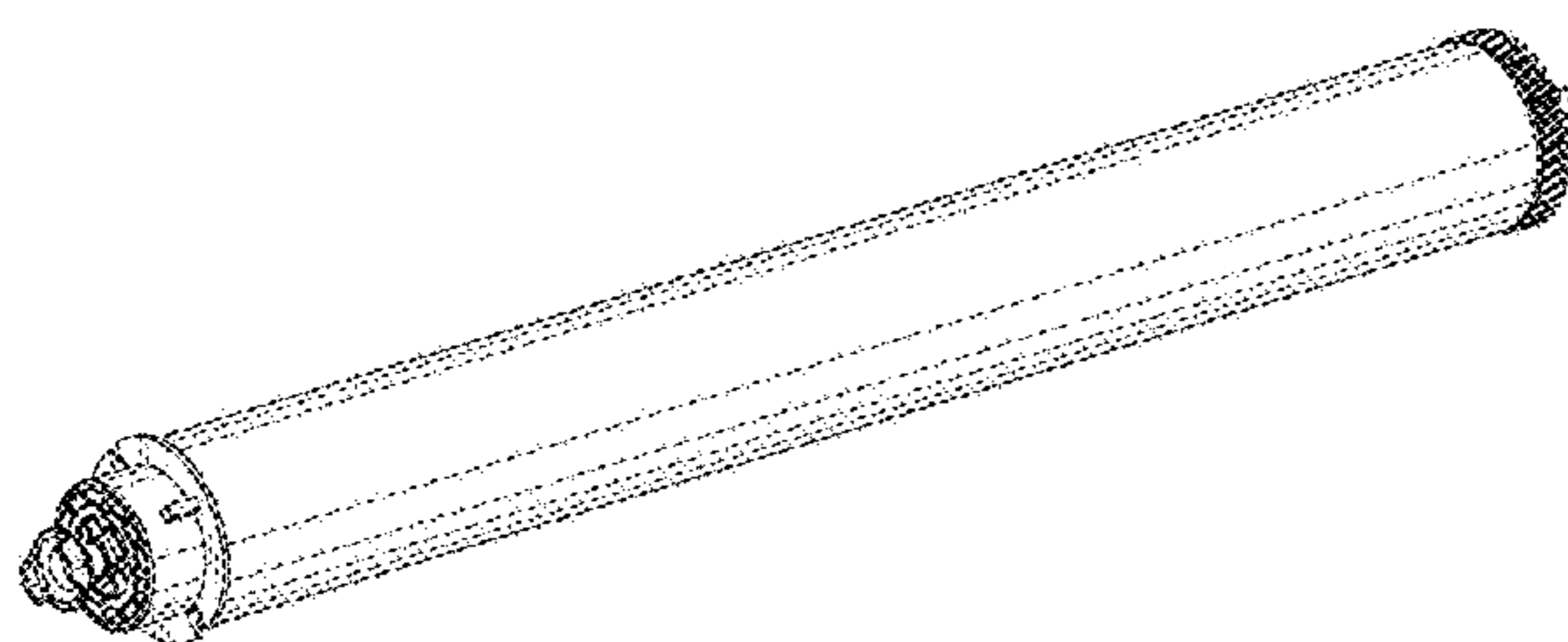
(57) **CLAIM**

The ornamental design for a photosensitive drum for process cartridge for image forming apparatus, as shown and described.

DESCRIPTION

1. Photosensitive drum for process cartridge for image forming apparatus
Fig. 1: Front
Fig. 2: Back
Fig. 3: Top
Fig. 4: Bottom
Fig. 5: Left
Fig. 6: Right
Fig. 7: Perspective
Fig. 8: Perspective
Fig. 9: Enlarged
Fig. 10: Enlarged.
Fig. 9 is an enlarged view of Fig. 5; Fig. 10 is an enlarged view of Fig. 6; the thin lines in the representations represent contours only and do not illustrate ornamentation or decoration on the surface of the product.

1 Claim, 10 Drawing Sheets



(56)

References Cited

U.S. PATENT DOCUMENTS

D595,343 S * 6/2009 Ishikawa G03G 15/0817
D18/43
D614,691 S 4/2010 Abe et al.
D632,731 S 2/2011 Abe et al.
D638,051 S * 5/2011 Sato G03G 21/1814
D18/43
D638,052 S * 5/2011 Sato D18/43
D694,816 S * 12/2013 Fukamachi D18/43
D723,614 S * 3/2015 Shimizu D18/43
9,383,720 B1 * 7/2016 Fukamachi G03G 21/1814
9,651,916 B2 5/2017 Kawakami et al.
2014/0086619 A1 * 3/2014 Itabashi G03G 15/0817
399/103
2016/0223947 A1 * 8/2016 Fukamachi G03G 15/0867
2016/0231695 A1 * 8/2016 Taguchi G03G 21/1803

* cited by examiner

Fig. 1

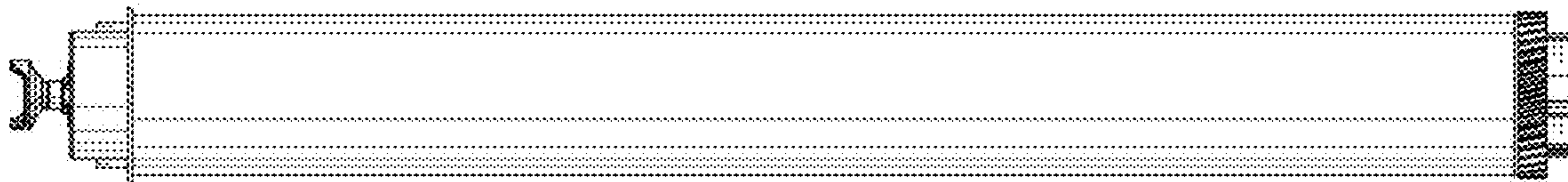


Fig. 2

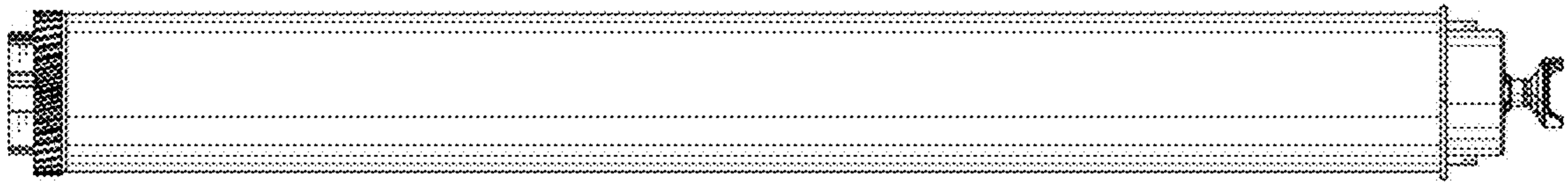


Fig. 3

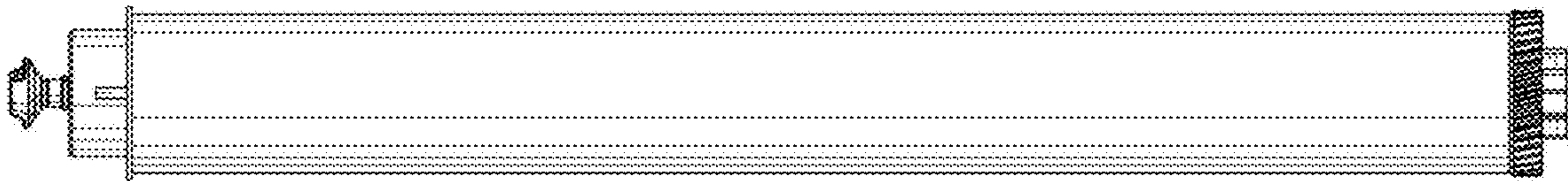


Fig. 4

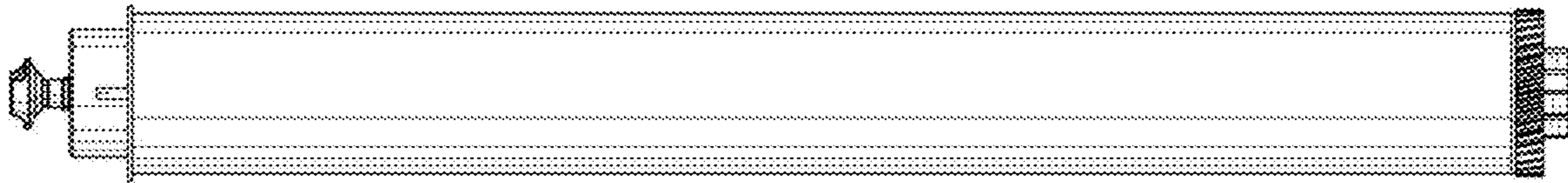


Fig. 5

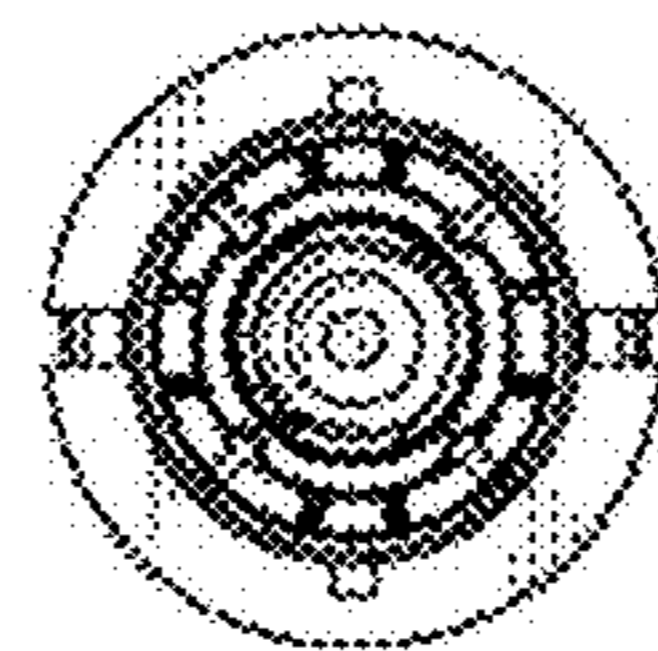


Fig. 6

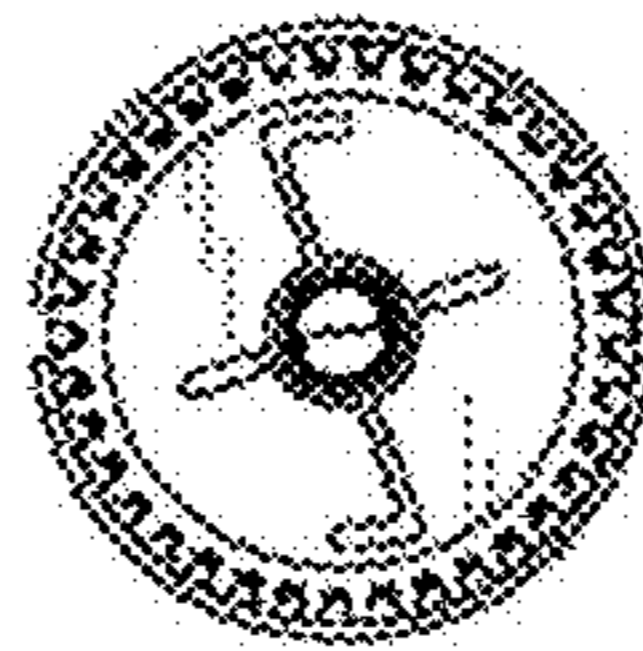


Fig. 7

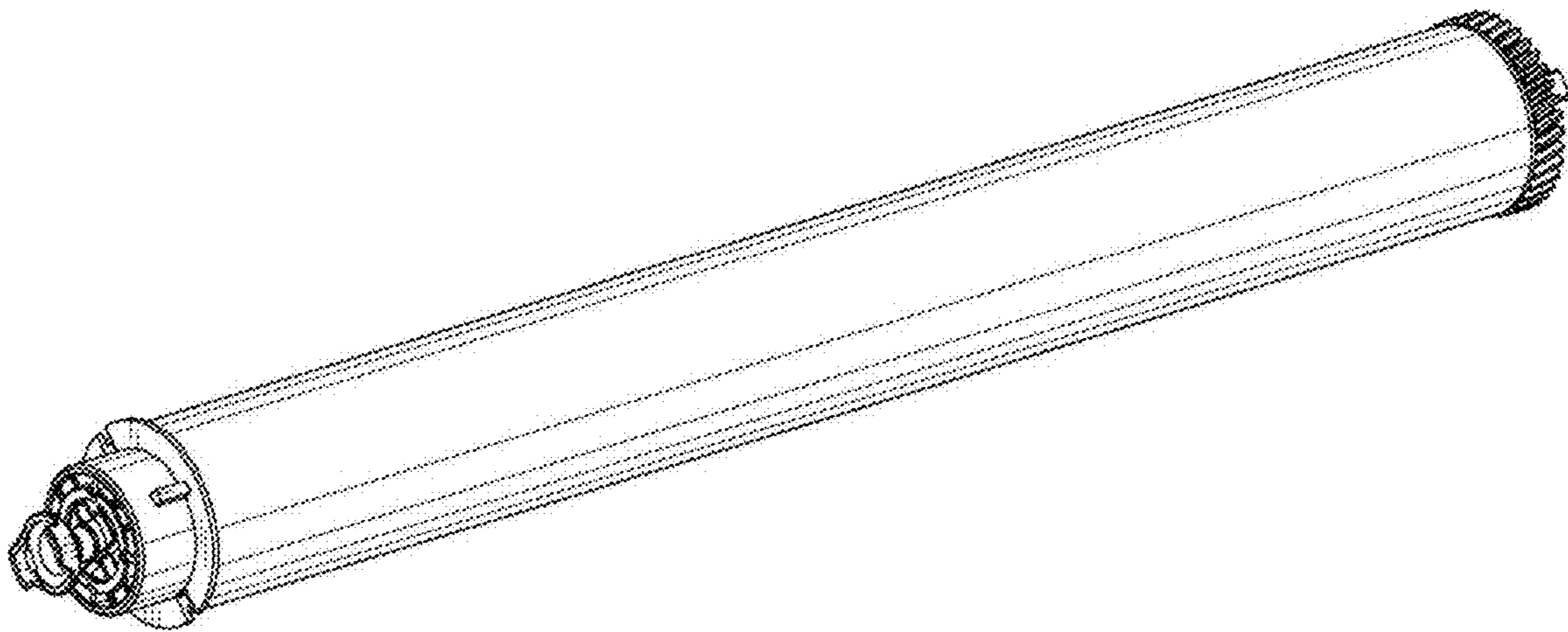


Fig. 8

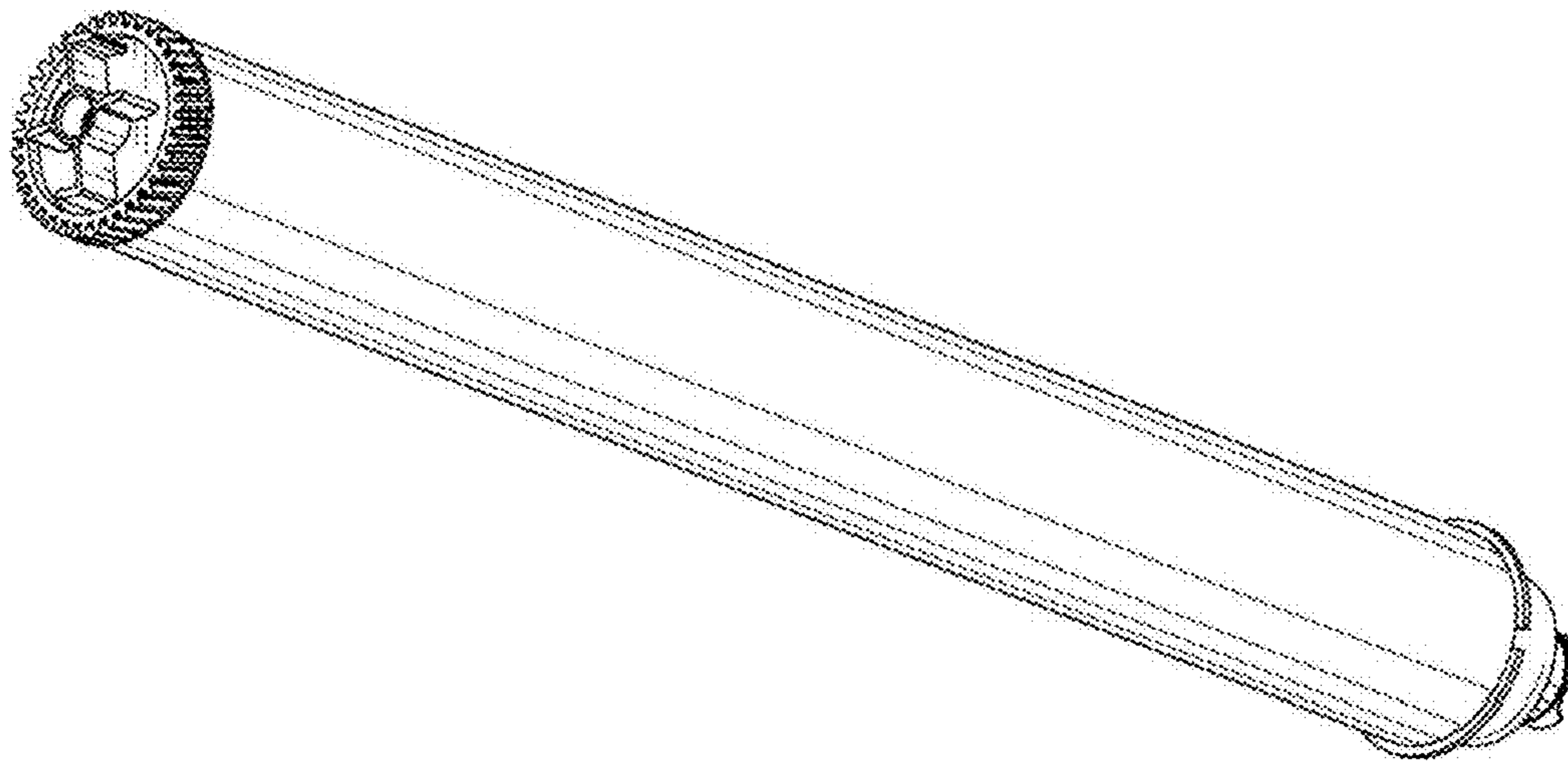


Fig. 9

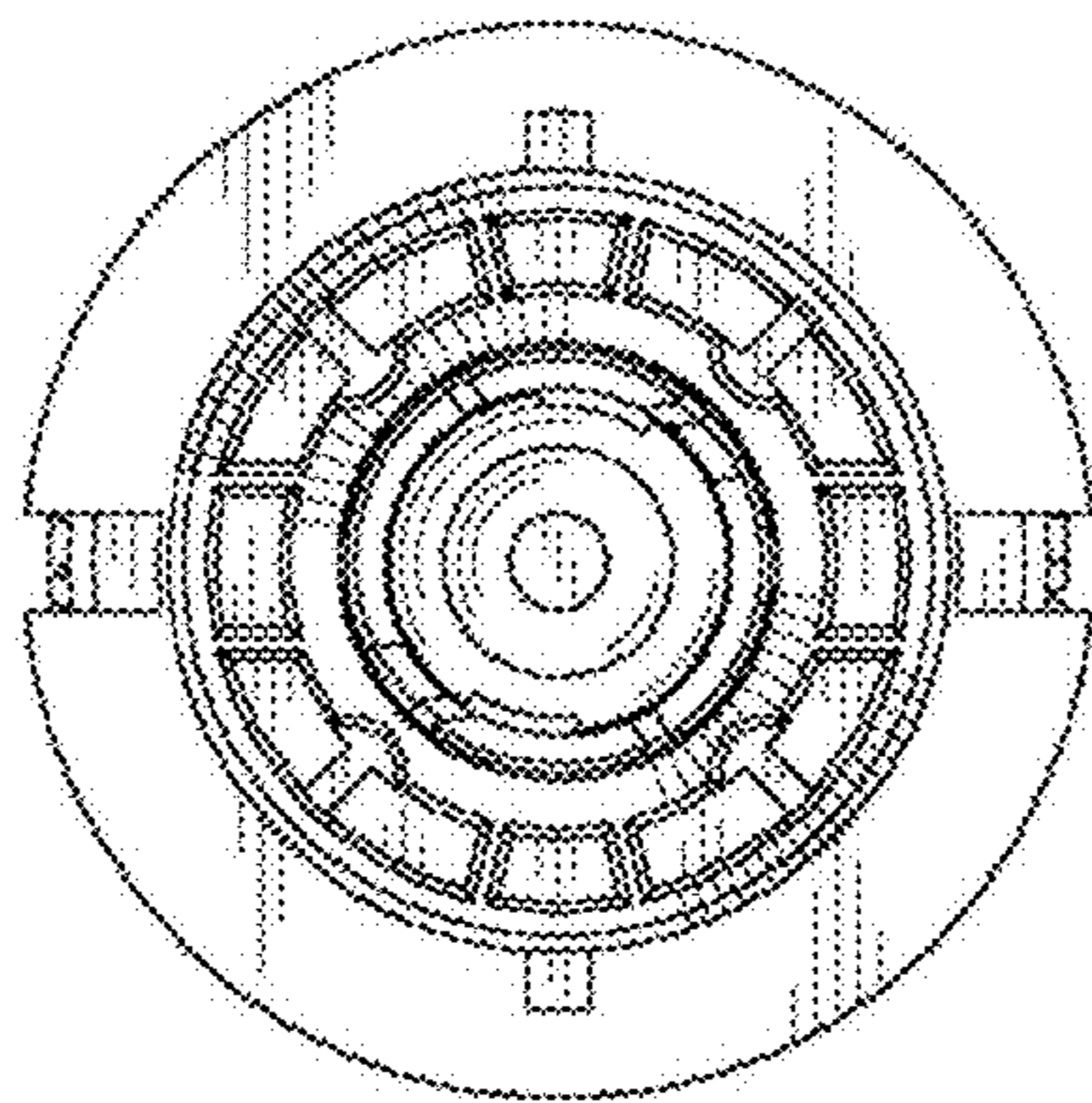


Fig. 10

