

US00D862585S

(12) **United States Design Patent** (10) **Patent No.:** **US D862,585 S**  
**Oguma et al.** (45) **Date of Patent:** **\*\* Oct. 8, 2019**

(54) **SIDE COVER FOR PROCESS CARTRIDGE FOR IMAGE FORMING APPARATUS**

(71) Applicant: **CANON KABUSHIKI KAISHA**, Tokyo (JP)  
(72) Inventors: **Toru Oguma**, Shizuoka-ken (JP); **Naoya Asanuma**, Shizuoka-ken (JP); **Tetsuya Numata**, Shizuoka-ken (JP); **Takuya Kawakami**, Shizuoka-ken (JP); **Yohei Kusano**, Shizuoka-ken (JP); **Daisuke Hiramatsu**, Tokyo (JP); **Takayuki Yada**, Shizuoka-ken (JP); **Takatoshi Hamada**, Shizuoka-ken (JP); **Go Torii**, Shizuoka-ken (JP); **Hiroaki Noshō**, Shizuoka-ken (JP)

(73) Assignee: **Canon Kabushiki Kaisha**, Tokyo (JP)

(\*\*) Term: **15 Years**

(21) Appl. No.: **29/672,797**

(22) Filed: **Dec. 10, 2018**

**Related U.S. Application Data**

(62) Division of application No. 35/503,867, filed on Apr. 26, 2017 (U.S. filing date under 35 U.S.C. 384), and having an international filing date of Apr. 26, 2017.

(30) **Foreign Application Priority Data**

Oct. 31, 2016 (JP) ..... 2016-023600

(51) **LOC (12) Cl.** ..... **16-03**

(52) **U.S. Cl.**  
USPC ..... **D18/43**

(58) **Field of Classification Search**  
USPC ..... D18/40, 43; D14/462, 471  
CPC ..... G03G 21/16; G03G 21/1814; G03G 15/0142; G03G 15/00; B41J 2/17503  
See application file for complete search history.

(56) **References Cited**

U.S. PATENT DOCUMENTS

D614,691	S	4/2010	Abe et al.	
D632,731	S *	2/2011	Abe .....	D18/43
D674,005	S *	1/2013	Teramura .....	D18/43
D674,007	S *	1/2013	Ushikubo .....	D18/43
D693,400	S *	11/2013	Boettcher .....	D18/43
D695,338	S *	12/2013	Boettcher .....	D18/43
D695,820	S *	12/2013	Carter, II .....	D18/43
D723,613	S *	3/2015	Shimizu .....	D18/43
D724,657	S *	3/2015	Shimizu .....	D18/43
9,651,916	B2	5/2017	Kawakami et al.	
D791,866	S *	7/2017	Kamoshida .....	D18/43
D812,680	S *	3/2018	Takiguchi .....	D18/43
D823,380	S *	7/2018	Uratani .....	D18/43

FOREIGN PATENT DOCUMENTS

JP 2016099403 A 5/2016

\* cited by examiner

*Primary Examiner* — Robert M. Spear

(74) *Attorney, Agent, or Firm* — Venable LLP

(57) **CLAIM**

The ornamental design for a side cover for process cartridge for image forming apparatus, as shown and described.

**DESCRIPTION**

- FIG. 1: Front
- FIG. 2: Back
- FIG. 3: Top
- FIG. 4: Bottom
- FIG. 5: Left
- FIG. 6: Right
- FIG. 7: Perspective; and,
- FIG. 8: Perspective.

**1 Claim, 8 Drawing Sheets**

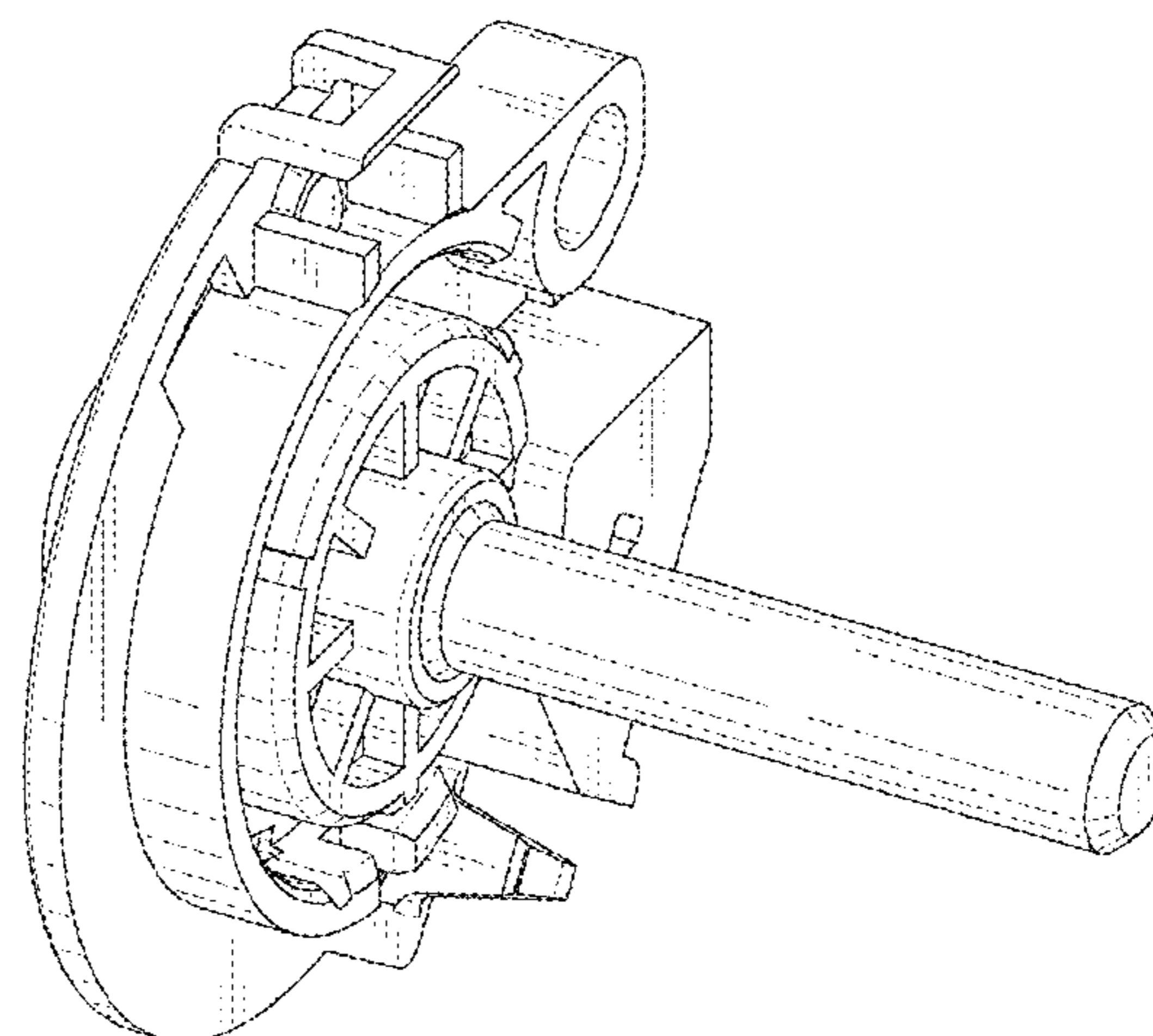
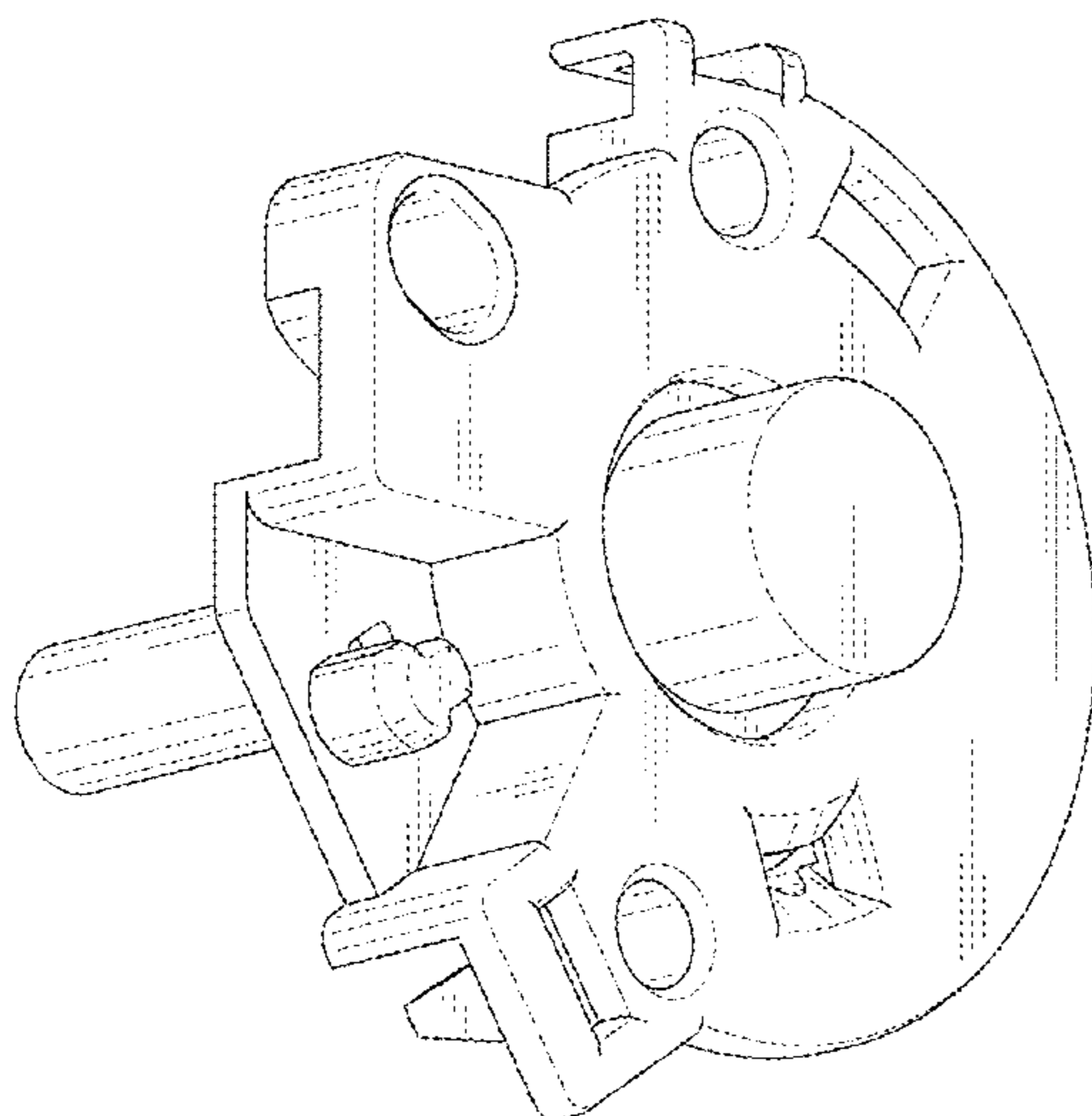


Fig. 1

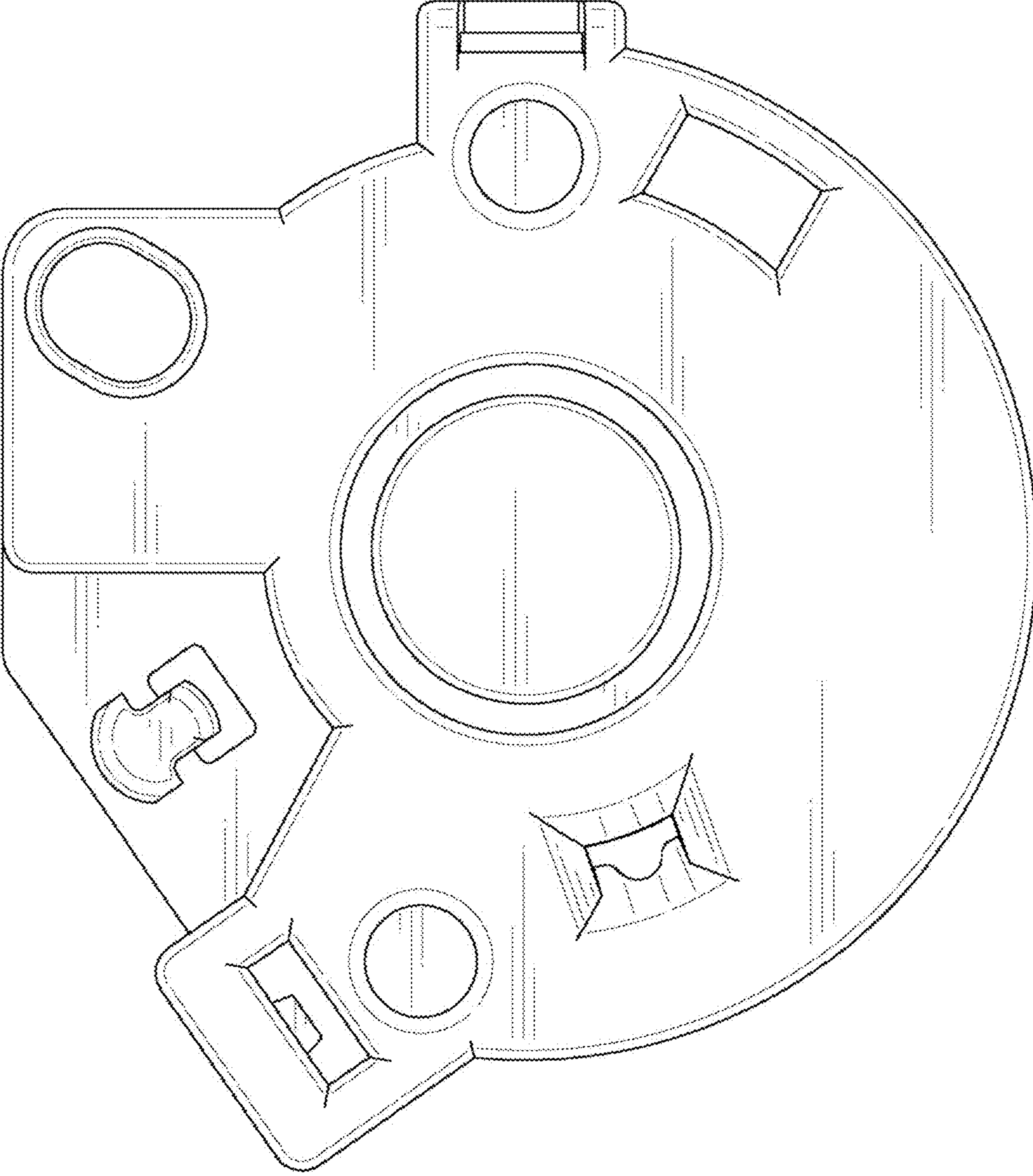


Fig. 2

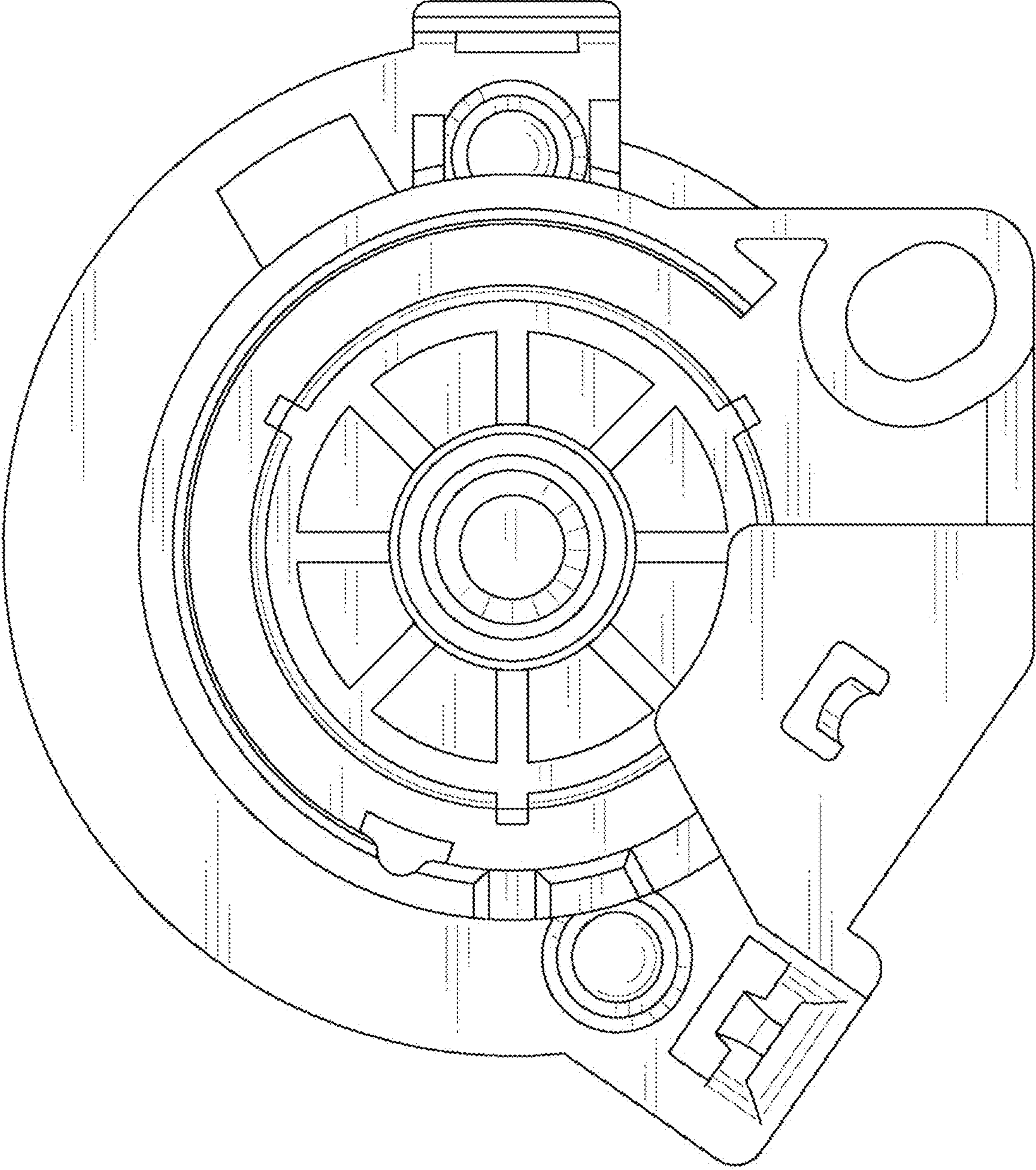


Fig. 3

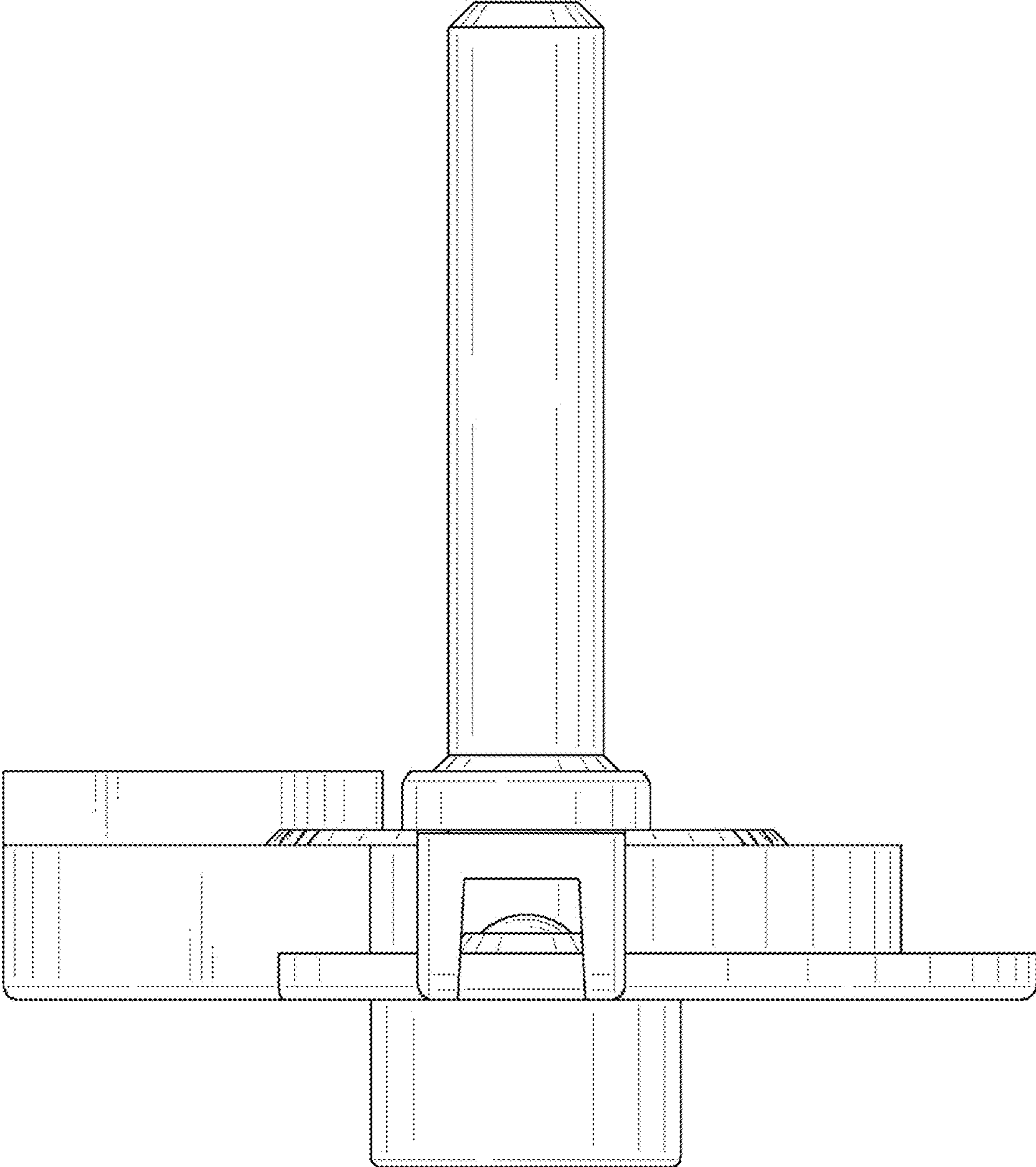


Fig. 4

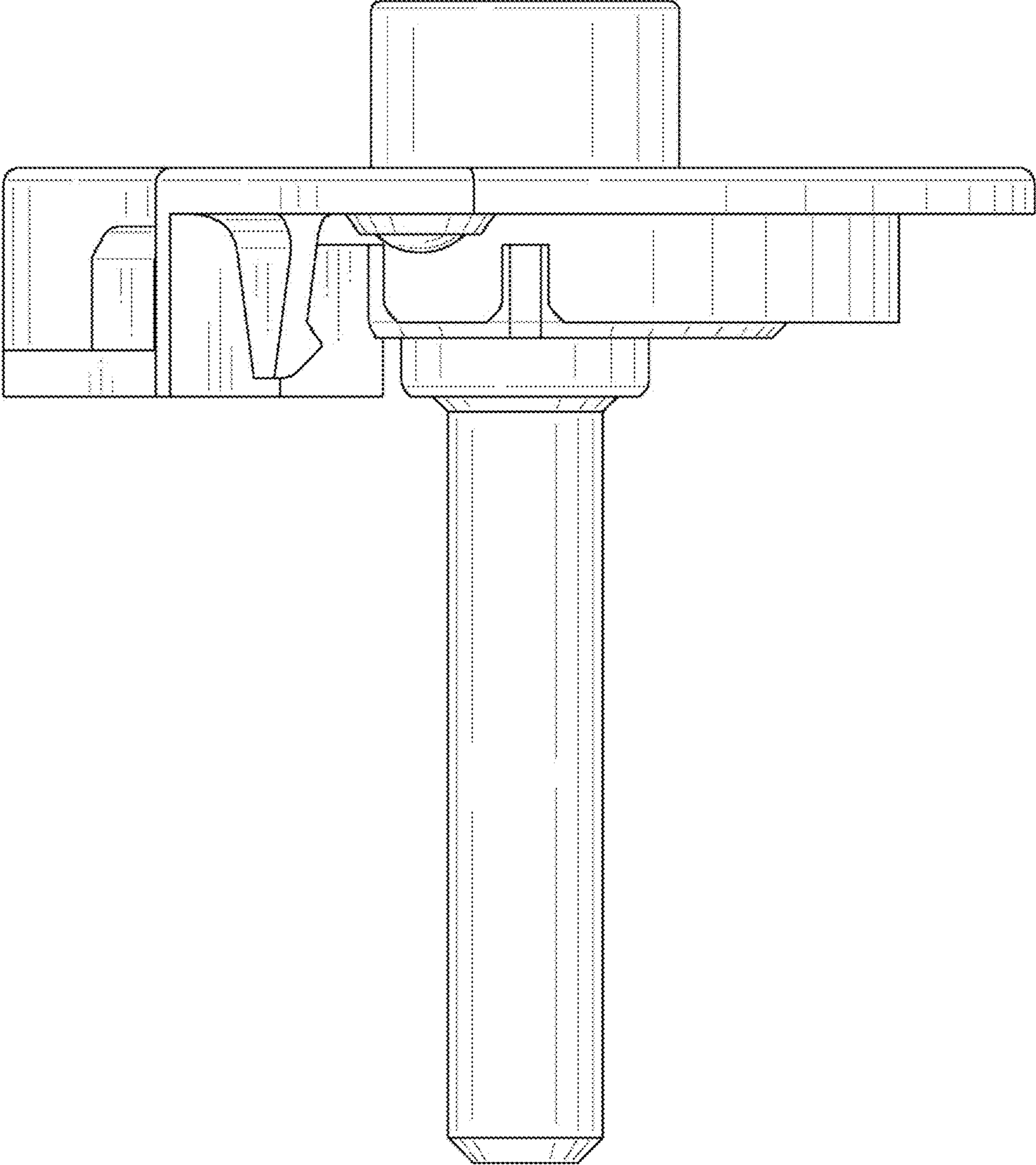


Fig. 5

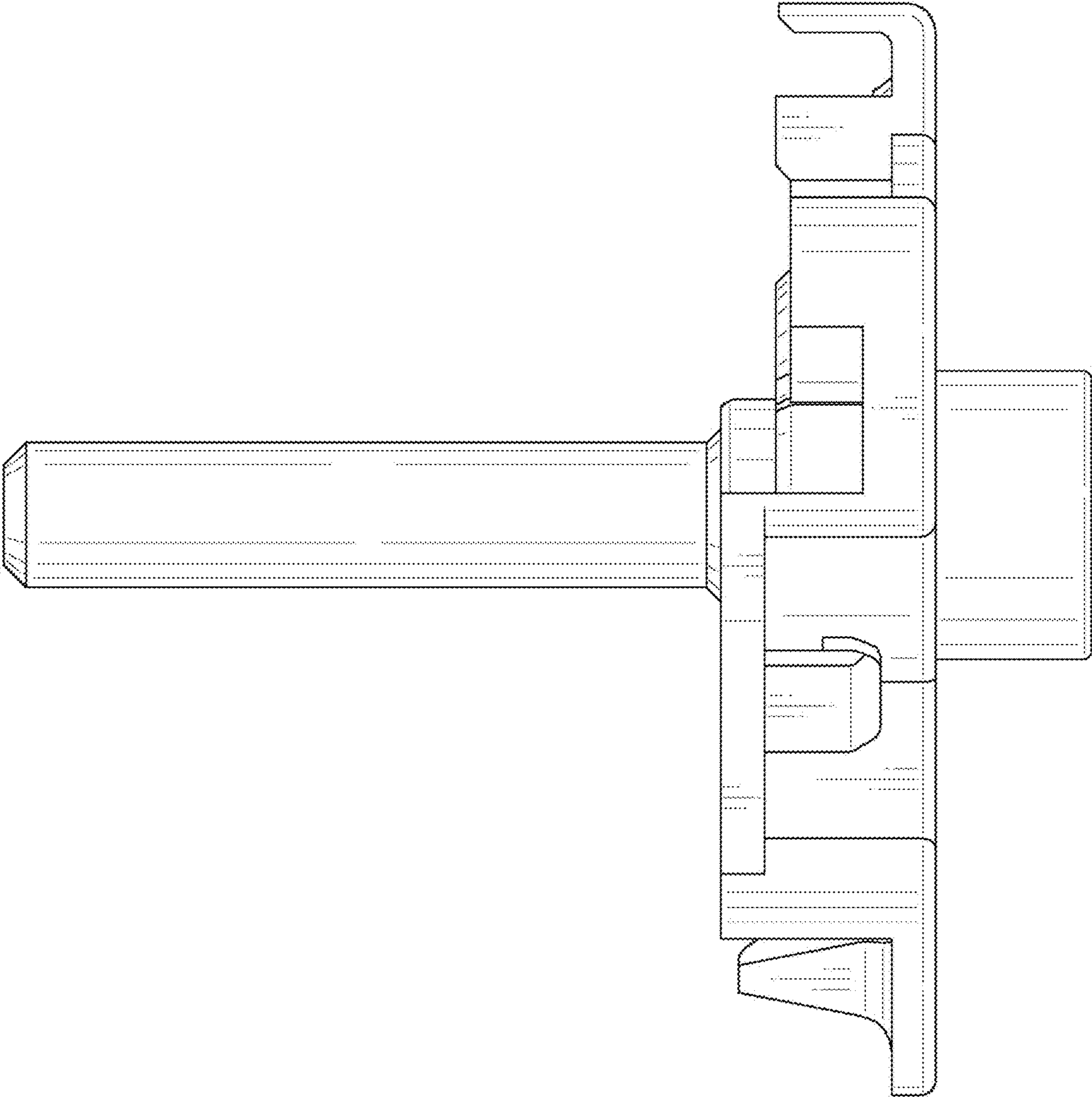


Fig. 6

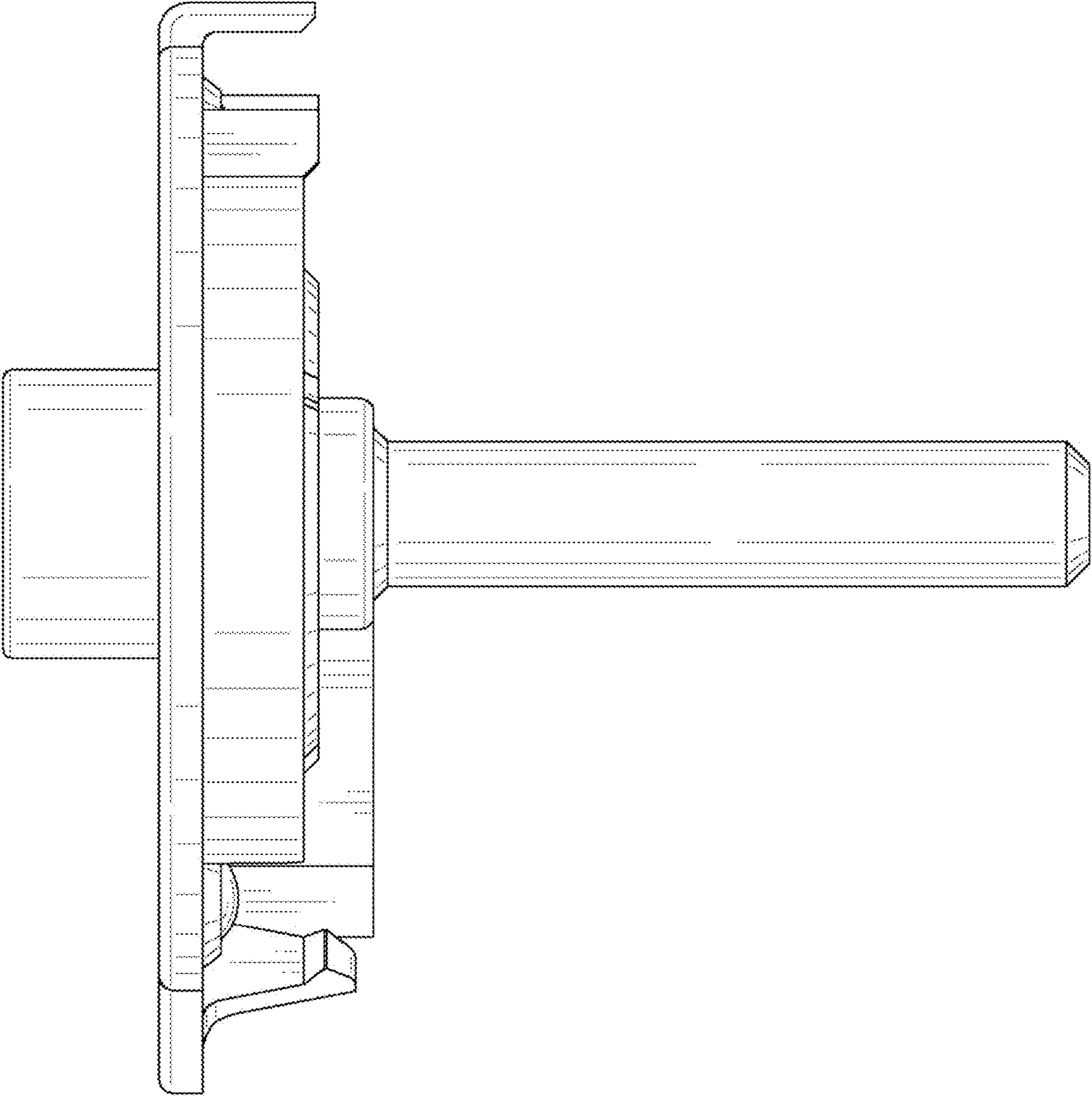


Fig. 7

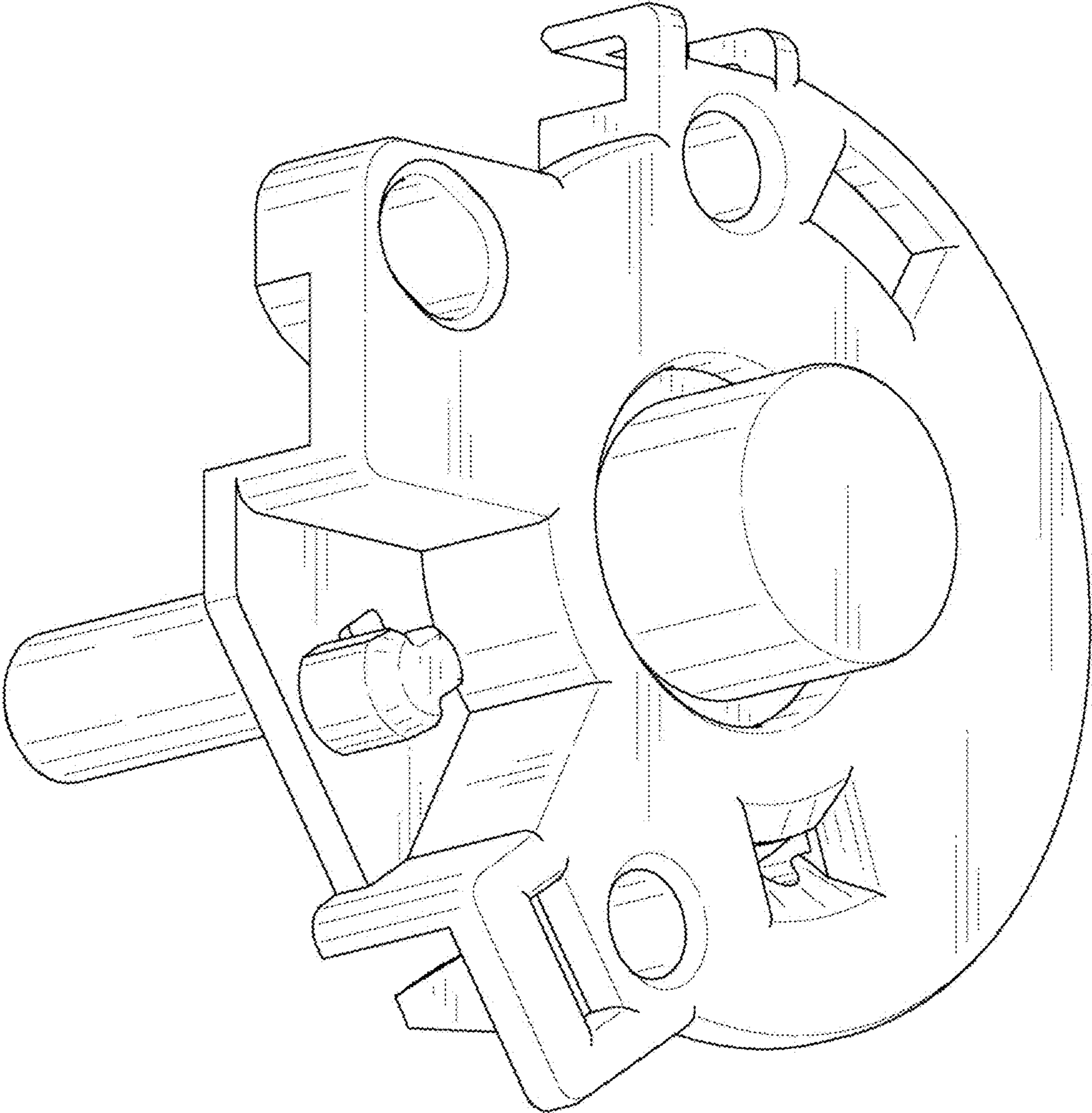




Fig. 8

