



US00D862570S

(12) **United States Design Patent**  
**Frosi**

(10) **Patent No.:** **US D862,570 S**  
(45) **Date of Patent:** **\*\* Oct. 8, 2019**

- (54) **GOGGLES**
- (71) Applicant: **H&H Sports Protection SRL**, Pistoia (IT)
- (72) Inventor: **Massimiliano Frosi**, Soresina (IT)
- (73) Assignee: **H&H Sports Protection SRL**, Pistoia (IT)
- (\*\*) Term: **15 Years**
- (21) Appl. No.: **29/616,244**
- (22) Filed: **Sep. 5, 2017**

- D267,724 S 1/1983 Staller
- D273,819 S \* 5/1984 Yehl ..... D16/312
- D274,181 S 6/1984 Abate et al.
- 4,674,851 A 6/1987 Jannard
- 4,867,550 A 9/1989 Jannard
- 5,018,223 A 5/1991 Dawson et al.
- D346,613 S 5/1994 Simm et al.
- D354,971 S 1/1995 Mugnier

(Continued)

**FOREIGN PATENT DOCUMENTS**

- BR DI7133058 3/2012
- EM 000508767-0001 6/2006

(Continued)

**OTHER PUBLICATIONS**

Fast, Goggles, Transworld Snowboarding, Sep. 2008, 22, 2; Alt-Press Watch.  
Goggles, Transworld Snowboarding, 2009, p. 92, 94.

*Primary Examiner* — Holly E Thurman  
(74) *Attorney, Agent, or Firm* — Lewis Kohn & Walker LLP; Kent M. Walker; Kari Moyer-Henry

(57) **CLAIM**

The ornamental design for goggles, as shown and described.

**DESCRIPTION**

FIG. 1 is a front elevation view of goggles showing the new design;  
FIG. 2 is a perspective view thereof;  
FIG. 3 is a left side view thereof;  
FIG. 4 is a right side view thereof;  
FIG. 5 is a bottom plan view thereof;  
FIG. 6 is a top plan view thereof; and,  
FIG. 7 is a back elevation view thereof.  
The “JUST1” symbol forming part of the claimed design is a registered trademark of H&H Sports Protection.

**1 Claim, 7 Drawing Sheets**

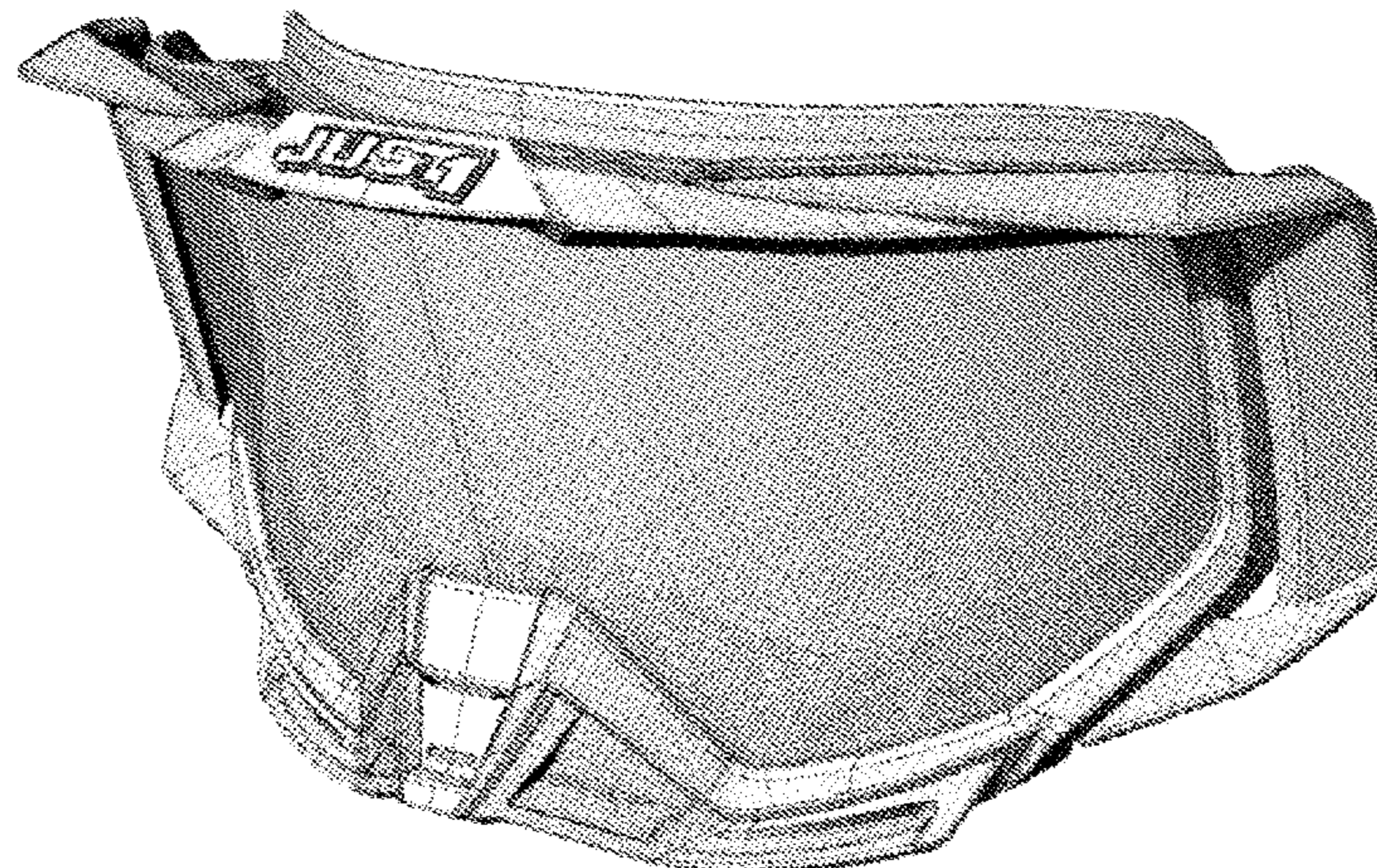
**Related U.S. Application Data**

- (62) Division of application No. 35/500,308, filed on Nov. 6, 2015 (U.S. filing date under 35 U.S.C. 384), and having an international filing date of Nov. 6, 2015, now Pat. No. Des. 800,825.
- (51) **LOC (12) Cl.** ..... **16-06**
- (52) **U.S. Cl.**  
USPC ..... **D16/313**
- (58) **Field of Classification Search**  
USPC ..... D16/100, 341, 338, 323, 309, 336, 326, D16/325, 300, 235, 327, 330, 136, 312, D16/313, 340, 339, 217, 335, 321; D14/330, 206, 372; D24/157, 110.2, 3.3; D29/109  
CPC ..... G02C 11/08; G02C 11/12; G02C 3/003; G02C 3/00; G02C 2200/04; G02C 5/00; G02C 5/124; G02C 5/2263; G02C 9/04; A42B 3/042; A42B 3/20; G02B 23/125  
See application file for complete search history.

(56) **References Cited**

**U.S. PATENT DOCUMENTS**

- 2,296,634 A 9/1942 Fink
- 3,945,044 A 3/1976 McGee et al.



(56)

References Cited

U.S. PATENT DOCUMENTS

D358,159 S 5/1995 Lai  
 D364,181 S 11/1995 Arnette  
 D375,320 S 11/1996 Canavan  
 D390,248 S 2/1998 Pranger  
 D405,102 S 2/1999 Moritz  
 D428,039 S 7/2000 Thixton  
 6,138,286 A 10/2000 Robrahn et al.  
 D439,596 S 3/2001 Bolle  
 D442,206 S 5/2001 Meyerhoffer  
 6,237,147 B1 5/2001 Brockman  
 6,491,390 B1 12/2002 Provost  
 D477,010 S 7/2003 Moritz  
 6,637,038 B1 10/2003 Hussey  
 6,904,619 B2 6/2005 Kuo  
 7,137,153 B2 11/2006 Hussey  
 D537,098 S 2/2007 Sheldon et al.  
 D538,834 S 3/2007 Mangum  
 D542,327 S 5/2007 Hsu  
 D550,749 S 9/2007 Chiang  
 D556,811 S 12/2007 Bruck  
 D559,299 S 1/2008 Tabacchi  
 D578,562 S 10/2008 Moritz  
 D581,964 S 12/2008 Hooper et al.  
 D592,694 S 5/2009 Fuchs  
 D595,331 S \* 6/2009 Mentasti ..... D16/312  
 D598,040 S 8/2009 Sheldon  
 D616,483 S 5/2010 Moritz  
 D616,914 S 6/2010 Moritz  
 D616,915 S 6/2010 Silveria et al.  
 D626,166 S 10/2010 Yang  
 D629,442 S 12/2010 Tominaga  
 D633,937 S 3/2011 Yasuhara et al.  
 D640,724 S \* 6/2011 Goodman ..... D16/312  
 D649,178 S 11/2011 Moritz et al.  
 D649,577 S 11/2011 Goodman  
 D678,932 S 3/2013 Moritz et al.  
 D685,407 S 7/2013 Lin et al.  
 D687,479 S 8/2013 Moritz

D687,881 S \* 8/2013 Ginther ..... D16/312  
 D694,312 S 11/2013 Mage  
 D695,335 S \* 12/2013 Goodman ..... D16/312  
 D711,960 S 8/2014 Mage et al.  
 8,800,067 B2 8/2014 Saylor et al.  
 D714,378 S 9/2014 Sandor  
 D727,398 S \* 4/2015 Blanchard ..... D16/312  
 9,009,874 B2 4/2015 McNeal  
 D728,665 S 5/2015 Chen  
 D747,758 S 1/2016 Lee  
 D761,344 S 7/2016 Chen  
 D765,758 S 9/2016 Li  
 D765,759 S 9/2016 Li  
 9,895,266 B2 \* 2/2018 Reynolds ..... A61F 9/025  
 D828,866 S \* 9/2018 Yoo ..... D16/313  
 D837,873 S \* 1/2019 Lussier ..... D16/330  
 2006/0272078 A1 12/2006 Polinelli et al.  
 2007/0033716 A1 \* 2/2007 Dondero ..... A61F 9/025  
 2/426  
 2008/0189838 A1 8/2008 Mage  
 2009/0019620 A1 1/2009 Reed  
 2009/0038059 A1 2/2009 McNeal  
 2009/0307828 A1 12/2009 Ludlow  
 2010/0283956 A1 11/2010 Jackson et al.  
 2011/0113535 A1 5/2011 Lebel et al.  
 2012/0255104 A1 \* 10/2012 Didier ..... A61F 9/025  
 2/426  
 2012/0324638 A1 \* 12/2012 Tobia ..... A61F 9/02  
 2/439  
 2013/0014316 A1 1/2013 Castro et al.  
 2013/0019387 A1 1/2013 McNeal  
 2014/0157496 A1 \* 6/2014 Ginther ..... A61F 9/025  
 2/439

FOREIGN PATENT DOCUMENTS

EM 001053268-0001 1/2009  
 EM 001934860-0004 10/2011

\* cited by examiner

Fig. 1

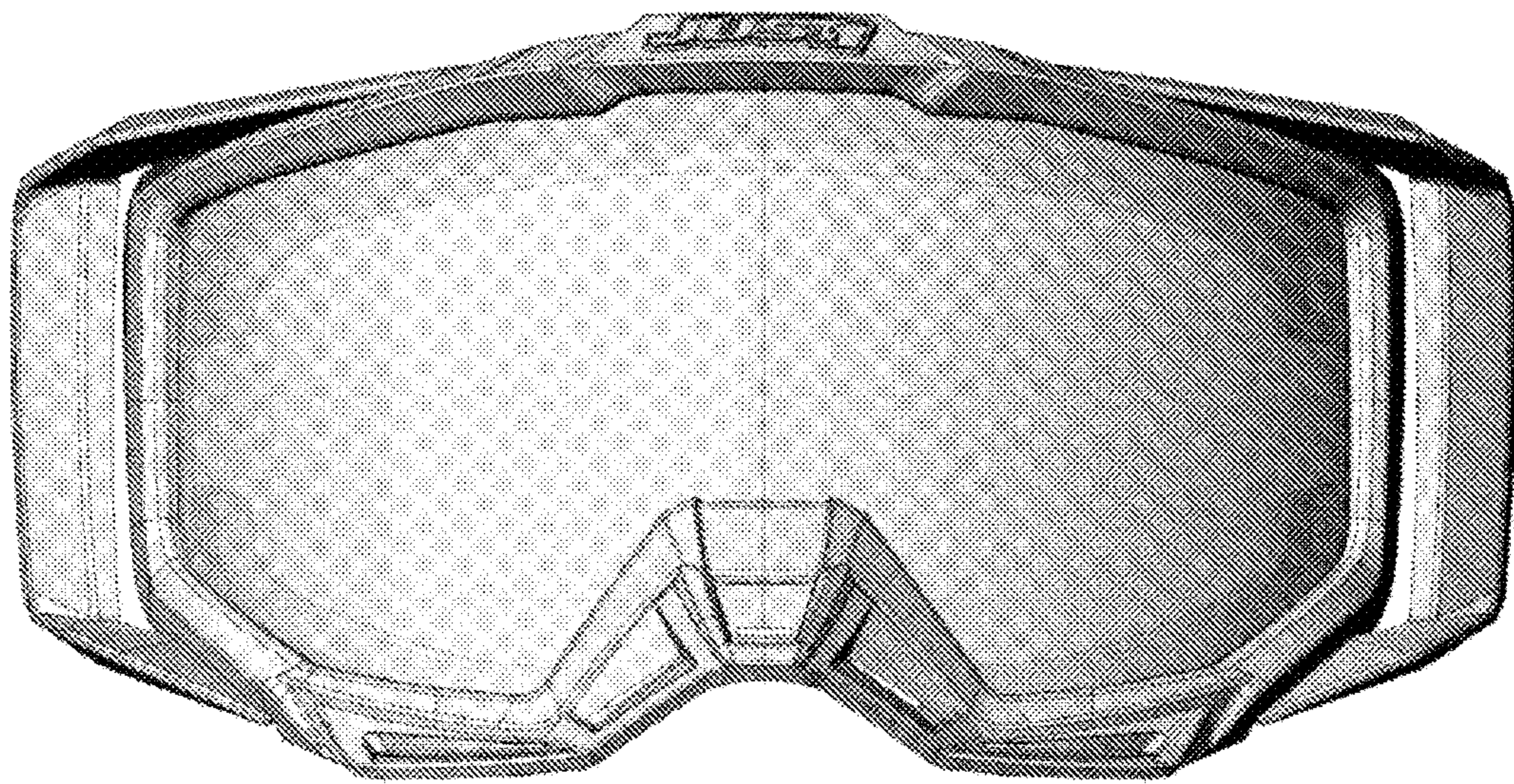


Fig. 2

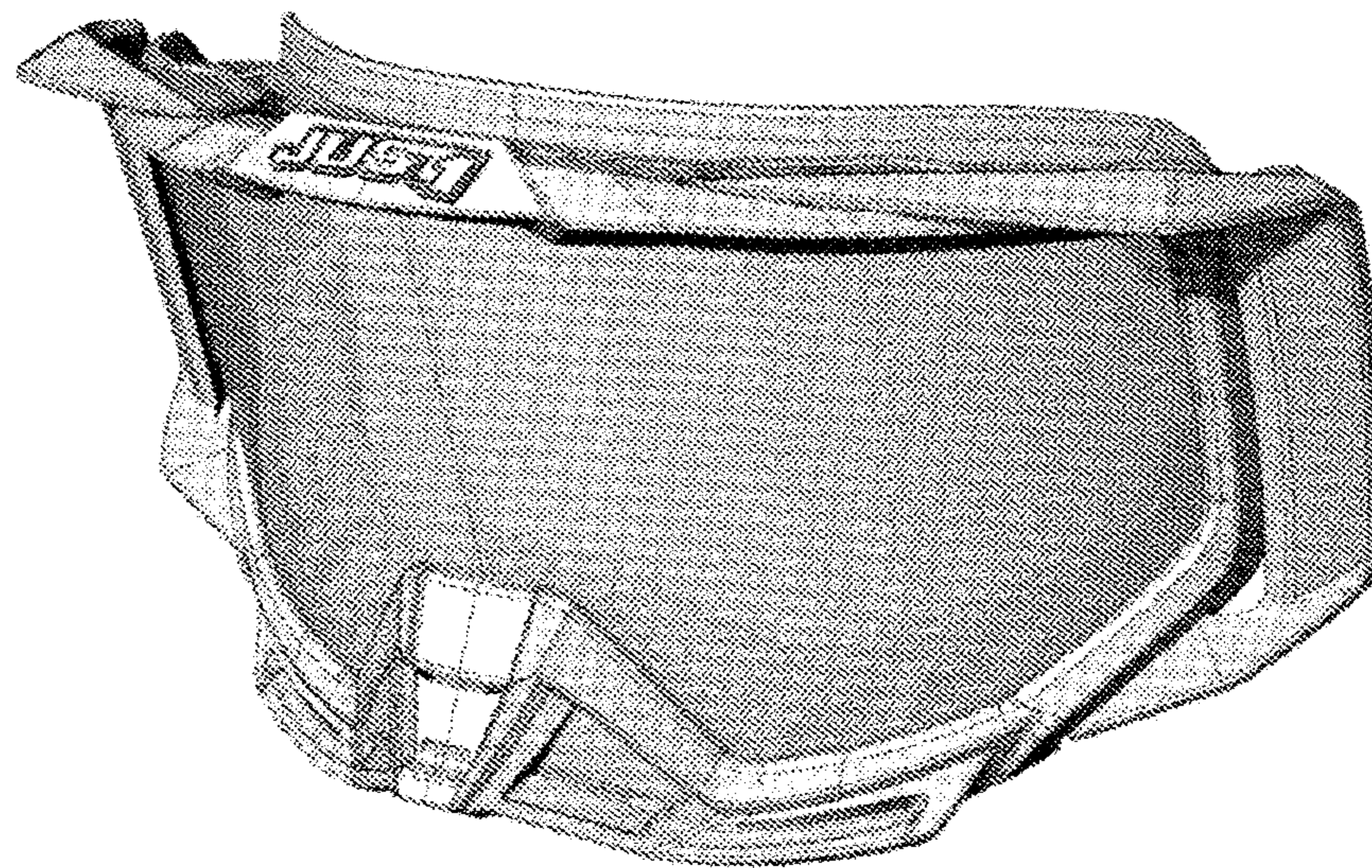


Fig. 3

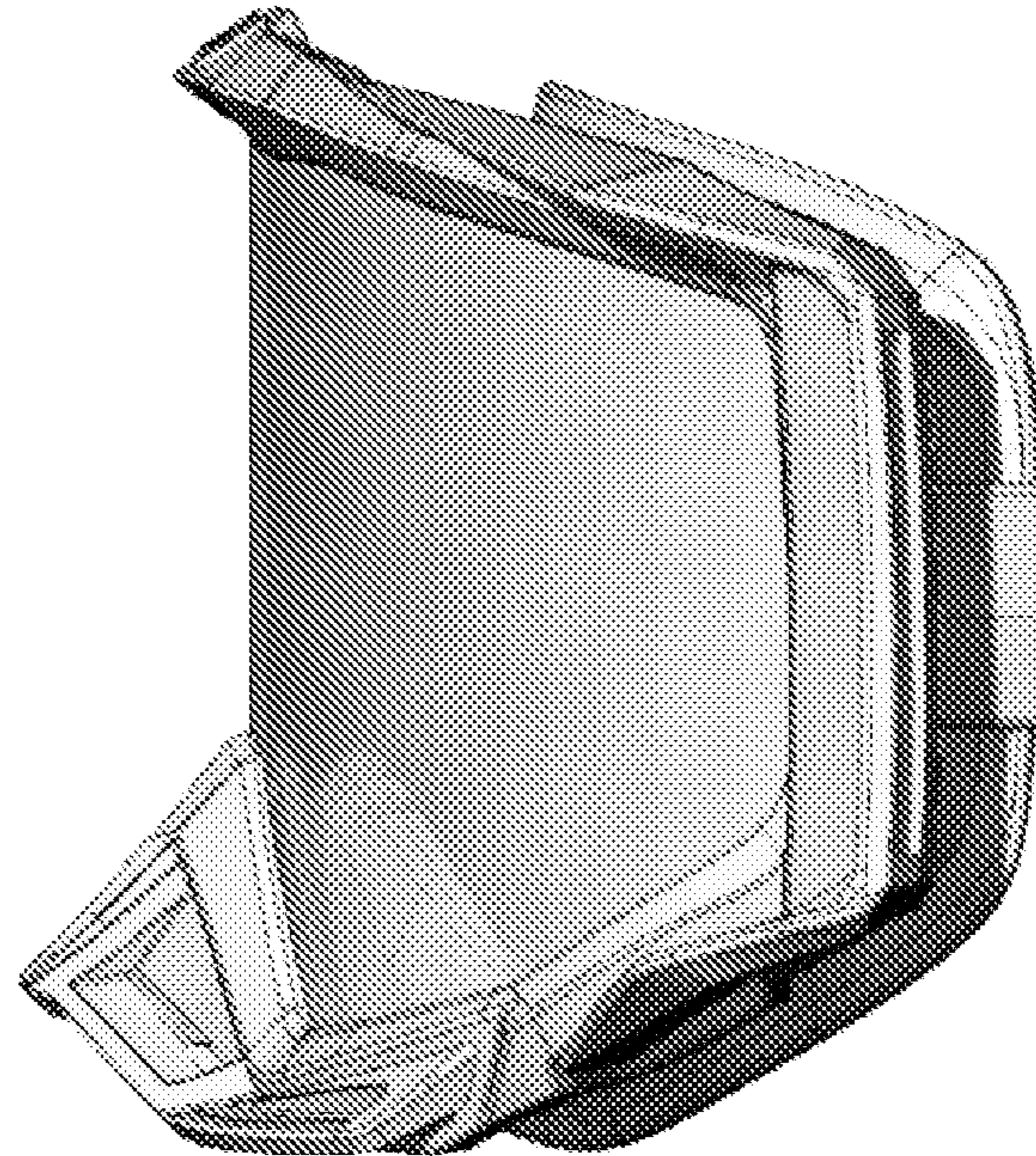


Fig. 4

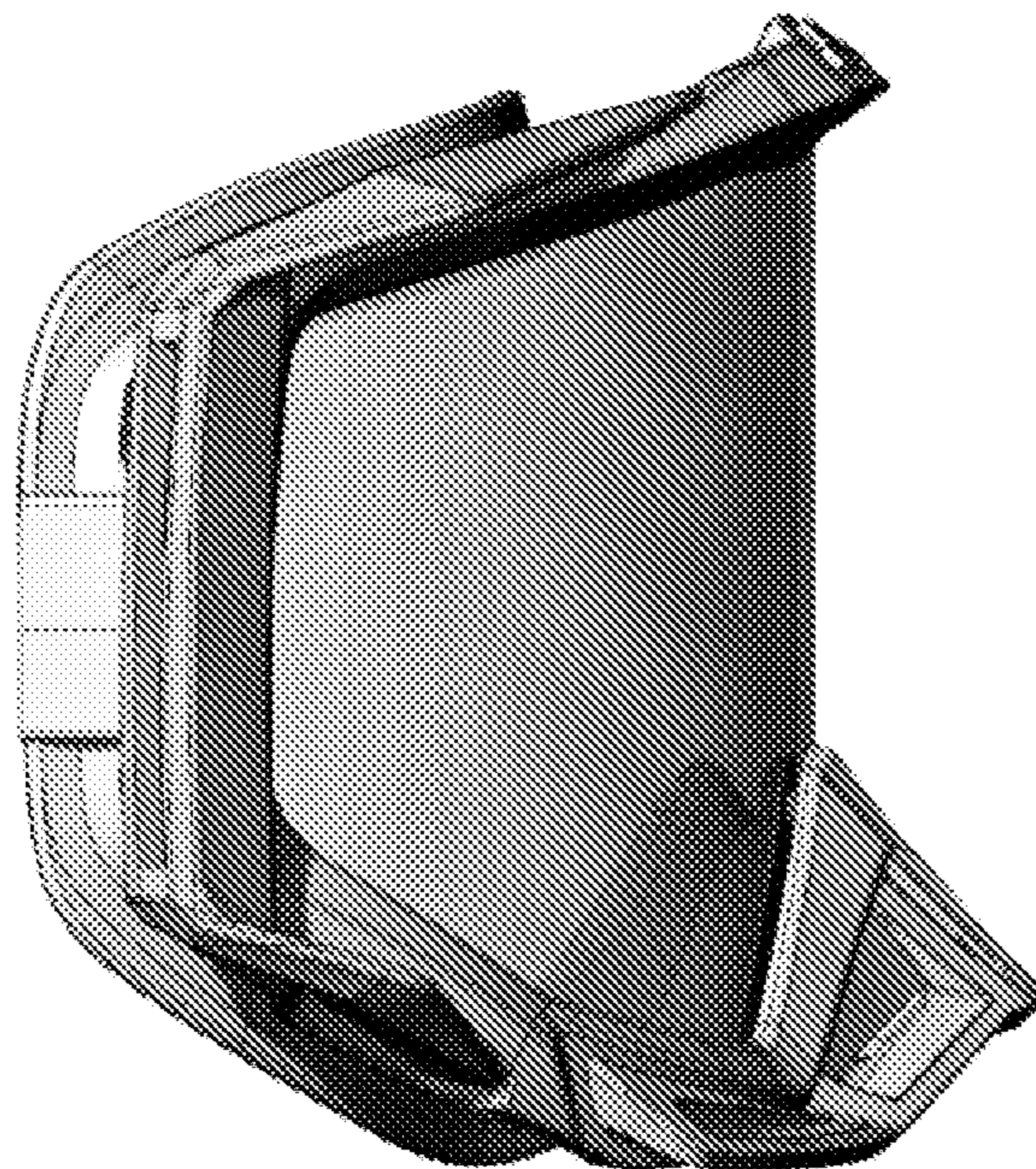


Fig. 5

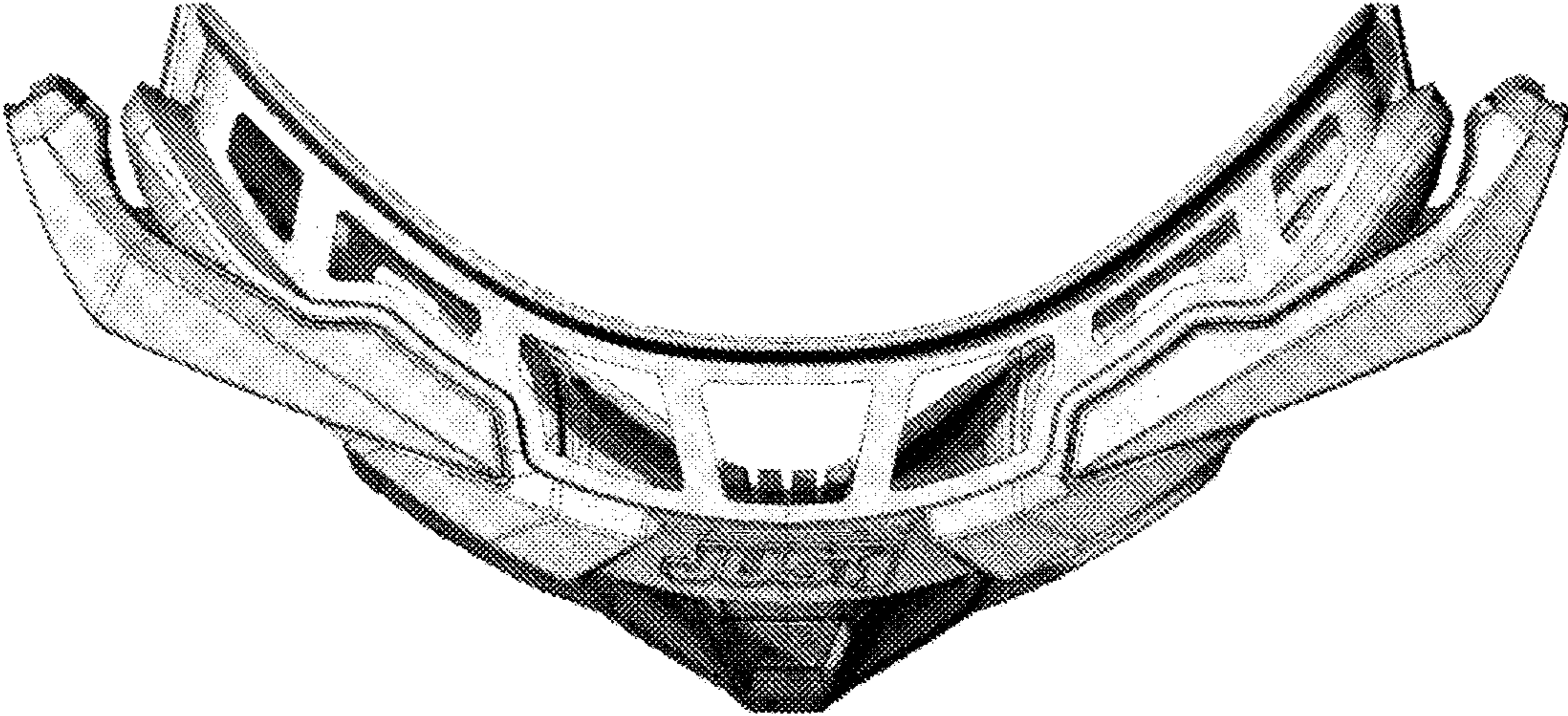


Fig. 6

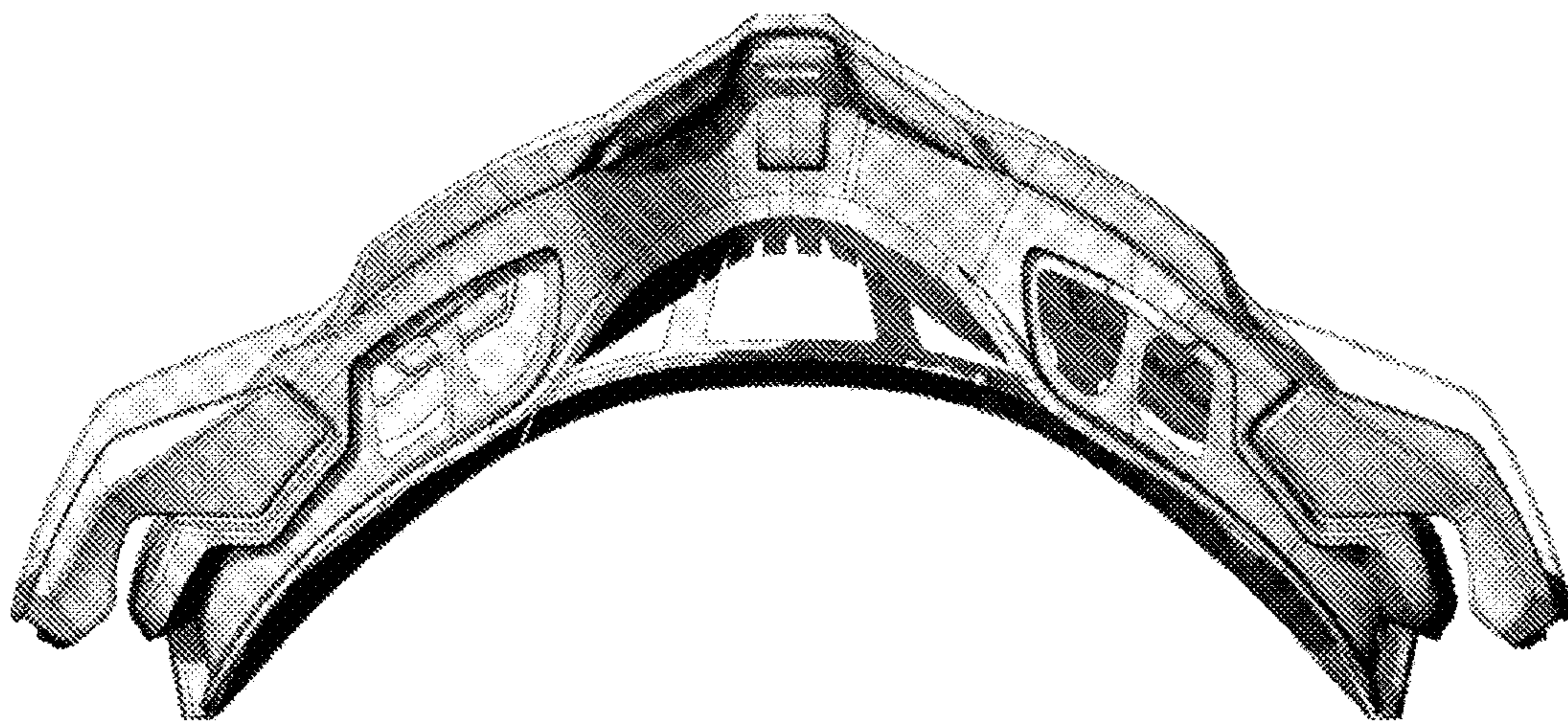




Fig. 7

