



US00D862566S

(12) **United States Design Patent** (10) **Patent No.:** **US D862,566 S**
Fahlborg (45) **Date of Patent:** **** Oct. 8, 2019**

(54) **STAND FOR PHOTOGRAPHIC FLASH**

(71) Applicant: **PROFOTO AKTIEBOLAG,**
Sundbyberg (SE)

(72) Inventor: **Philip Fahlborg,** Nacka (SE)

(**) Term: **15 Years**

(21) Appl. No.: **35/504,659**

(22) Filed: **Sep. 18, 2017**

(80) **Hague Agreement Data**

Int. Filing Date: **Sep. 18, 2017**
 Int. Reg. No.: **DM/099152**
 Int. Reg. Date: **Sep. 18, 2017**
 Int. Reg. Pub. Date: **Mar. 23, 2018**

(51) **LOC (12) Cl.** **16-05**

(52) **U.S. Cl.**
USPC **D16/237**

(58) **Field of Classification Search**
 USPC D16/134, 136, 200, 204, 208, 213–219,
 D16/235, 237–250
 CPC G02B 7/04
 See application file for complete search history.

(56) **References Cited**

U.S. PATENT DOCUMENTS

D483,789 S * 12/2003 Dordick D16/242
 D675,242 S * 1/2013 O'Donnell D16/242

D763,237 S * 8/2016 Behar D14/239
 D780,824 S * 3/2017 Li D14/434
 D800,820 S * 10/2017 Bergman D16/237
 D819,116 S * 5/2018 Paterson D16/242
 D828,432 S * 9/2018 Luo D16/237
 D831,099 S * 10/2018 Paterson D16/243
 D837,867 S * 1/2019 Martin D16/242

* cited by examiner

Primary Examiner — Holly E Thurman

(74) *Attorney, Agent, or Firm* — Cowan, Liebowitz & Latman, P.C.

(57) **CLAIM**

The ornamental design for a stand for photographic flash, as shown and described.

DESCRIPTION

1. Stand for flash apparatus

1.1 : Perspective;

1.2 : Top;

1.3 : Right;

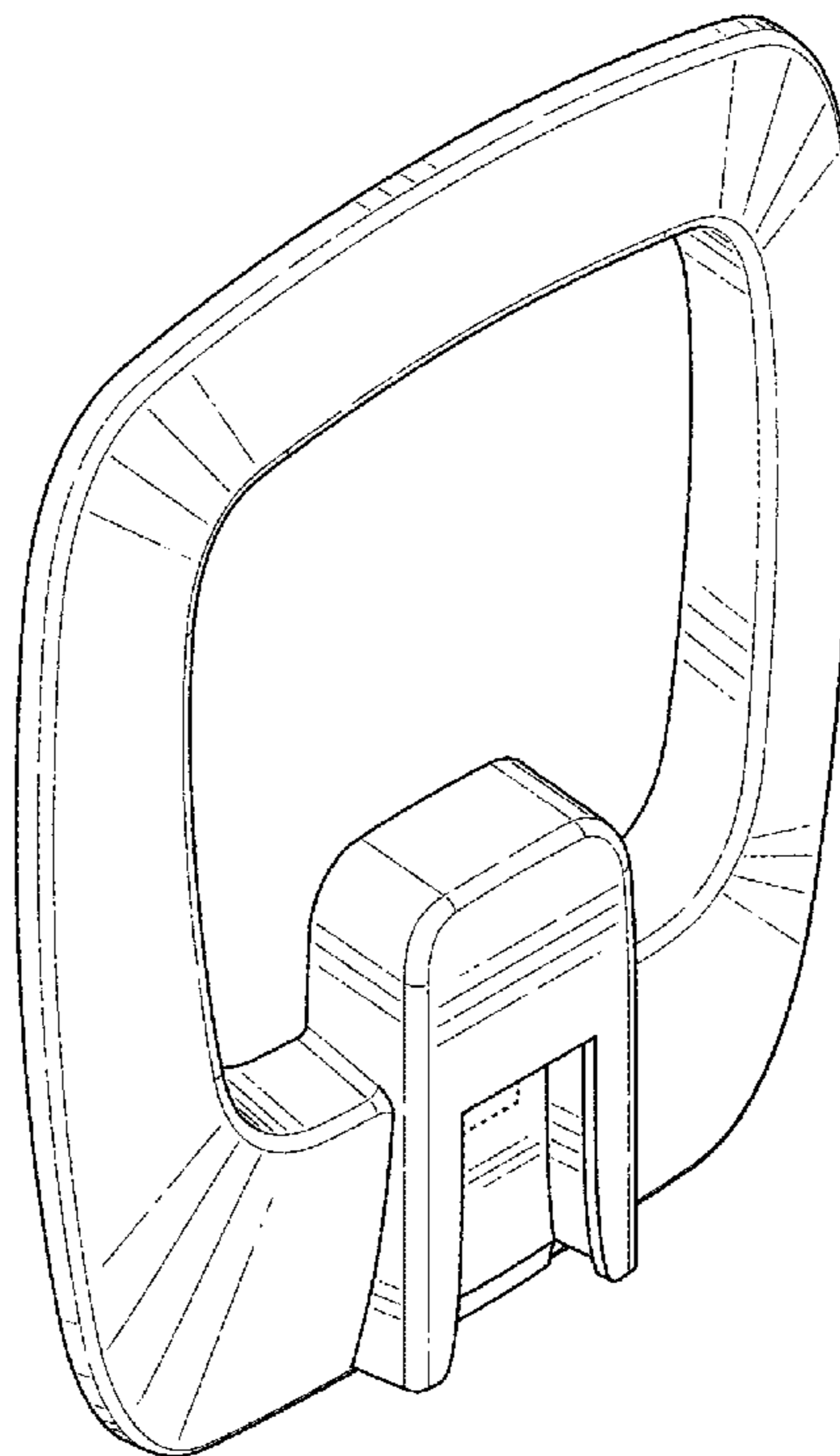
1.4 : Left;

1.5 : Front;

1.6 : Back.

Portions of the stand for photographic flash shown in broken lines form no part of the claimed design.

1 Claim, 4 Drawing Sheets



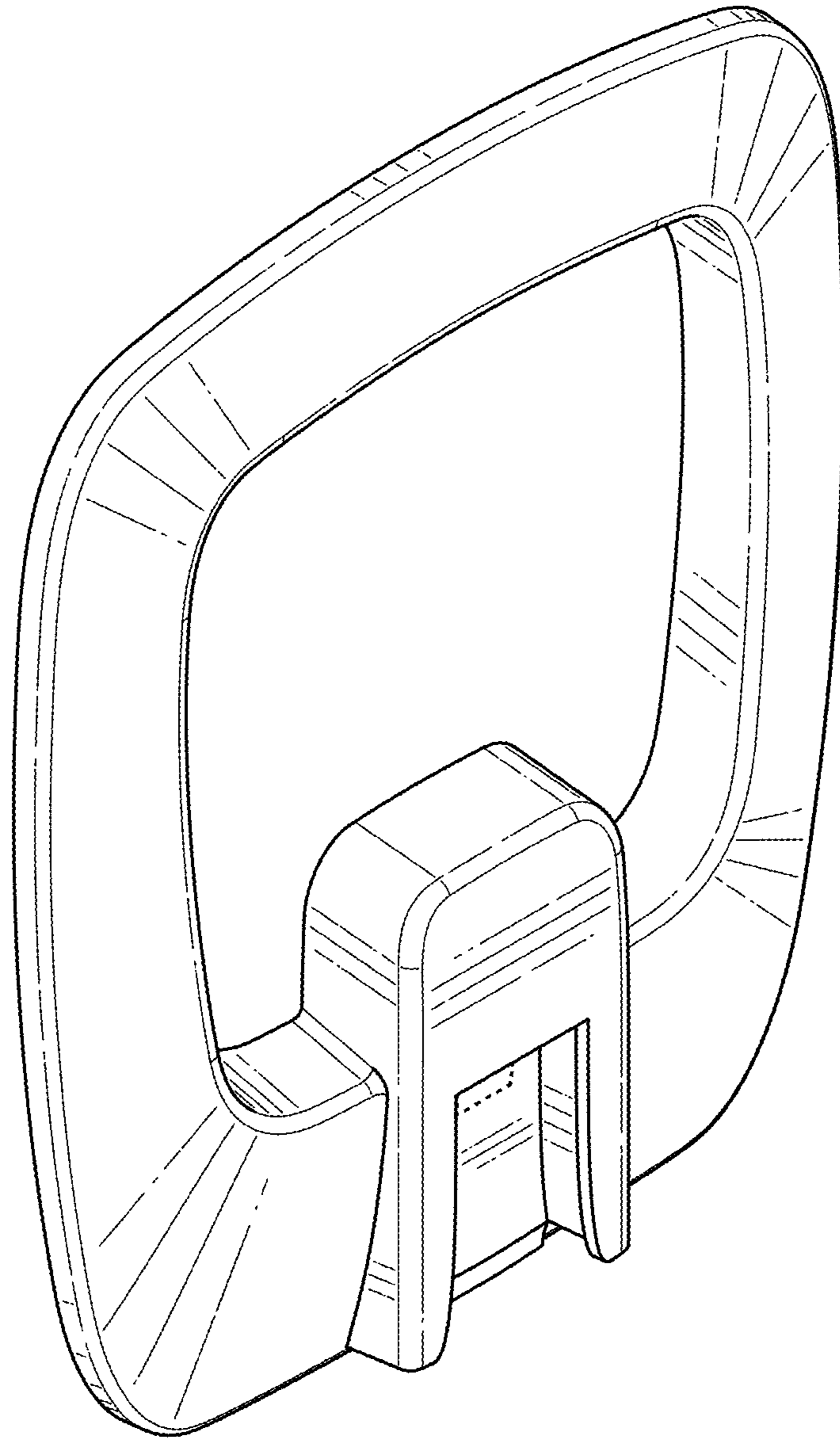


FIG. 1.1

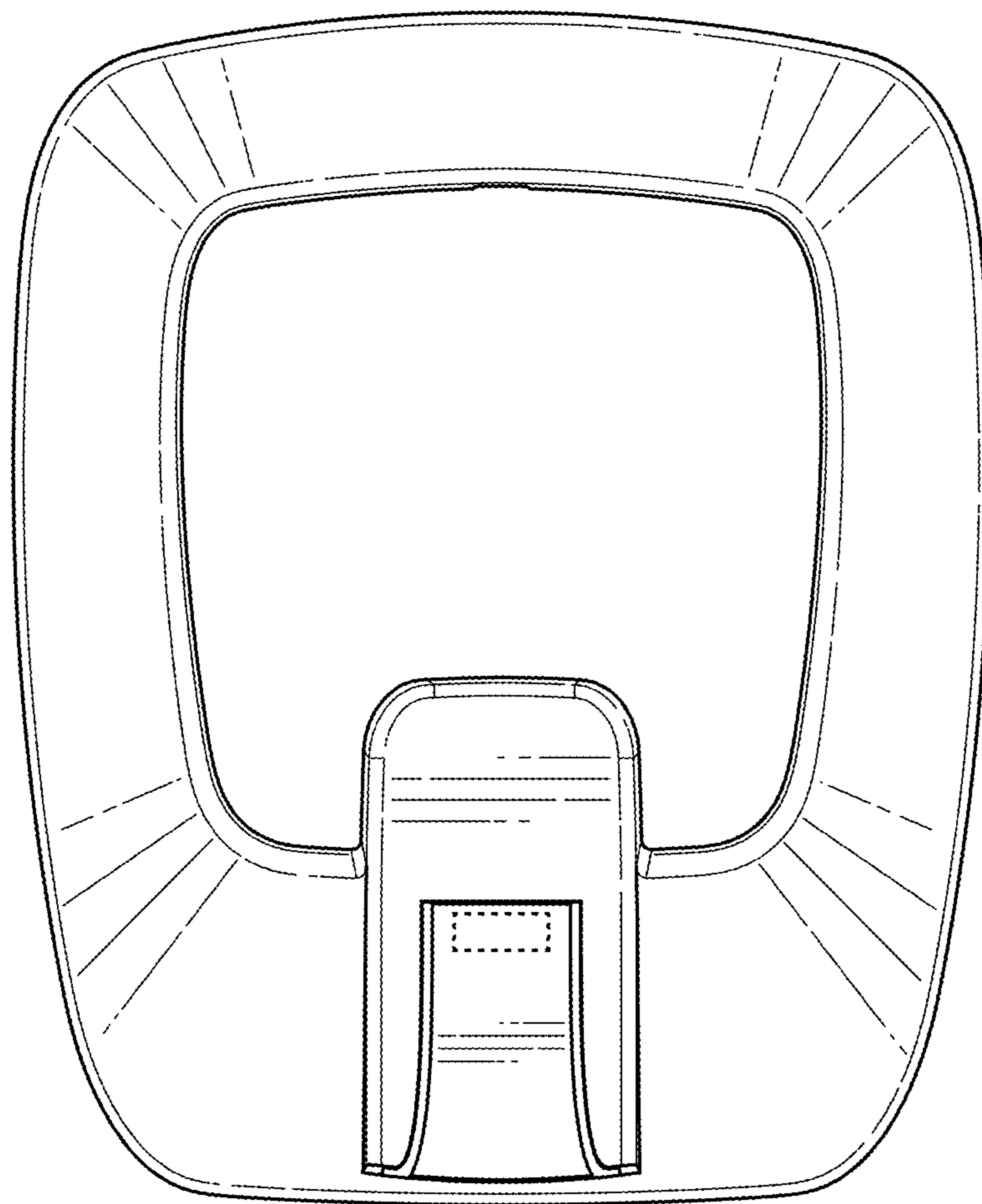


FIG. 1.2

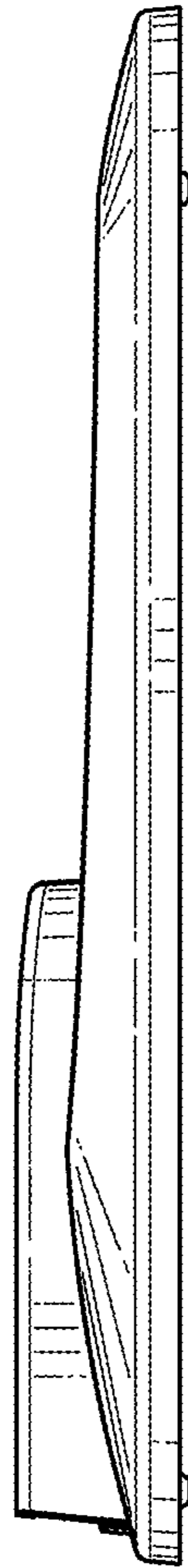


FIG. 1.3

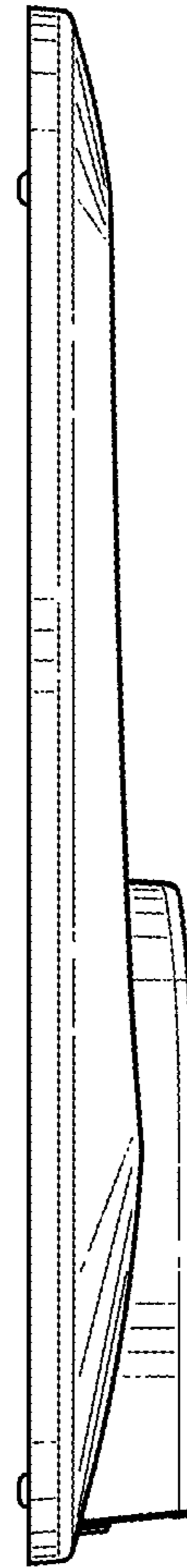


FIG. 1.4

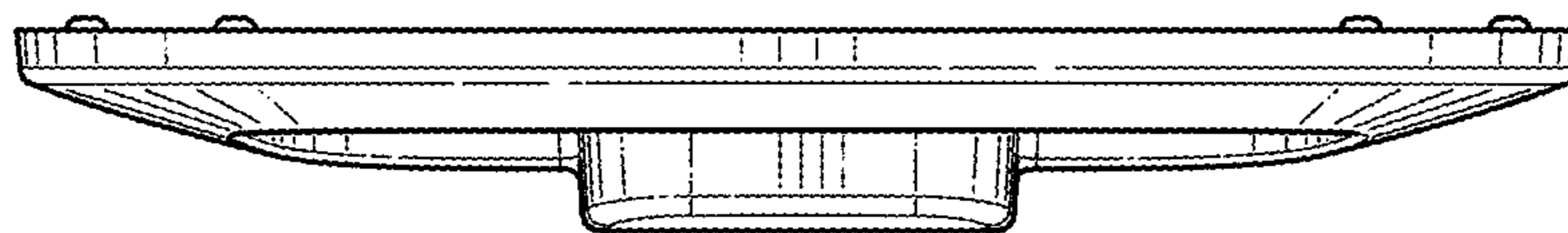


FIG. 1.5

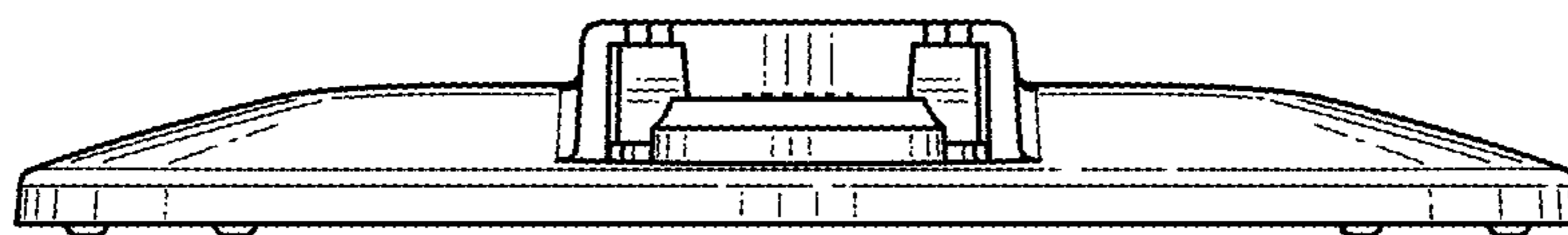


FIG. 1.6