



US00D862565S

(12) **United States Design Patent** (10) **Patent No.:** **US D862,565 S**  
**Hallack et al.** (45) **Date of Patent:** **\*\* Oct. 8, 2019**

(54) **STAND-ALONE IMAGER UNIT** 7,714,942 B2 \* 5/2010 Kong ..... G03B 21/54  
 340/539.13  
 (71) Applicant: **Gentex Corporation**, Zeeland, MI (US) D747,390 S 1/2016 Roth et al.  
 D749,162 S 2/2016 Roth et al.  
 D754,235 S 4/2016 Fish, Jr. et al.  
 (72) Inventors: **Jason D. Hallack**, Allendale, MI (US); 2017/0210282 A1\* 7/2017 Rodriguez Barros . G03B 21/00  
**Bradley R. Hamlin**, Allendale, MI (US) \* cited by examiner

(73) Assignee: **GENTEX CORPORATION**, Zeeland, MI (US) *Primary Examiner* — Wan Laymon  
 (74) *Attorney, Agent, or Firm* — Price Heneveld LLP; Bradley D. Johnson

(\*\*) Term: **15 Years**

(21) Appl. No.: **29/623,744**

(22) Filed: **Oct. 26, 2017**

(51) **LOC (12) Cl.** ..... **16-02**

(52) **U.S. Cl.**  
 USPC ..... **D16/235**; D16/225

(58) **Field of Classification Search**  
 USPC ..... D16/221, 225, 229, 235, 219, 242;  
 D13/107–108; 248/309.1, 311.2, 346.01,  
 248/346.03, 176.1, 346.06, 917; 348/373,  
 348/375; 353/11–12, 122, 13  
 CPC ..... G03B 21/00; G03B 21/145; G03B 21/54;  
 G03B 17/56  
 See application file for complete search history.

(56) **References Cited**

U.S. PATENT DOCUMENTS

D118,698 S \* 1/1940 Gillon ..... D16/225  
 D212,309 S \* 9/1968 Ralke ..... D16/235  
 D390,246 S \* 2/1998 Cienfuegos-Jovellanos .....  
 D16/221

(57) **CLAIM**

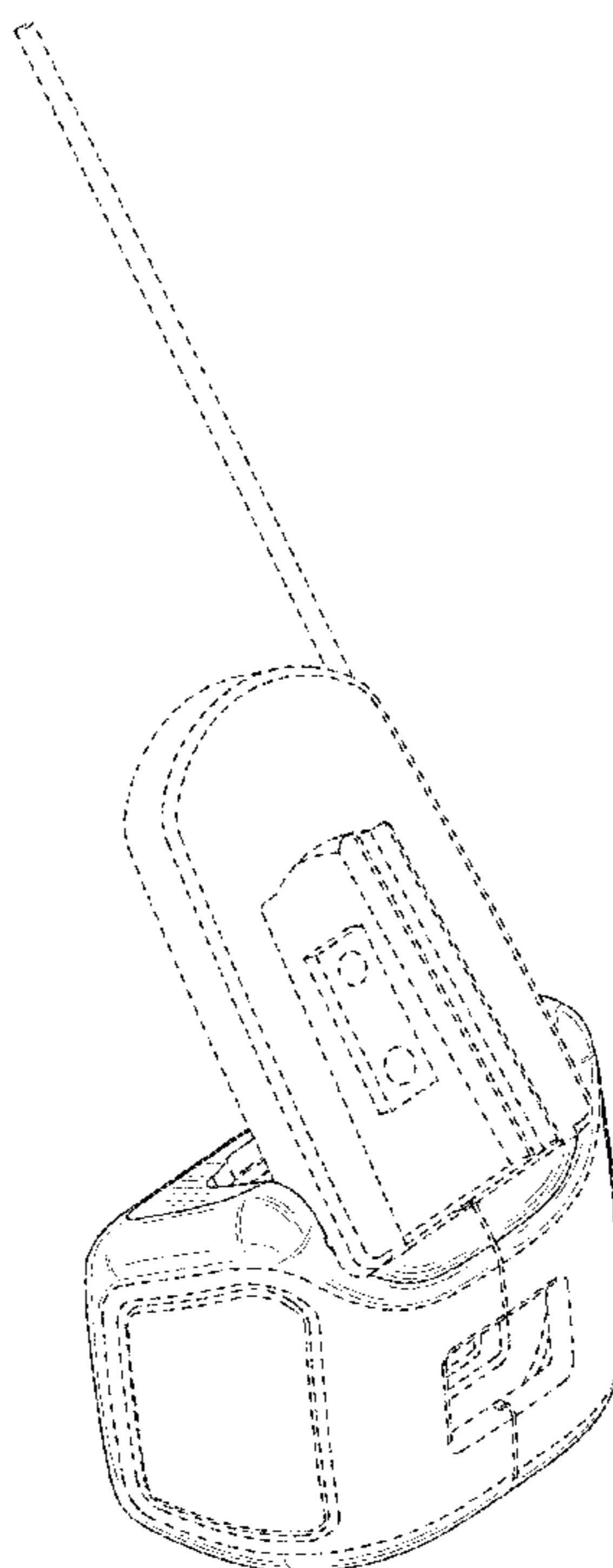
We claim the ornamental design for a stand-alone imager unit, as shown and described.

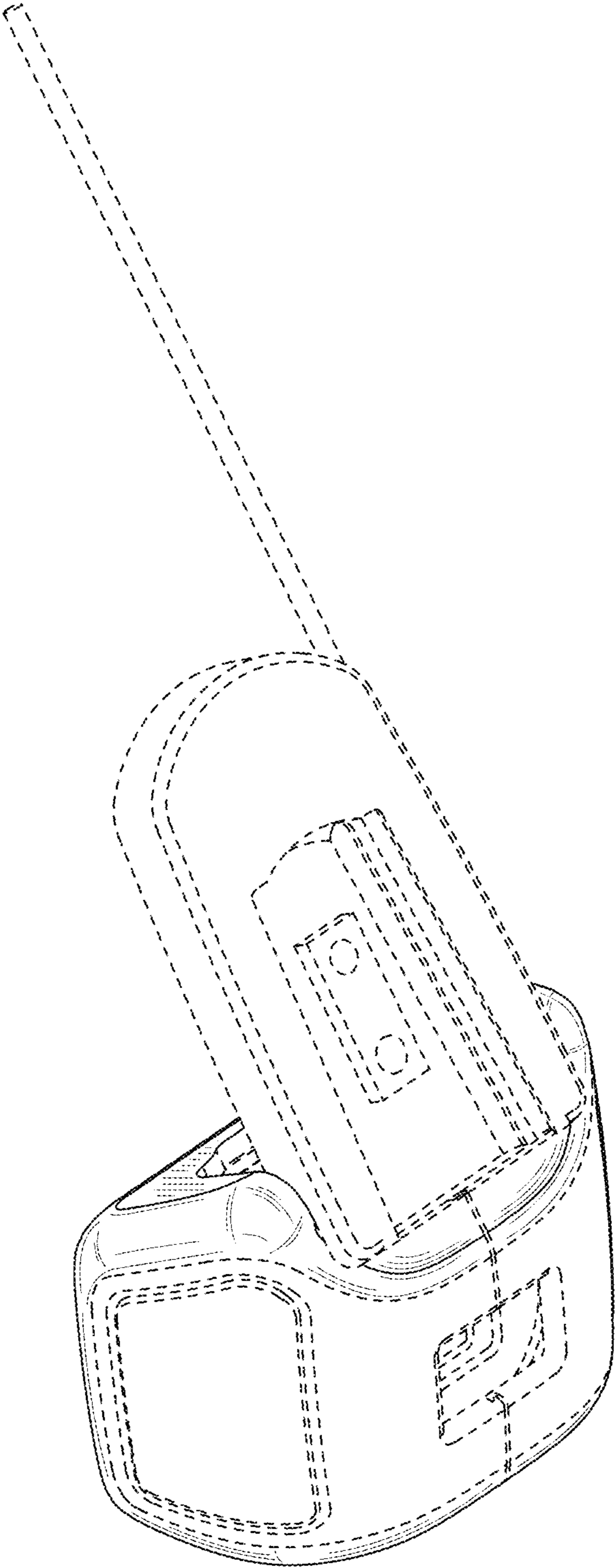
**DESCRIPTION**

FIG. 1 is a front perspective view of a stand-alone imager unit of the present disclosure;  
 FIG. 2 is a front elevational view of the stand-alone imager unit of FIG. 1;  
 FIG. 3 is a rear elevational view of the stand-alone imager unit of FIG. 1;  
 FIG. 4 is a first side elevational view of the stand-alone imager unit of FIG. 1;  
 FIG. 5 is a second side elevational view of the stand-alone imager unit of FIG. 1;  
 FIG. 6 is a top plan view of the stand-alone imager unit of FIG. 1; and,  
 FIG. 7 is a bottom plan view of the stand-alone imager unit of FIG. 1.

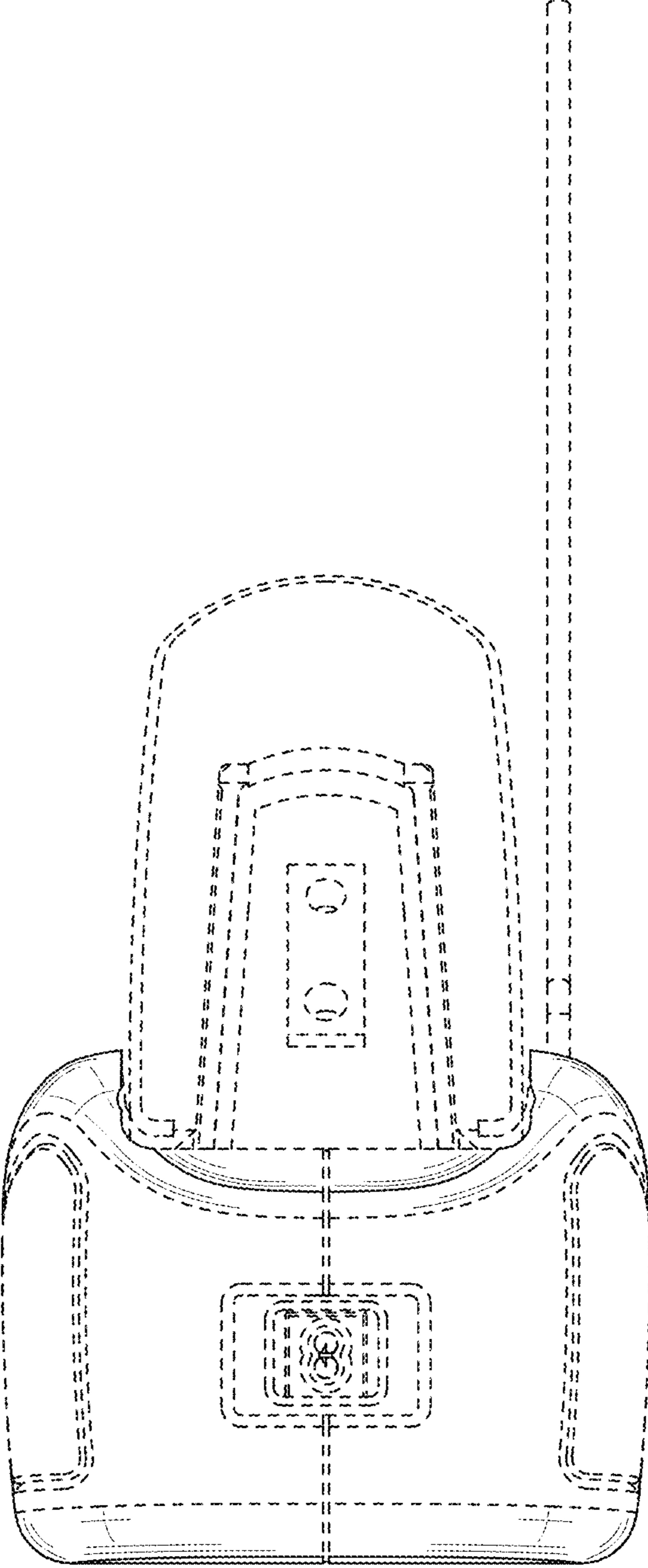
Broken lines are environmental only and form no part of the claimed design.

**1 Claim, 6 Drawing Sheets**

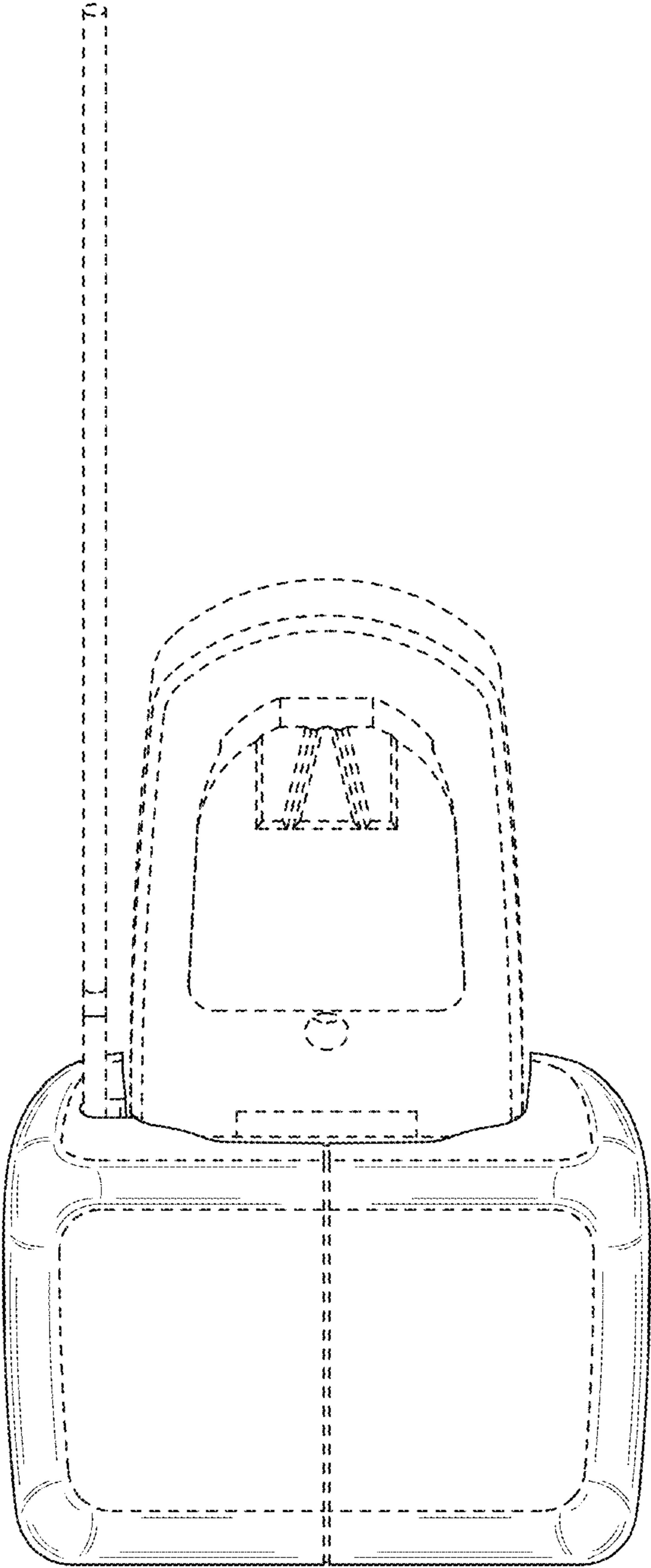




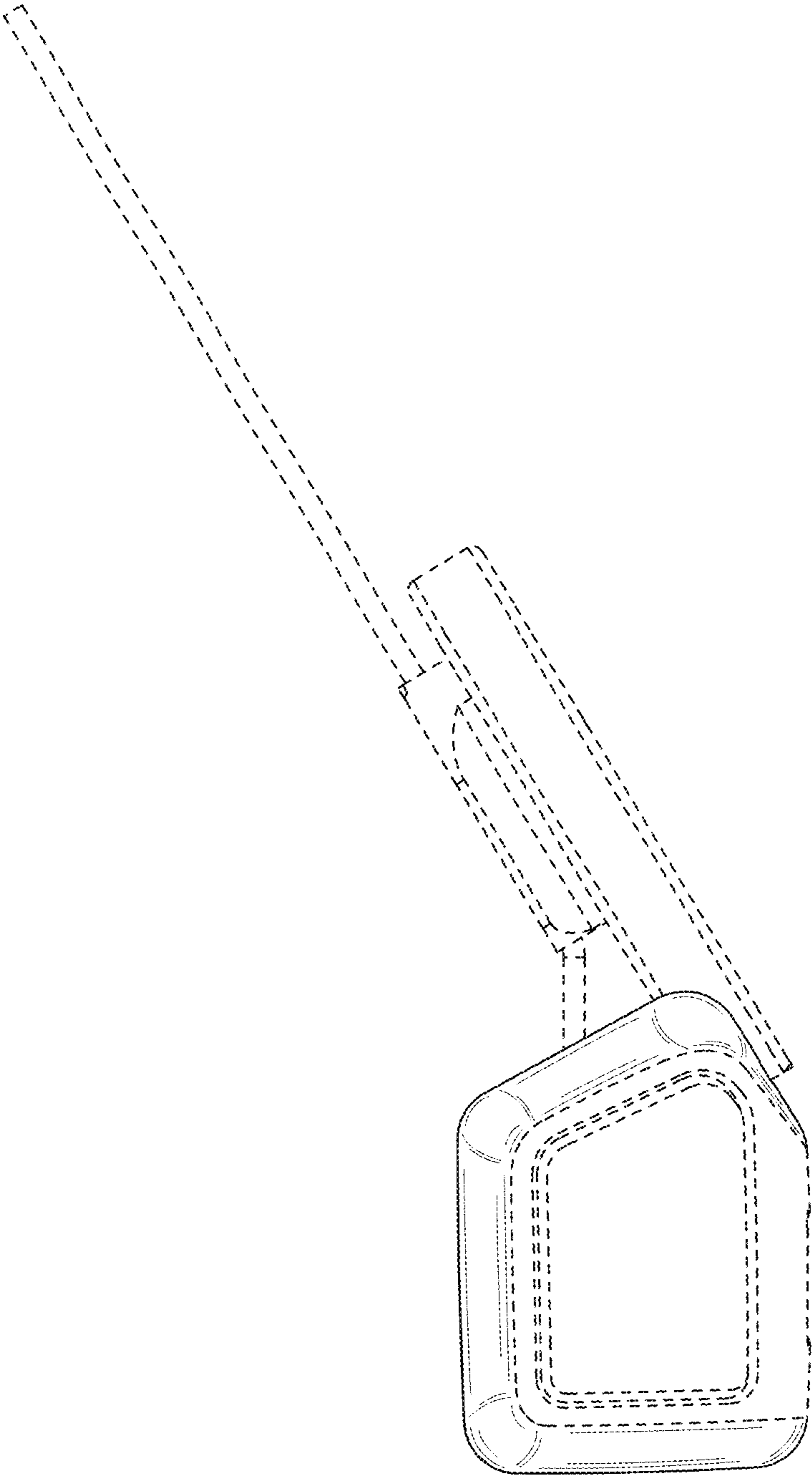
**FIG. 1**



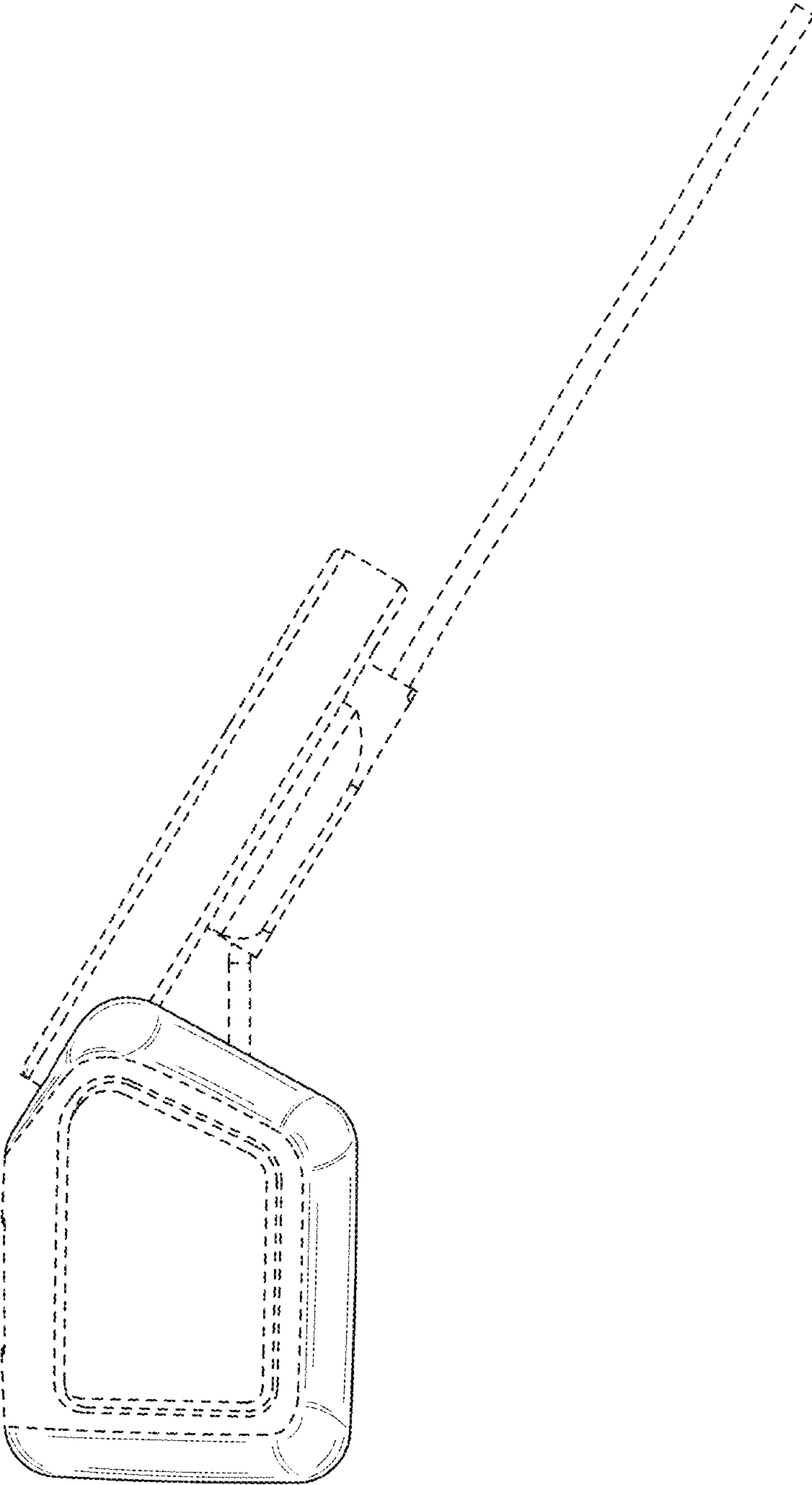
**FIG. 2**



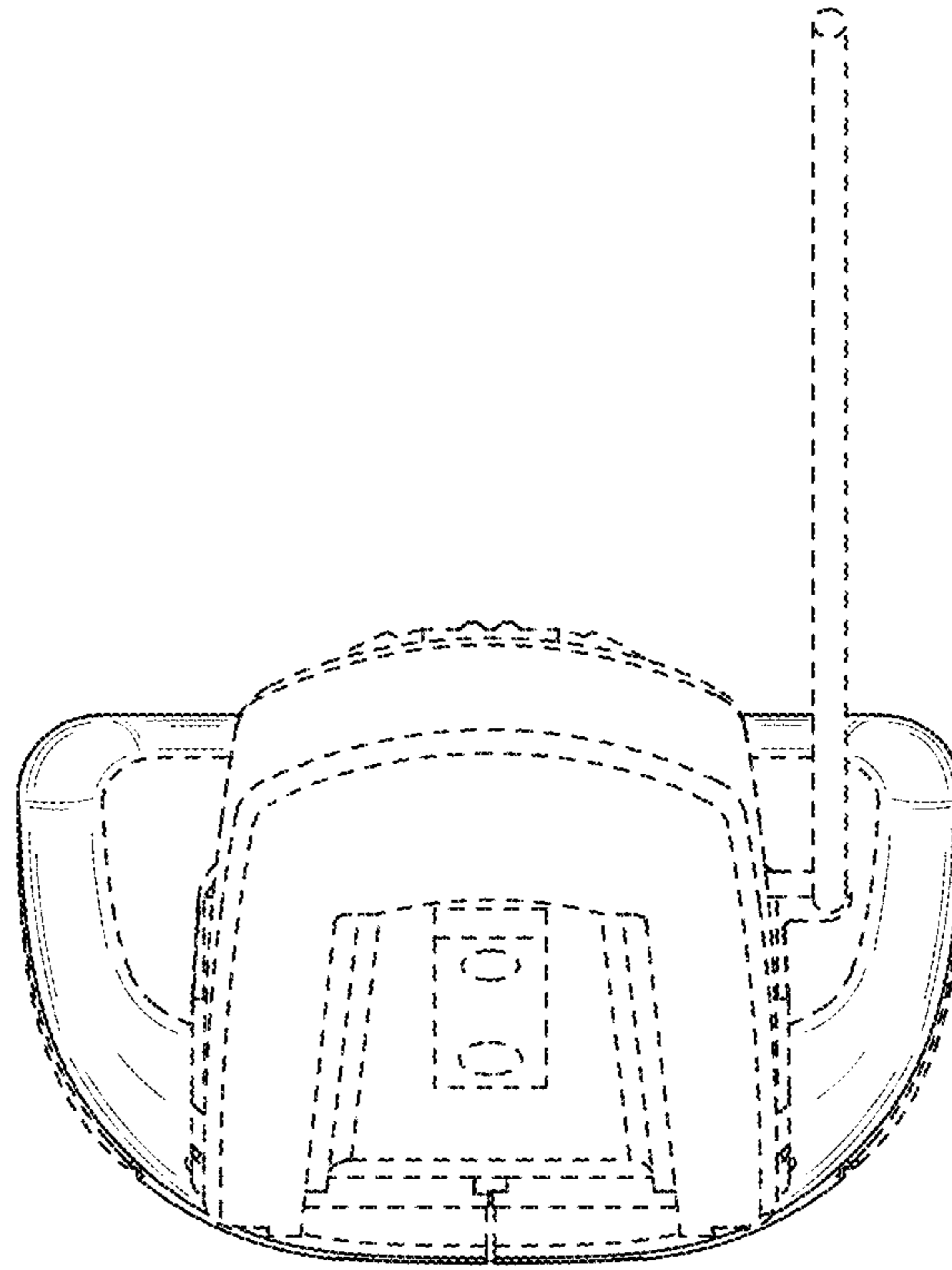
**FIG. 3**



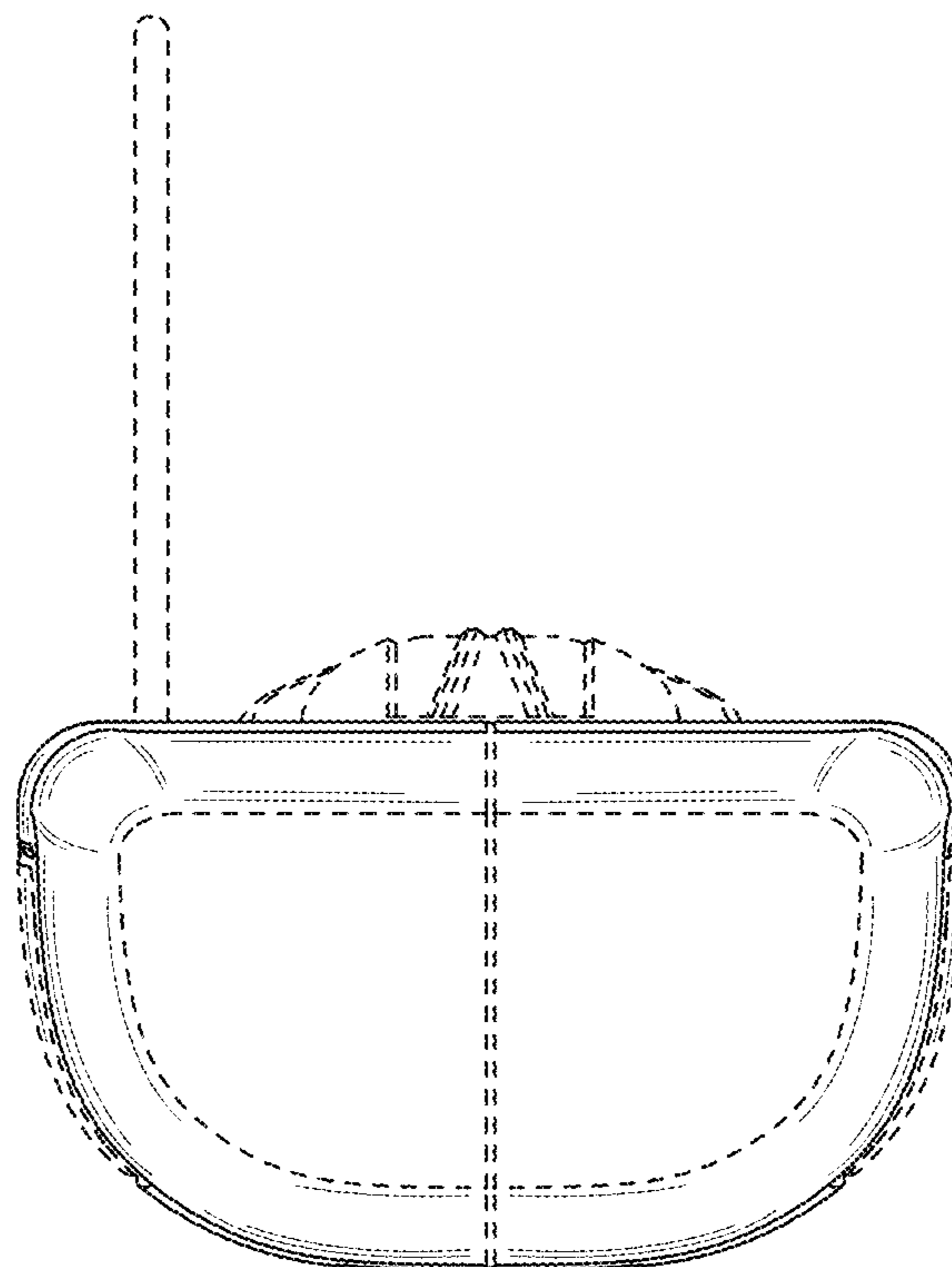
**FIG. 4**



**FIG. 5**



**FIG. 6**



**FIG. 7**