

US00D862563S

(12) **United States Design Patent**
Zhang

(10) **Patent No.:** **US D862,563 S**

(45) **Date of Patent:** **** Oct. 8, 2019**

(54) **TRANSPARENT COVER FOR A CAMERA**

(71) Applicant: **Hangzhou Hikvision Digital Technology Co., Ltd.**, Hangzhou (CN)

(72) Inventor: **Fengmin Zhang**, Hangzhou (CN)

(73) Assignee: **HANGZHOU HIKVISION DIGITAL TECHNOLOGY CO., LTD.**, Hangzhou (CN)

(**) Term: **15 Years**

(21) Appl. No.: **29/669,932**

(22) Filed: **Nov. 13, 2018**

Related U.S. Application Data

(62) Division of application No. 29/630,306, filed on Dec. 20, 2017.

(30) **Foreign Application Priority Data**

Aug. 16, 2017 (CN) 2017 3 0375798

(51) **LOC (12) Cl.** **16-05**

(52) **U.S. Cl.**
USPC **D16/219; D16/203**

(58) **Field of Classification Search**

USPC D16/200, 202–206, 218, 219, 242;
348/143, 148, 151, 373–376; 396/419,
396/427, 535, 539–541
CPC G03B 17/02; G03B 19/04; G03B 17/56;
G03B 17/04; G03B 15/03; H04N 5/2251;
H04N 5/2252; H04N 5/2253; H04N
5/2254; H04N 7/181; H04N 7/183; H04N
7/18; G08B 13/1963; G08B 13/19619;
G08B 13/19632; F16M 11/04; F16M
13/00

See application file for complete search history.

(56) **References Cited**

U.S. PATENT DOCUMENTS

D399,517 S *	10/1998	Hasegawa	D16/203
D473,888 S *	4/2003	Jones	396/427
D499,126 S *	11/2004	Kato	D16/203
D547,347 S *	7/2007	Kim	D16/202
D556,233 S *	11/2007	Webb	D16/202
D565,626 S *	4/2008	Leyden	D16/203
D668,701 S *	10/2012	Ohno	D16/203
D719,208 S *	12/2014	Mohan	D16/203
D741,934 S *	10/2015	Stark	D16/203
D742,447 S *	11/2015	Stark	D16/203
D745,911 S *	12/2015	Lee	D16/203
D798,933 S *	10/2017	Little	D16/203
D815,174 S *	4/2018	Holbrook	D16/203

* cited by examiner

Primary Examiner — Ramzi S Almatrahi

(74) *Attorney, Agent, or Firm* — Shumaker, Loop & Kendrick, LLP

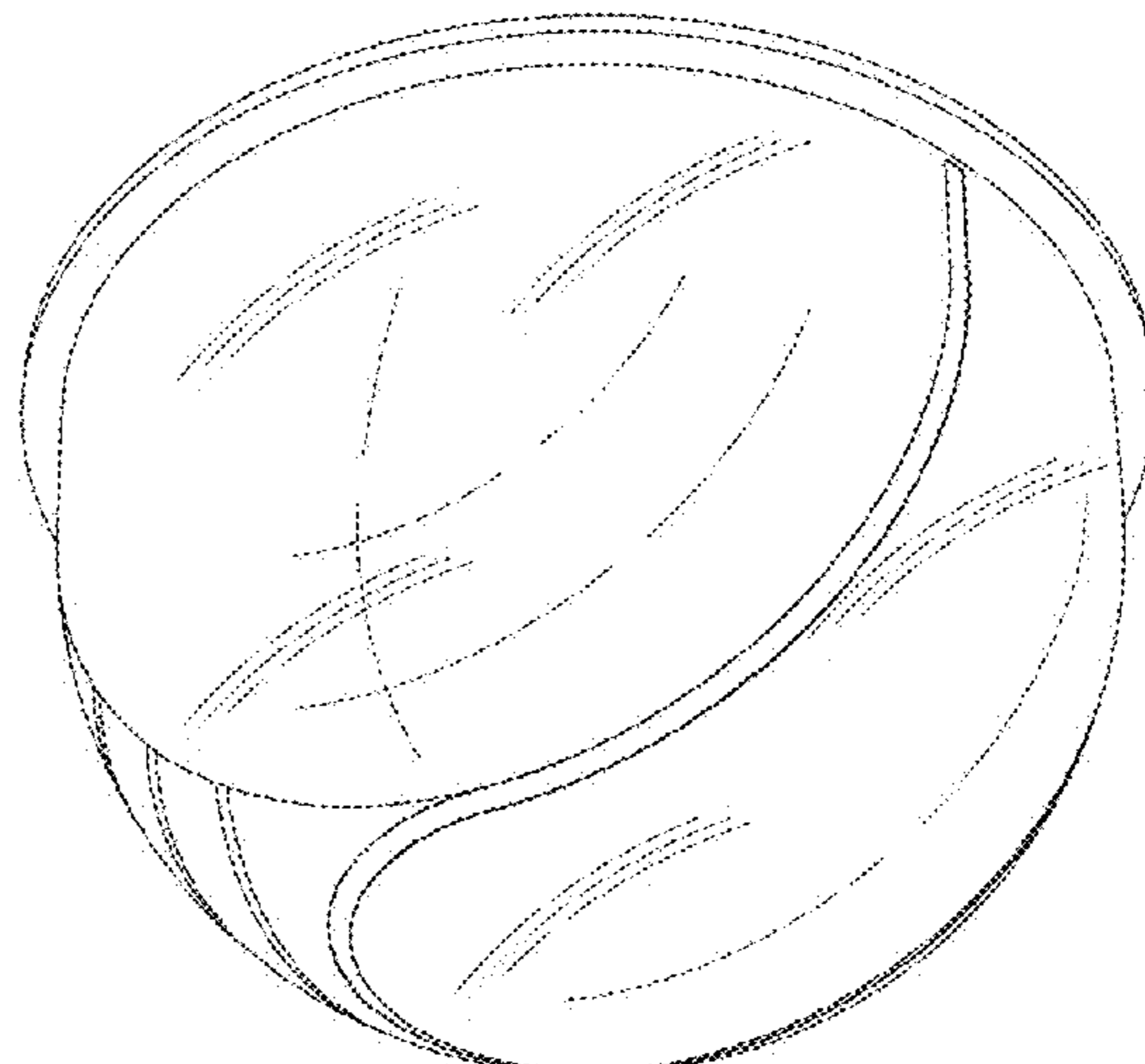
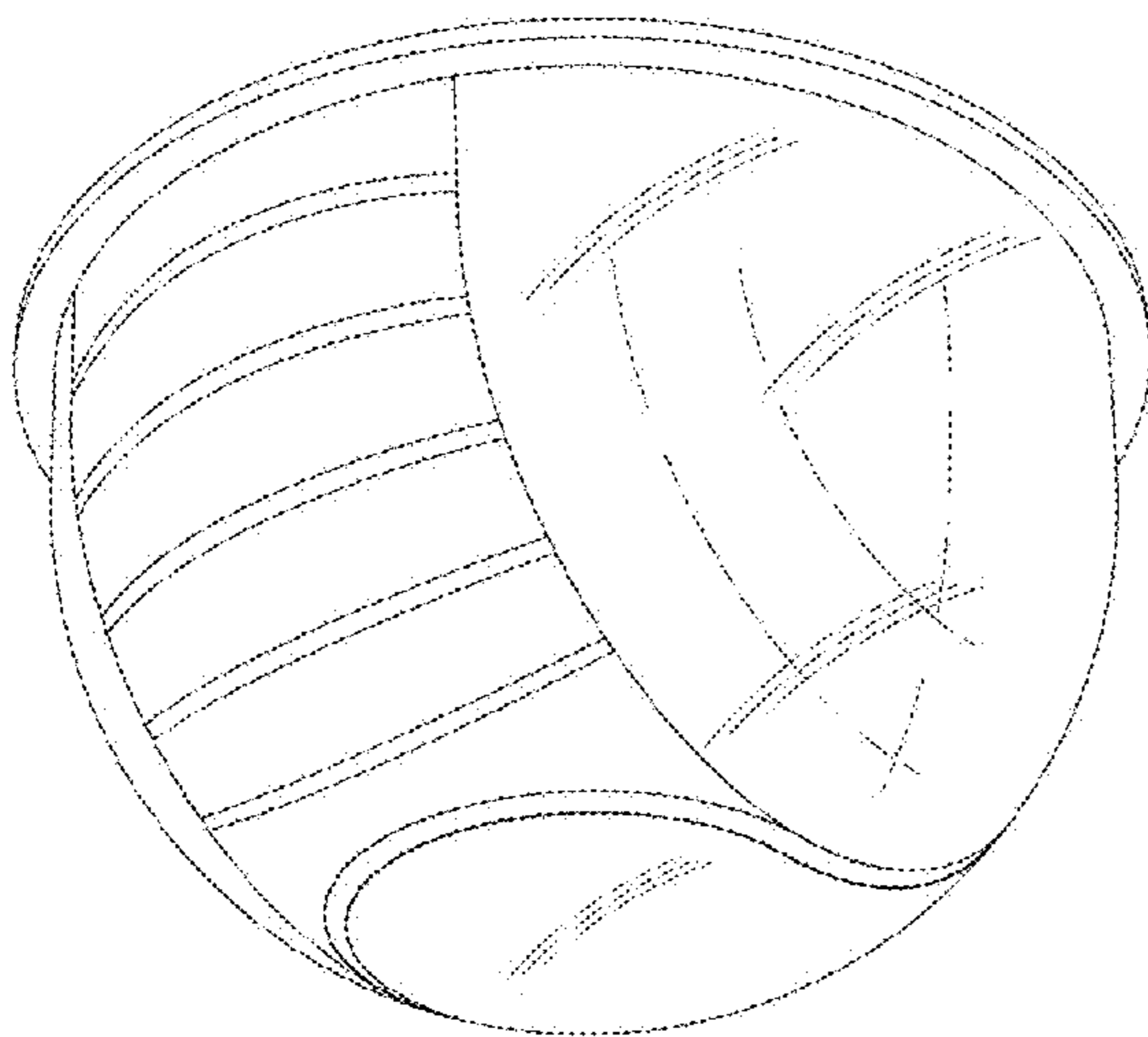
(57) **CLAIM**

The ornamental design for a transparent cover for a camera, as shown and described.

DESCRIPTION

FIG. 1 is a front elevation view of a transparent cover for a camera, showing my new design;
FIG. 2 is a back elevation view thereof;
FIG. 3 is a left side elevation view thereof;
FIG. 4 is a right side elevation view thereof;
FIG. 5 is a top plan view thereof;
FIG. 6 is a bottom plan view thereof;
FIG. 7 is a back perspective view thereof; and,
FIG. 8 is a front perspective view thereof.

1 Claim, 4 Drawing Sheets



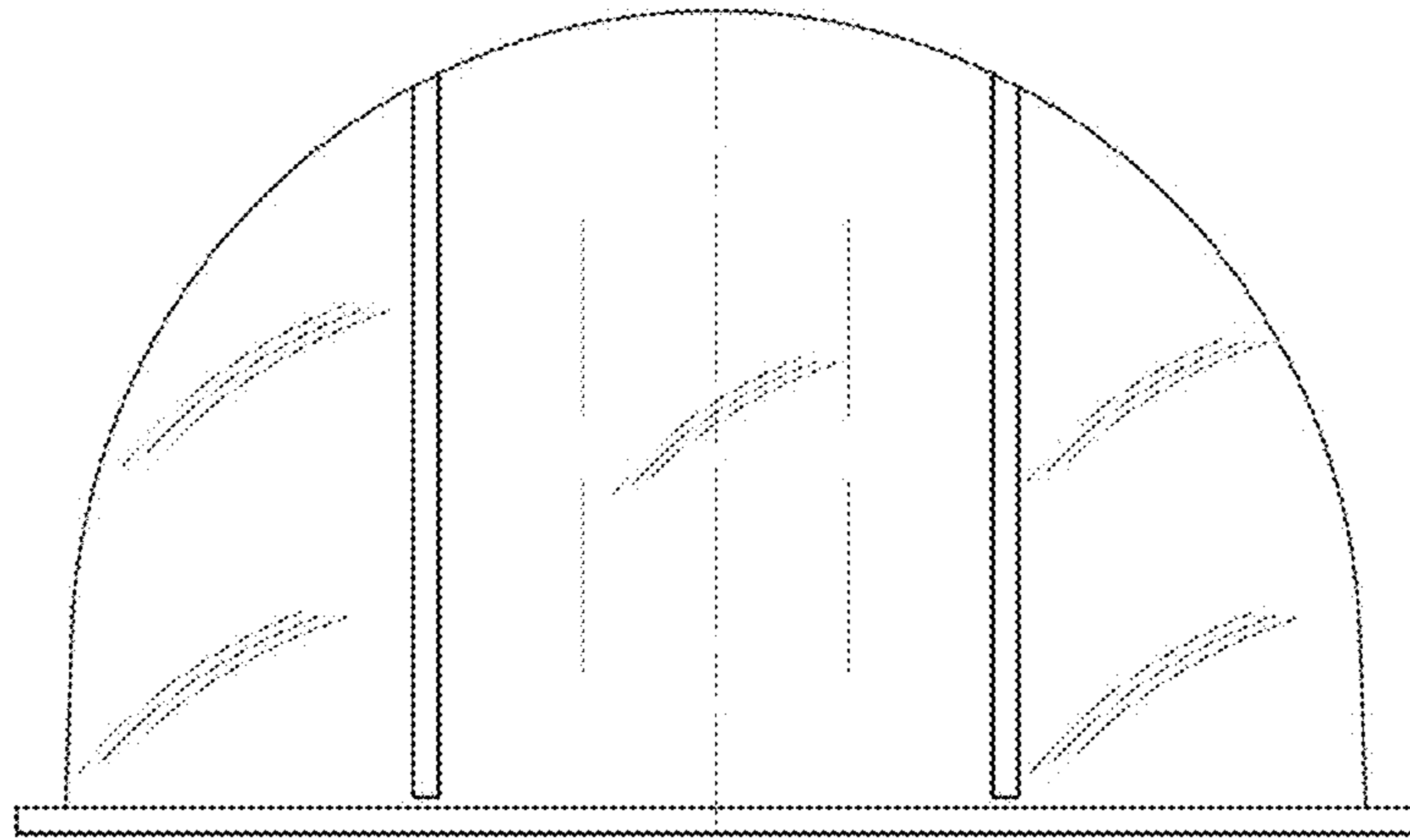


FIG. 1

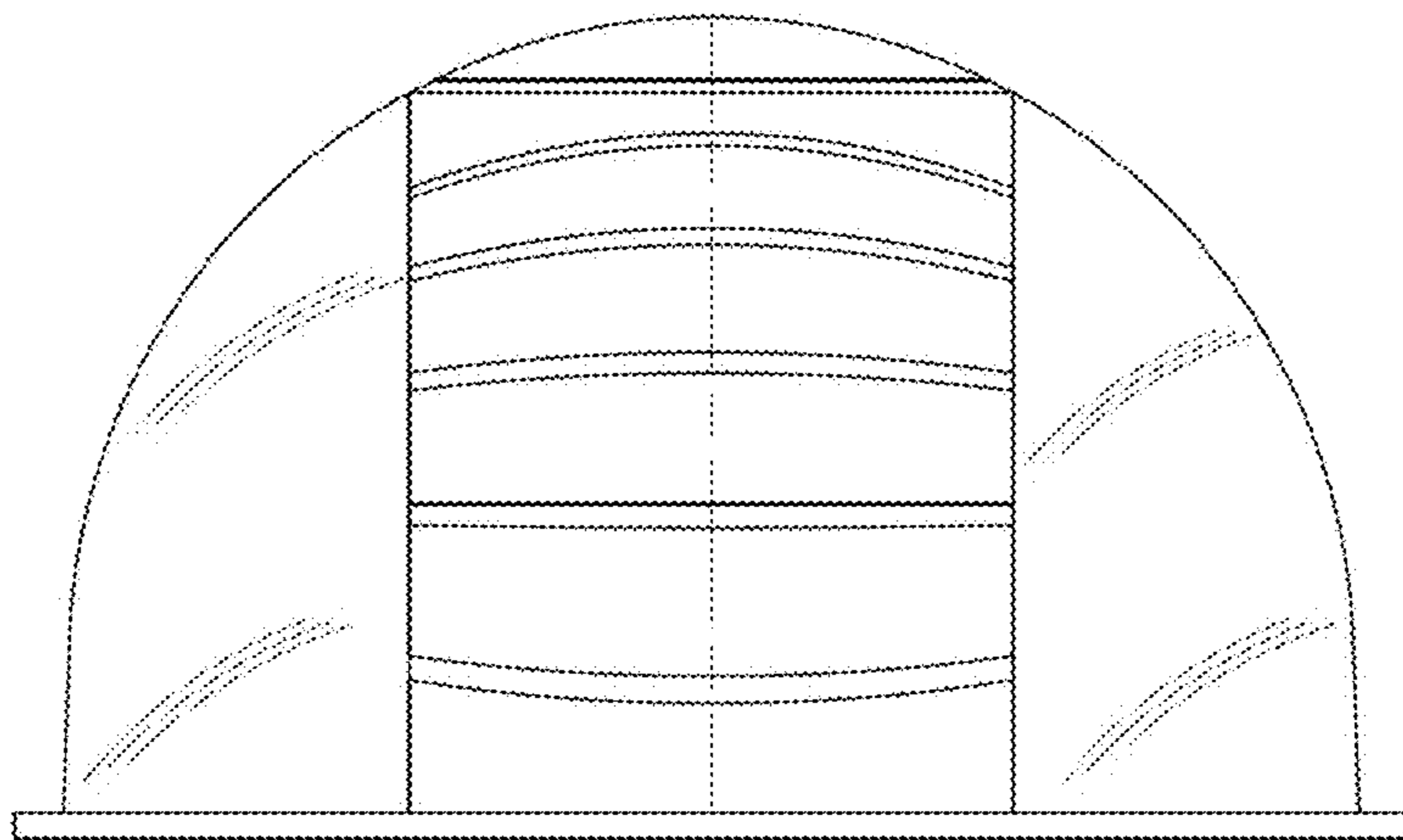


FIG. 2

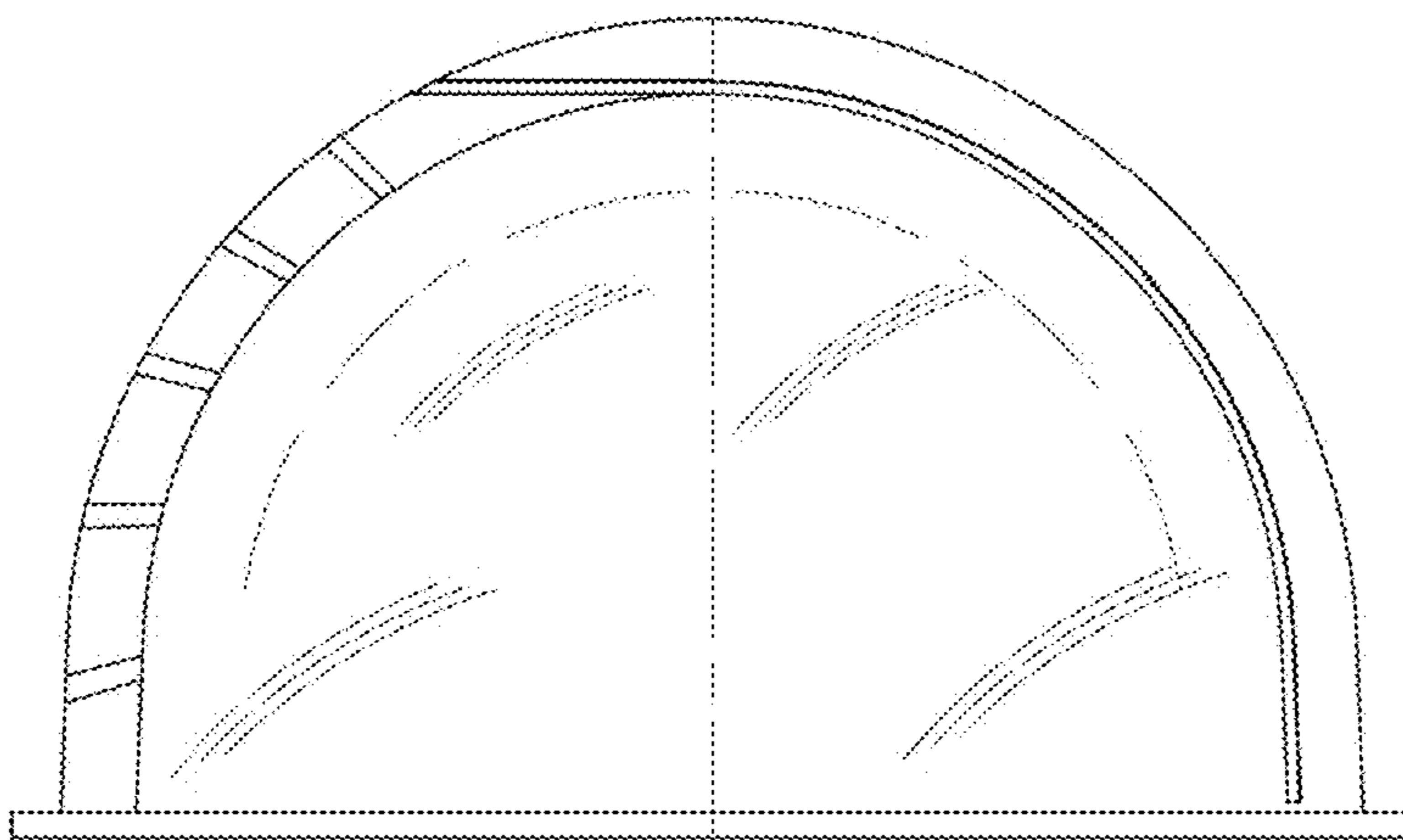


FIG. 3

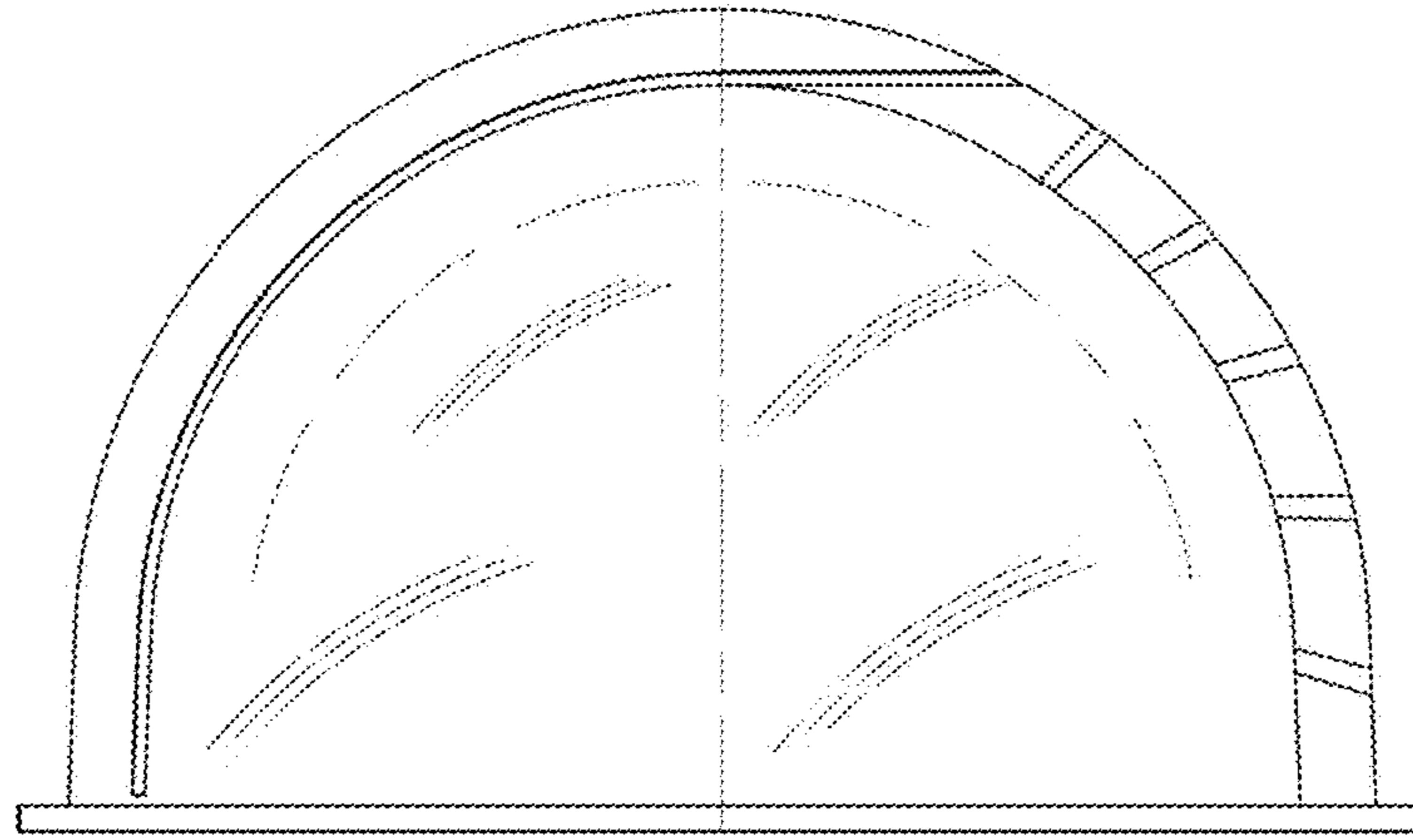


FIG. 4

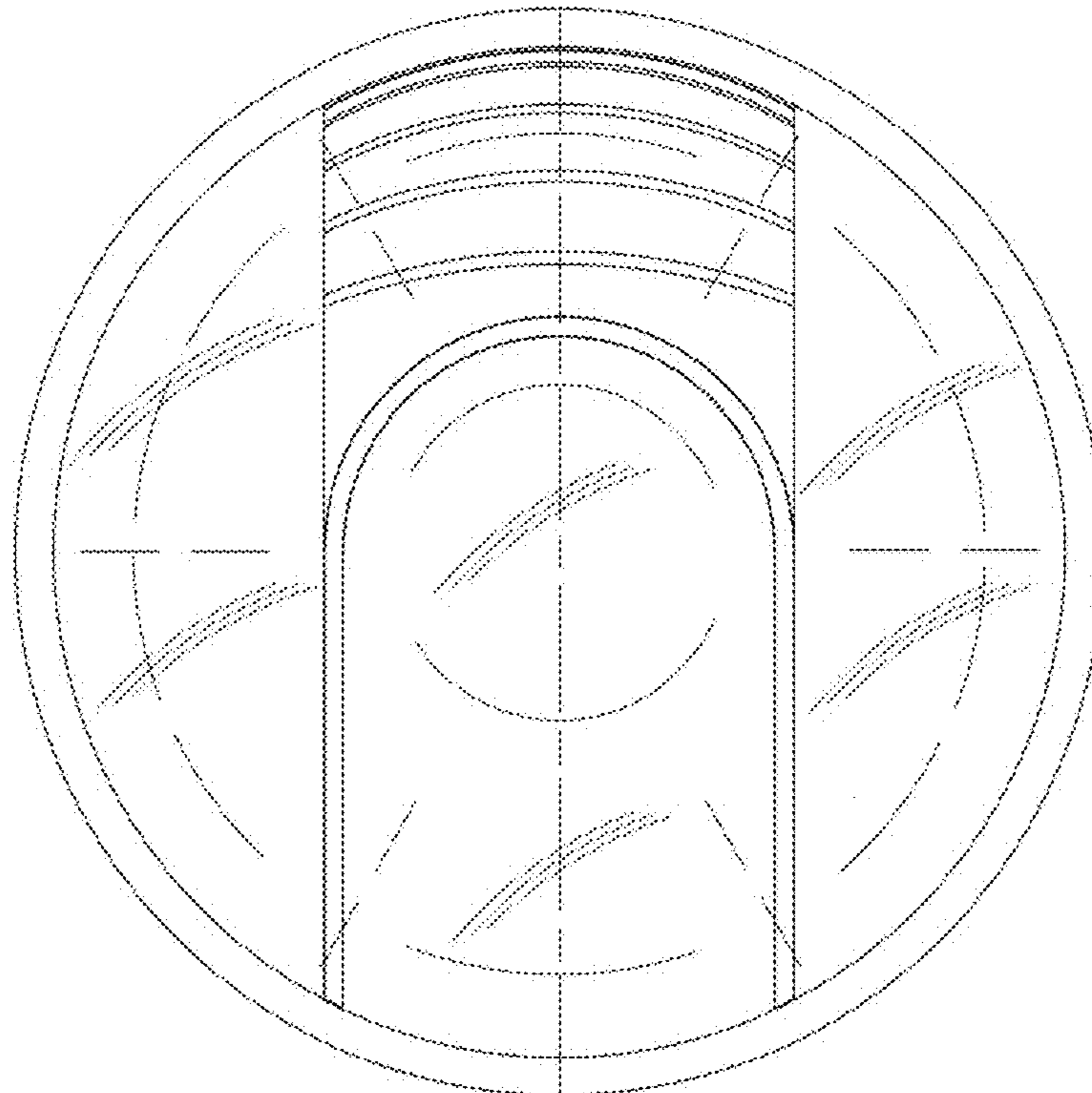


FIG. 5

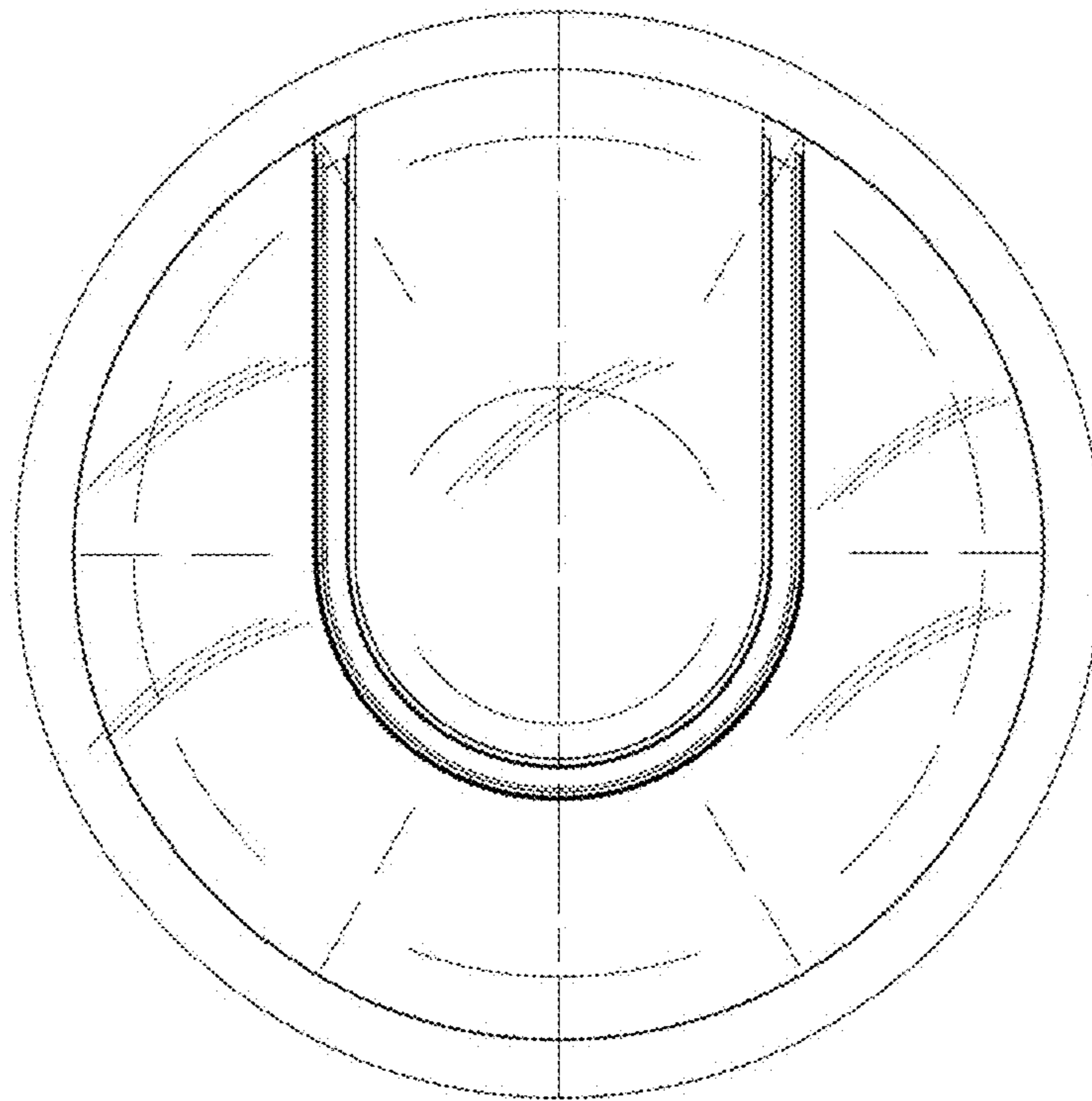


FIG. 6

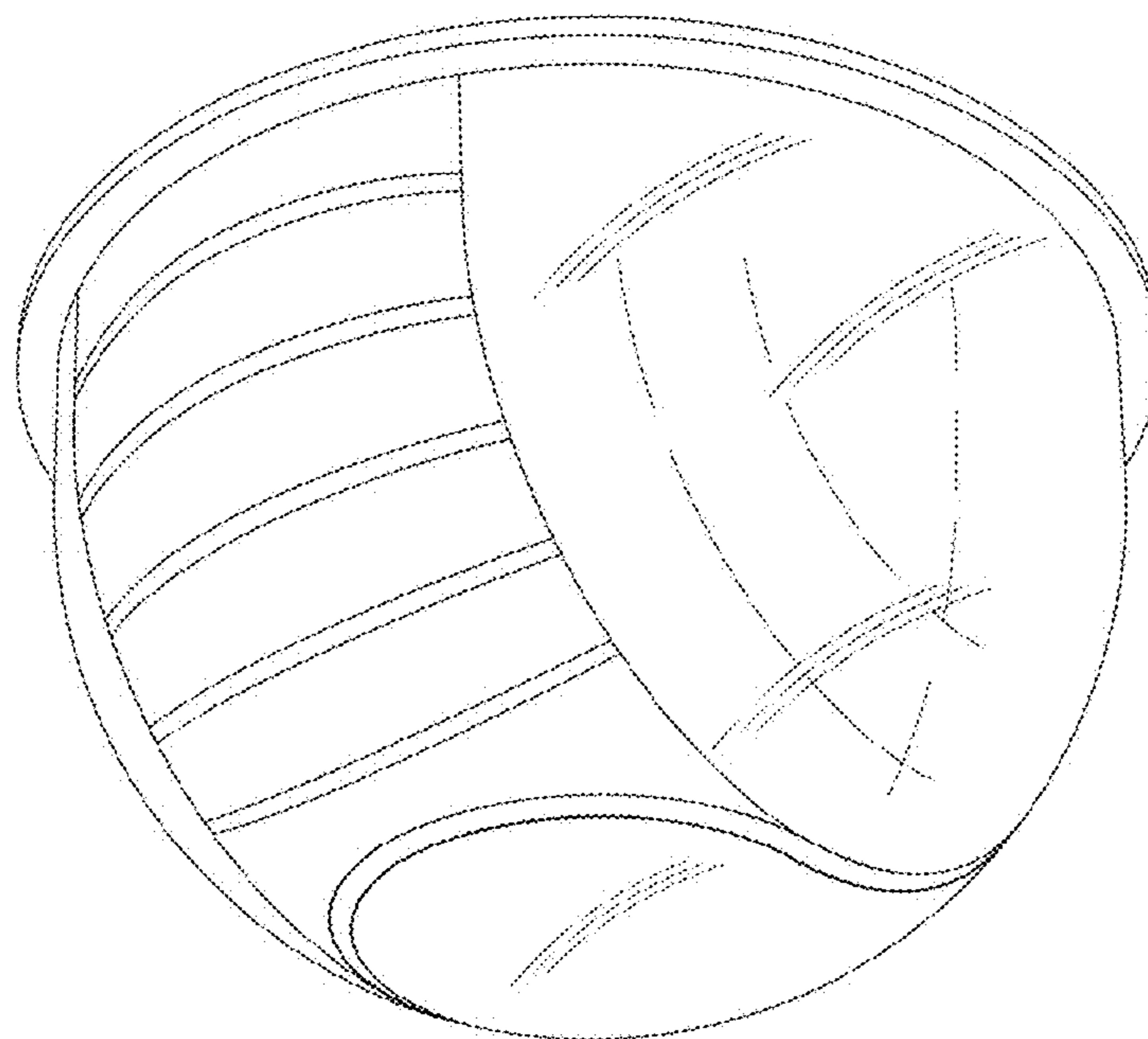


FIG. 7

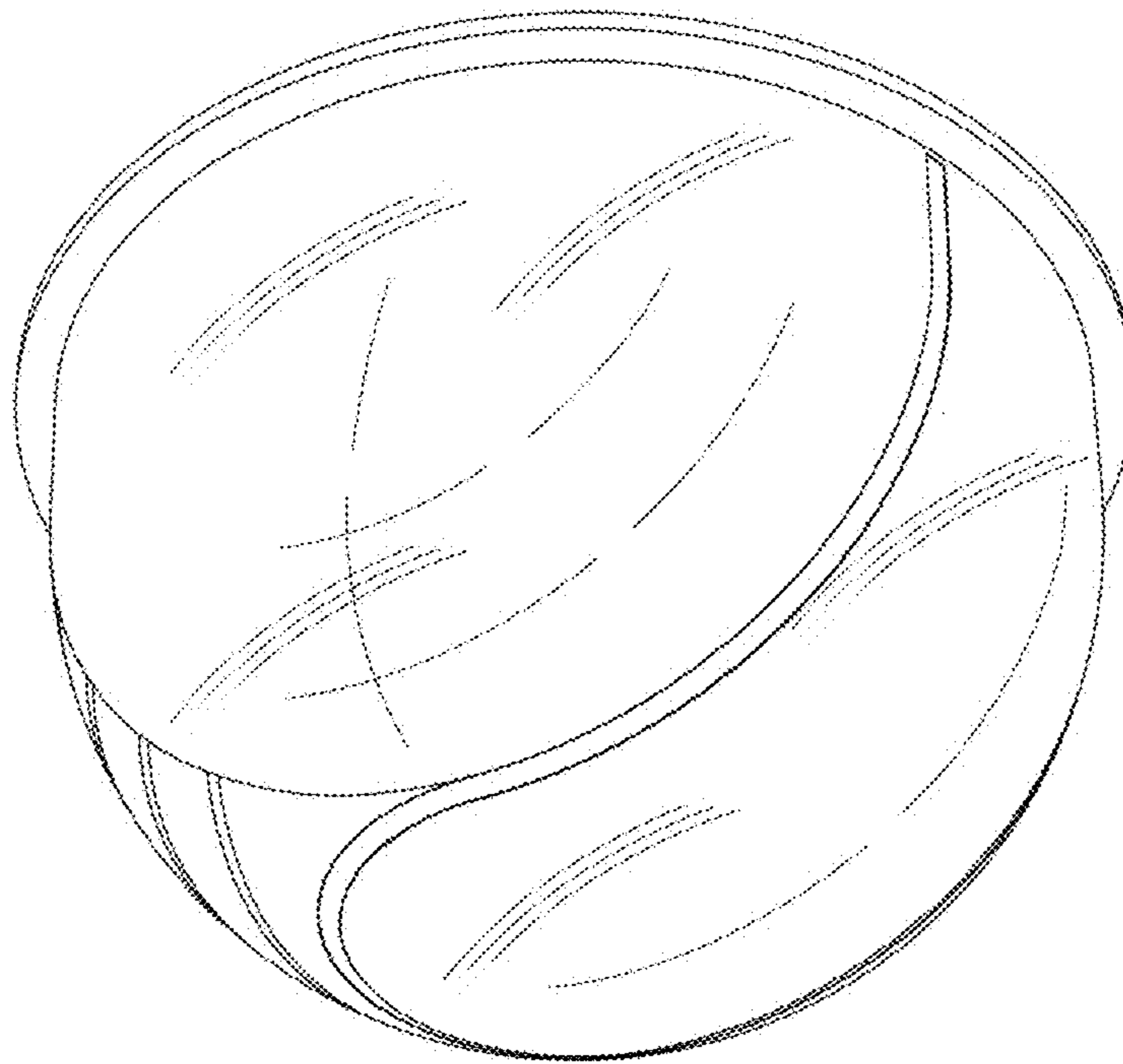


FIG. 8