

US00D862561S

(12) **United States Design Patent** (10) **Patent No.:** **US D862,561 S**
Pritikin et al. (45) **Date of Patent:** **** Oct. 8, 2019**

(54) **IRIS RECOGNITION SYSTEM**
(71) Applicant: **Tascent, Inc.**, Los Gatos, CA (US)
(72) Inventors: **Joseph Justin Pritikin**, Portola Valley, CA (US); **Dean Eugene Senner**, Los Gatos, CA (US); **William Homer Chandler, Jr.**, Milpitas, CA (US); **Jeffrey W. Douglass**, Los Gatos, CA (US); **Daniel Harden**, Palo Alto, CA (US); **Cole Derby**, East Palo Alto, CA (US)

D720,794 S * 1/2015 Nuk D16/202
D721,114 S * 1/2015 Nuk D16/202
D721,119 S * 1/2015 Nuk D16/202
D755,173 S * 5/2016 Sheldon D14/307
D785,067 S * 4/2017 Ramones D16/203
D794,694 S * 8/2017 Liu D16/203
D800,201 S * 10/2017 Song D16/202
D802,043 S * 11/2017 Hikima D16/203
D805,570 S * 12/2017 Shi D16/202
D806,154 S * 12/2017 Shi D16/202
D810,168 S * 2/2018 Shi D16/202
D825,639 S * 8/2018 Kan D16/203
D827,471 S * 9/2018 Mikogami D10/108
D828,428 S * 9/2018 Lee D16/203
D836,147 S * 12/2018 Rao D16/203

(73) Assignee: **TASCENT, INC.**, Los Gatos, CA (US)

* cited by examiner

(**) Term: **15 Years**

Primary Examiner — George D. Kirschbaum

Assistant Examiner — Joseph J Kukella

(21) Appl. No.: **29/615,606**

(74) *Attorney, Agent, or Firm* — Fenwick & West LLP

(22) Filed: **Aug. 30, 2017**

(51) **LOC (12) Cl.** **16-01**

(52) **U.S. Cl.**
USPC **D16/214**

(58) **Field of Classification Search**
USPC D25/16; D10/104.1, 106.1, 106.95, 108,
D10/118.2, 122, 123, 126; D16/202, 203,
D16/214, 215
CPC G06T 1/0007; G06K 9/00221; G06K
9/00302

See application file for complete search history.

(56) **References Cited**

U.S. PATENT DOCUMENTS

D302,250 S * 7/1989 Nomizu D10/22
D395,830 S * 7/1998 Riley D10/122
D555,524 S * 11/2007 Jacobsen D10/75
D641,770 S * 7/2011 Hoehn D16/202
D690,757 S * 10/2013 Bart D16/203

(57) **CLAIM**

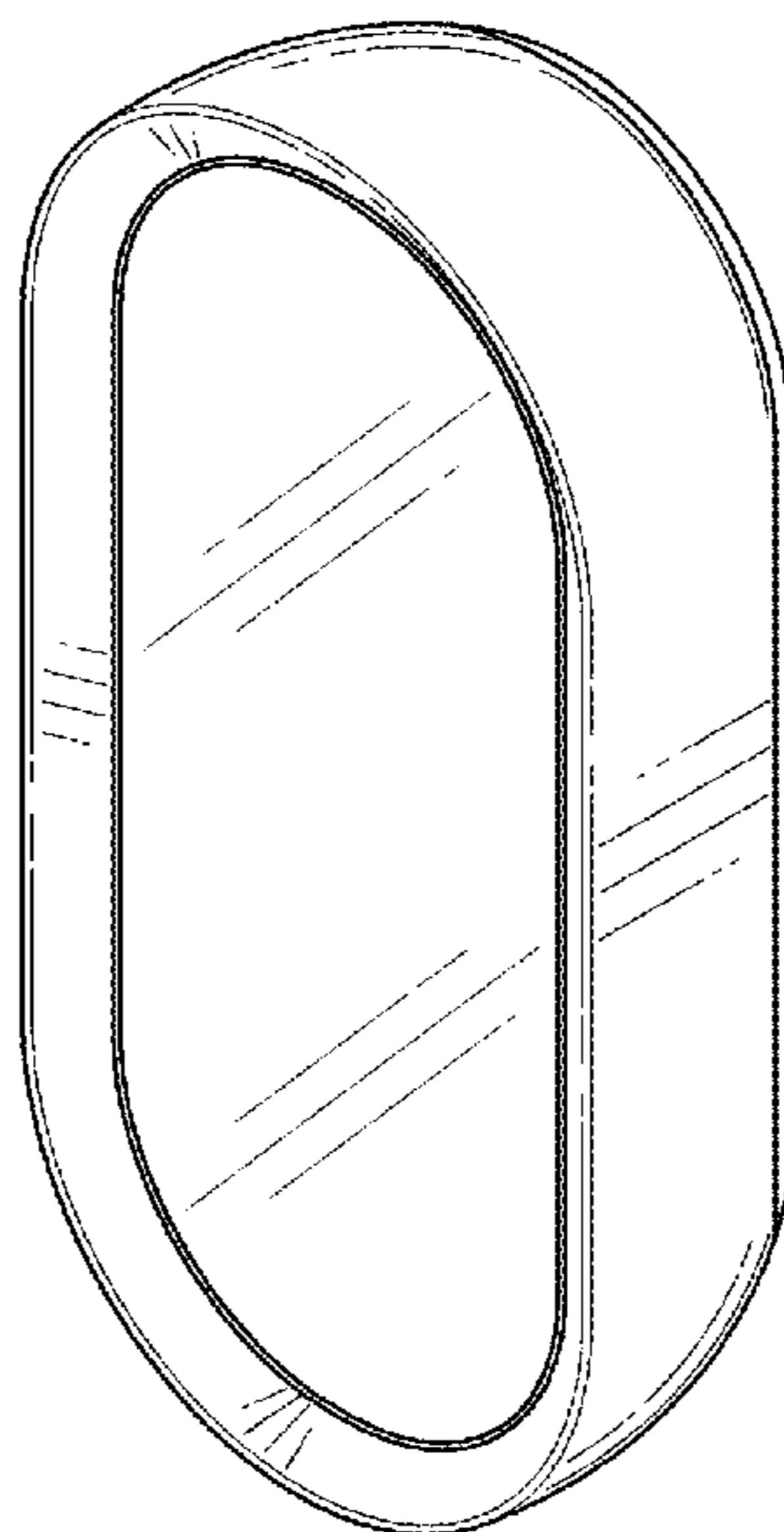
The ornamental design for an iris recognition system, as shown and described.

DESCRIPTION

FIG. 1 is a front and right perspective view of an iris recognition system;
FIG. 2 is a front view thereof;
FIG. 3 is a rear view thereof;
FIG. 4 is a left view thereof;
FIG. 5 is a right view thereof;
FIG. 6 is a top view thereof; and,
FIG. 7 is a bottom view thereof.

The broken lines in the drawings are included for the purpose of illustrating environmental structure and form no part of the claimed design.

1 Claim, 7 Drawing Sheets



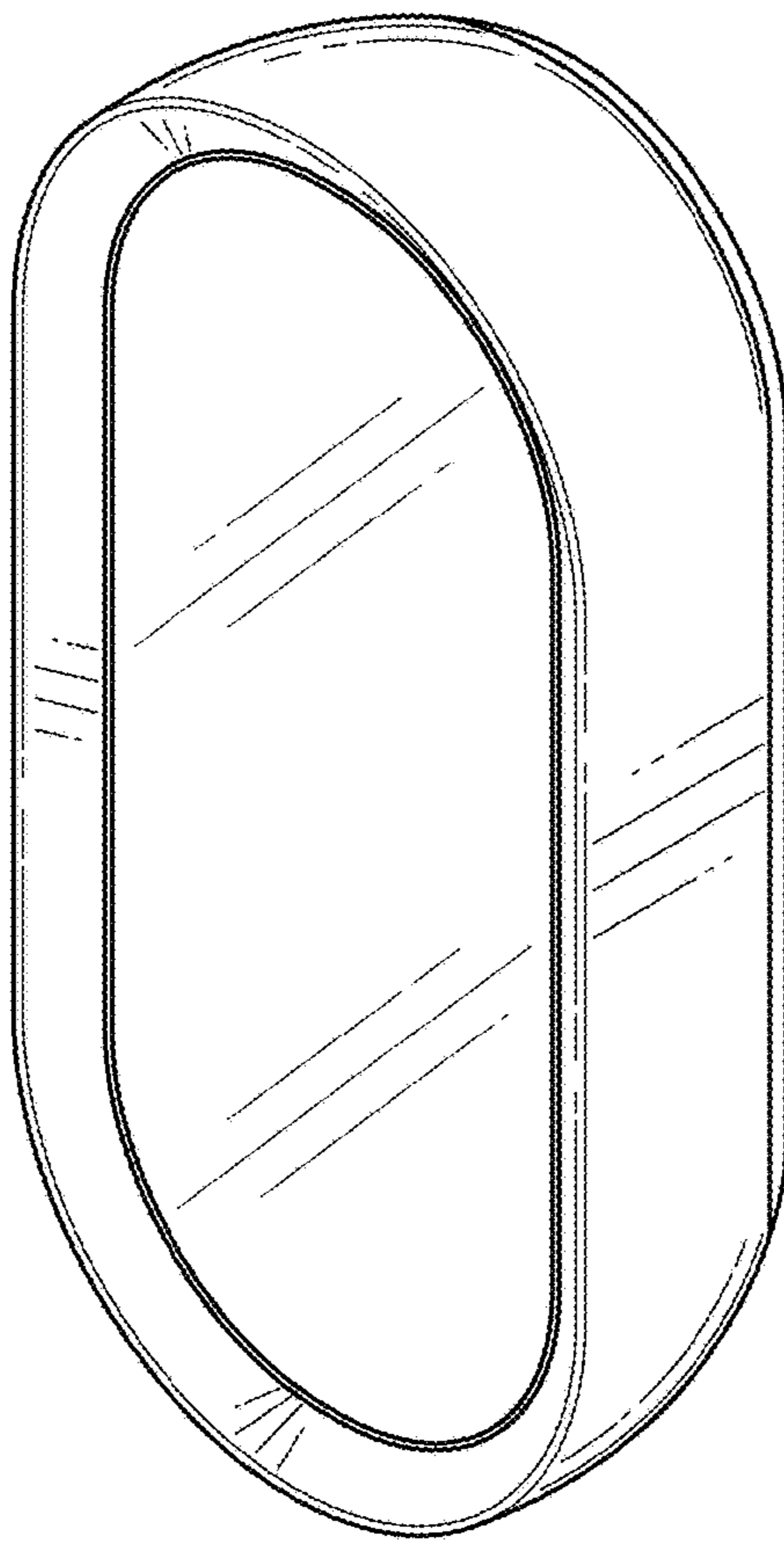


FIG. 1

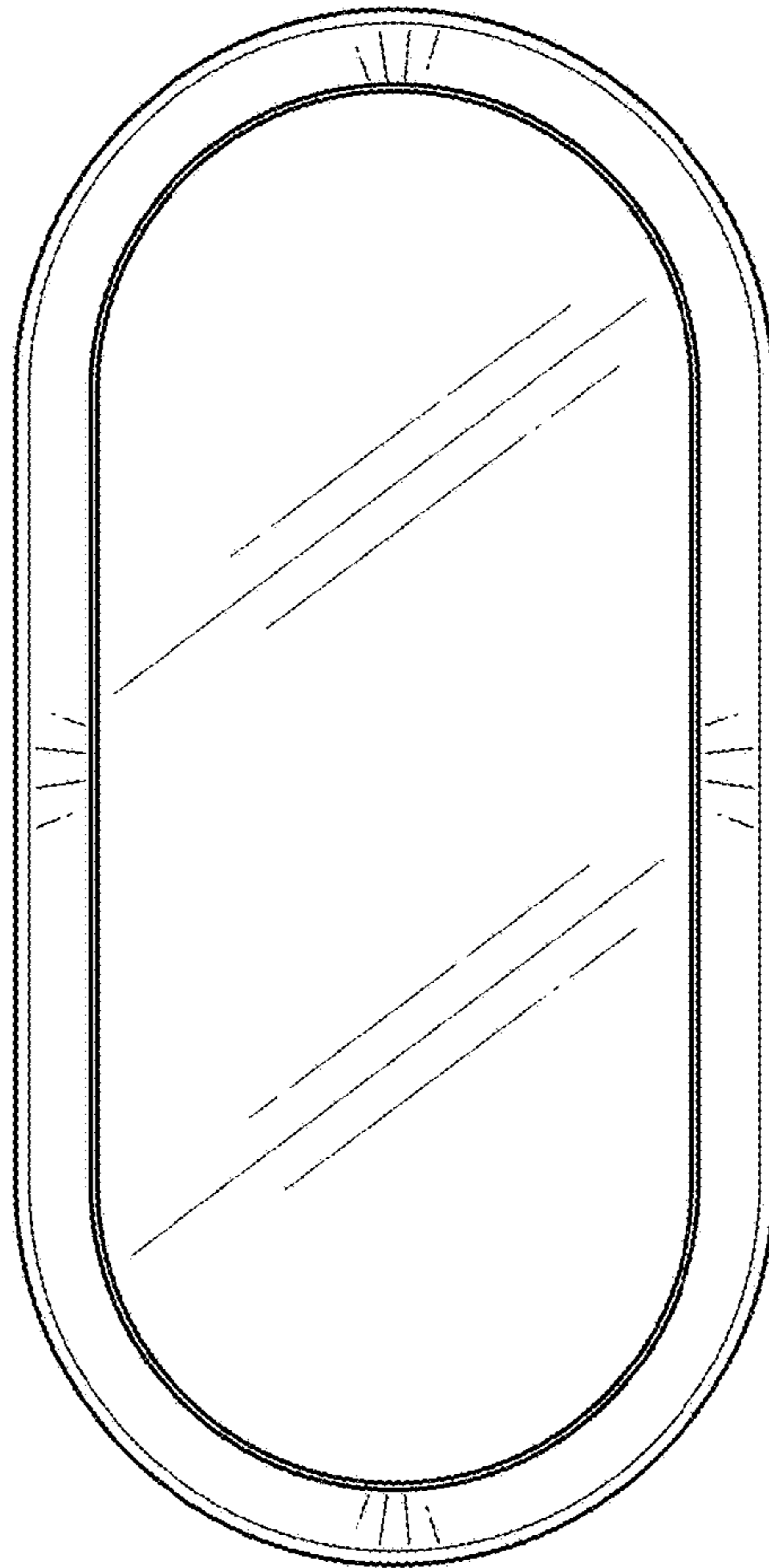


FIG. 2

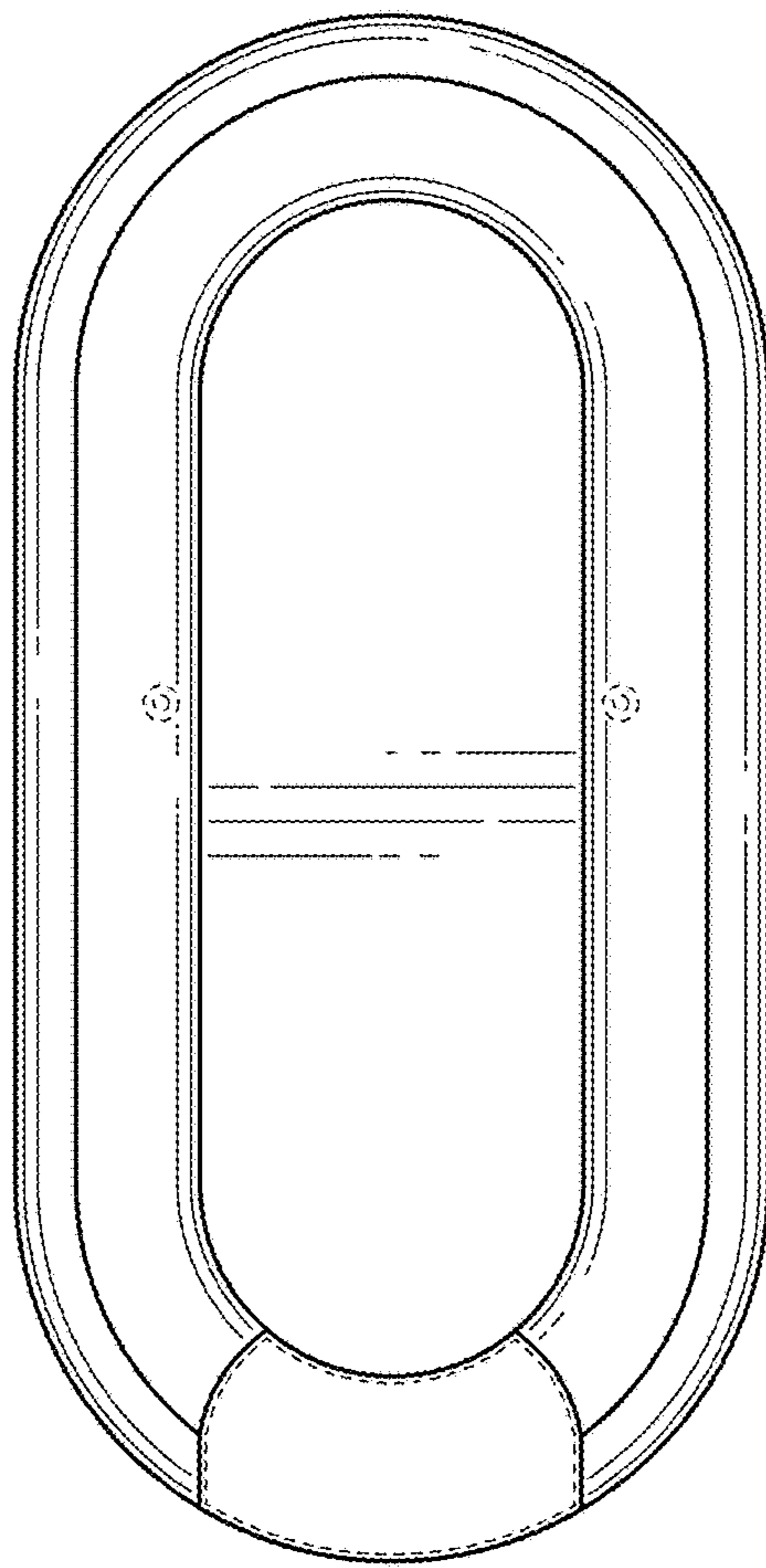


FIG. 3

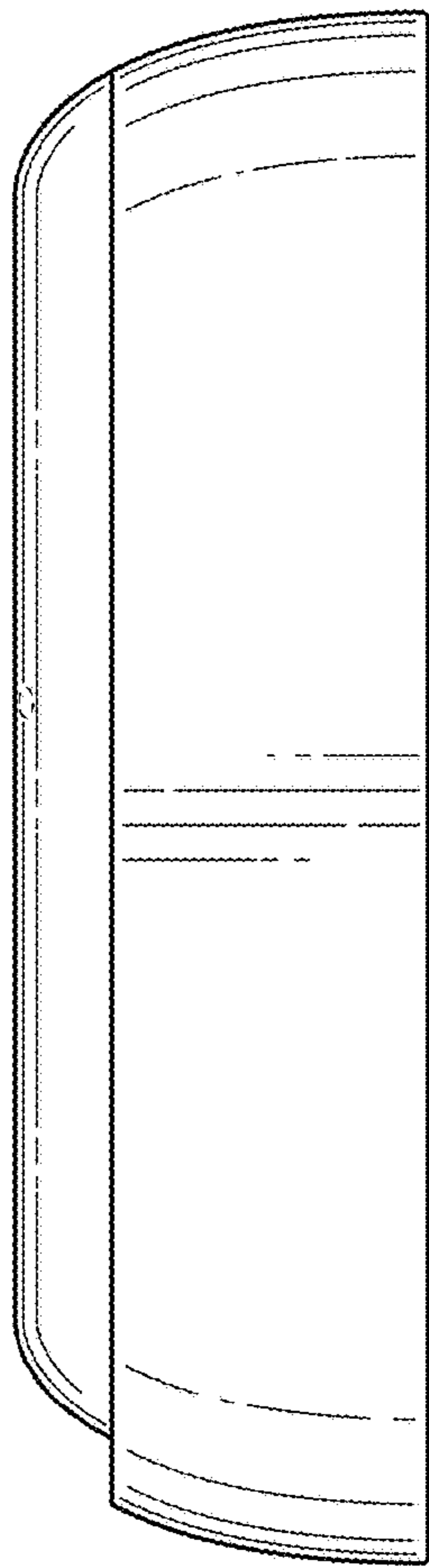


FIG. 4

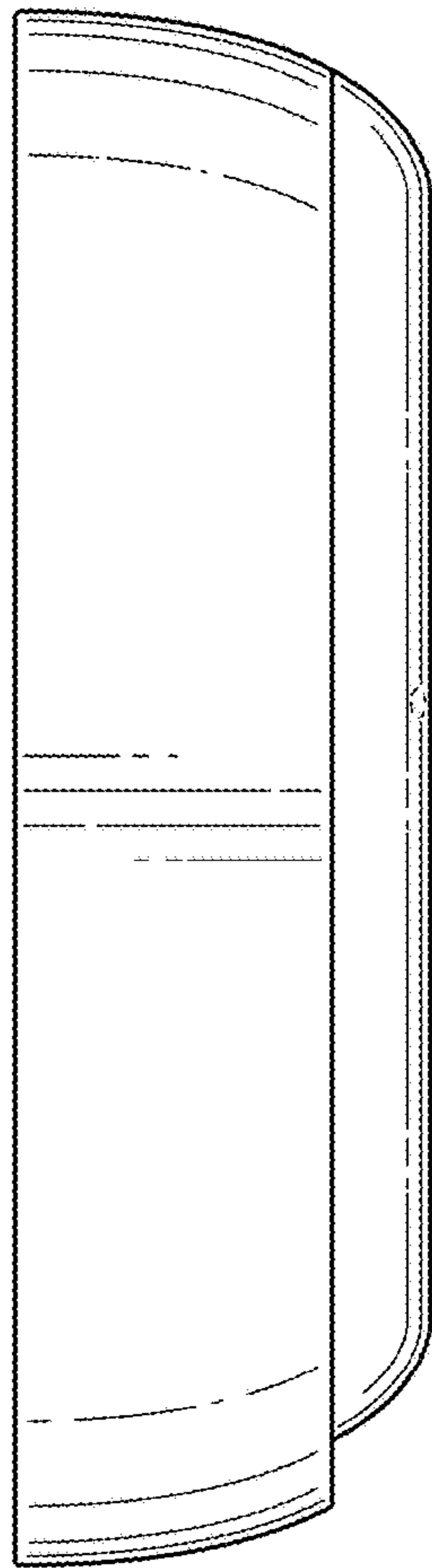


FIG. 5

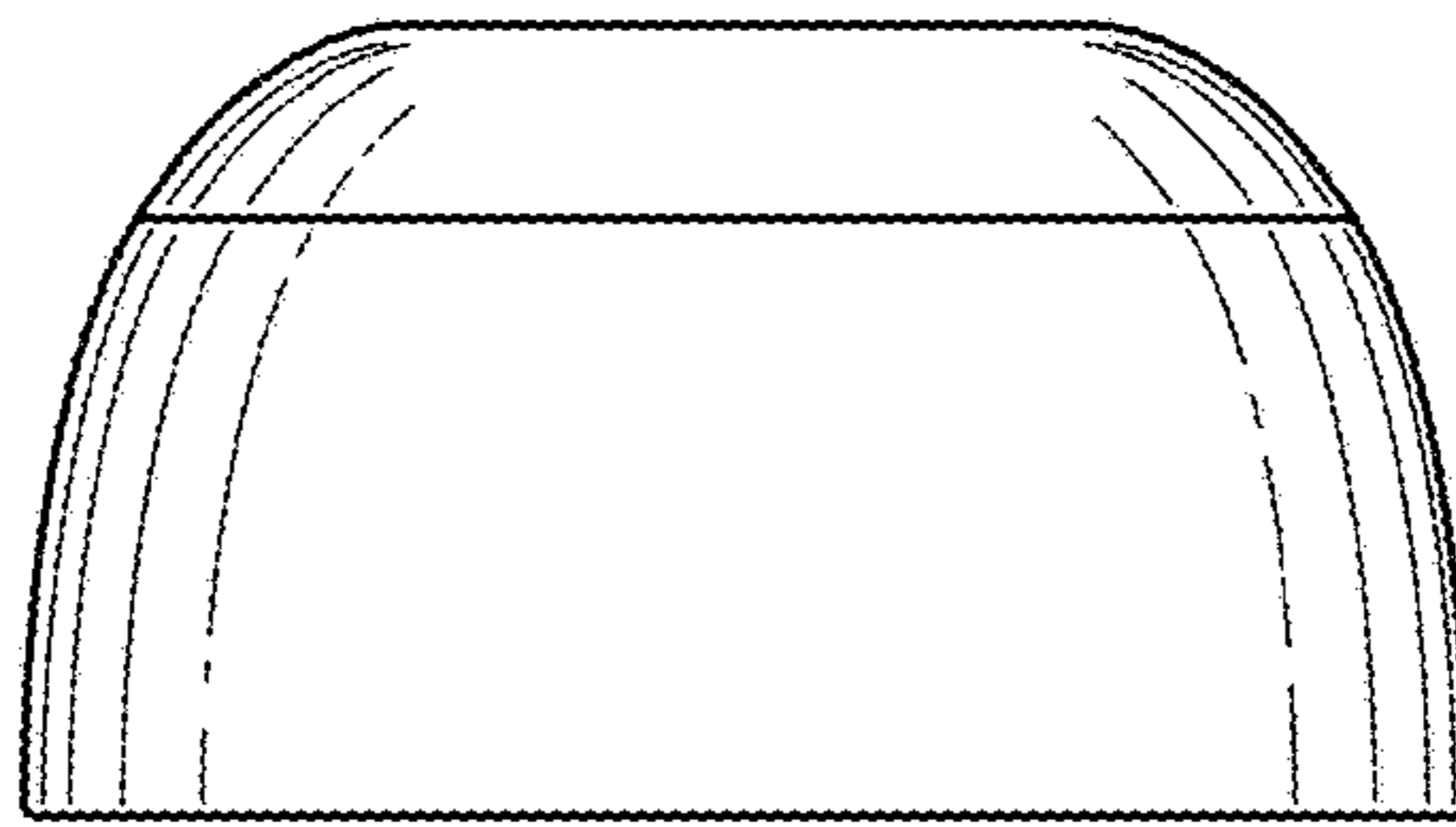


FIG. 6

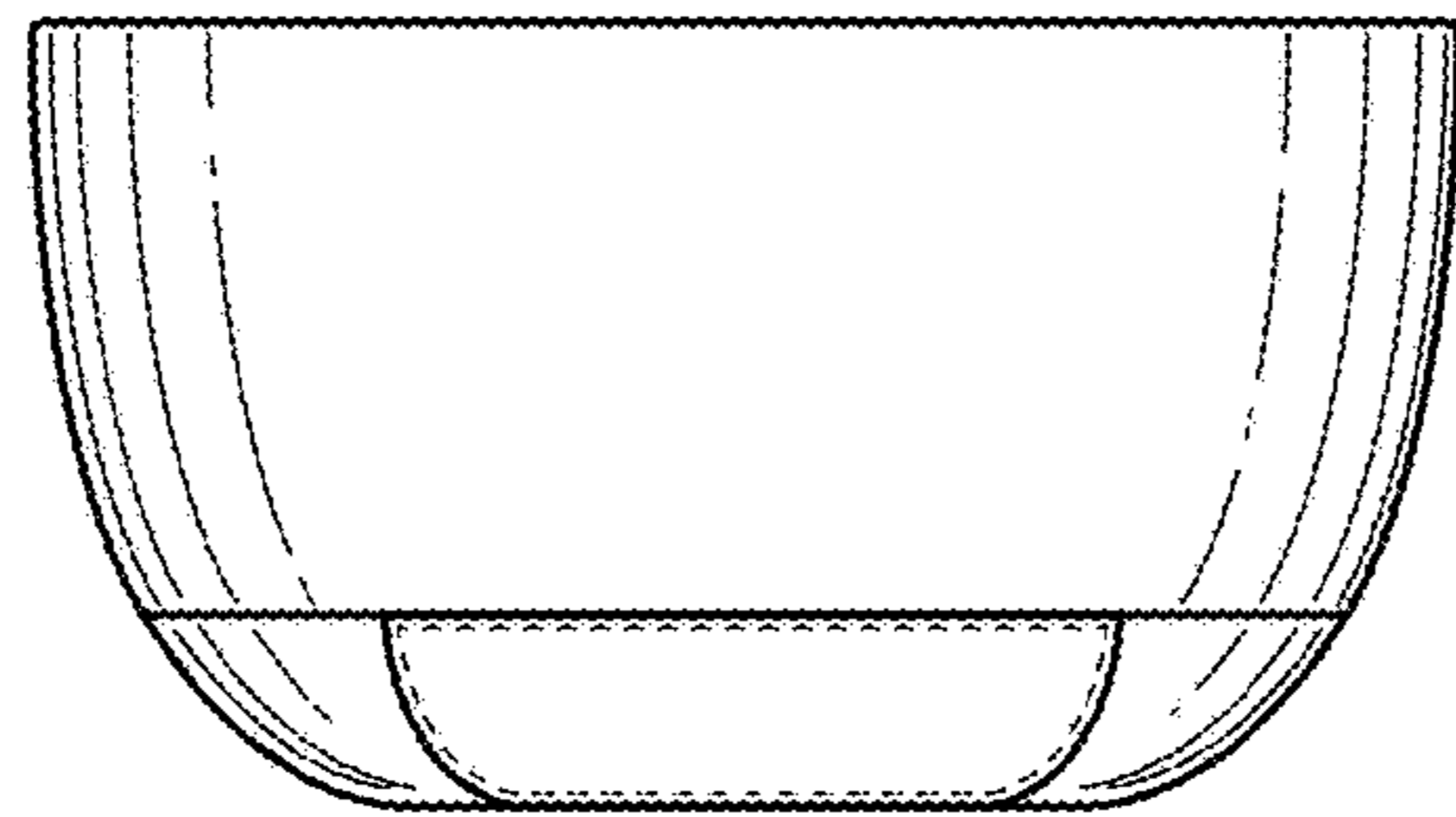


FIG. 7