



US00D862559S

(12) **United States Design Patent**  
**Johansson et al.**

(10) **Patent No.:** **US D862,559 S**  
(45) **Date of Patent:** **\*\* Oct. 8, 2019**

(54) **CAMERA MODULE**

(71) Applicant: **FLIR Systems AB**, Taby (SE)

(72) Inventors: **Jens O. Johansson**, Stockholm (SE);  
**Oscar Karlsson**, Skarpnack (SE);  
**Christian Hogstedt**, Nacka (SE)

(73) Assignee: **FLIR SYSTEMS AB**, Täby (SE)

(\*\*) Term: **14 Years**

(21) Appl. No.: **29/525,225**

(22) Filed: **Apr. 28, 2015**

(51) **LOC (12) Cl.** ..... **16-01**

(52) **U.S. Cl.**  
USPC ..... **D16/202**

(58) **Field of Classification Search**

USPC ..... D16/200, 202–206, 208, 218, 219, 242;  
348/164, 373–376; 396/529–532, 535,  
396/539–541

CPC ..... G03B 17/02; G03B 19/04; G03B 17/56;  
G03B 17/04; G03B 15/03; G03B 17/14;  
H04N 5/2251; H04N 5/2252; H04N  
5/2253; H04N 5/2254; G02B 7/02; G02B  
7/04; G02B 7/14

See application file for complete search history.

(56) **References Cited**

**U.S. PATENT DOCUMENTS**

D352,729 S *	11/1994	Tsujimura	.....	D16/202
D361,079 S *	8/1995	Ono	.....	D16/202
D404,413 S *	1/1999	Ida	.....	D16/202
D426,248 S *	6/2000	Sumita	.....	D16/202
D579,475 S *	10/2008	Aronsson	.....	D16/218
D598,038 S *	8/2009	Takahashi	.....	D16/200
7,924,312 B2 *	4/2011	Packard	.....	H04N 5/2258 348/164
D665,004 S *	8/2012	Lofgren	.....	D16/206
8,384,783 B2	2/2013	Strandemar et al.		
8,766,808 B2	7/2014	Hogasten		

8,803,093 B2	8/2014	Jönsson		
D718,801 S *	12/2014	Zetterlund	.....	D16/218
D747,391 S *	1/2016	Sakai	.....	D16/218
D753,208 S *	4/2016	Elrod	.....	D16/208
D758,468 S *	6/2016	Darty	.....	D16/207
2008/0099678 A1 *	5/2008	Johnson	.....	G01J 5/02 250/332

\* cited by examiner

*Primary Examiner* — Ramzi S Almatrahi

(74) *Attorney, Agent, or Firm* — Haynes and Boone, LLP

(57) **CLAIM**

The ornamental design for a camera module, as shown and described.

**DESCRIPTION**

FIG. 1 is a front-left-top perspective view of a camera module showing the new design illustrated in a first orientation;

FIG. 2 is a rear-right-bottom perspective view thereof;

FIG. 3 is a top plan view thereof;

FIG. 4 is a bottom plan view thereof;

FIG. 5 is left side elevational view thereof;

FIG. 6 is a right side elevational view thereof;

FIG. 7 is a front side elevational view thereof; and

FIG. 8 is a rear side elevational view thereof.

FIG. 9 is a front-left-top perspective view of the camera module illustrated in a second orientation;

FIG. 10 is a rear-right-bottom perspective view thereof;

FIG. 11 is a top plan view thereof;

FIG. 12 is a bottom plan view thereof;

FIG. 13 is a left side elevational view thereof;

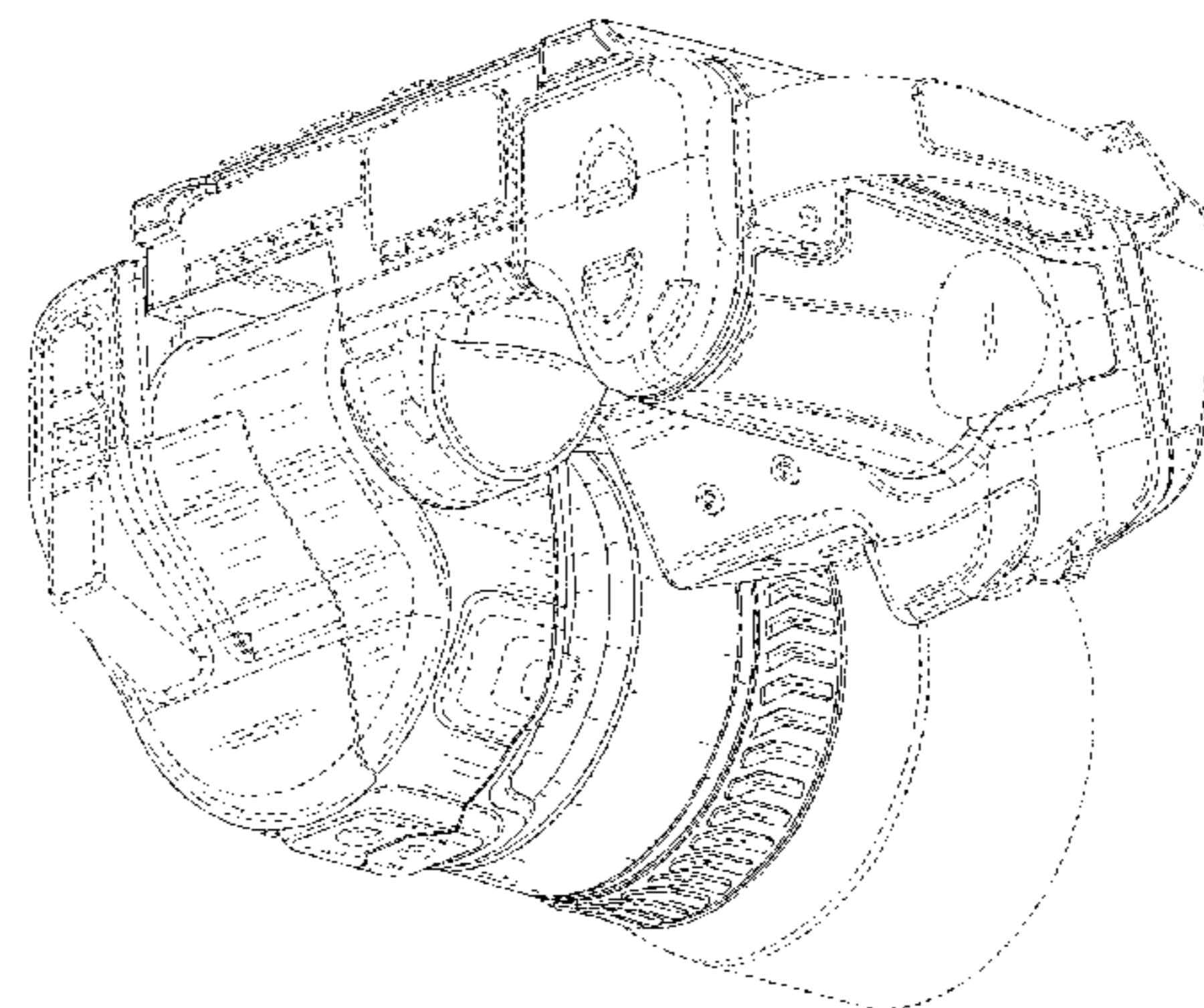
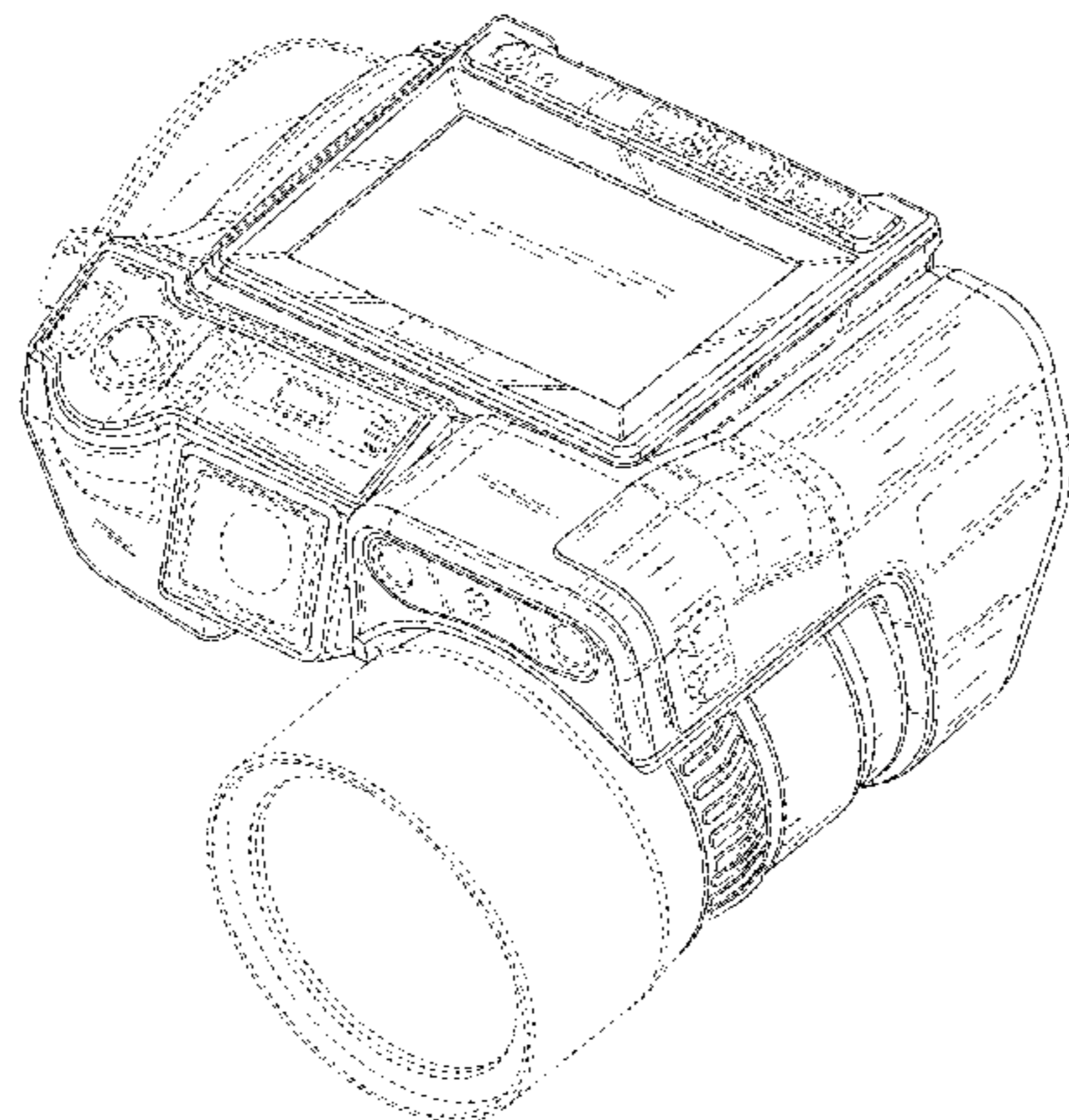
FIG. 14 is a right side elevational view thereof;

FIG. 15 is a front side elevational view thereof; and

FIG. 16 is a rear side elevational view thereof.

The broken lines in the figures depict portions of the camera module in which the design is embodied that form no part of the claimed design.

**1 Claim, 16 Drawing Sheets**



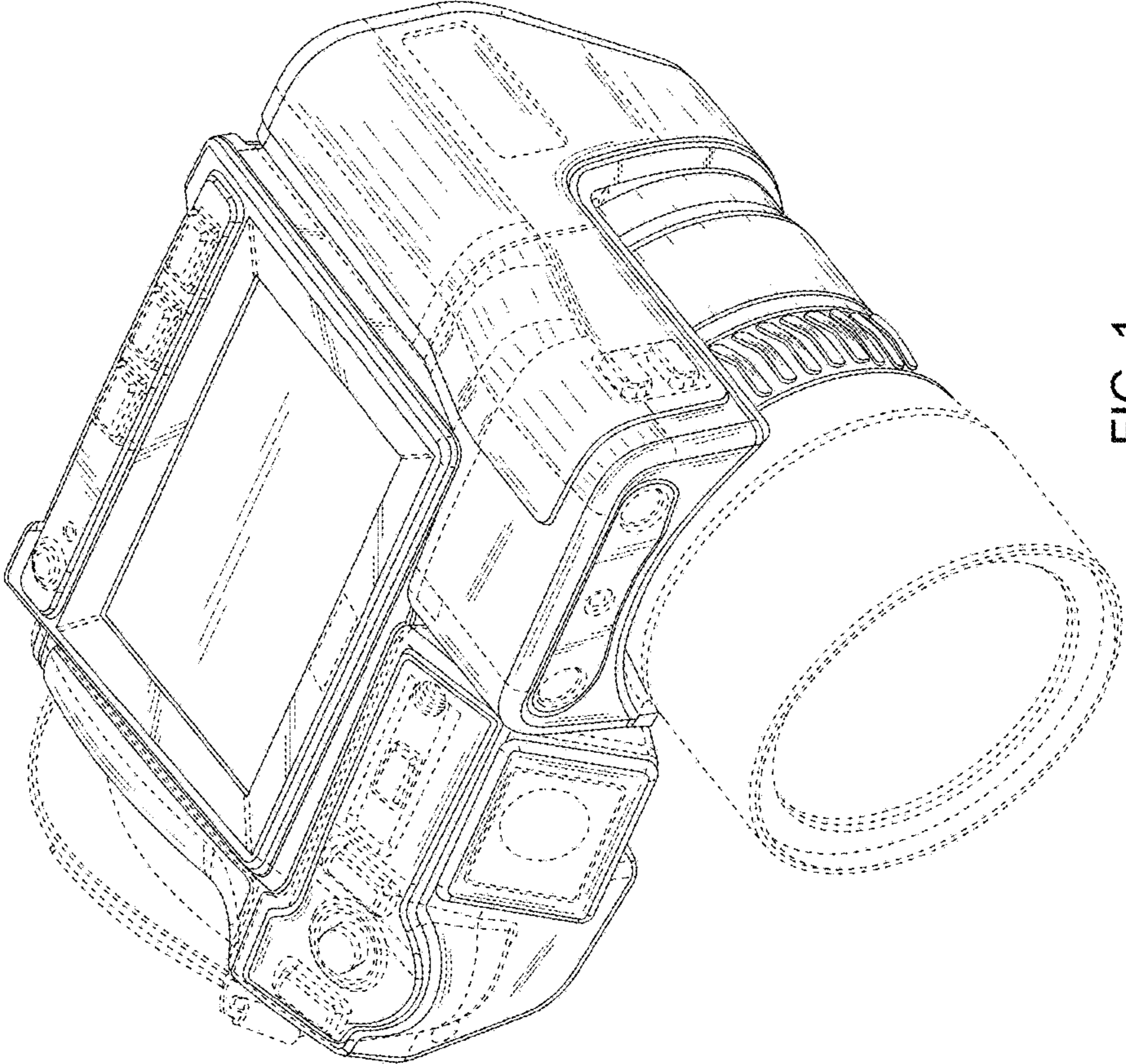


FIG. 1



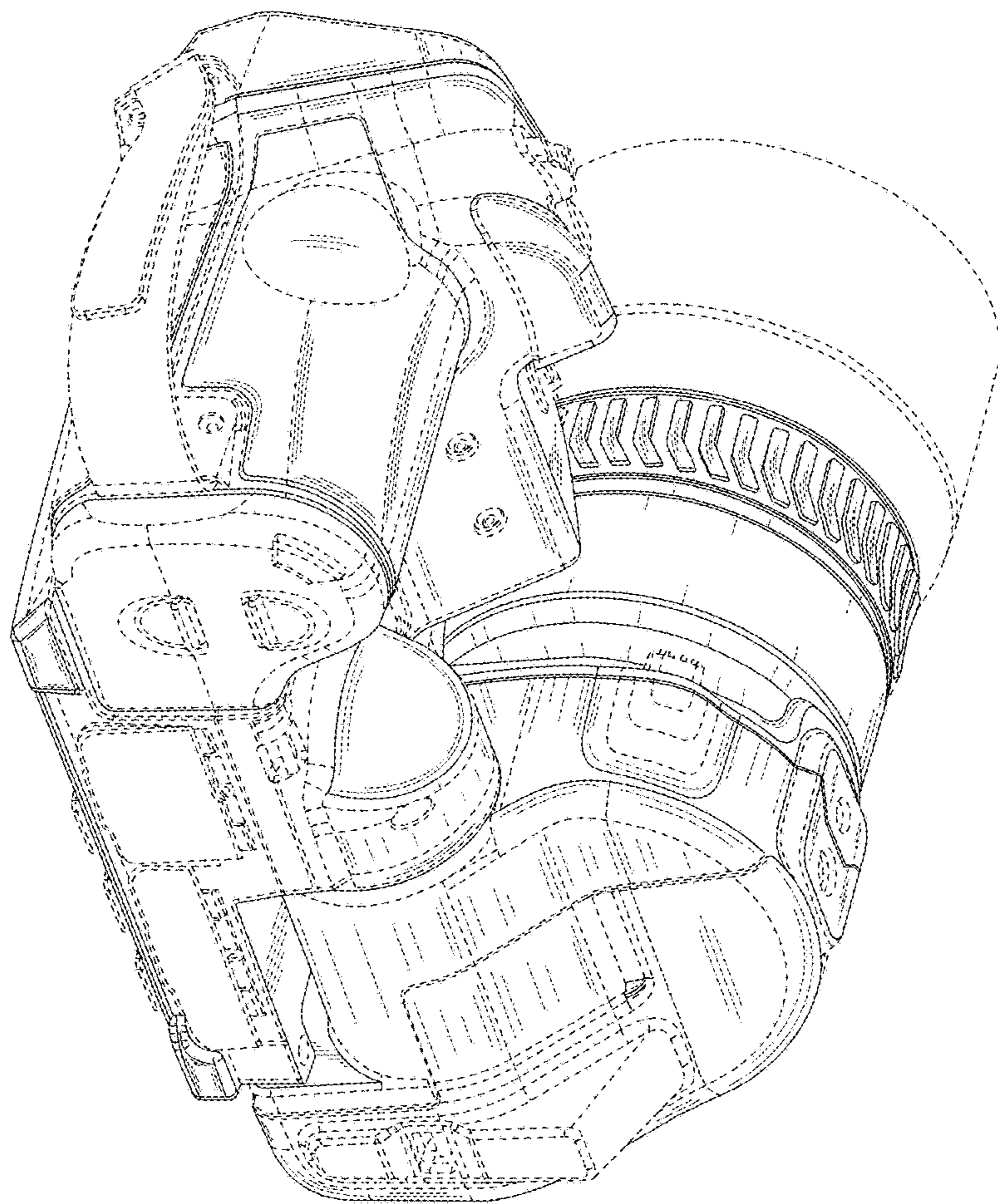


FIG. 2

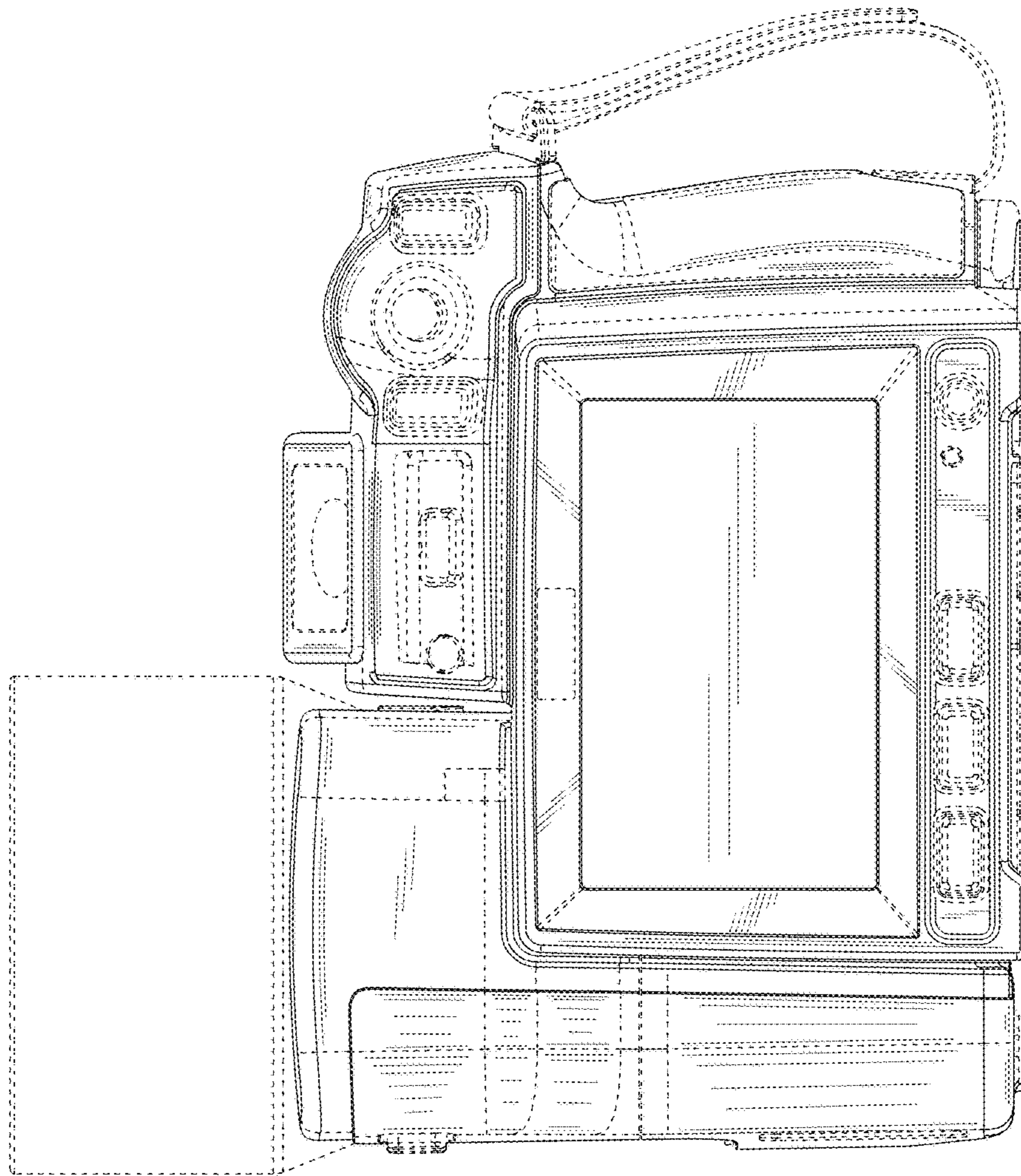


FIG. 3

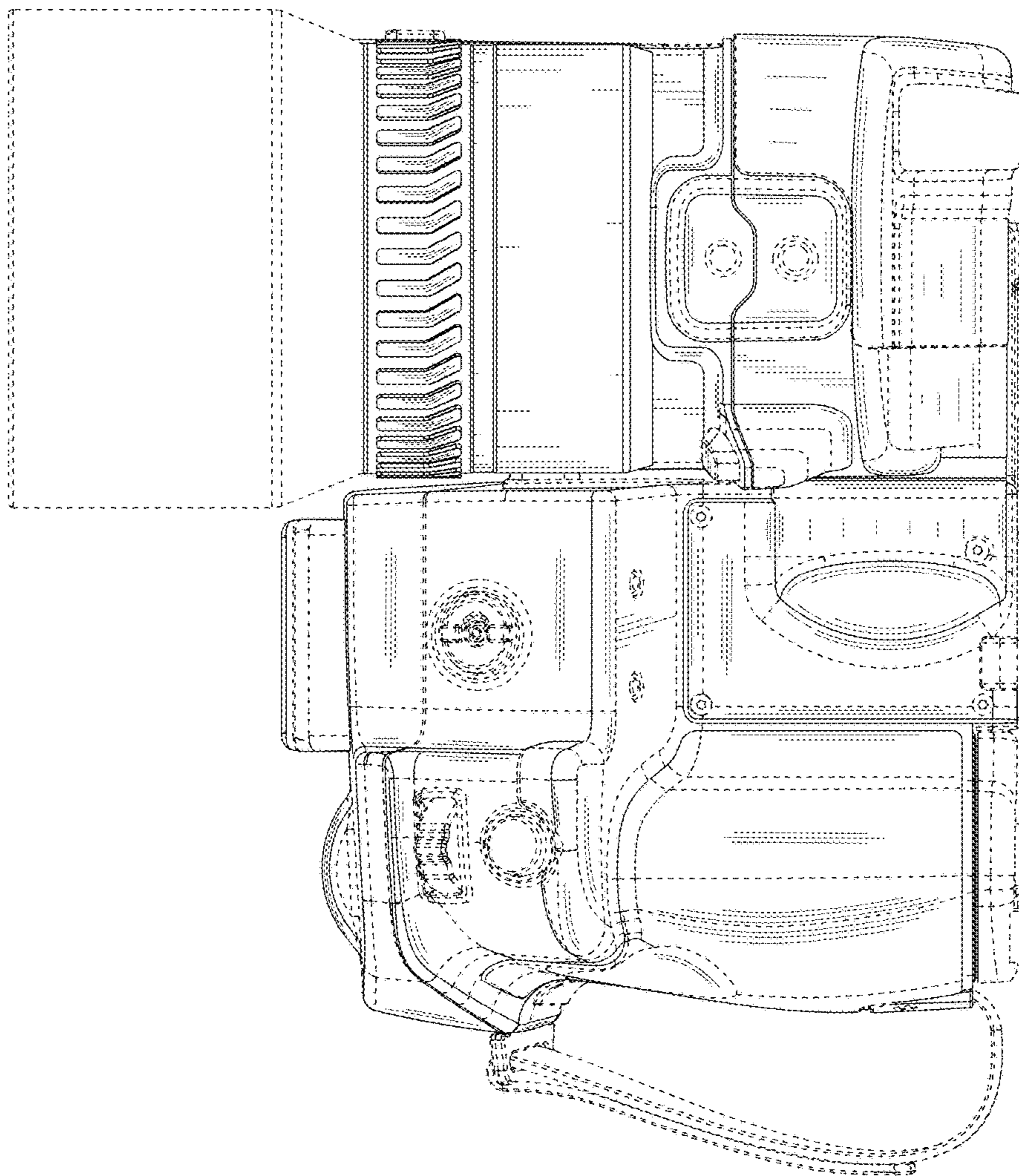


FIG. 4



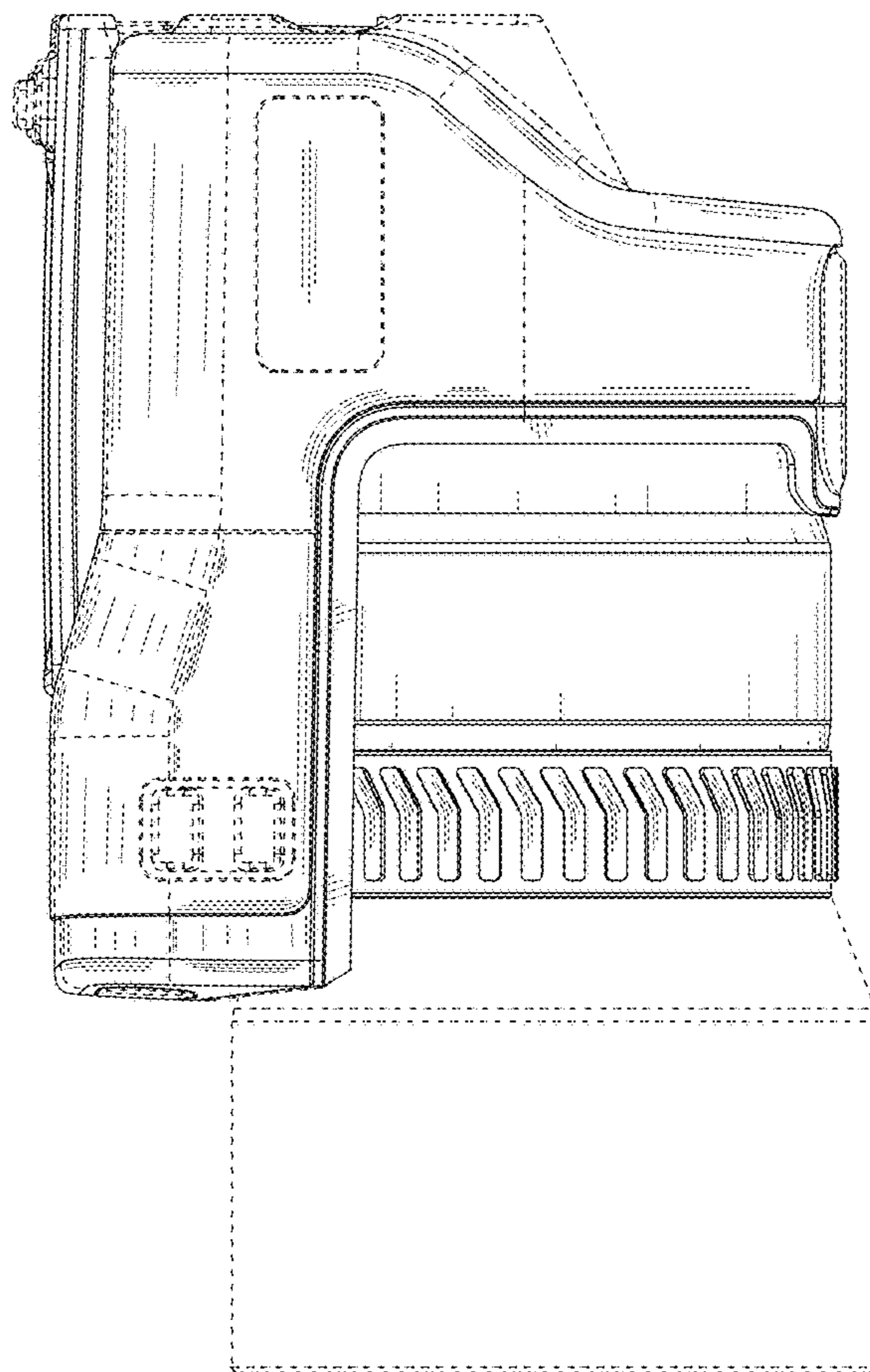


FIG. 5

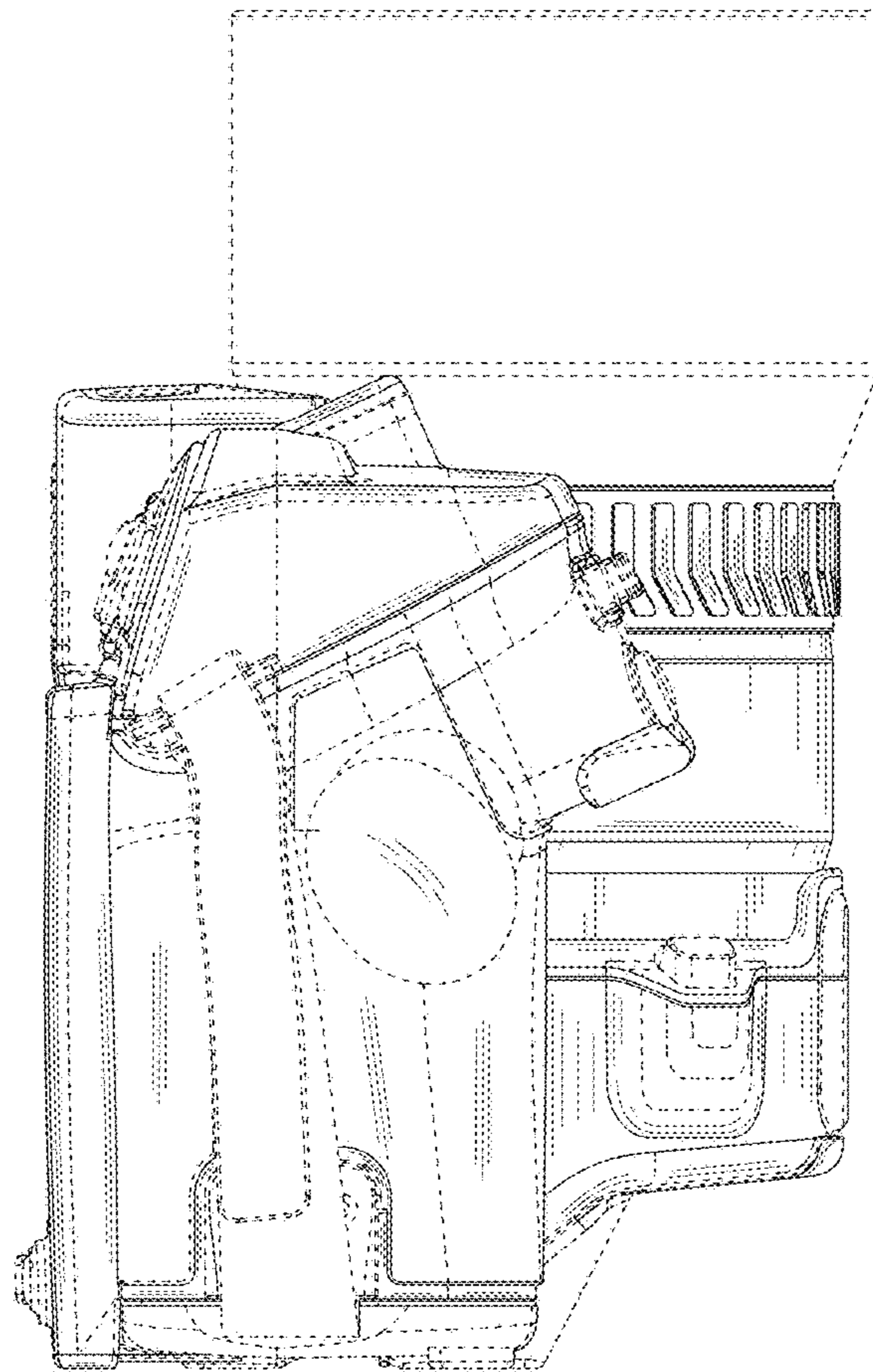


FIG. 6

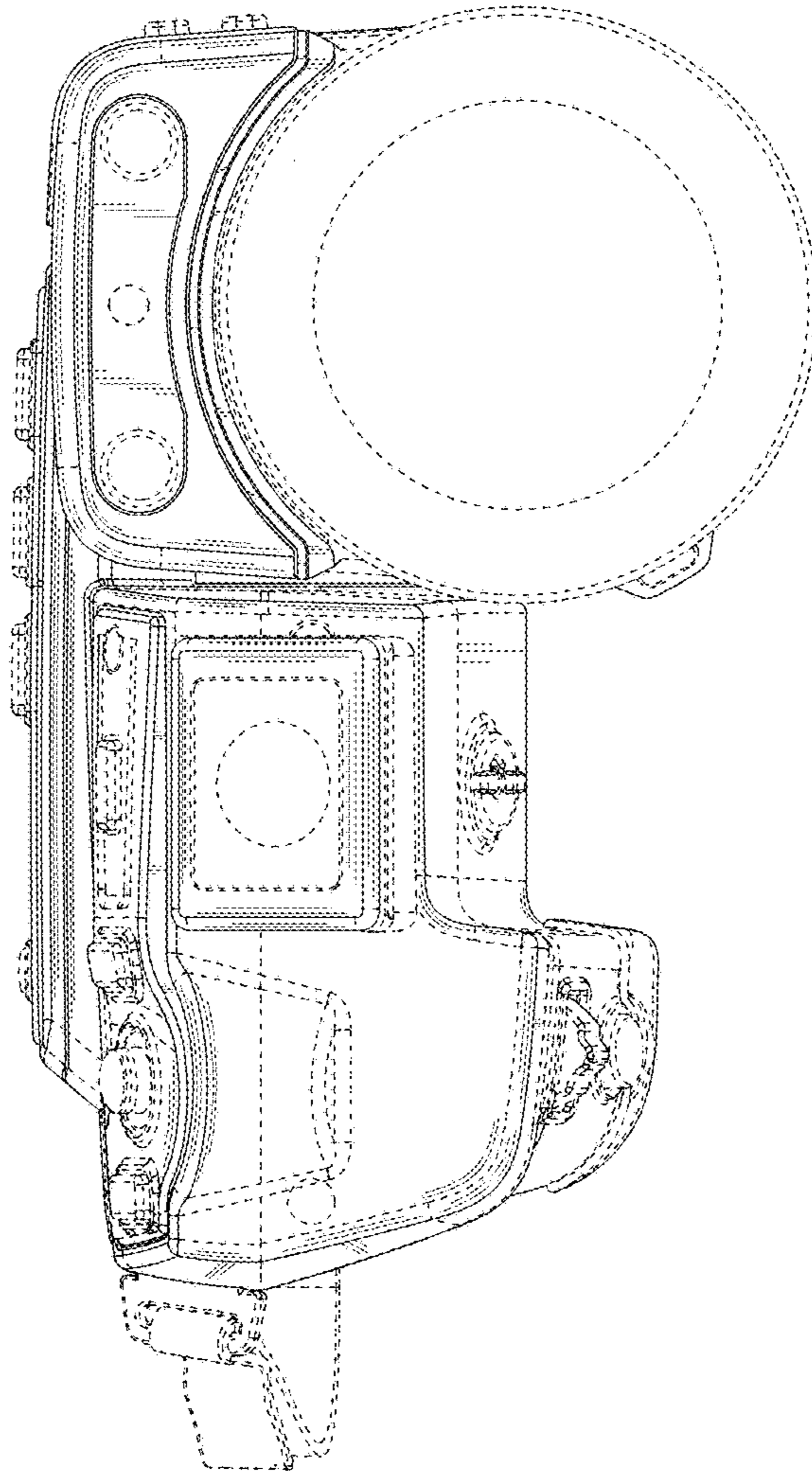


FIG. 7



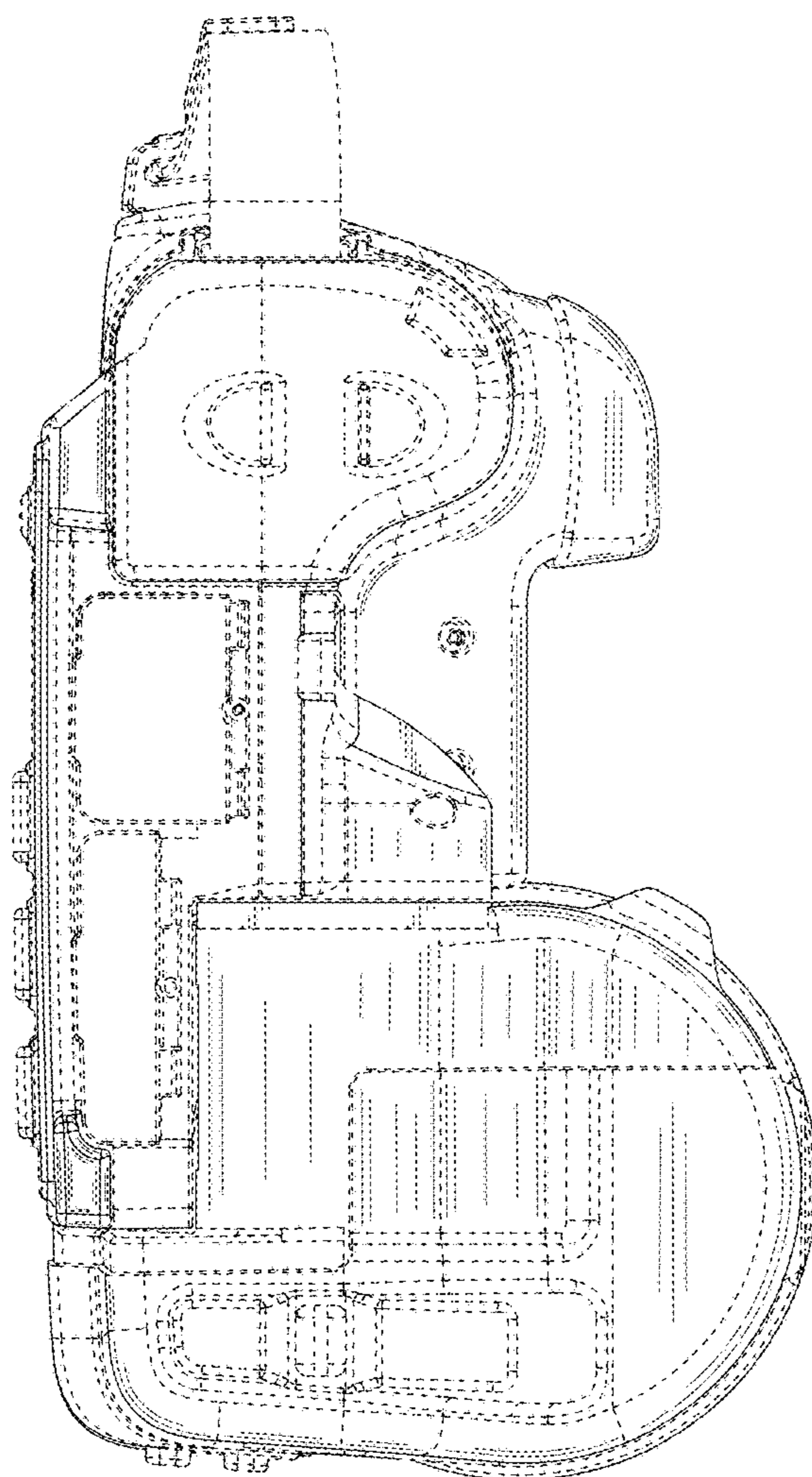


FIG. 8

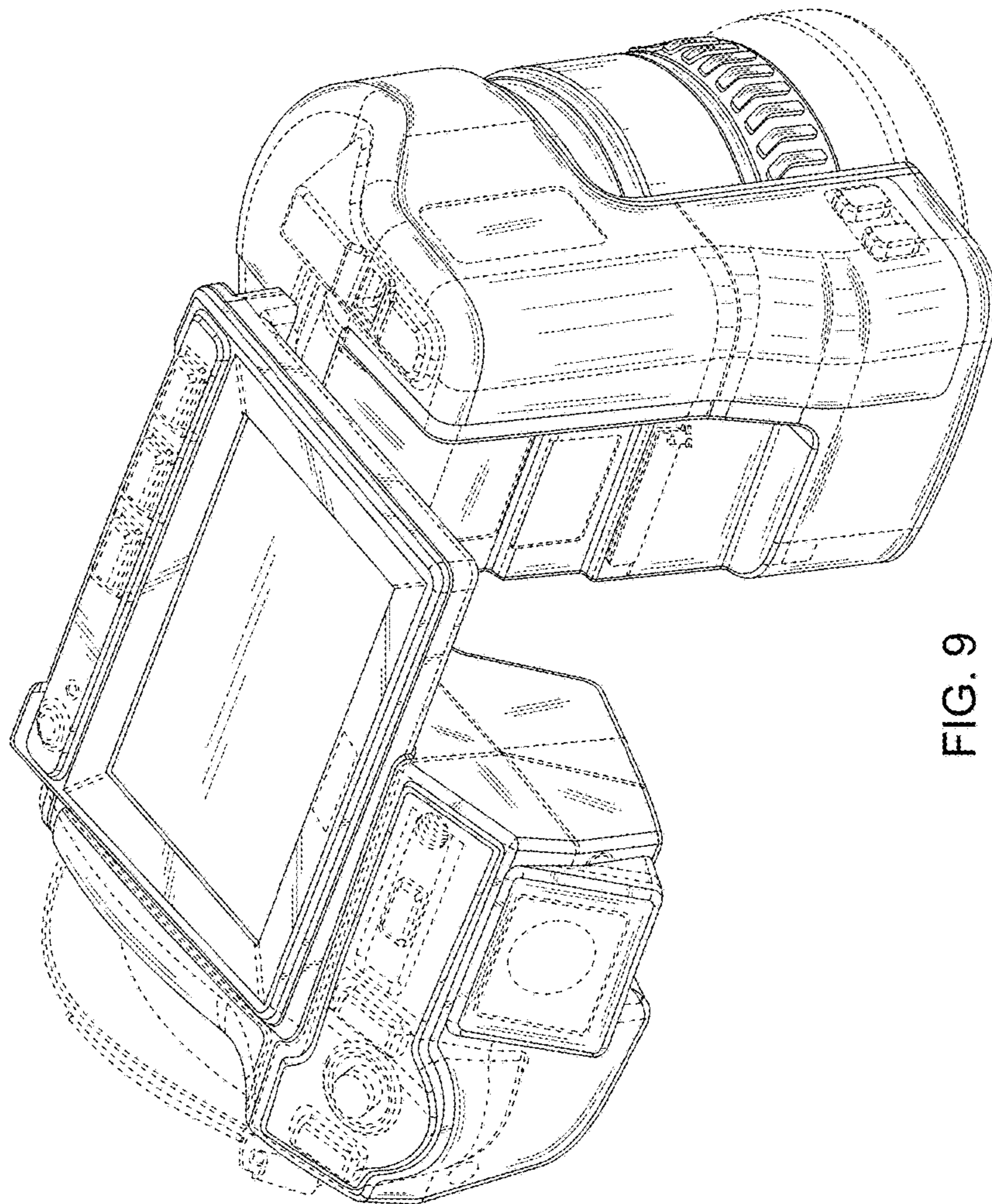


FIG. 9

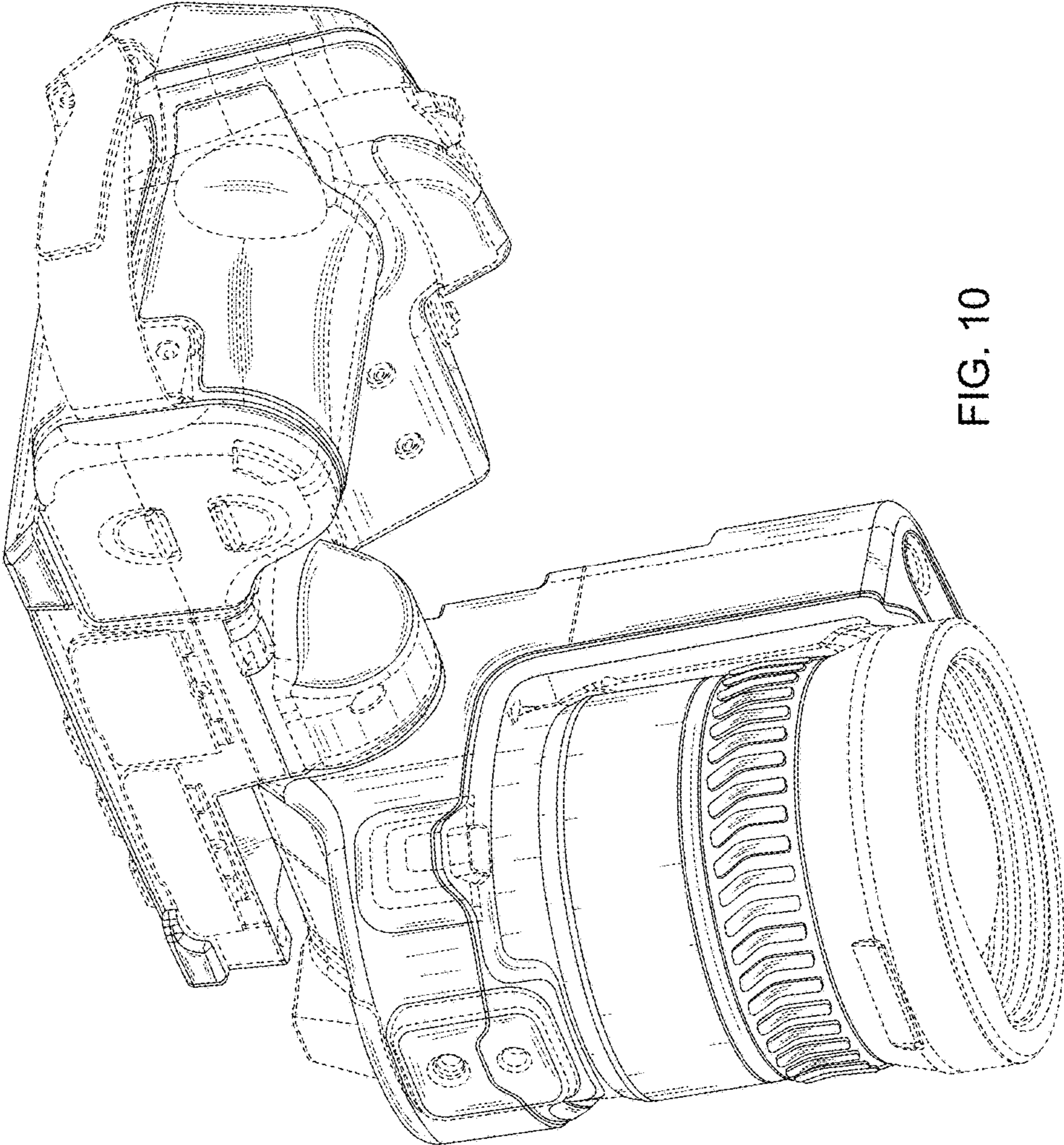


FIG. 10



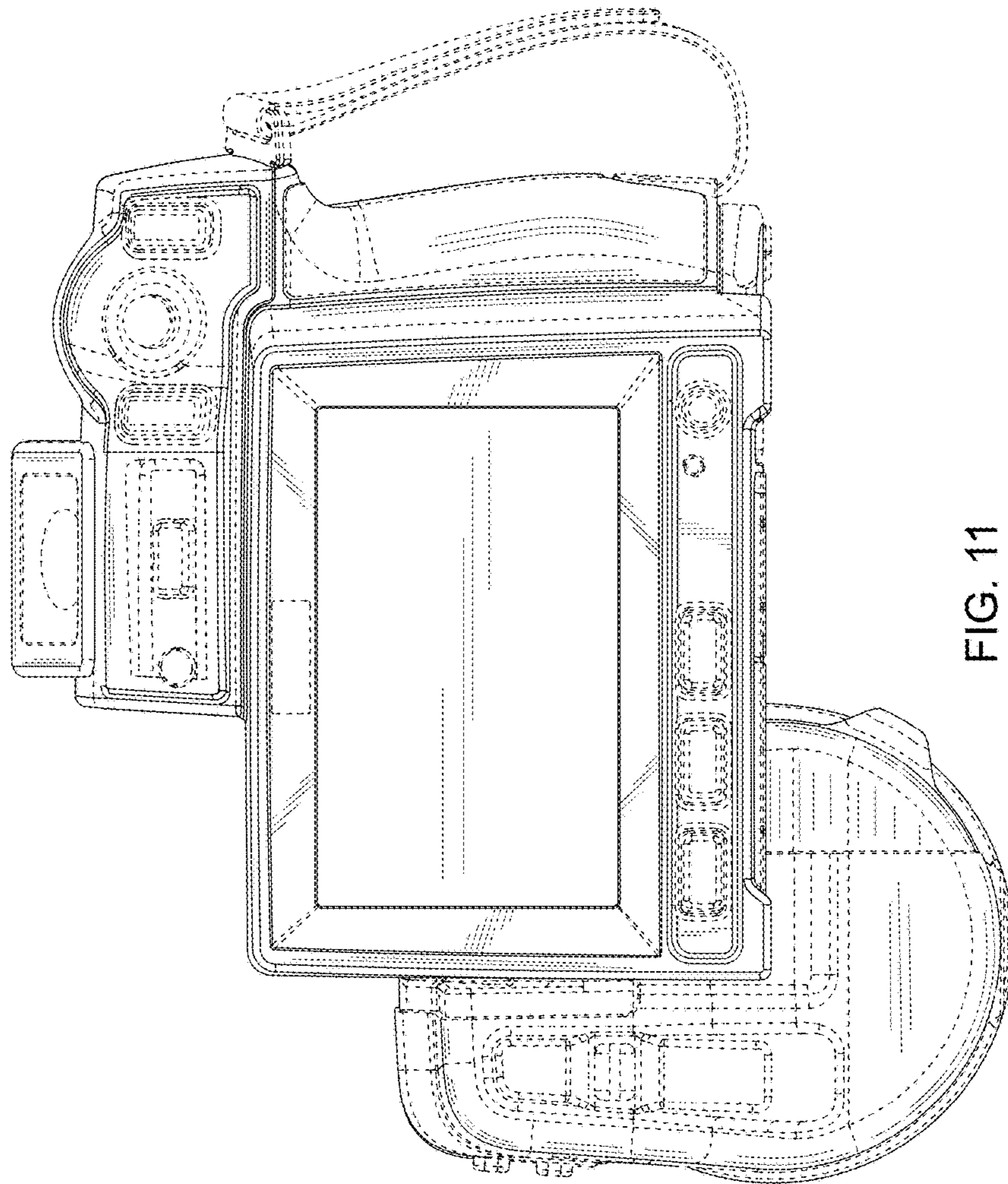


FIG. 11

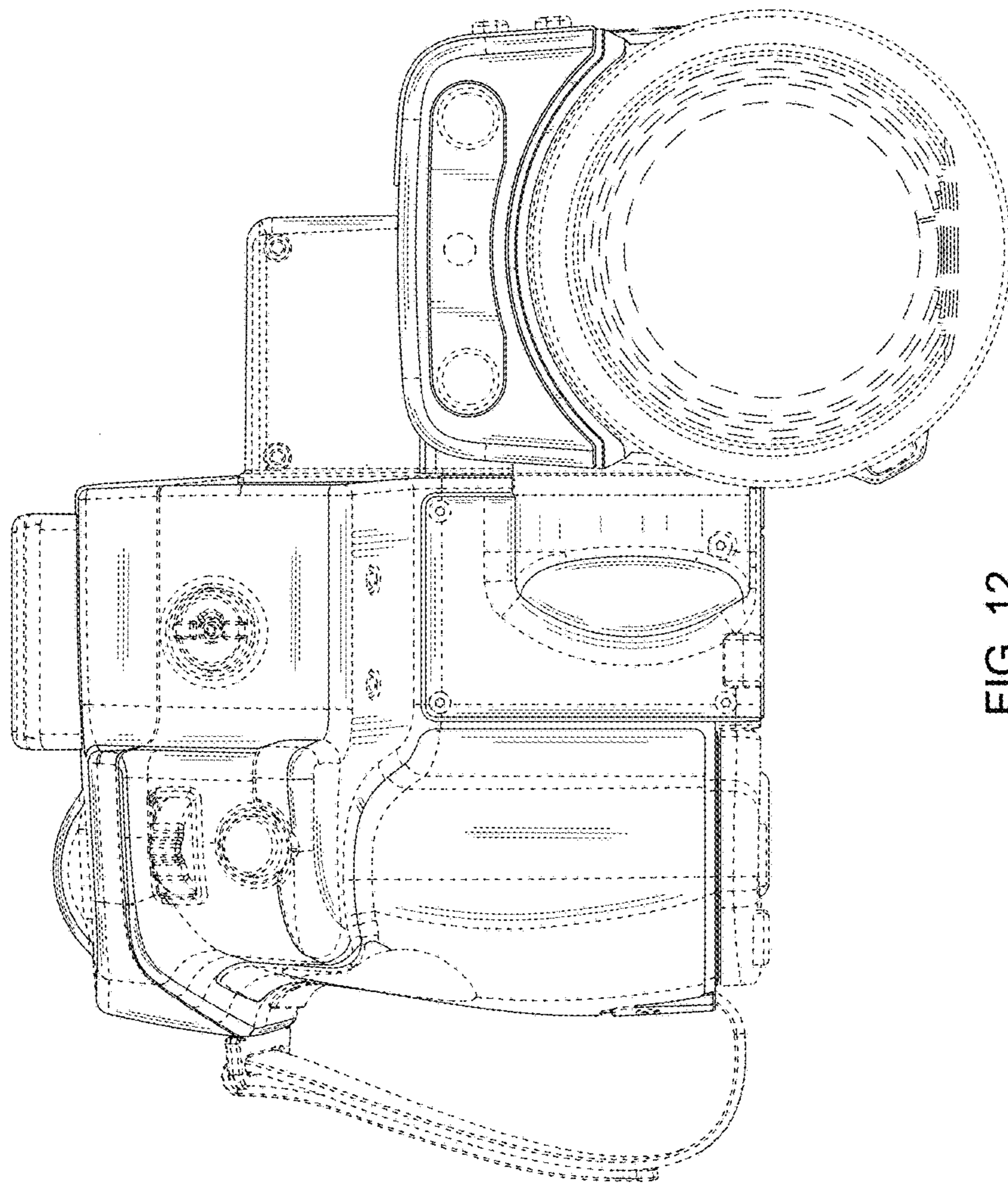


FIG. 12

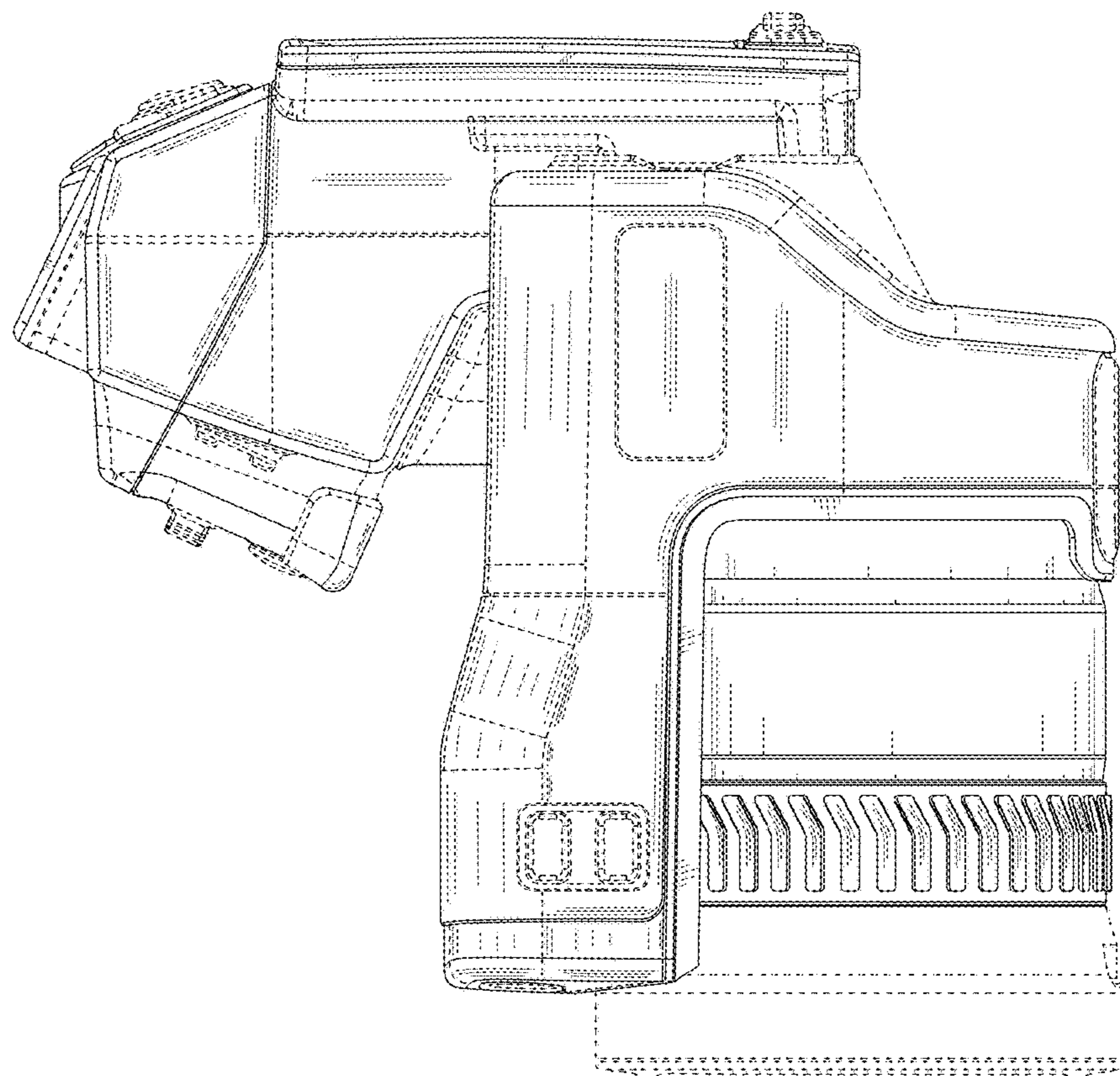


FIG. 13



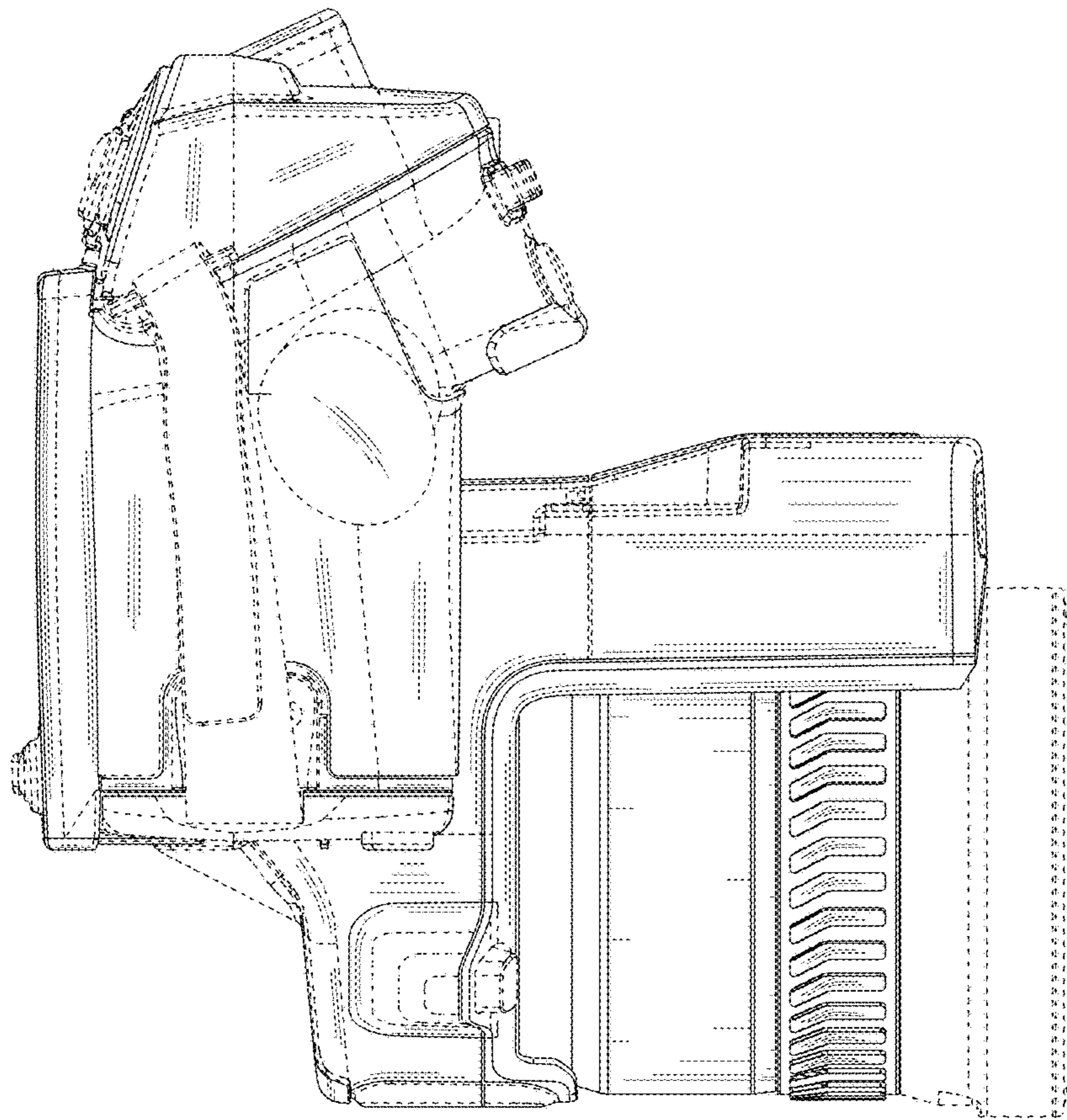


FIG. 14

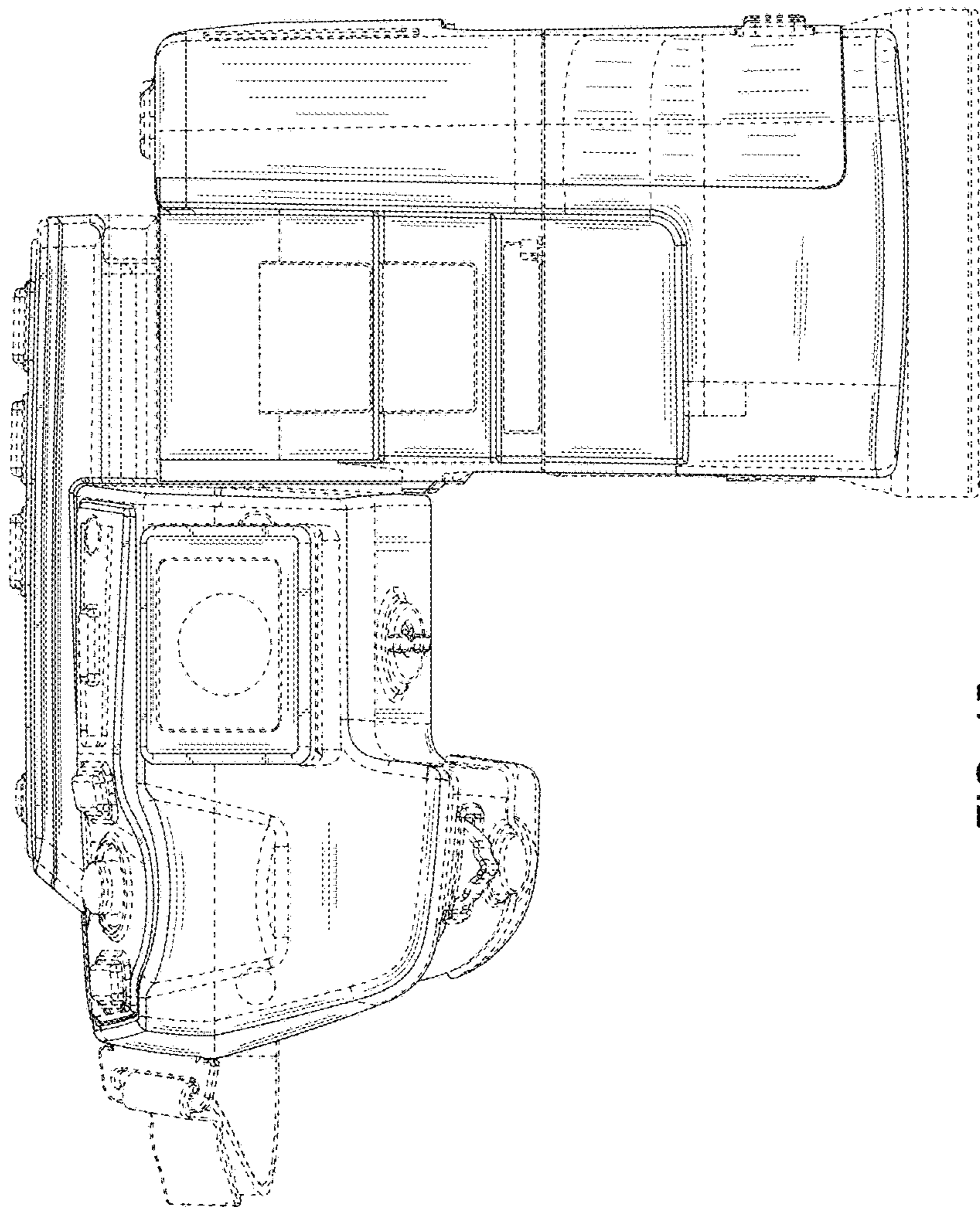


FIG. 15

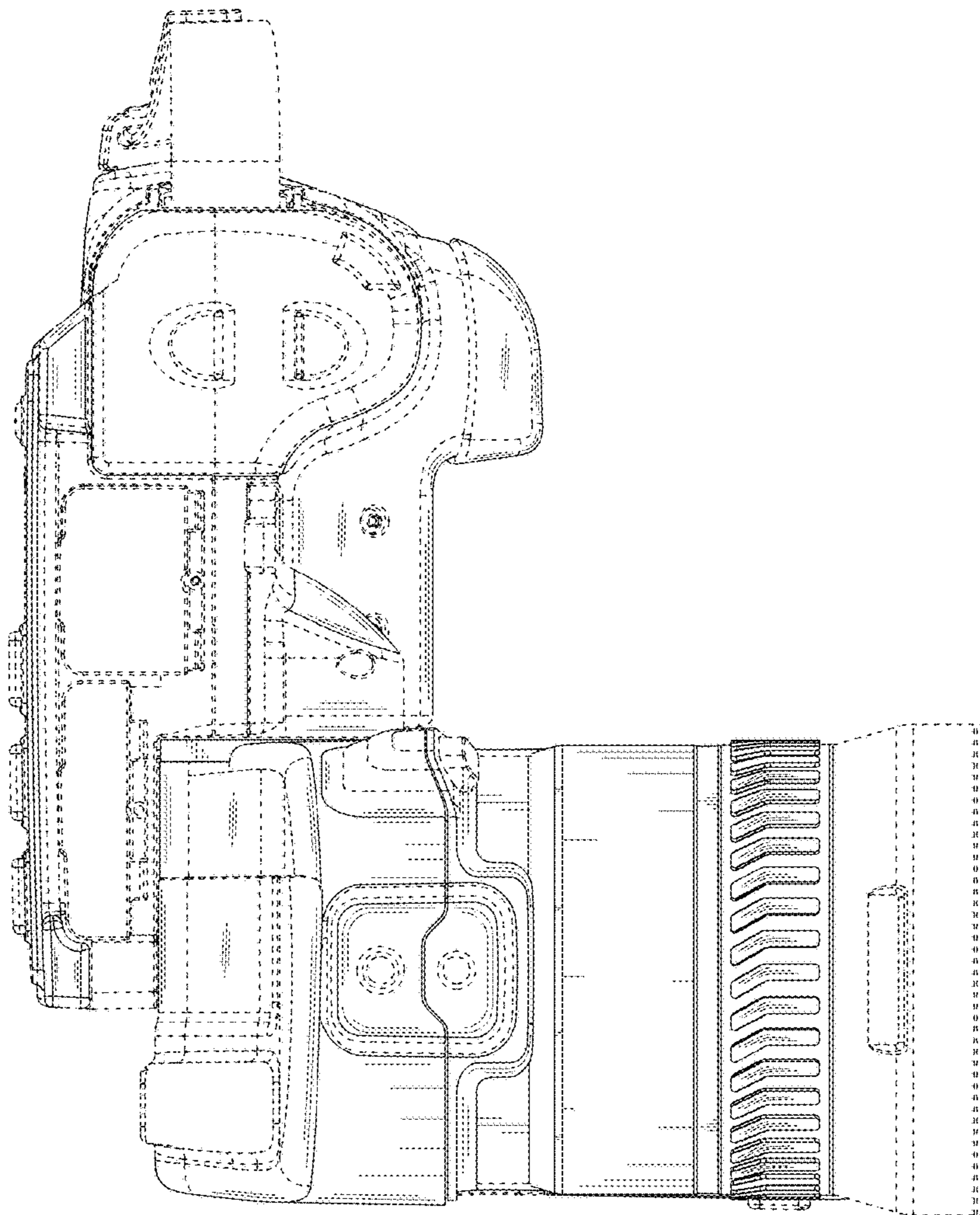


FIG. 16