



US00D862558S

(12) **United States Design Patent** (10) **Patent No.:** **US D862,558 S**
Larsson (45) **Date of Patent:** **** Oct. 8, 2019**

(54) **OPTICAL SIGHT**
(71) Applicant: **Aimpoint AB**, Malmö (SE)
(72) Inventor: **Niklas Larsson**, Akarp (SE)
(73) Assignee: **AIMPOINT AB**, Malmo (SE)
(**) Term: **15 Years**
(21) Appl. No.: **29/567,229**
(22) Filed: **Jun. 7, 2016**
(51) **LOC (12) Cl.** **16-06**
(52) **U.S. Cl.**
USPC **D16/132**
(58) **Field of Classification Search**
USPC D10/46, 46.2, 47, 50, 57, 72, 74, 76, 78,
D10/80, 100, 102, 103, 124, 125;
D16/130–136, 200, 202, 203, 218, 219;
D22/108, 109, 100, 110, 199; D24/133,
D24/137, 138
CPC .. F41G 3/08; G01C 3/085; G01C 3/08; G01C
3/06; G01C 3/04; G01C 3/02; G01C 3/00
See application file for complete search history.

D791,852 S * 7/2017 Harding D16/132
D815,676 S * 4/2018 Perry D16/132
D817,376 S * 5/2018 Vogl D16/132
D818,512 S * 5/2018 Massegg D16/132

* cited by examiner

Primary Examiner — Mark A Goodwin
Assistant Examiner — Benjamin M Weeks
(74) *Attorney, Agent, or Firm* — Thomas|Horstemeyer,
LLP

(57) **CLAIM**

The ornamental design for an optical sight, as shown and described.

DESCRIPTION

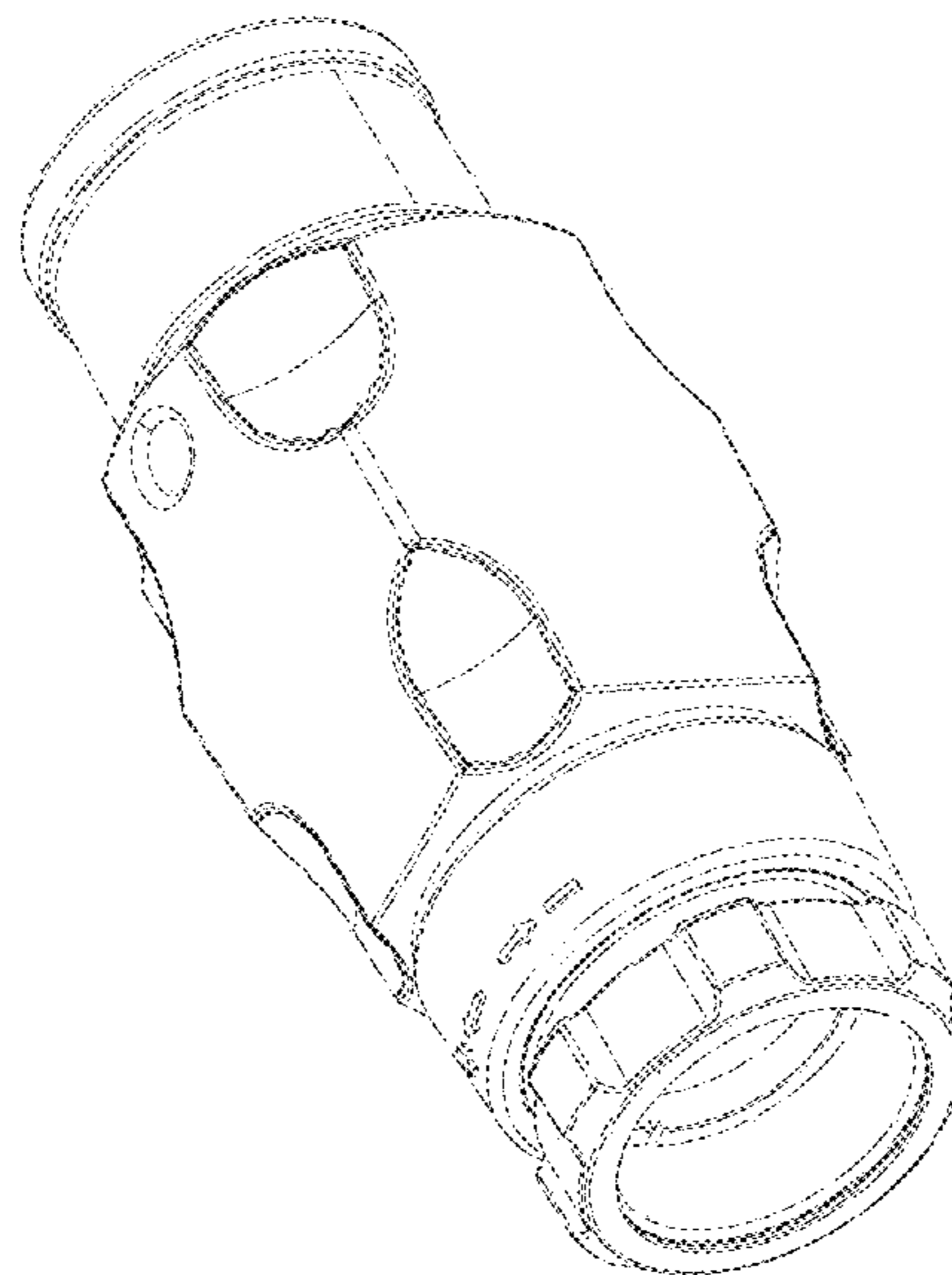
FIG. 1 is a perspective view of my new optical sight;
FIG. 2 is an end view of my new optical sight of FIG. 1;
FIG. 3 is an end view of my new optical sight of FIG. 1 from the side opposite that of FIG. 2;
FIG. 4 is a side view of my new optical sight of FIG. 1;
FIG. 5 is a side view of my new optical sight of FIG. 1 from the side opposite that of FIG. 4;
FIG. 6 is a top plan view of my optical sight of FIG. 1;
FIG. 7 is a bottom plan view of my optical sight of FIG. 1;
FIG. 8 is a perspective view of another embodiment of my new optical sight of FIG. 1;
FIG. 9 is an end view of my new optical sight of FIG. 8;
FIG. 10 is an end view of my new optical sight of FIG. 8 from the side opposite that of FIG. 9;
FIG. 11 is a side view of my new optical sight of FIG. 8;
FIG. 12 is a side view of my new optical sight of FIG. 8 from the side opposite that of FIG. 11;
FIG. 13 is a top plan view of my new optical sight of FIG. 8; and,
FIG. 14 is a bottom plan view of my new optical sight of FIG. 8.

(56) **References Cited**

U.S. PATENT DOCUMENTS

D439,259 S * 3/2001 Yamaguchi D16/132
D479,255 S * 9/2003 Hamamura D16/132
D519,868 S * 5/2006 Sasano D10/103
D572,740 S * 7/2008 Kitera D16/132
D587,290 S * 2/2009 Meinzer D16/132
D635,173 S * 3/2011 Yamakawa D16/203
D640,722 S * 6/2011 Green D16/219
D646,705 S * 10/2011 Wu D16/132
D685,831 S * 7/2013 Wunnicke D16/132
D695,327 S * 12/2013 Hoelbl D16/132
D724,129 S * 3/2015 Marsiglia D16/132
D731,571 S * 6/2015 Imamizu D16/132
D732,592 S * 6/2015 Imamizu D16/132

1 Claim, 14 Drawing Sheets



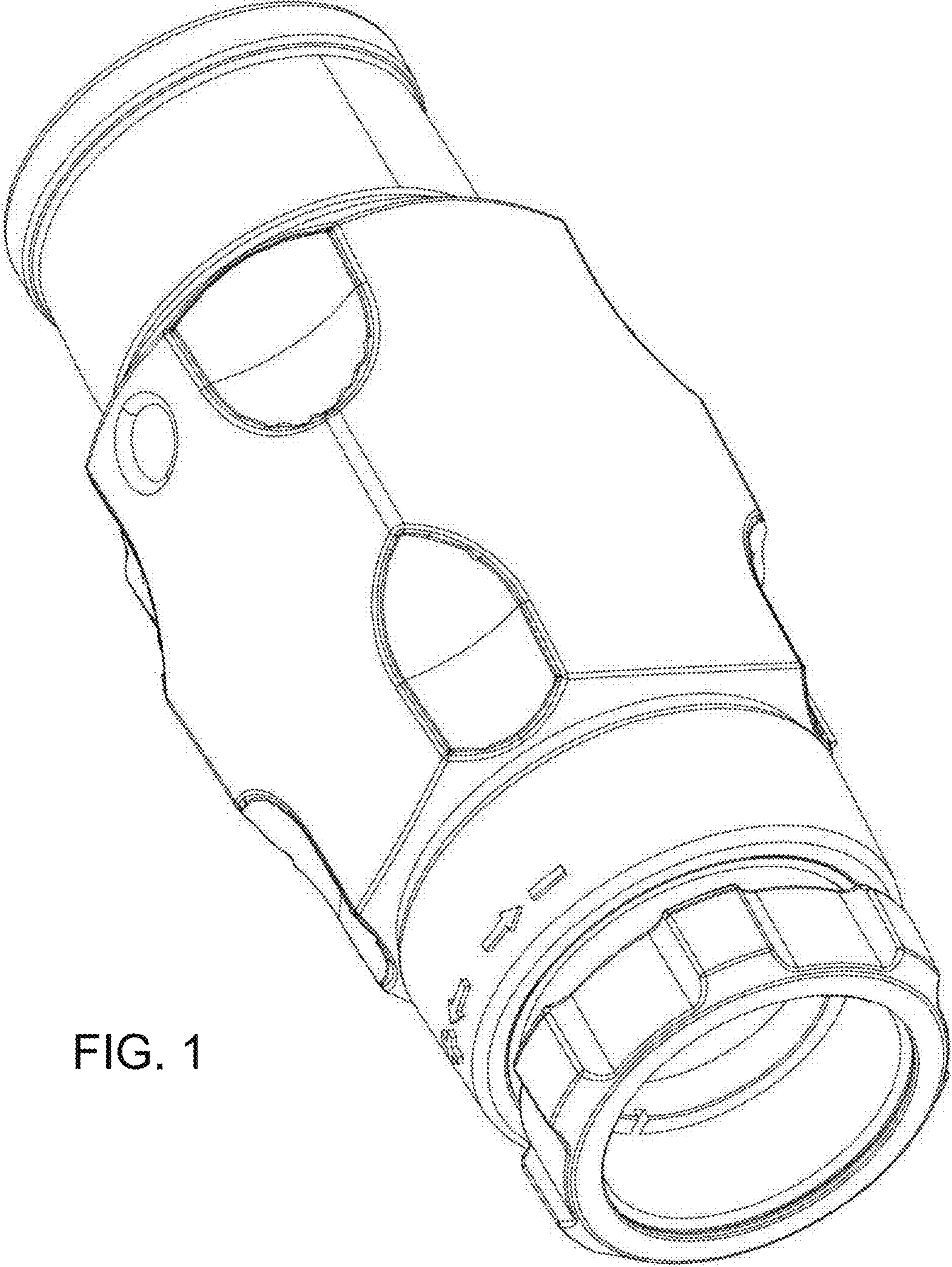


FIG. 1

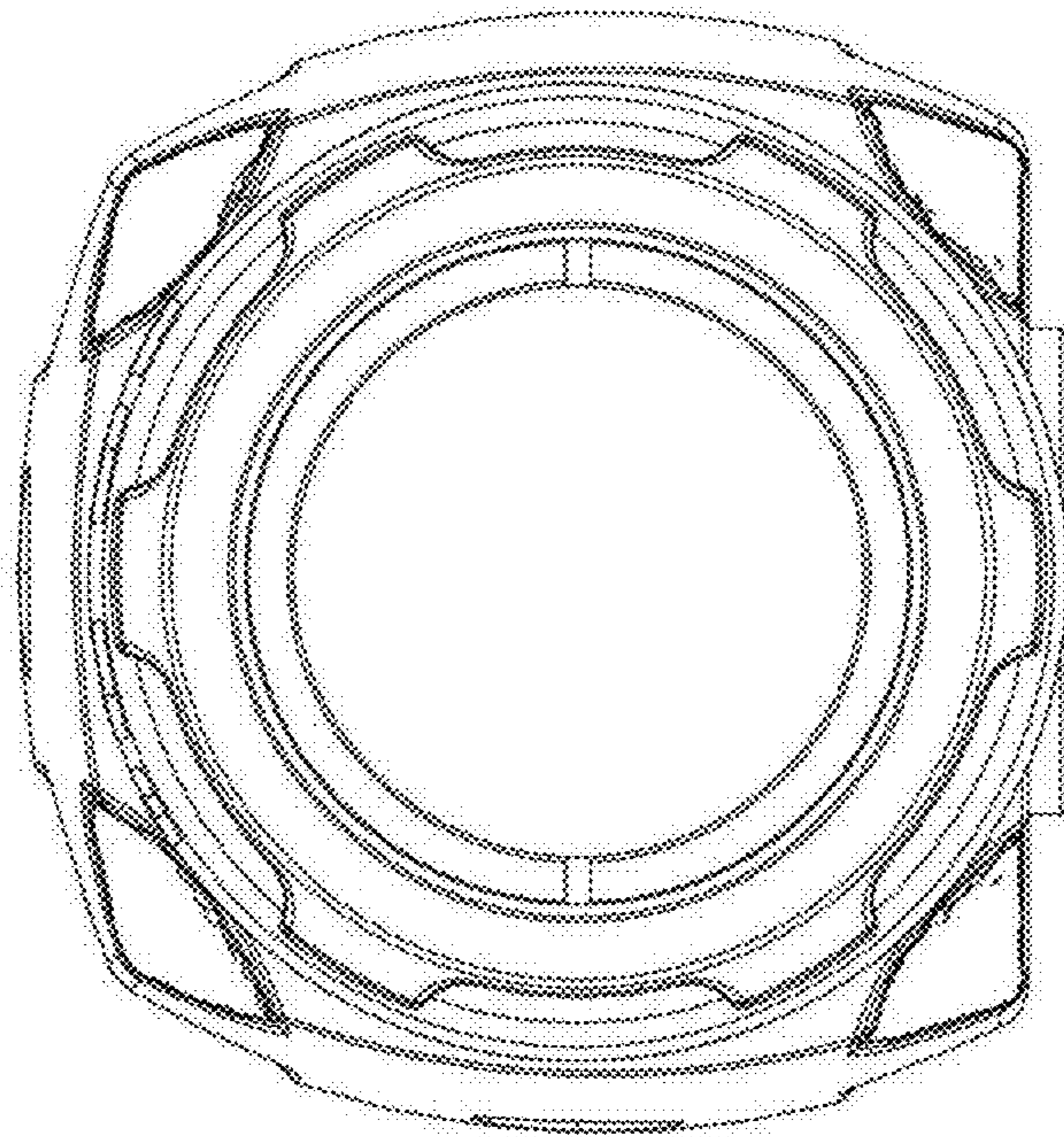


FIG. 2

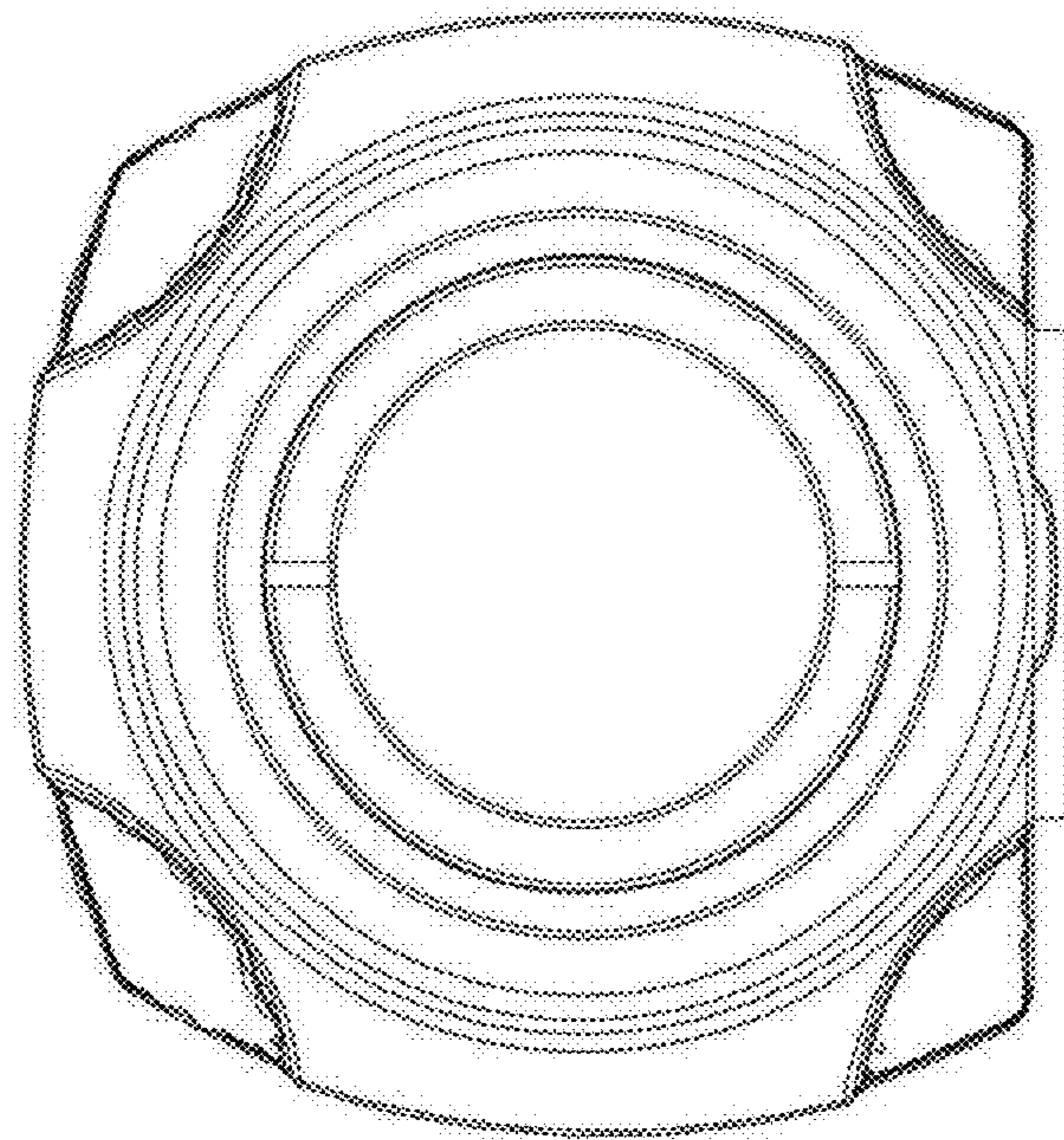


FIG. 3

FIG. 4

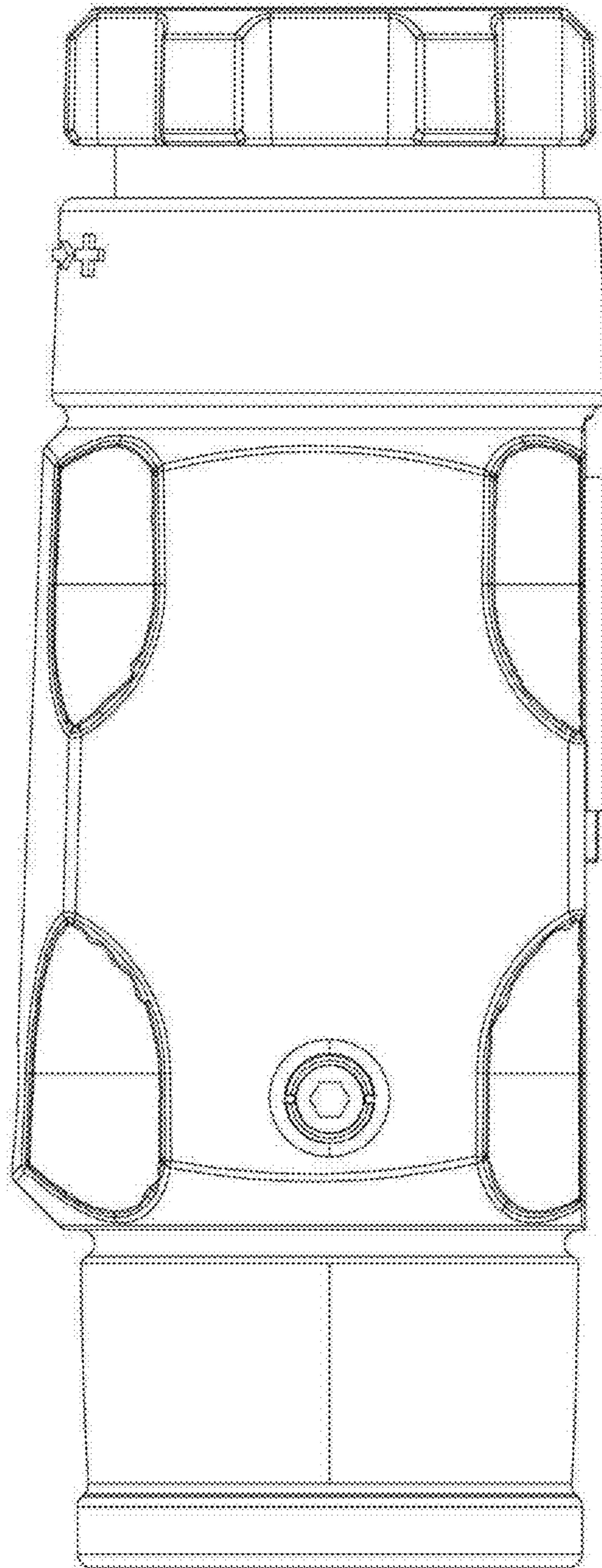


FIG. 5

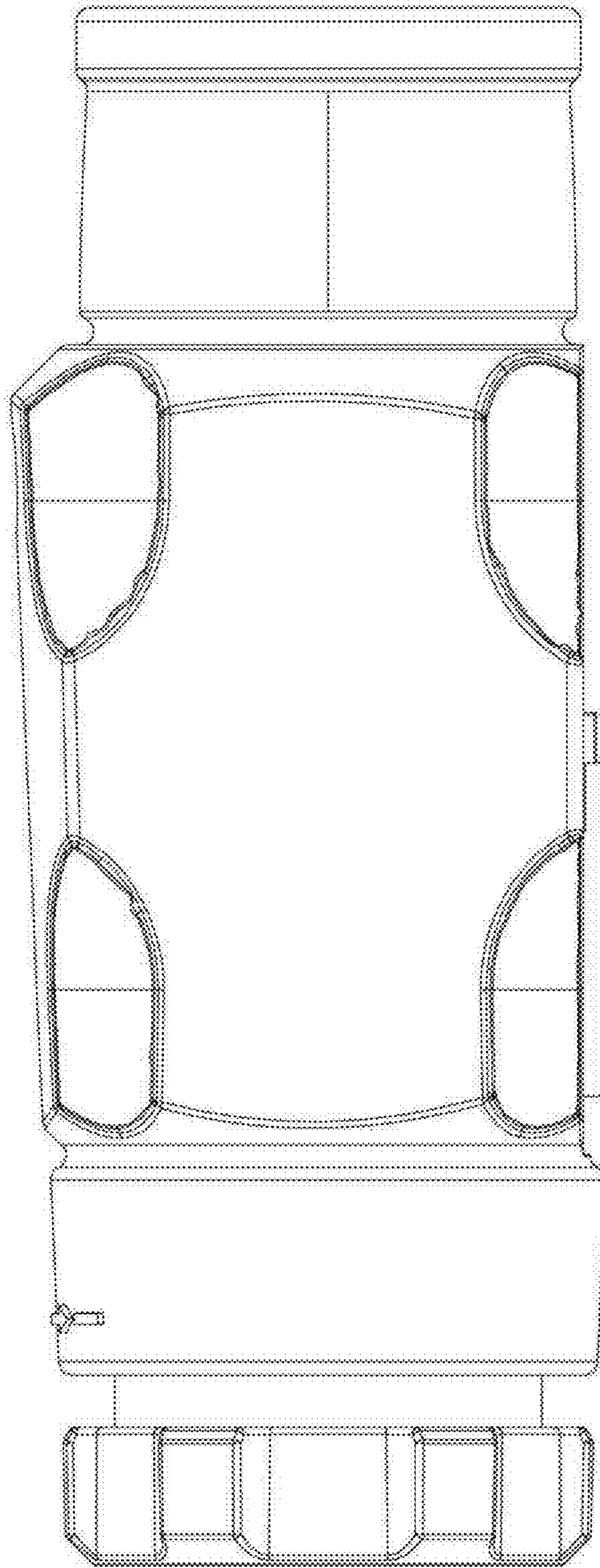


FIG. 6

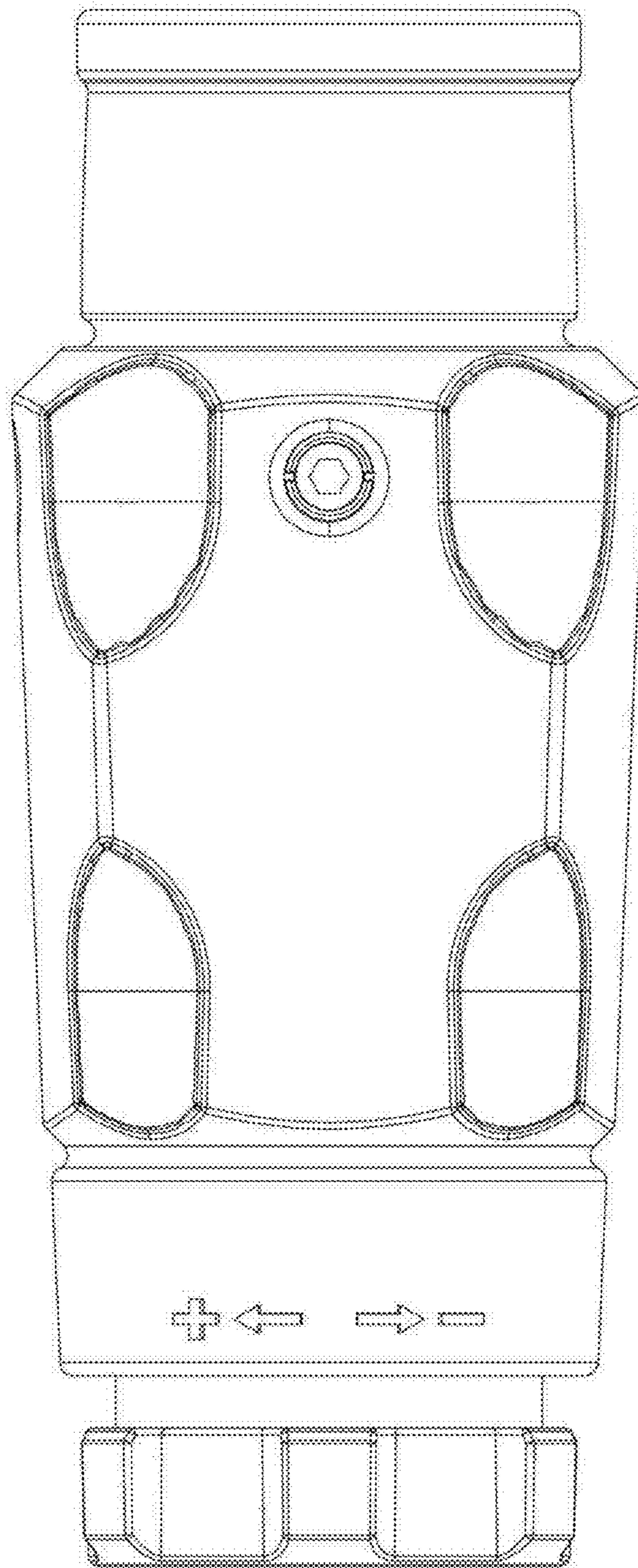
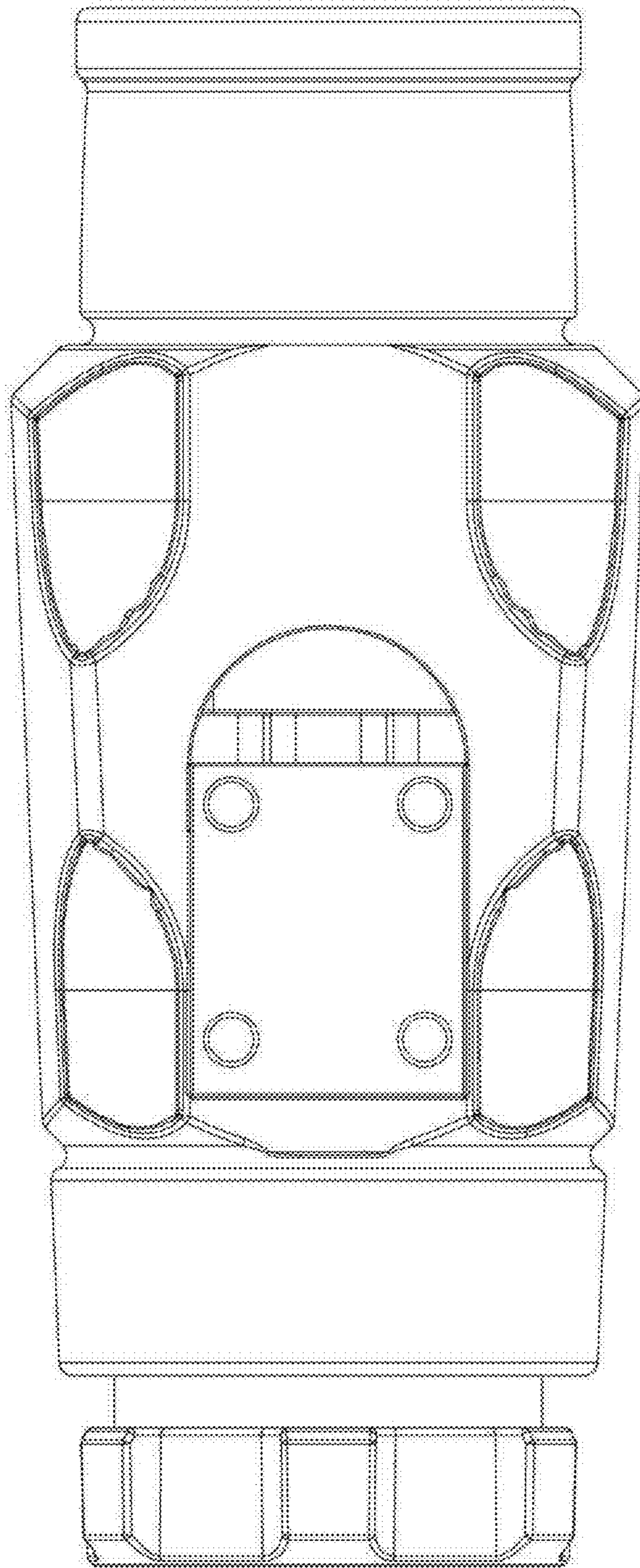


FIG. 7



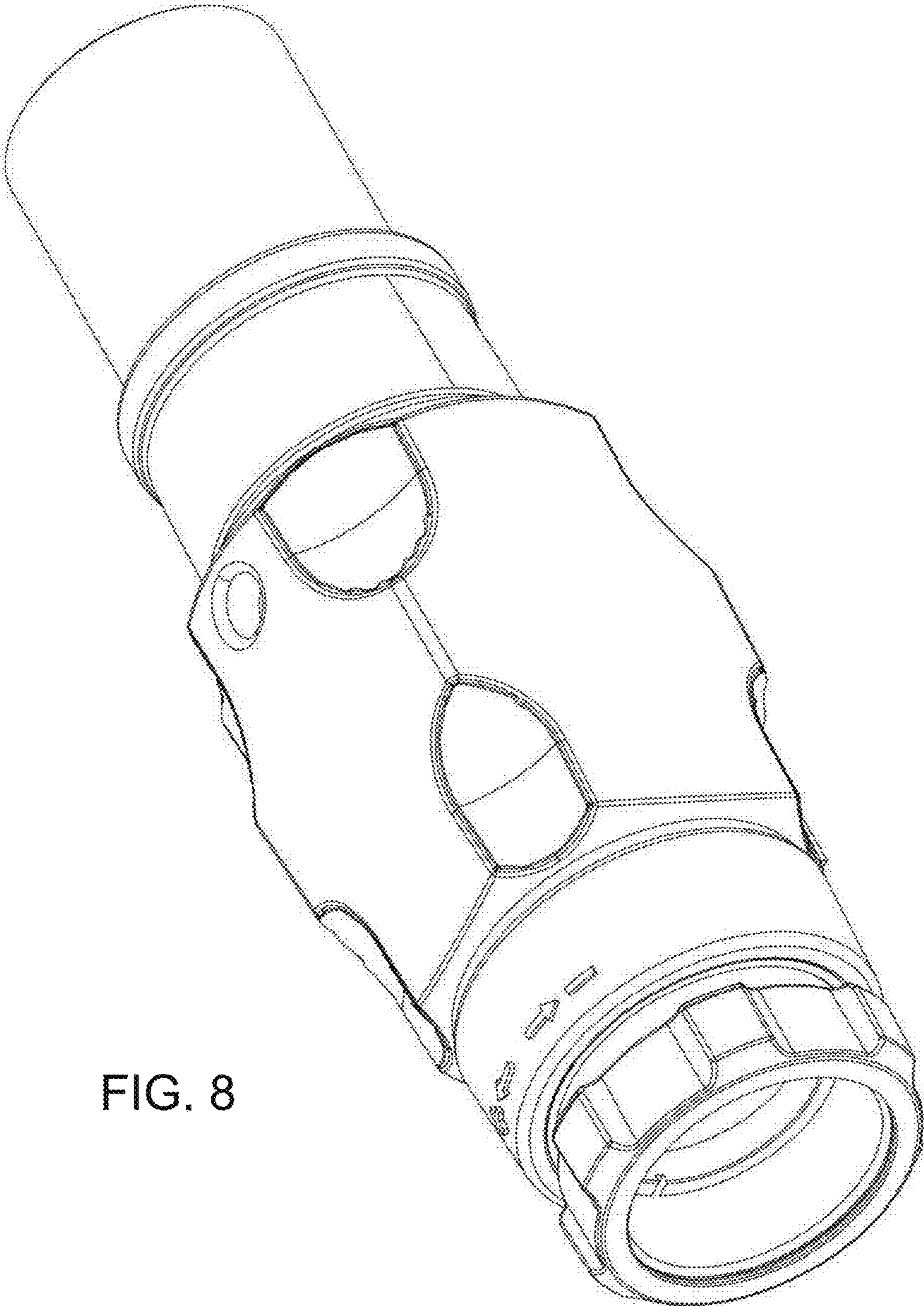


FIG. 8

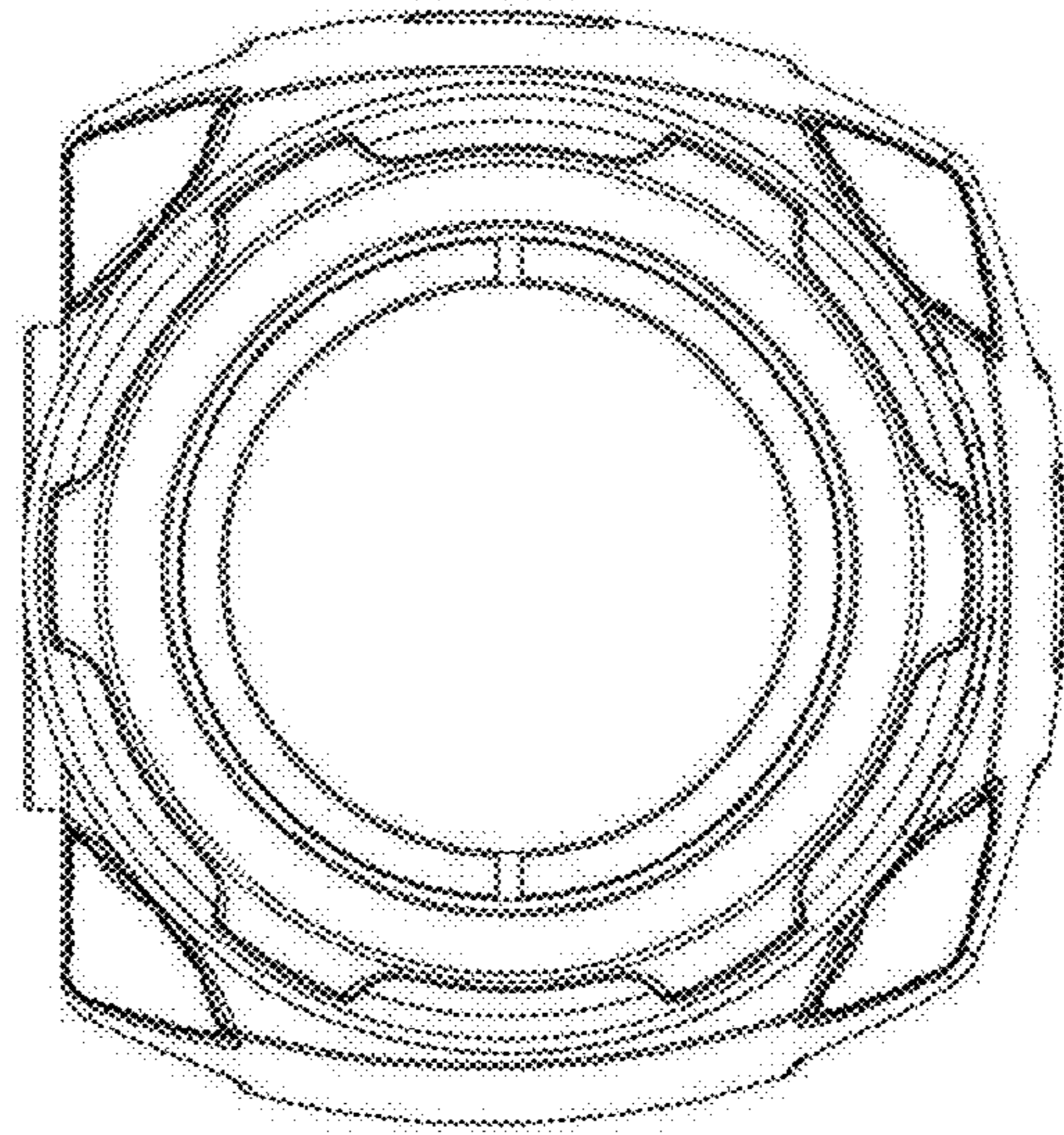


FIG. 9

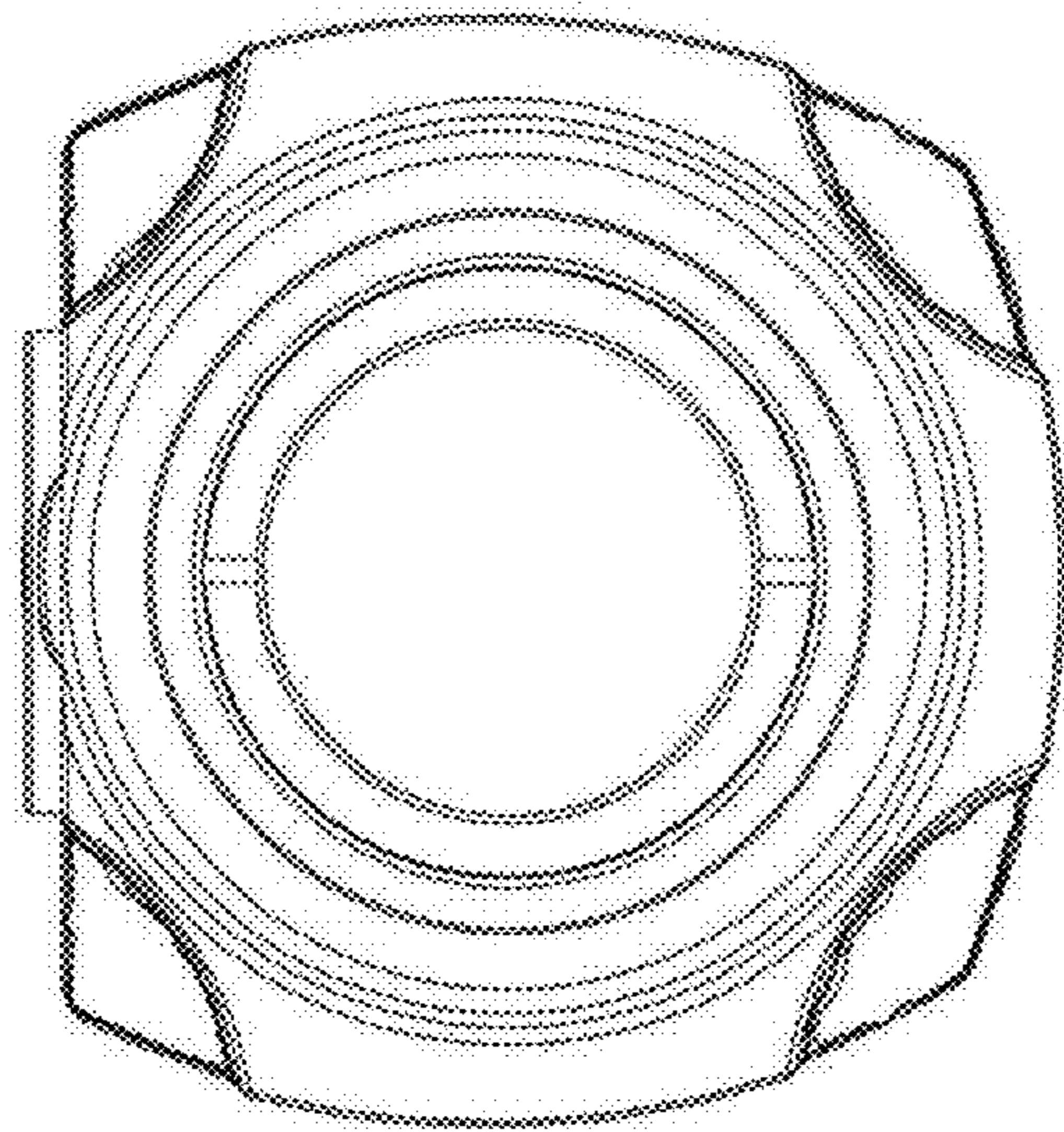
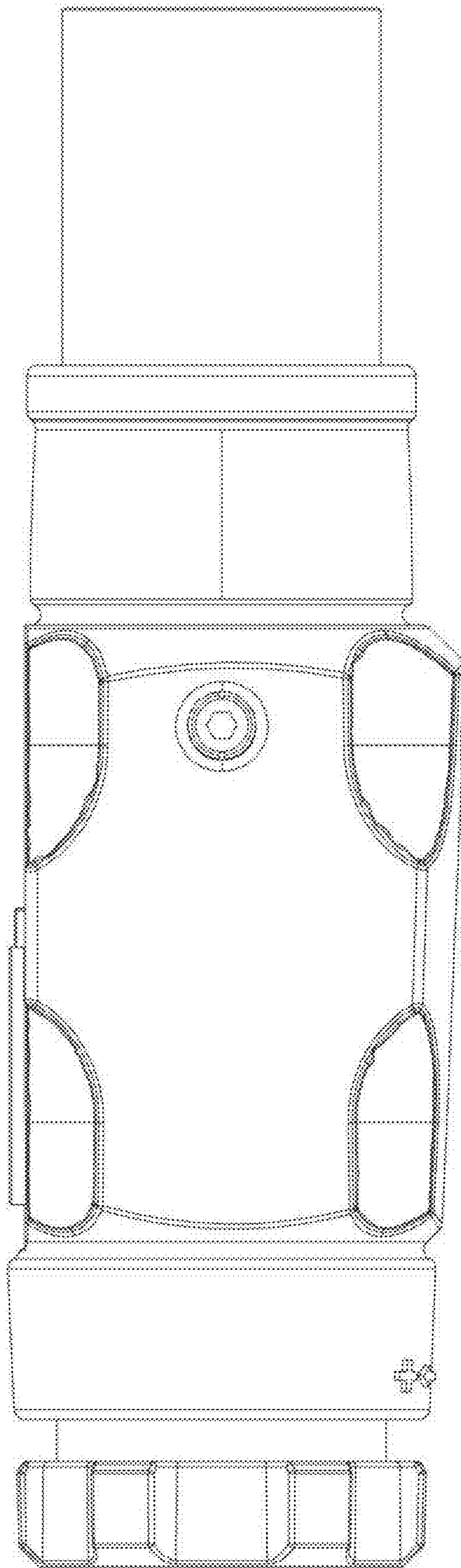


FIG. 10

FIG. 11



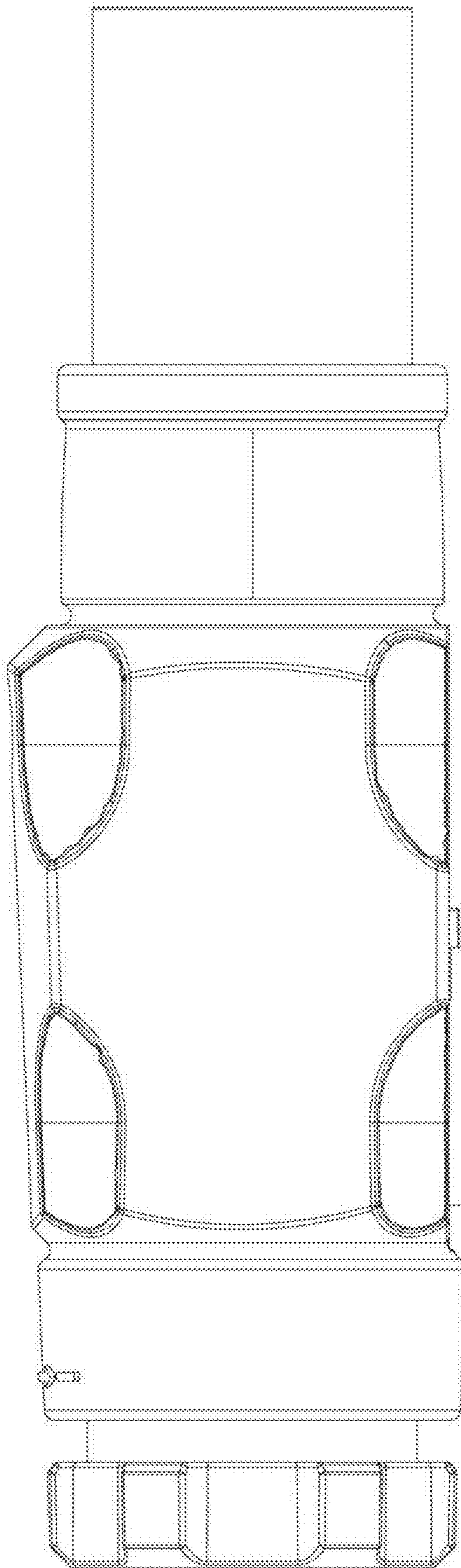


FIG. 12

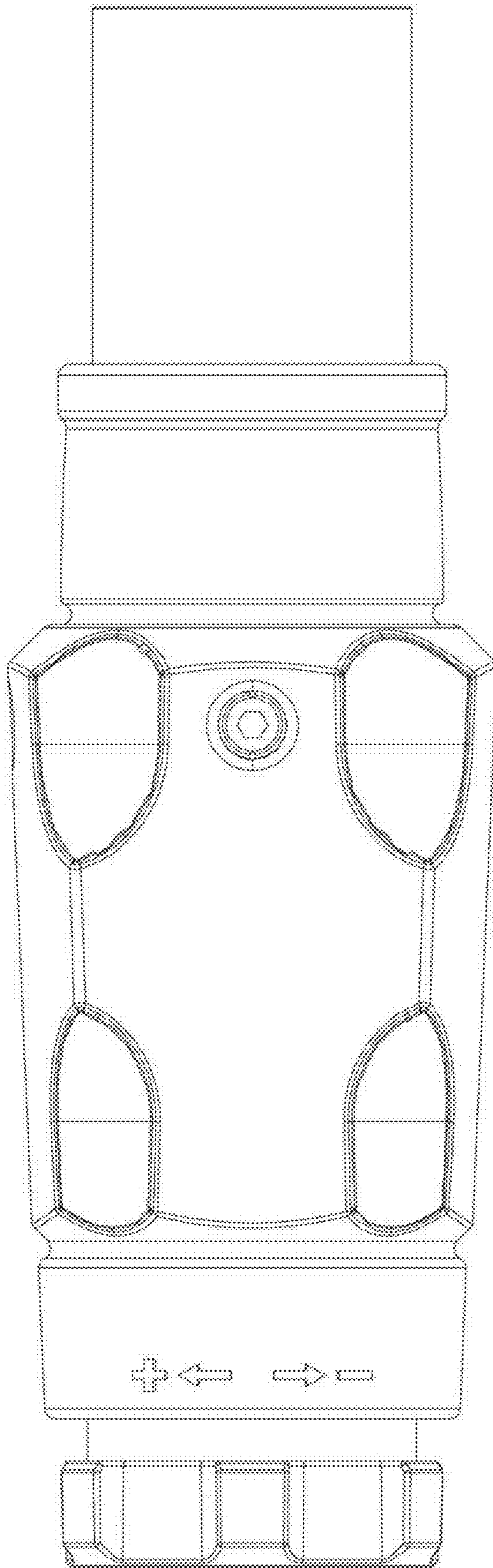


FIG. 13

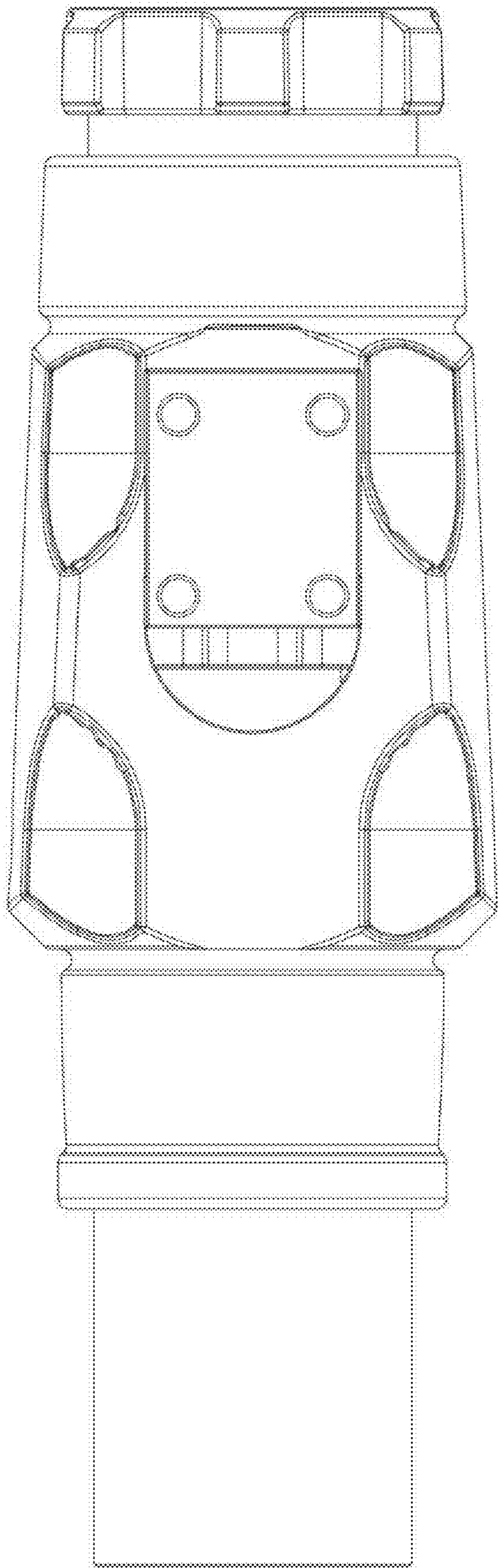


FIG. 14