

US00D862556S

(12) **United States Design Patent** (10) **Patent No.:** **US D862,556 S**
Apothéloz (45) **Date of Patent:** **** Oct. 8, 2019**

- (54) **MICROSCOPE**
- (71) Applicant: **Leica Microsystems CMS GmbH, Wetzlar (DE)**
- (72) Inventor: **Christophe Apothéloz, Zurich (CH)**
- (73) Assignee: **Leica Microsystems CMS GmbH, Wetzlar (DE)**
- (**) Term: **15 Years**
- (21) Appl. No.: **29/654,968**
- (22) Filed: **Jun. 28, 2018**

- D276,351 S 11/1984 Janke et al.
 4,573,772 A 3/1986 Endo et al.
 4,621,531 A 11/1986 Nakamura et al.
 4,729,646 A 3/1988 Clark et al.
 4,749,270 A 6/1988 Endo et al.
 4,920,053 A 4/1990 Inoue et al.
 D308,879 S 6/1990 Hoogesteger
 5,138,486 A 8/1992 Meyer et al.
 5,235,459 A 8/1993 Meyer et al.
 D345,747 S 4/1994 Hölbl
 D345,749 S 4/1994 Hofmann-Igl
 D354,299 S 1/1995 Hofmann-Igl
 D356,804 S 3/1995 Hofmann-Igl
 6,137,628 A 10/2000 Kraft et al.
 6,160,662 A 12/2000 Uchida et al.
 6,208,462 B1 3/2001 Yonetani
 6,239,905 B1 5/2001 Toyoda et al.
 6,268,959 B1 7/2001 Kawahito
 D460,772 S 7/2002 Apothéloz
 D465,799 S 11/2002 Asaka et al.

Related U.S. Application Data

- (62) Division of application No. 29/517,871, filed on Feb. 18, 2015, now Pat. No. Des. 824,445.

Foreign Application Priority Data

- Aug. 19, 2014 (EM) 002521880
 Feb. 11, 2015 (EM) 002630954

- (51) **LOC (12) Cl.** **16-06**
 (52) **U.S. Cl.**
 USPC **D16/131**

- (58) **Field of Classification Search**
 USPC D16/130-136; D22/100, 108, 109, 110, D22/199
 CPC F41G 3/08; G02B 21/004; G02B 21/008
 See application file for complete search history.

References Cited

U.S. PATENT DOCUMENTS

- D203,705 S 2/1966 Armbruster
 4,210,384 A 7/1980 Meyer et al.
 D257,357 S 10/1980 Armbruster
 D260,402 S 8/1981 Hodgson
 4,299,440 A 11/1981 Hodgson

(Continued)

Primary Examiner — Mark A Goodwin

Assistant Examiner — Benjamin M Weeks

(74) *Attorney, Agent, or Firm* — Crowell & Moring LLP

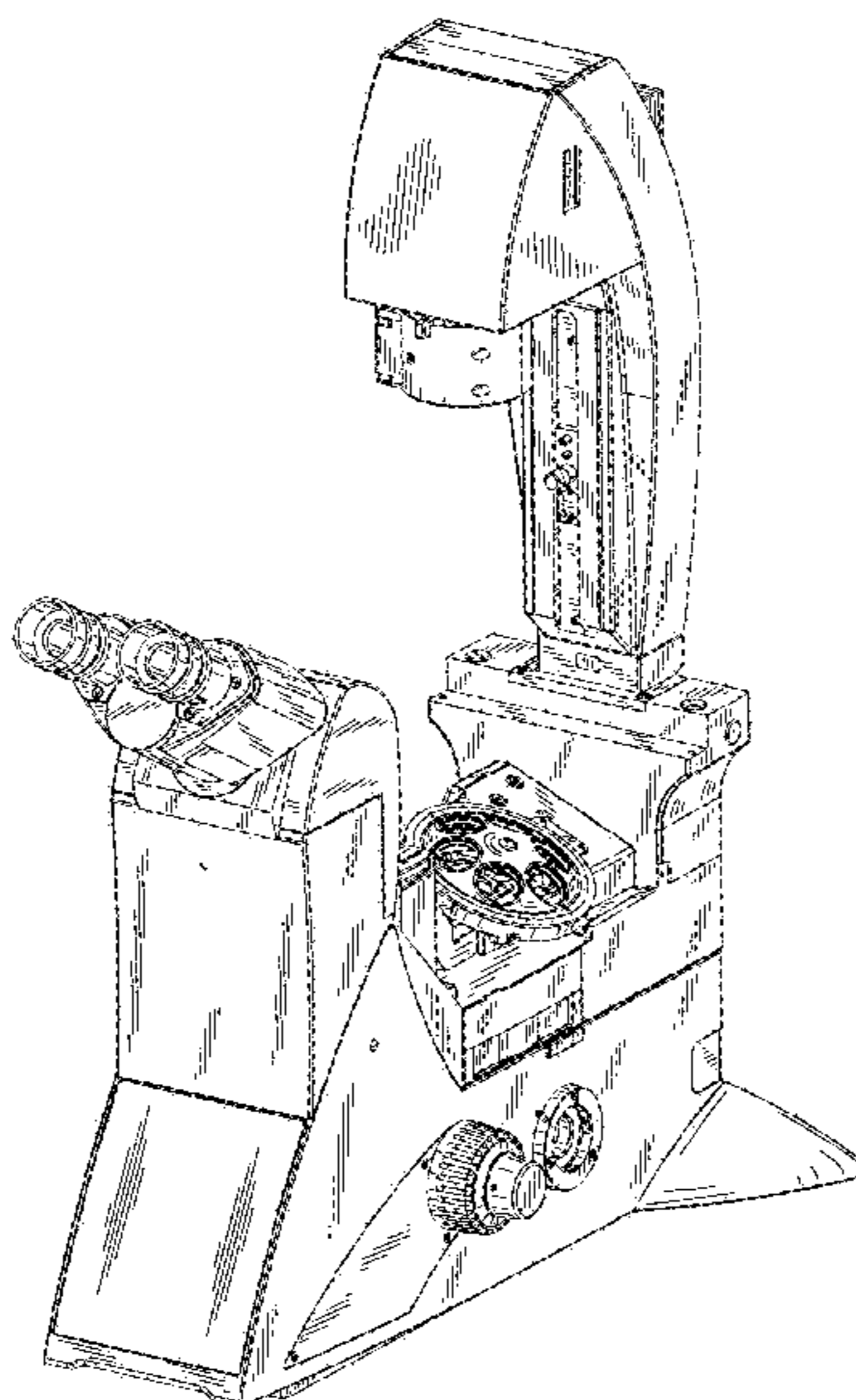
(57) **CLAIM**

The ornamental design for a microscope, as shown and described.

DESCRIPTION

FIG. 1 is a top, right perspective view of a microscope according to the design;
 FIG. 2 is a front view thereof;
 FIG. 3 is a rear view thereof;
 FIG. 4 is a left side view thereof;
 FIG. 5 is a right side view thereof;
 FIG. 6 is a top view thereof; and,
 FIG. 7 is a bottom view thereof.
 The broken lines depict parts of the microscope that form no part of the claimed design.

1 Claim, 7 Drawing Sheets



(56)

References Cited

U.S. PATENT DOCUMENTS

6,785,045 B2	8/2004	Utsugi	2002/0041438 A1	4/2002	Takahama et al.	
D507,006 S	7/2005	Apothéloz et al.	2002/0131165 A1	9/2002	Takahama	
D518,841 S	4/2006	Apothéloz et al.	2002/0171925 A1	11/2002	Tonooka et al.	
7,151,634 B2	12/2006	Hoyer	2003/0090789 A1	5/2003	Herz et al.	
7,233,436 B2	6/2007	Woditschka	2003/0165010 A1	9/2003	Sukekawa et al.	
D577,047 S	9/2008	Apothéloz	2004/0004758 A1	1/2004	Dietzsch et al.	
7,505,199 B2	3/2009	Ito	2004/0027683 A1	2/2004	Dietzsch et al.	
D639,324 S	6/2011	Stohr et al.	2005/0099679 A1	5/2005	Kleinteich et al.	
8,228,600 B2	7/2012	Euteneuer et al.	2006/0012858 A1	1/2006	Bender	
D690,342 S	9/2013	Funakoshi et al.	2007/0201129 A1	8/2007	Jagemann et al.	
8,537,462 B2	9/2013	Seifert et al.	2009/0195867 A1	8/2009	Euteneuer et al.	
8,559,119 B2	10/2013	Seifert	2013/0003171 A1	1/2013	Dietzsch et al.	
8,867,127 B2	10/2014	Seifert	2013/0077158 A1	3/2013	Matsumoto et al.	
D734,796 S	7/2015	Hofmann et al.	2013/0335820 A1	12/2013	Matsumoto et al.	
D734,797 S	7/2015	Hofmann et al.	2014/0118820 A1	5/2014	Kaneki et al.	
D734,798 S	7/2015	Hofmann et al.	2015/0331227 A1	11/2015	Qian et al.	
D737,354 S	8/2015	Hofmann et al.	2016/0187635 A1	6/2016	Arashi et al.	
D748,268 S	1/2016	Billard et al.				
D771,169 S *	11/2016	Weber				D16/131 * cited by examiner

D784,433 S *	4/2017	Weber	D16/131
D799,576 S *	10/2017	Apotheloz	D16/131
D812,665 S *	3/2018	Klein	D16/131
D824,445 S *	7/2018	Apotheloz	D16/131

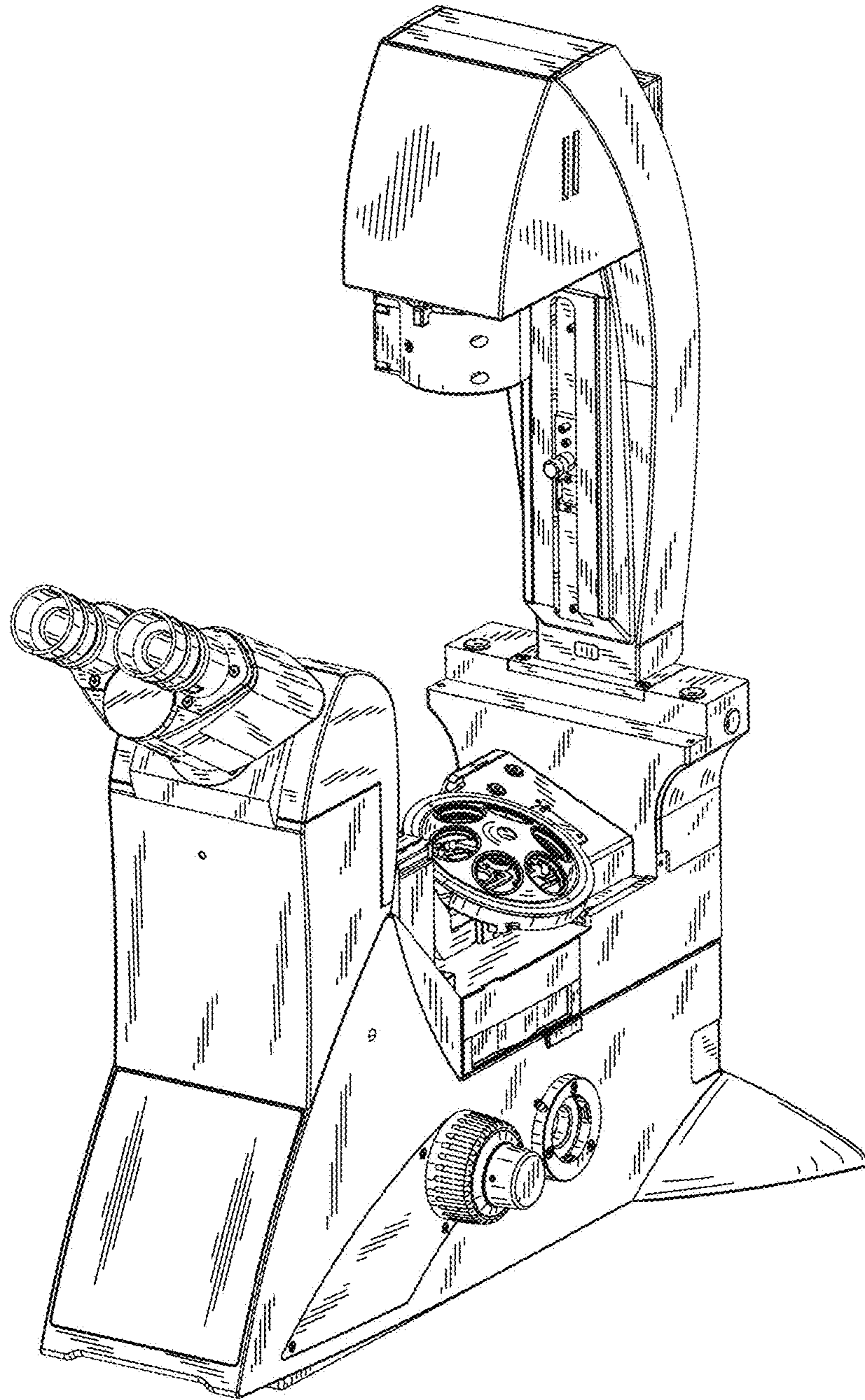


FIG. 1

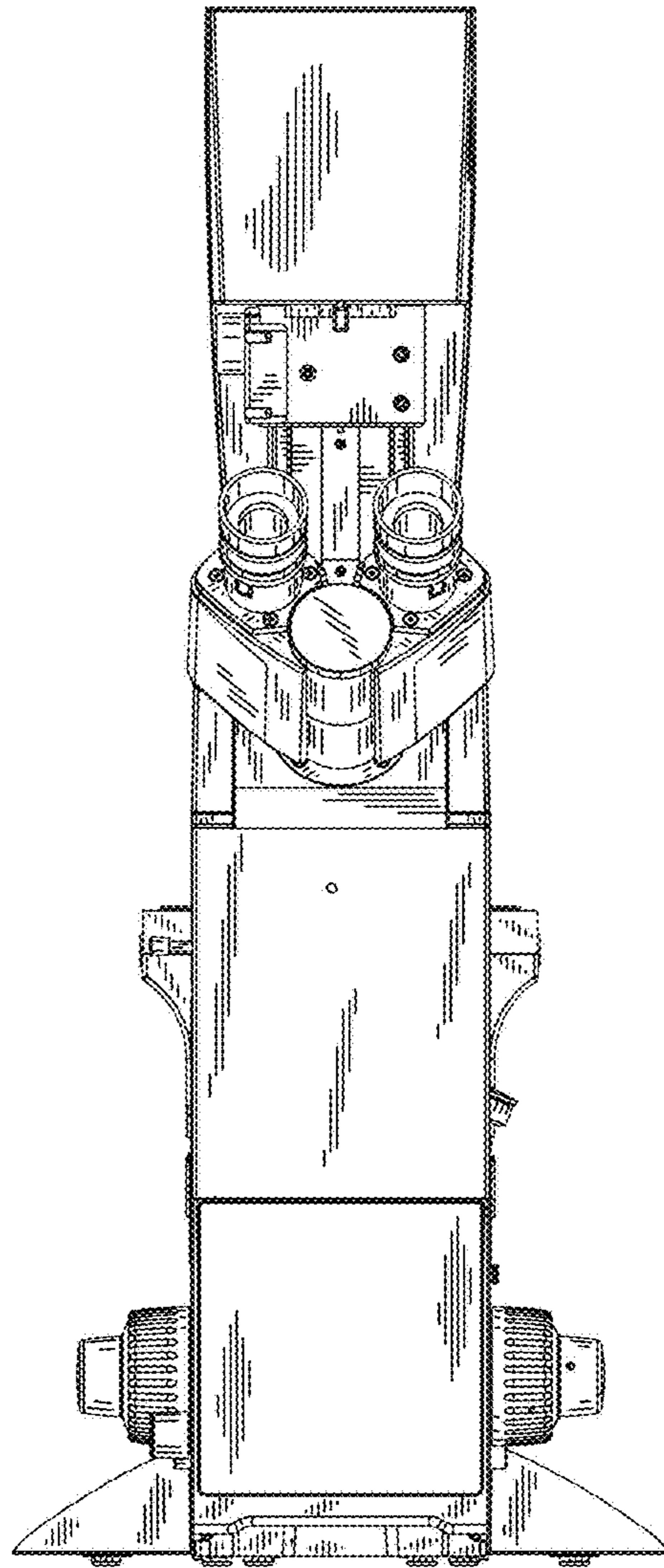


FIG. 2

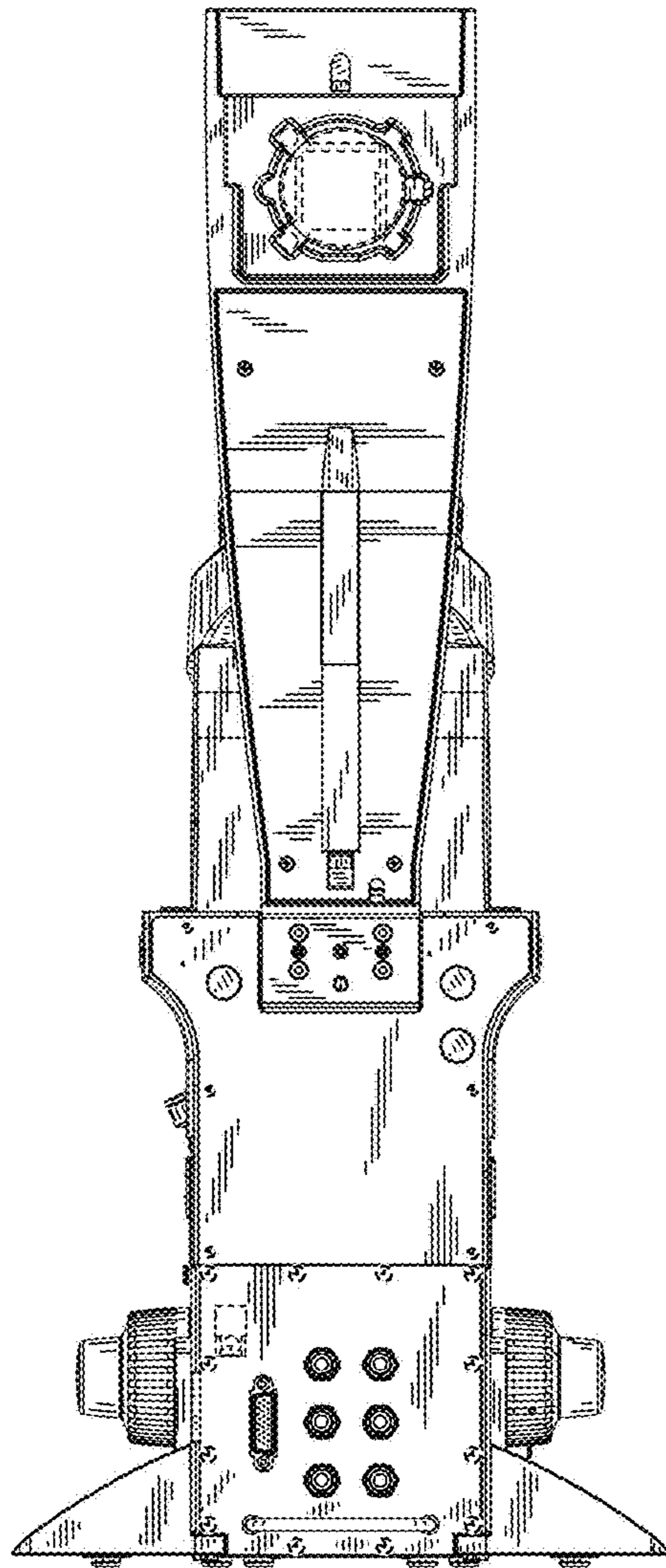


FIG. 3

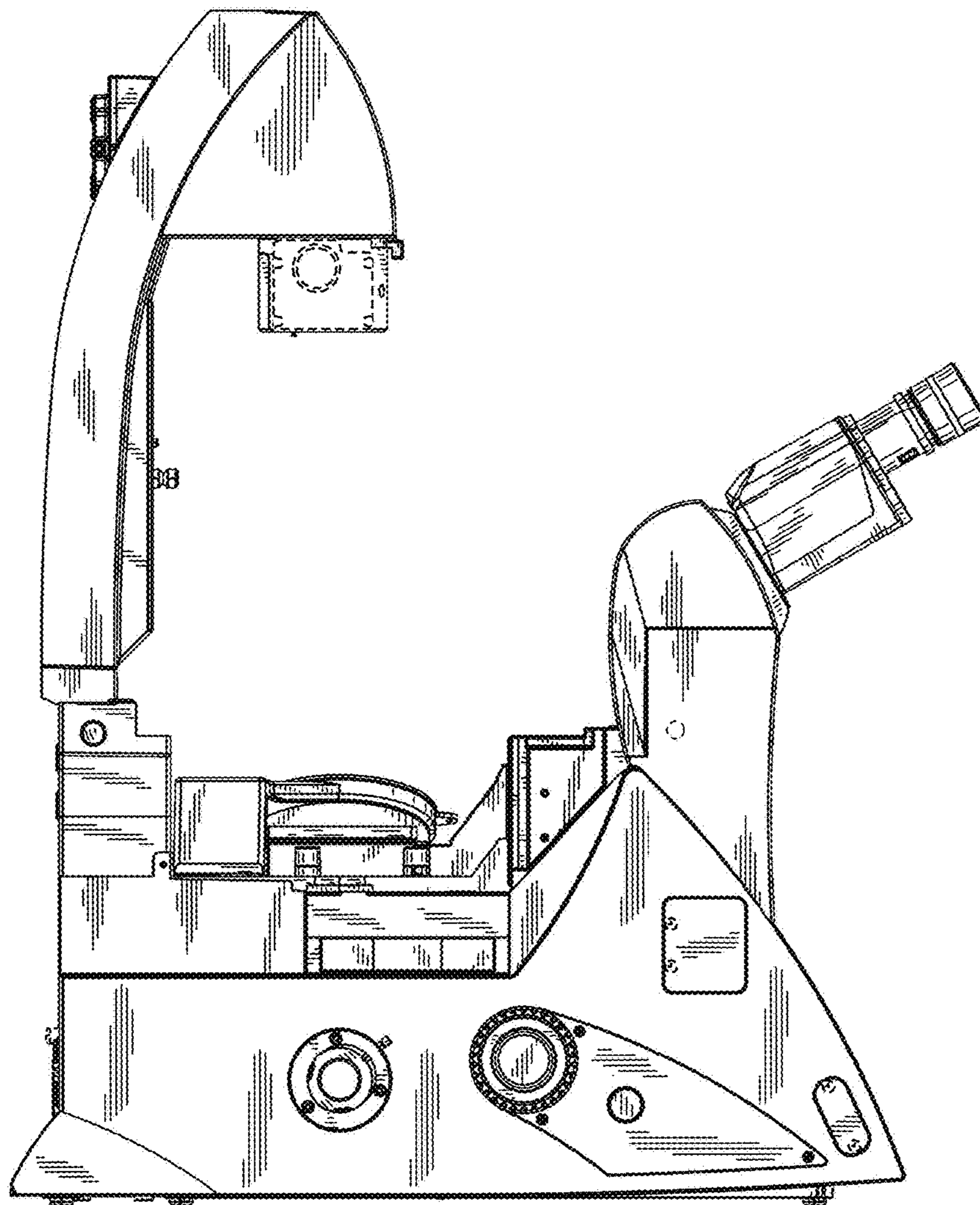


FIG. 4

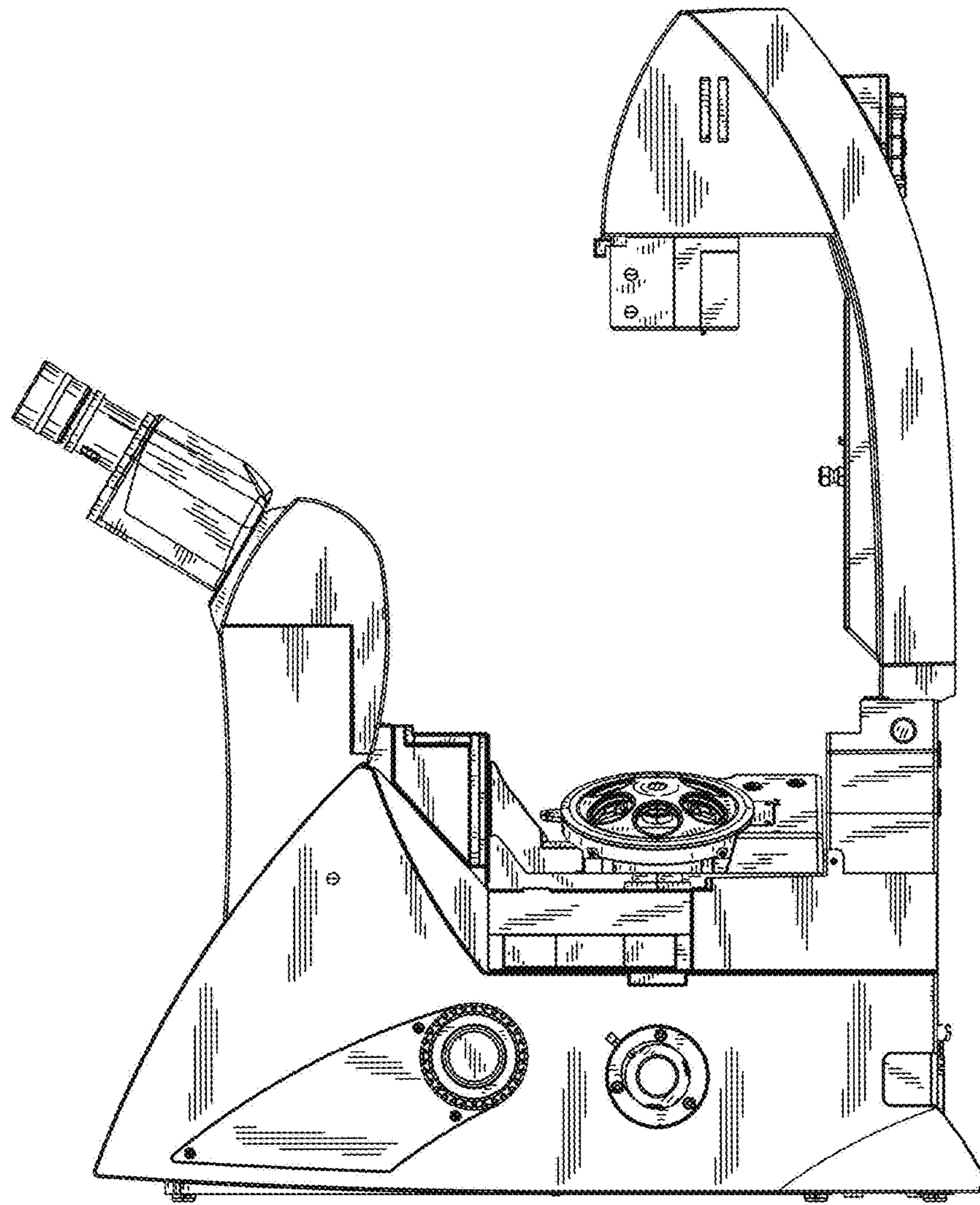


FIG. 5

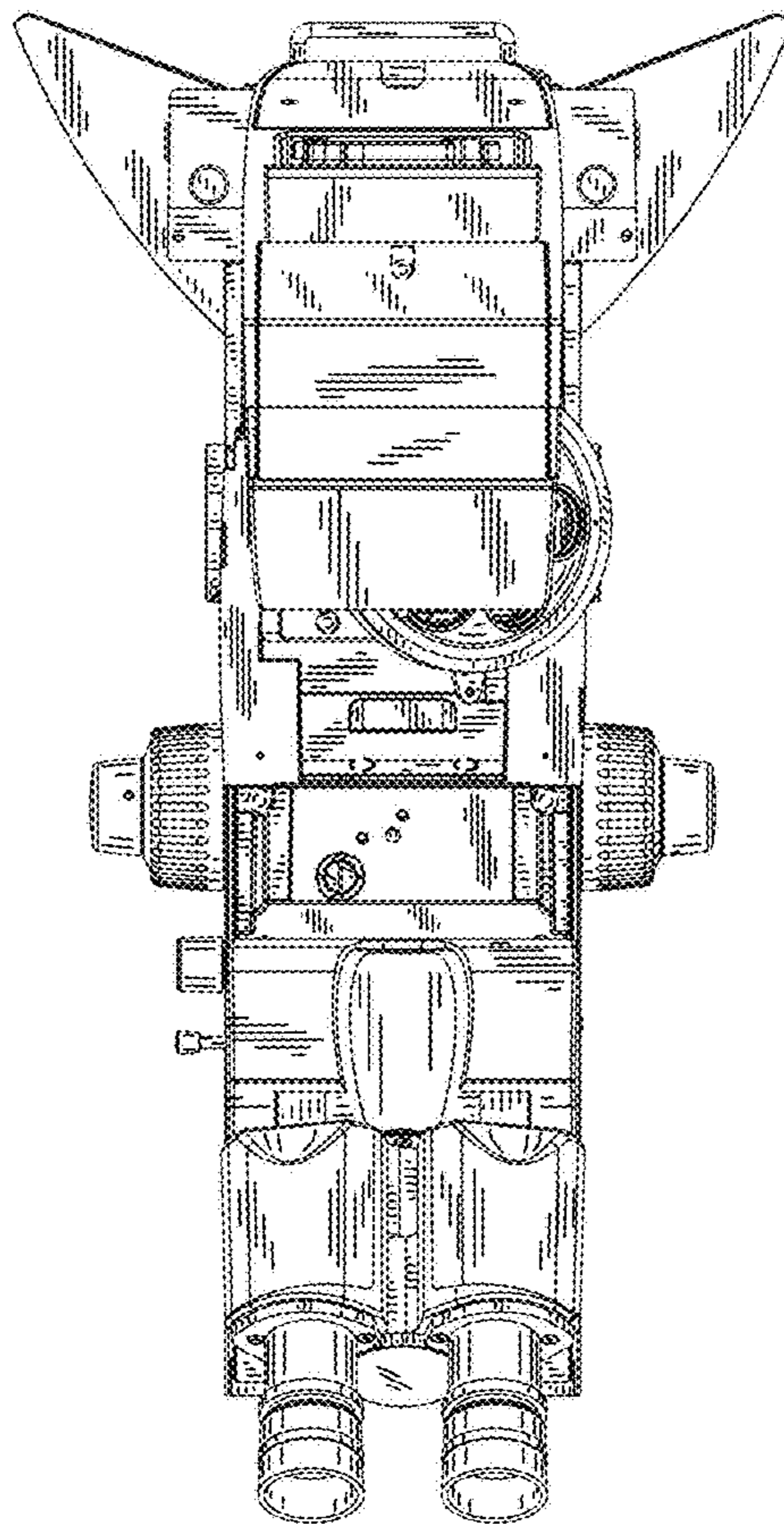


FIG. 6

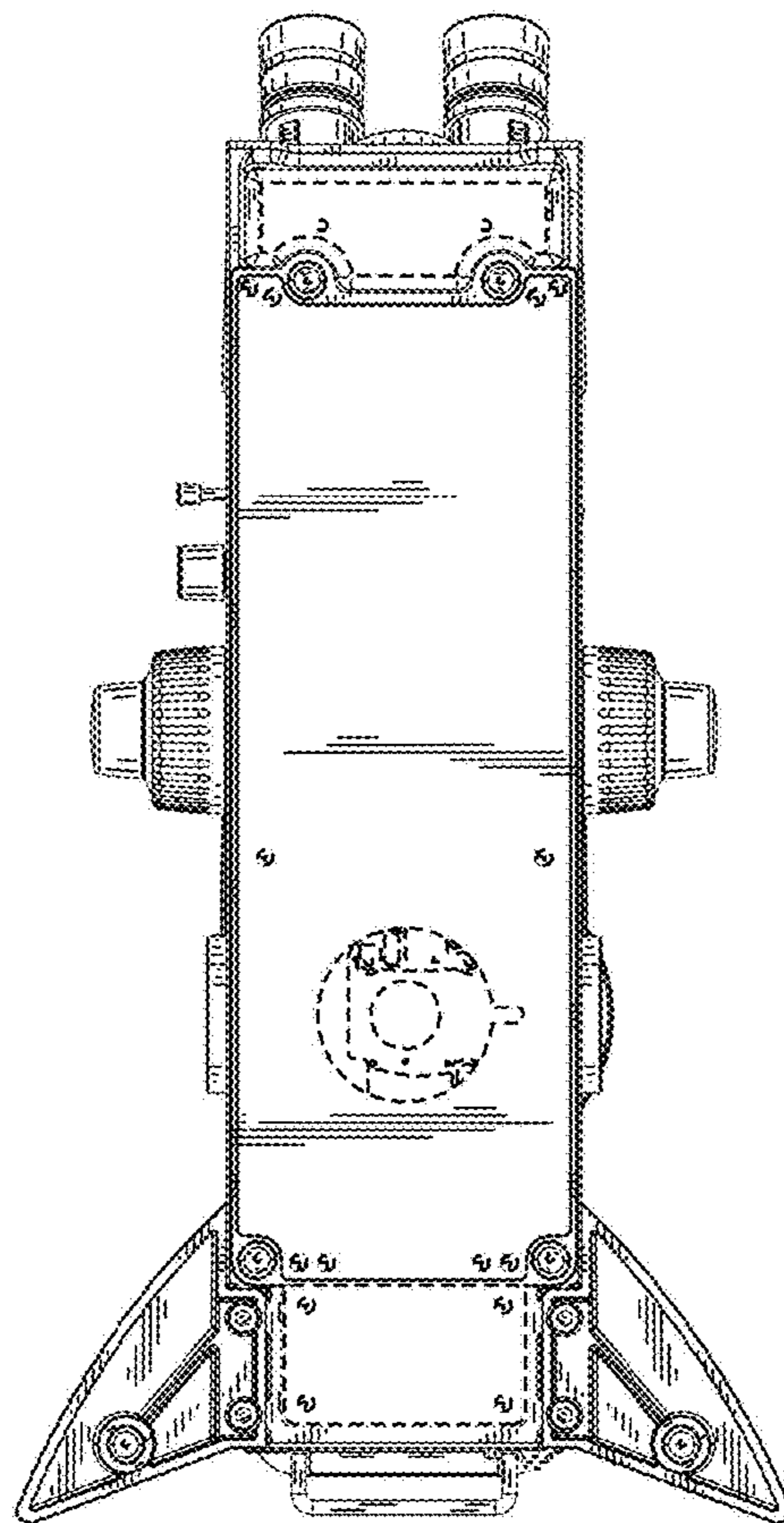


FIG. 7