



US00D862553S

(12) **United States Design Patent** (10) **Patent No.:** **US D862,553 S**  
**Apothéloz** (45) **Date of Patent:** **\*\* Oct. 8, 2019**

- (54) **MICROSCOPE**
- (71) Applicant: **Leica Microsystems CMS GmbH,**  
Wetzlar (DE)
- (72) Inventor: **Christophe Apothéloz,** Zurich (CH)
- (73) Assignee: **Leica Microsystems CMS GmbH,**  
Wetzlar (DE)
- (\*\*) Term: **15 Years**
- (21) Appl. No.: **29/654,960**
- (22) Filed: **Jun. 28, 2018**

- |              |         |                 |
|--------------|---------|-----------------|
| D276,351 S   | 11/1984 | Janke et al.    |
| 4,573,772 A  | 3/1986  | Endo et al.     |
| 4,621,531 A  | 11/1986 | Nakamura et al. |
| 4,729,646 A  | 3/1988  | Clark et al.    |
| 4,749,270 A  | 6/1988  | Endo et al.     |
| 4,920,053 A  | 4/1990  | Inoue et al.    |
| D308,879 S   | 6/1990  | Hoogesteger     |
| 5,138,486 A  | 8/1992  | Meyer et al.    |
| 5,235,459 A  | 8/1993  | Meyer et al.    |
| D345,747 S   | 4/1994  | Hölbl           |
| D345,749 S   | 4/1994  | Hofmann-Igl     |
| D354,299 S   | 1/1995  | Hofmann-Igl     |
| D356,804 S   | 3/1995  | Hofmann-Igl     |
| 6,137,628 A  | 10/2000 | Kraft et al.    |
| 6,160,662 A  | 12/2000 | Uchida et al.   |
| 6,208,462 B1 | 3/2001  | Yonetani        |
| 6,239,905 B1 | 5/2001  | Toyoda et al.   |
| 6,268,959 B1 | 7/2001  | Kawahito        |
| D460,772 S   | 7/2002  | Apothéloz       |
| D465,799 S   | 11/2002 | Asaka et al.    |

**Related U.S. Application Data**

- (62) Division of application No. 29/517,871, filed on Feb. 18, 2015, now Pat. No. Des. 824,445.

**Foreign Application Priority Data**

- Aug. 19, 2014 (EM) ..... 002521880  
Feb. 11, 2015 (EM) ..... 002630954

- (51) **LOC (12) Cl.** ..... **16-06**  
(52) **U.S. Cl.**

USPC ..... **D16/131**

**Field of Classification Search**

USPC ..... D16/130-136; D22/100, 108, 109, 110, D22/199

CPC ..... F41G 3/08; G02B 21/004; G02B 21/008  
See application file for complete search history.

**References Cited**

**U.S. PATENT DOCUMENTS**

- |             |         |              |
|-------------|---------|--------------|
| D203,705 S  | 2/1966  | Armbruster   |
| 4,210,384 A | 7/1980  | Meyer et al. |
| D257,357 S  | 10/1980 | Armbruster   |
| D260,402 S  | 8/1981  | Hodgson      |
| 4,299,440 A | 11/1981 | Hodgson      |

(Continued)

*Primary Examiner* — Mark A Goodwin

*Assistant Examiner* — Benjamin M Weeks

(74) *Attorney, Agent, or Firm* — Crowell & Moring LLP

(57) **CLAIM**

The ornamental design for a microscope, as shown and described.

**DESCRIPTION**

FIG. 1 is a top, right perspective view of a microscope according to the design;

FIG. 2 is a front view thereof;

FIG. 3 is a rear view thereof;

FIG. 4 is a left side view thereof;

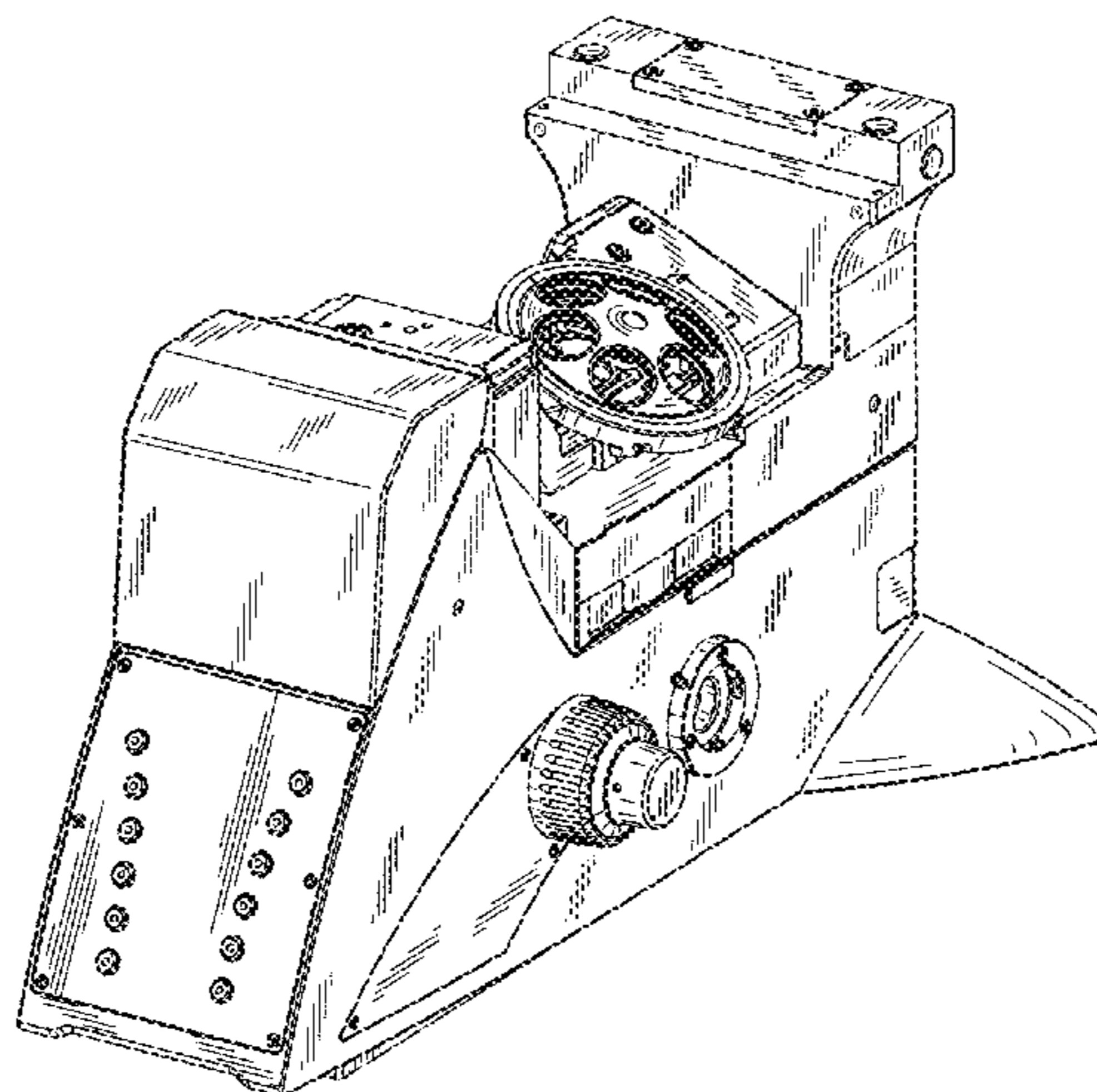
FIG. 5 is a right side view thereof;

FIG. 6 is a top view thereof; and,

FIG. 7 is a bottom view thereof.

The broken lines depict parts of the microscope that form no part of the claimed design.

**1 Claim, 7 Drawing Sheets**

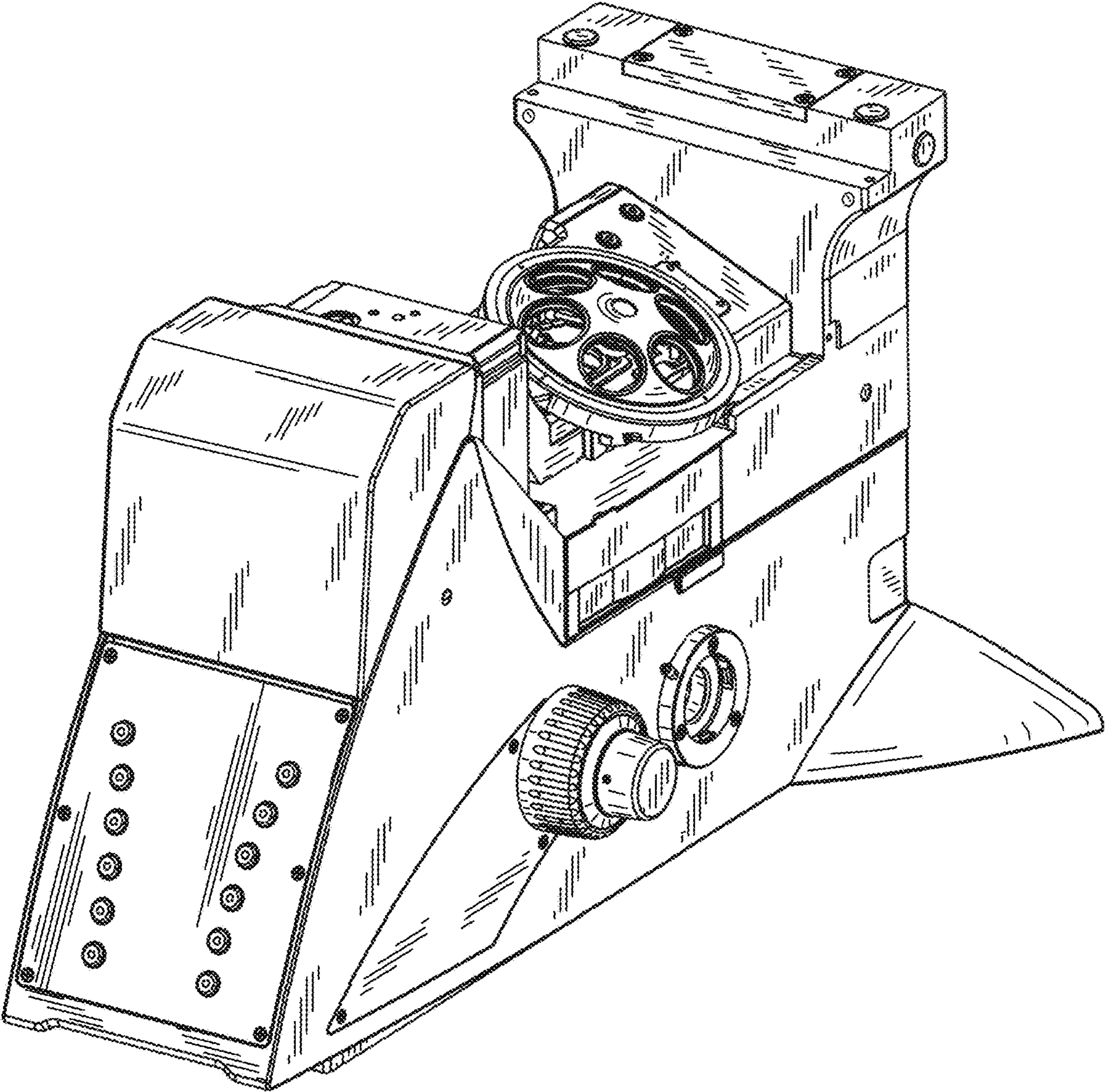


(56)

References Cited

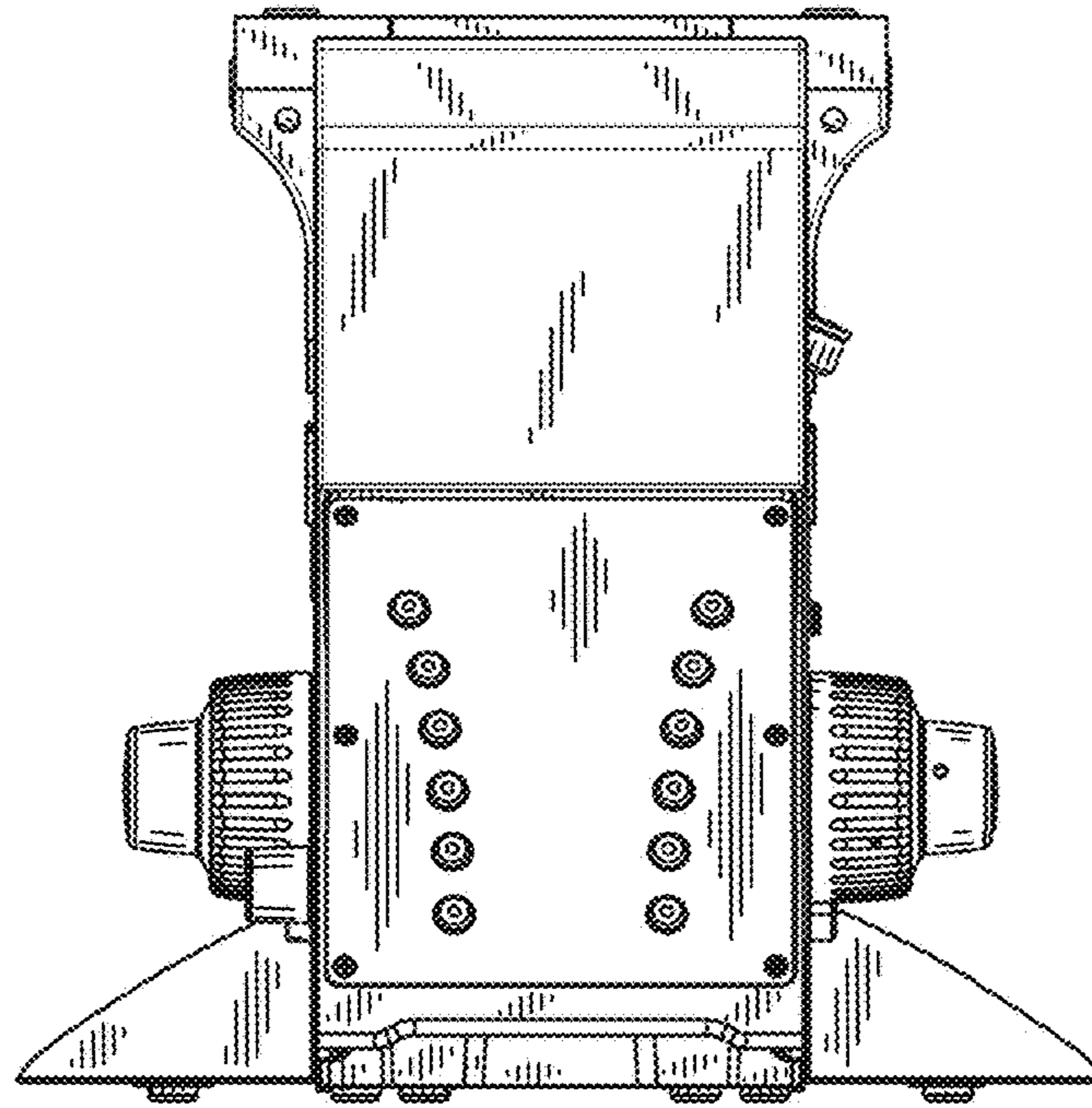
U.S. PATENT DOCUMENTS

6,785,045 B2	8/2004	Utsugi				
D507,006 S	7/2005	Apothéloz et al.				
D518,841 S	4/2006	Apothéloz et al.				
7,151,634 B2	12/2006	Hoyer				
7,233,436 B2	6/2007	Woditschka				
D577,047 S	9/2008	Apothéloz				
7,505,199 B2	3/2009	Ito				
D639,324 S	6/2011	Stohr et al.				
8,228,600 B2	7/2012	Euteneuer et al.				
D690,342 S	9/2013	Funakoshi et al.				
8,537,462 B2	9/2013	Seifert et al.				
8,559,119 B2	10/2013	Seifert				
8,867,127 B2	10/2014	Seifert				
D734,796 S	7/2015	Hofmann et al.				
D734,797 S	7/2015	Hofmann et al.				
D734,798 S	7/2015	Hofmann et al.				
D737,354 S	8/2015	Hofmann et al.				
D748,268 S	1/2016	Billard et al.				
D771,169 S	* 11/2016	Weber .....	D16/131			
						* cited by examiner
				D784,433 S	* 4/2017	Weber ..... D16/131
				D799,576 S	* 10/2017	Apotheloz ..... D16/131
				D812,665 S	* 3/2018	Klein ..... D16/131
				D824,445 S	* 7/2018	Apotheloz ..... D16/131
				2002/0041438 A1	4/2002	Takahama et al.
				2002/0131165 A1	9/2002	Takahama
				2002/0171925 A1	11/2002	Tonooka et al.
				2003/0090789 A1	5/2003	Herz et al.
				2003/0165010 A1	9/2003	Sukekawa et al.
				2004/0004758 A1	1/2004	Dietzsch et al.
				2004/0027683 A1	2/2004	Dietzsch et al.
				2005/0099679 A1	5/2005	Kleinteich et al.
				2006/0012858 A1	1/2006	Bender
				2007/0201129 A1	8/2007	Jagemann et al.
				2009/0195867 A1	8/2009	Euteneuer et al.
				2013/0003171 A1	1/2013	Dietzsch et al.
				2013/0077158 A1	3/2013	Matsumoto et al.
				2013/0335820 A1	12/2013	Matsumoto et al.
				2014/0118820 A1	5/2014	Kaneki et al.
				2015/0331227 A1	11/2015	Qian et al.
				2016/0187635 A1	6/2016	Arashi et al.

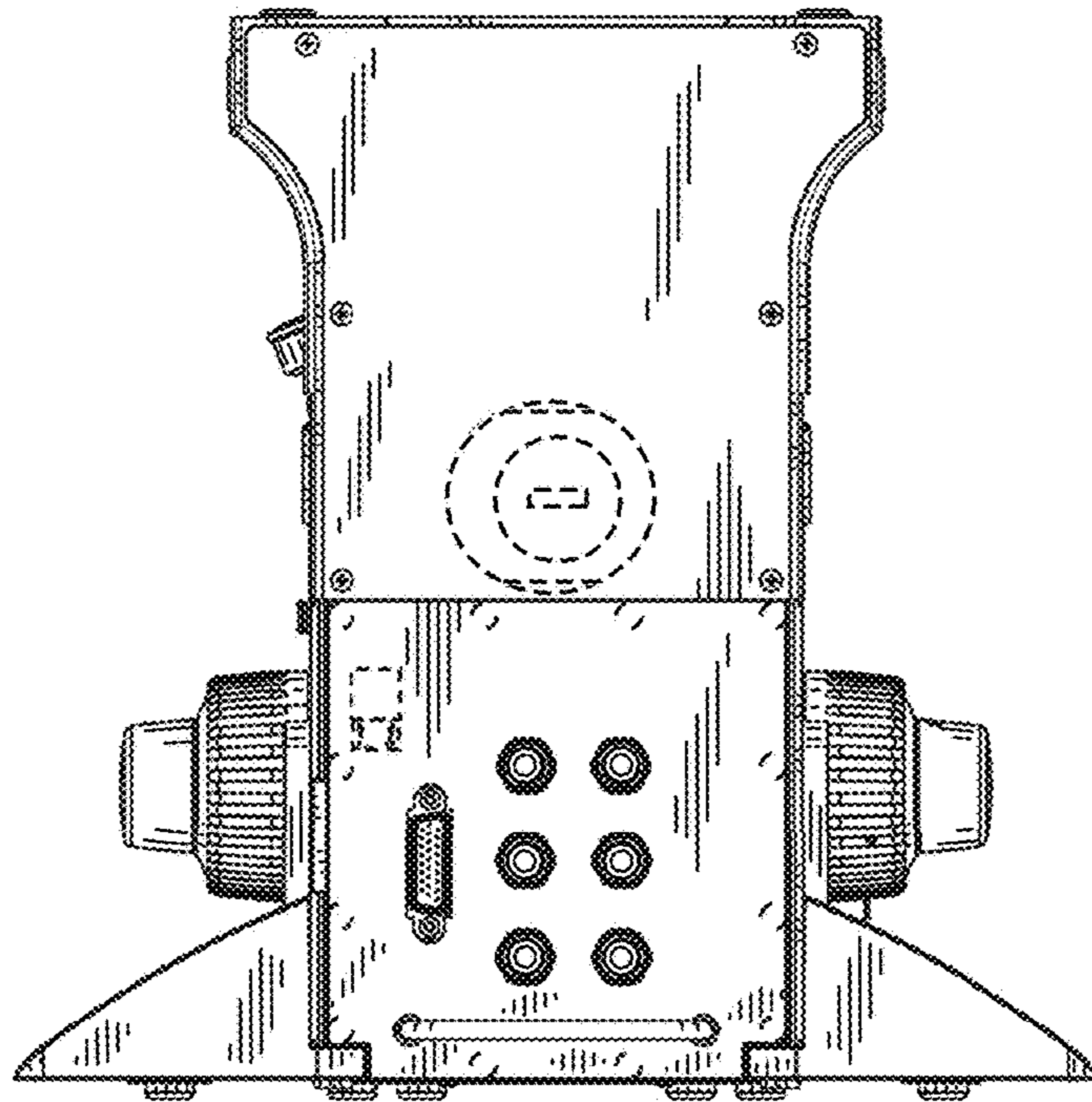


**FIG. 1**

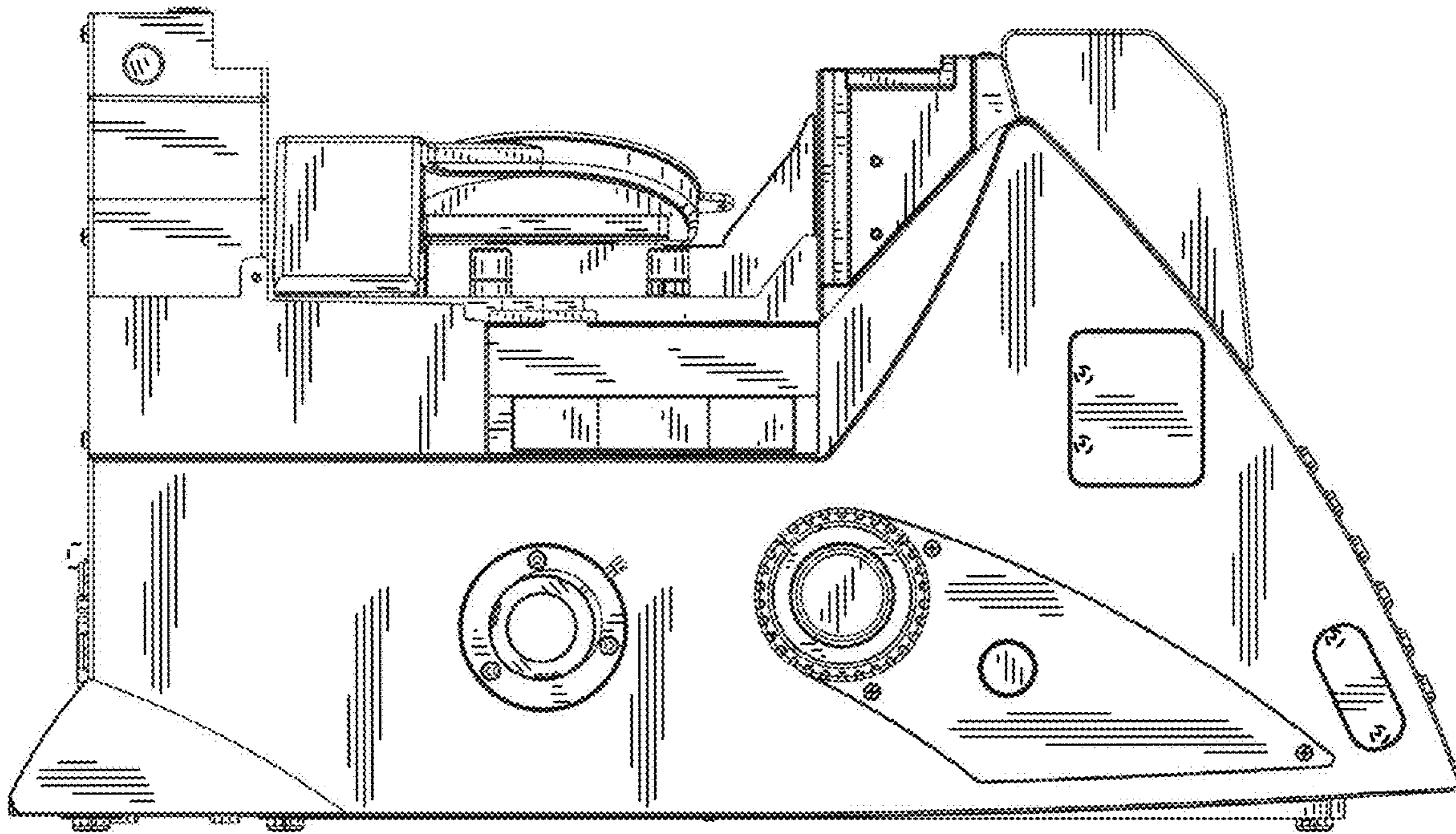




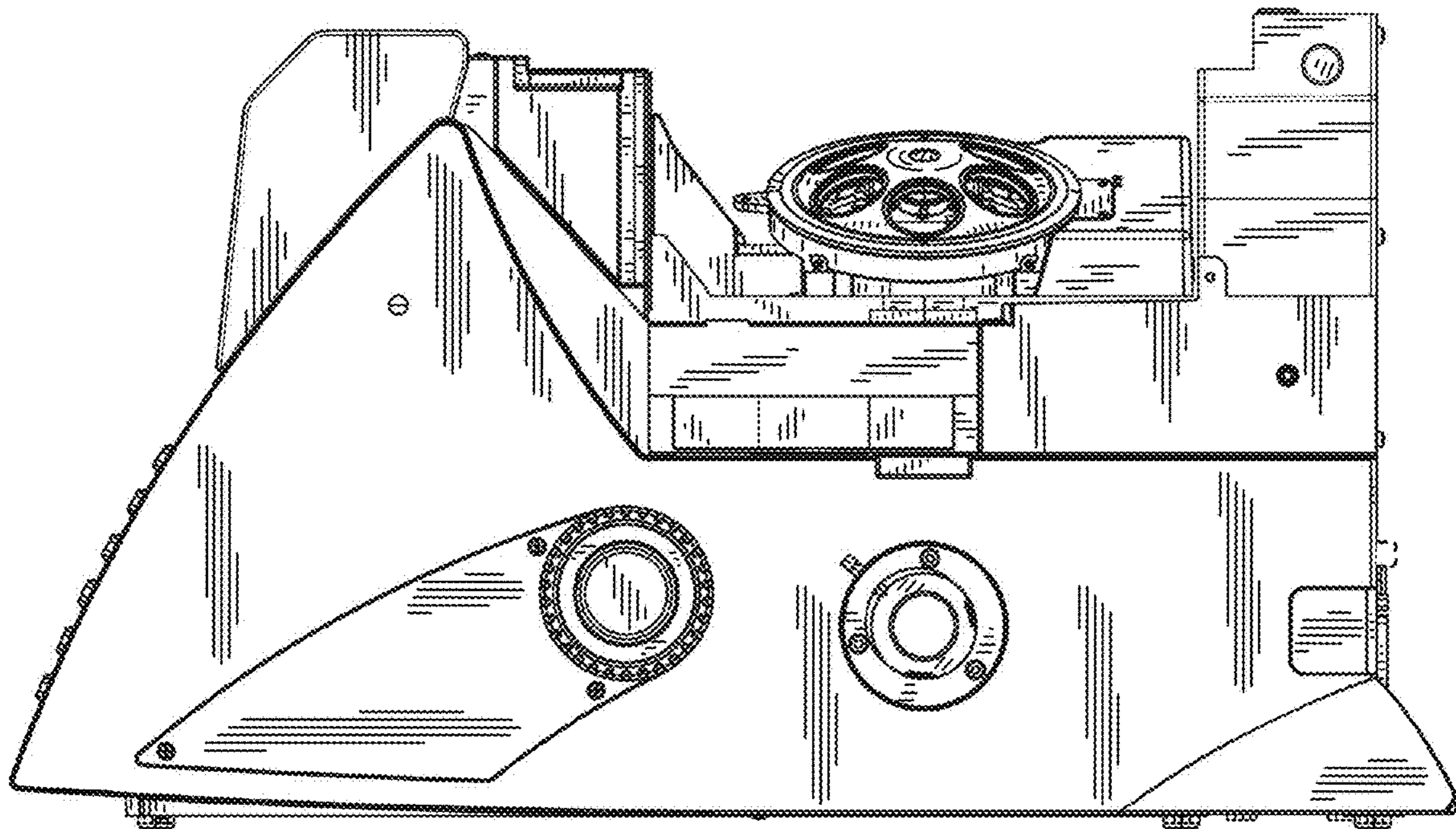
**FIG. 2**



**FIG. 3**

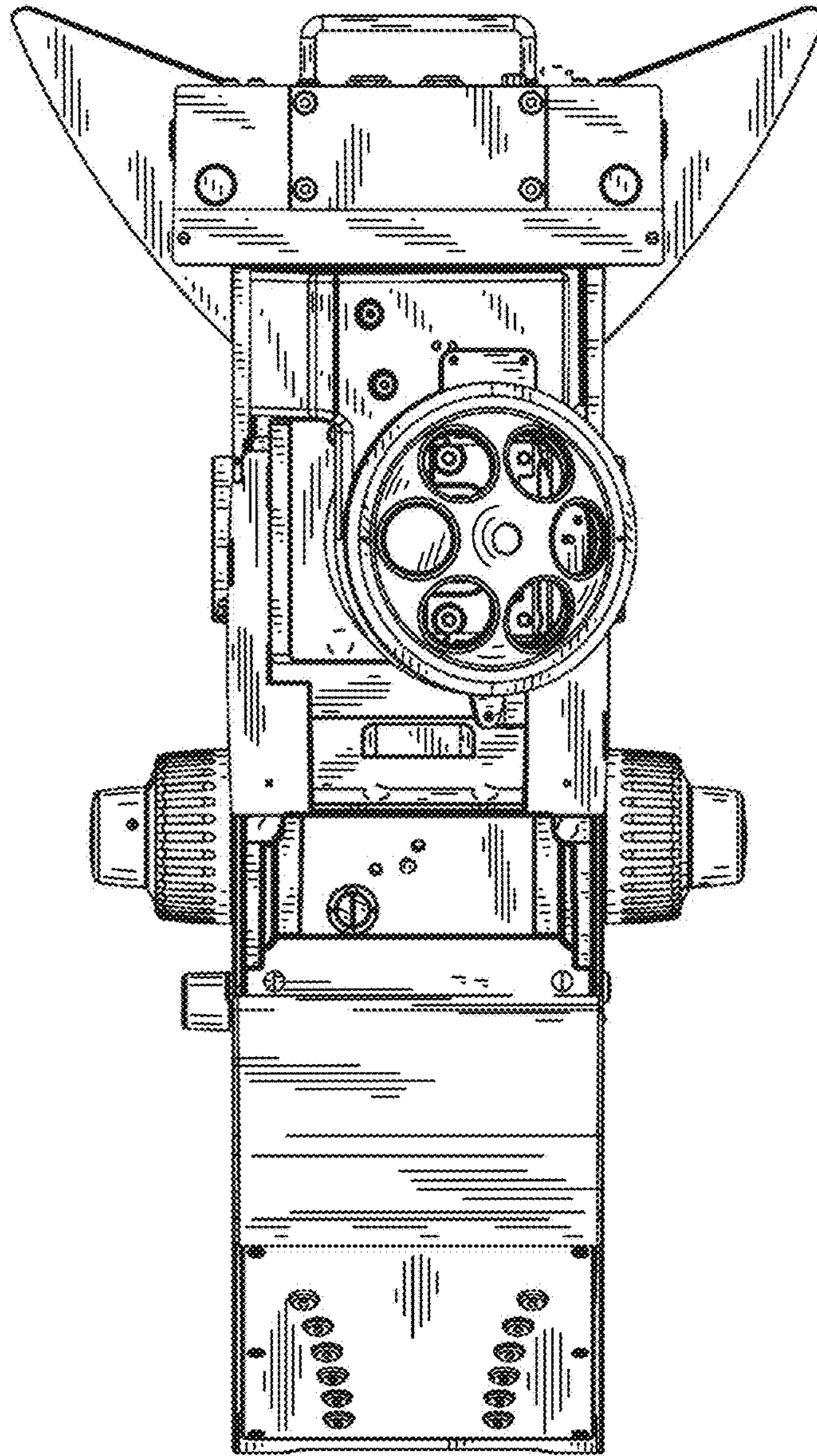


**FIG. 4**



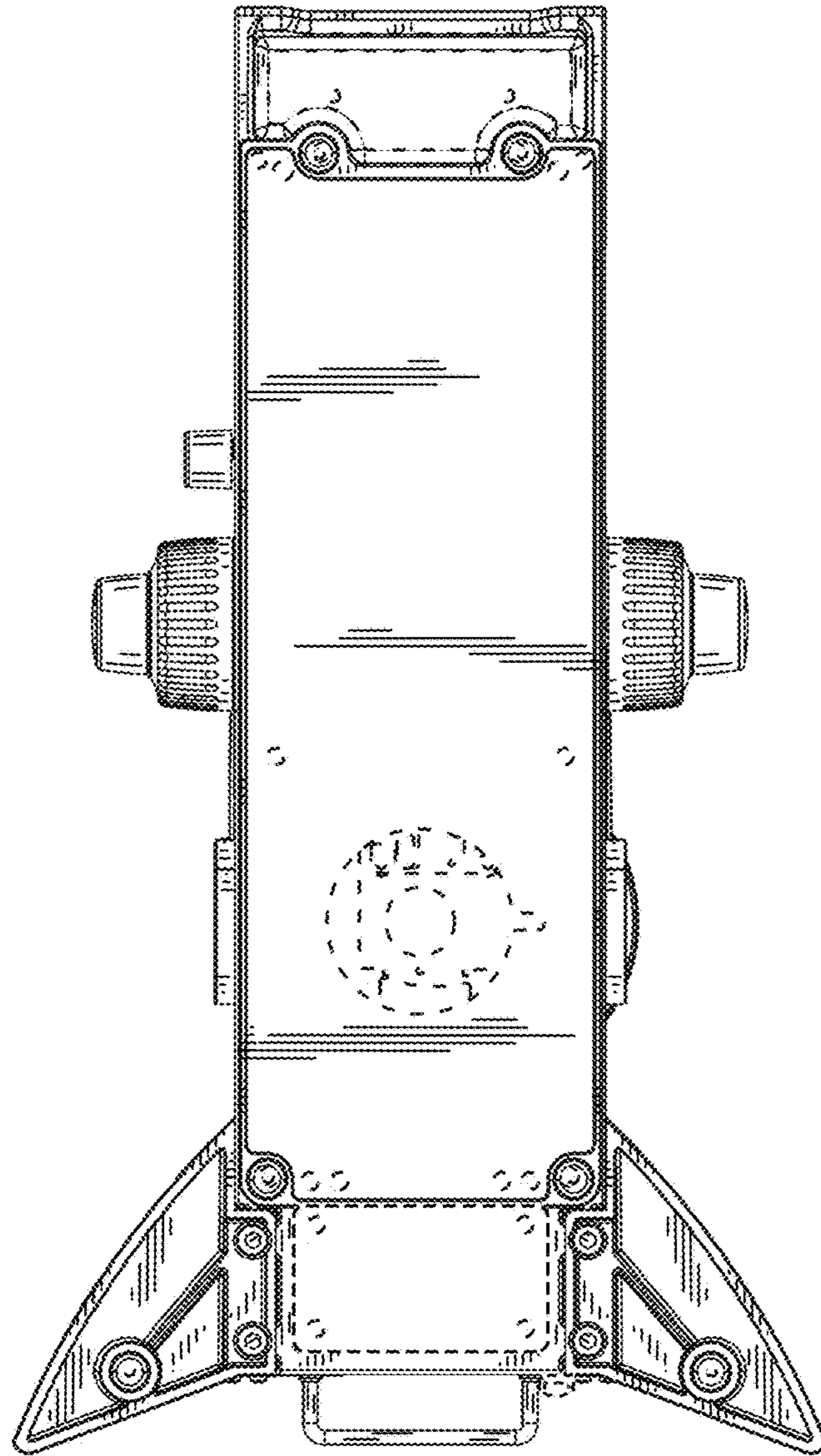
**FIG. 5**





**FIG. 6**





**FIG. 7**