



US00D862552S

(12) **United States Design Patent**
Fox et al.

(10) **Patent No.:** **US D862,552 S**
(45) **Date of Patent:** **** Oct. 8, 2019**

(54) **HOUSING FOR MICROSCOPIC AND
MACROSCOPIC IMAGERS WITH HINGED
COVER**

D794,019 S * 8/2017 Kusano D14/358
D816,648 S * 5/2018 Kwak D14/240
D817,313 S * 5/2018 Horito D14/240
D819,023 S * 5/2018 Shim D14/363
D824,901 S * 8/2018 Wu D14/365
D827,008 S * 8/2018 Okada D16/131

(71) Applicant: **CALIBER IMAGING &
DIAGNOSTICS, INC.**, Rochester, NY
(US)

(Continued)

(72) Inventors: **William J. Fox**, Rochester, NY (US);
Christopher E. Wagner, Webster, NY
(US); **Allison L. Cramb**, Rochester,
NY (US)

OTHER PUBLICATIONS

VivaScope(R) 2500 Multilaser, MAVIG GmbH, 2010.
VivaScope(R) 2500 Multilaser, MAVIG GmbH, 2015.

(73) Assignee: **CALIBER IMAGING &
DIAGNOSTICS, INC.**, Rochester, NY
(US)

Primary Examiner — Mark A Goodwin

Assistant Examiner — Benjamin M Weeks

(74) *Attorney, Agent, or Firm* — Kenneth J. Lukacher
Law Group; Kenneth J. Lukacher

(**) Term: **15 Years**

(57) **CLAIM**

(21) Appl. No.: **29/638,329**

The ornamental design for a housing for microscopic and
macroscopic imagers with hinged cover, as shown and
described.

(22) Filed: **Feb. 26, 2018**

(51) **LOC (12) Cl.** **16-06**

(52) **U.S. Cl.**
USPC **D16/131**

DESCRIPTION

(58) **Field of Classification Search**
USPC D16/130, 131, 133, 132, 134–136;
D24/186, 216, 232; D14/351–370
CPC G02B 2027/0123; G02B 2027/0132
See application file for complete search history.

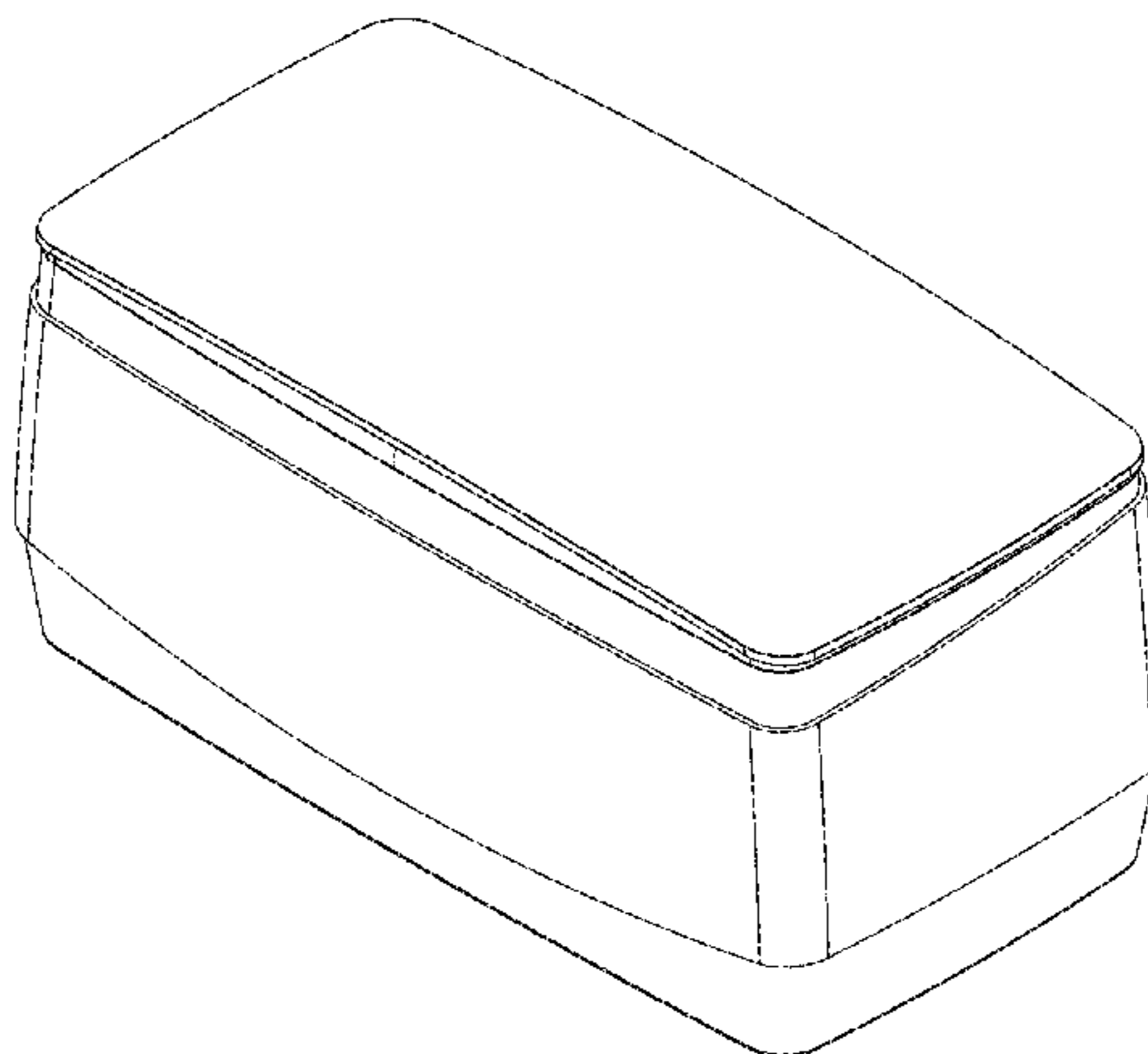
FIG. 1 is a perspective view looking downwardly at the right
side of a housing for microscopic and macroscopic imagers
with hinged cover in accordance with our design, in which
the cover is shown positioned in down state;
FIG. 2 is a right side elevational view thereof, the left side
elevational view being a mirror image;
FIG. 3 is a front elevation view thereof;
FIG. 4 is a rear elevation view thereof;
FIG. 5 is a top view thereof;
FIG. 6 is a bottom view thereof;
FIG. 7 is a perspective view looking upwardly at the bottom
along the right side thereof; and,
FIG. 8 is the same perspective view as FIG. 1 in which the
hinged cover is shown positioned in a lifted state, and
broken lines to a mounting platform and internal compo-
nents form no part of the claimed design.

(56) **References Cited**

U.S. PATENT DOCUMENTS

D587,707 S * 3/2009 Maiers D14/356
D600,726 S * 9/2009 Claassen D15/199
D656,978 S * 4/2012 Stoiakine D16/131
D690,754 S * 10/2013 Tsuda D16/131
D695,290 S * 12/2013 Fukuoka D14/365
D697,118 S * 1/2014 Okuyama D16/131
D719,991 S * 12/2014 Ko D15/199
D741,314 S * 10/2015 Kwak D14/253
D782,466 S * 3/2017 Yepez D14/307

1 Claim, 8 Drawing Sheets



(56)

References Cited

U.S. PATENT DOCUMENTS

D829,768 S * 10/2018 Lippitt D14/496
D831,646 S * 10/2018 Kusano D14/358

* cited by examiner

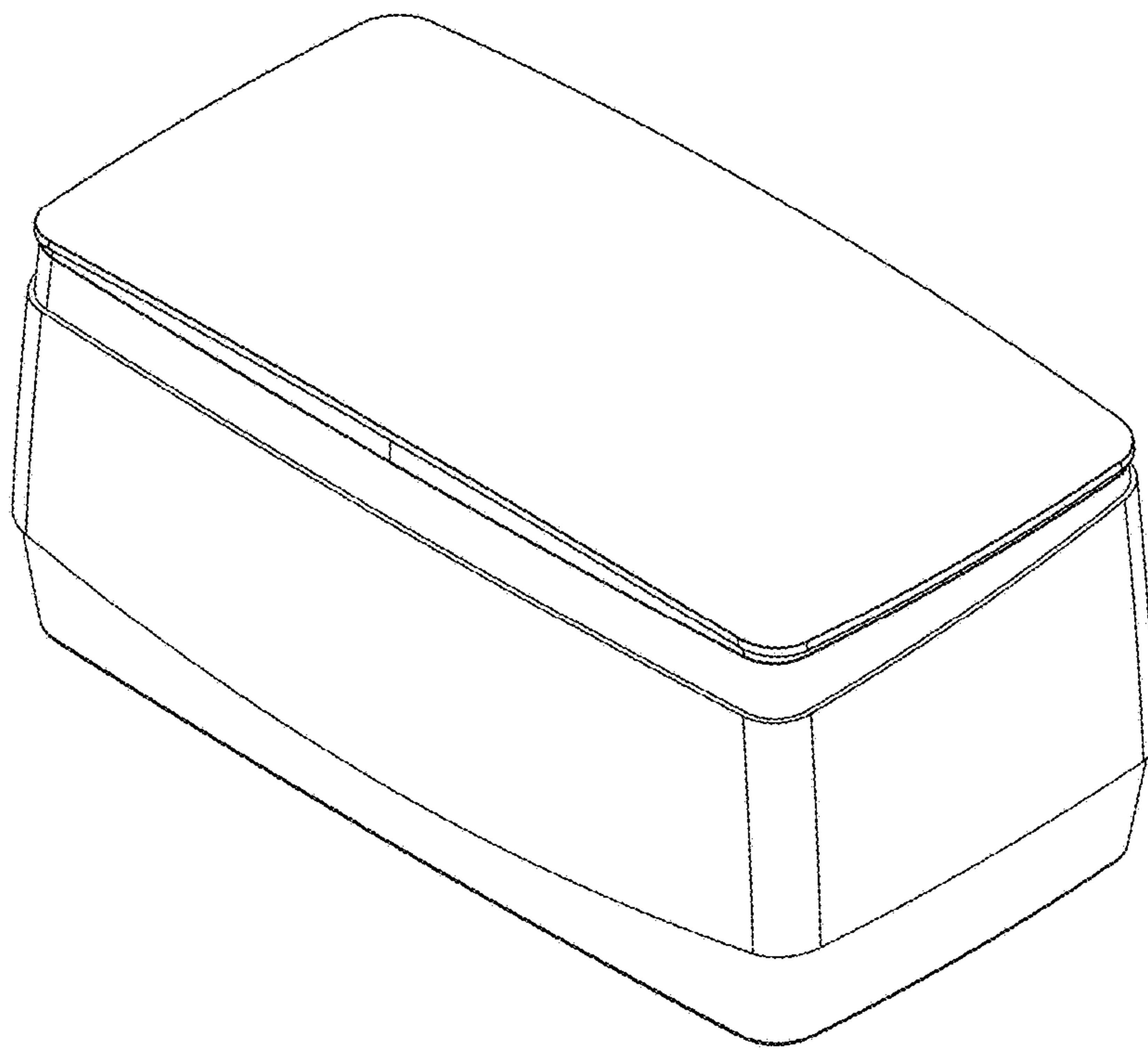


FIG.1

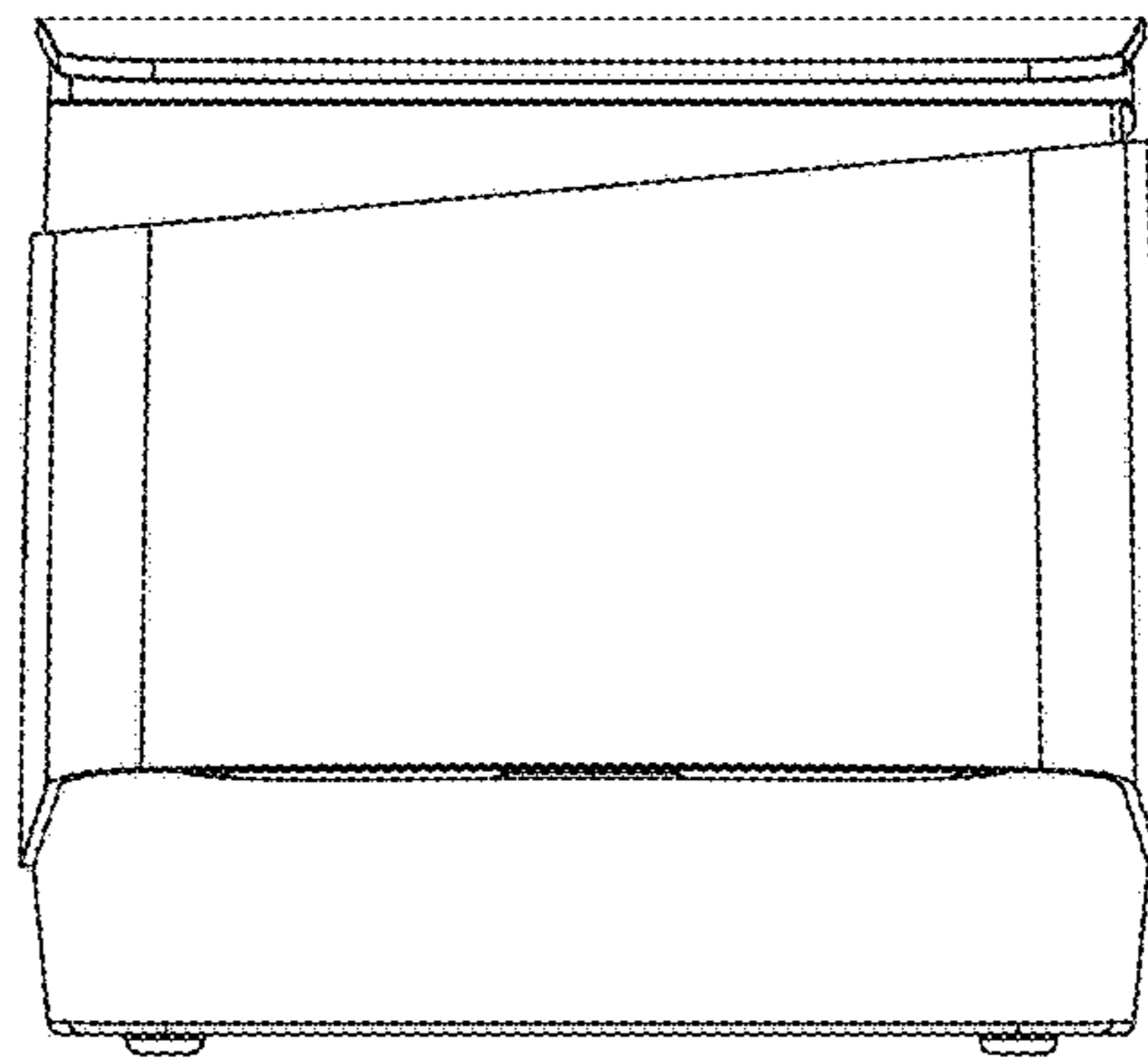


FIG.2

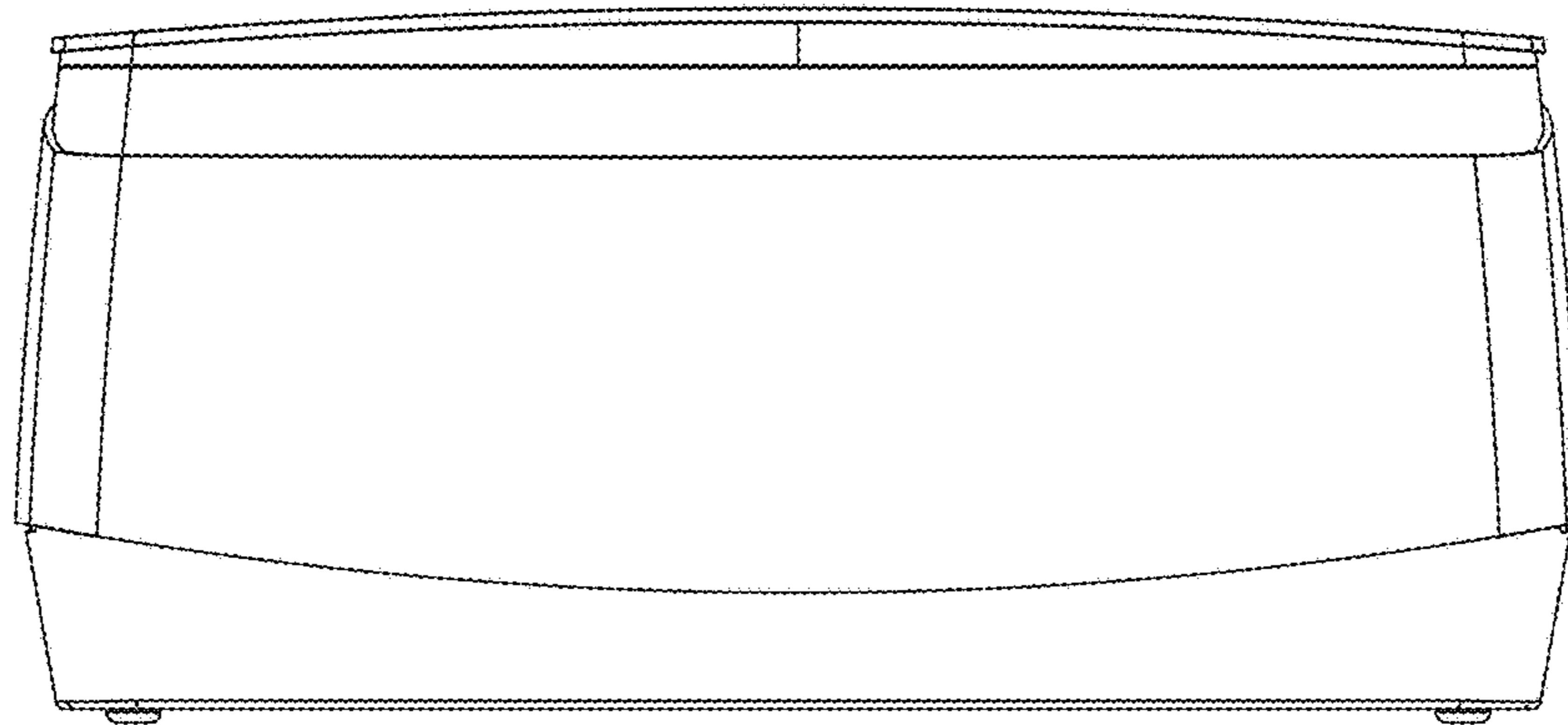


FIG.3

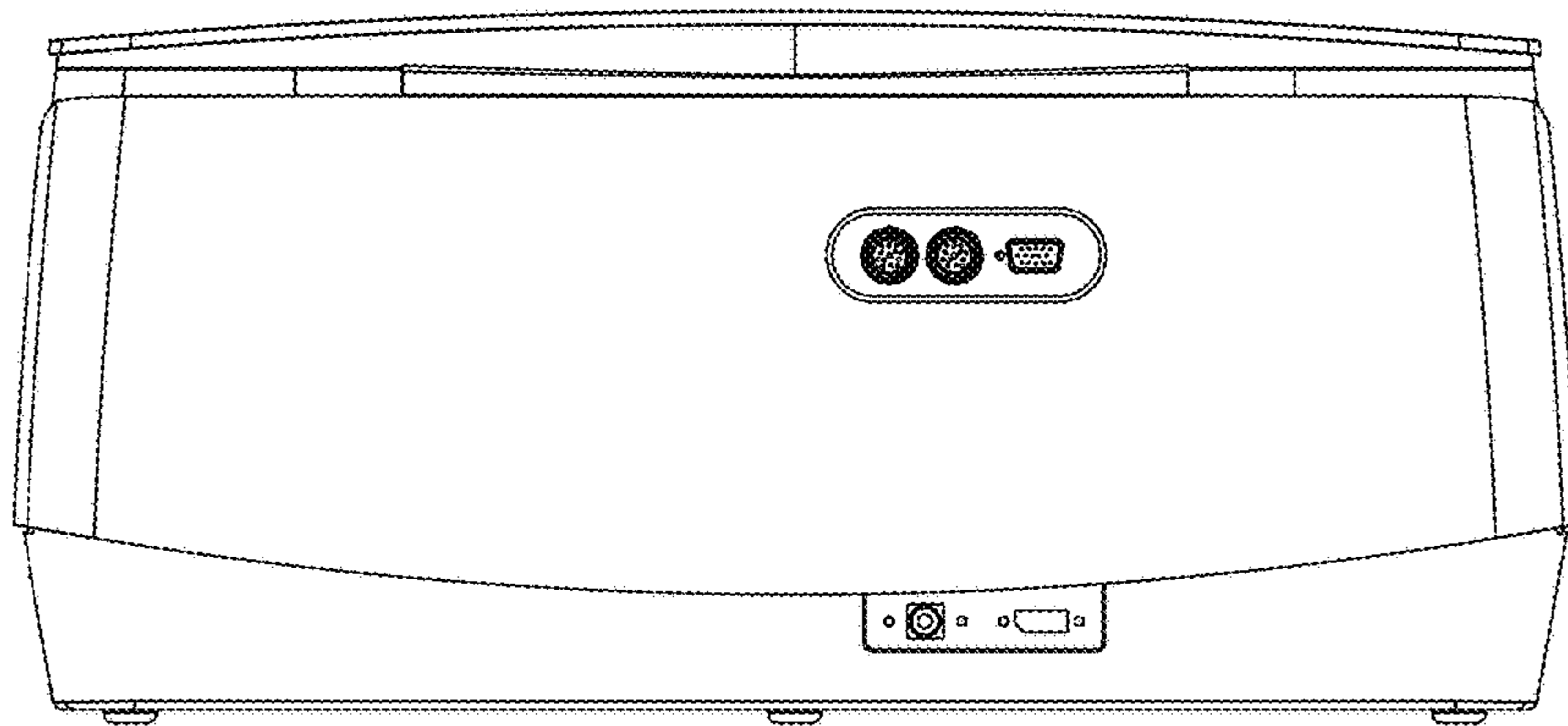


FIG.4

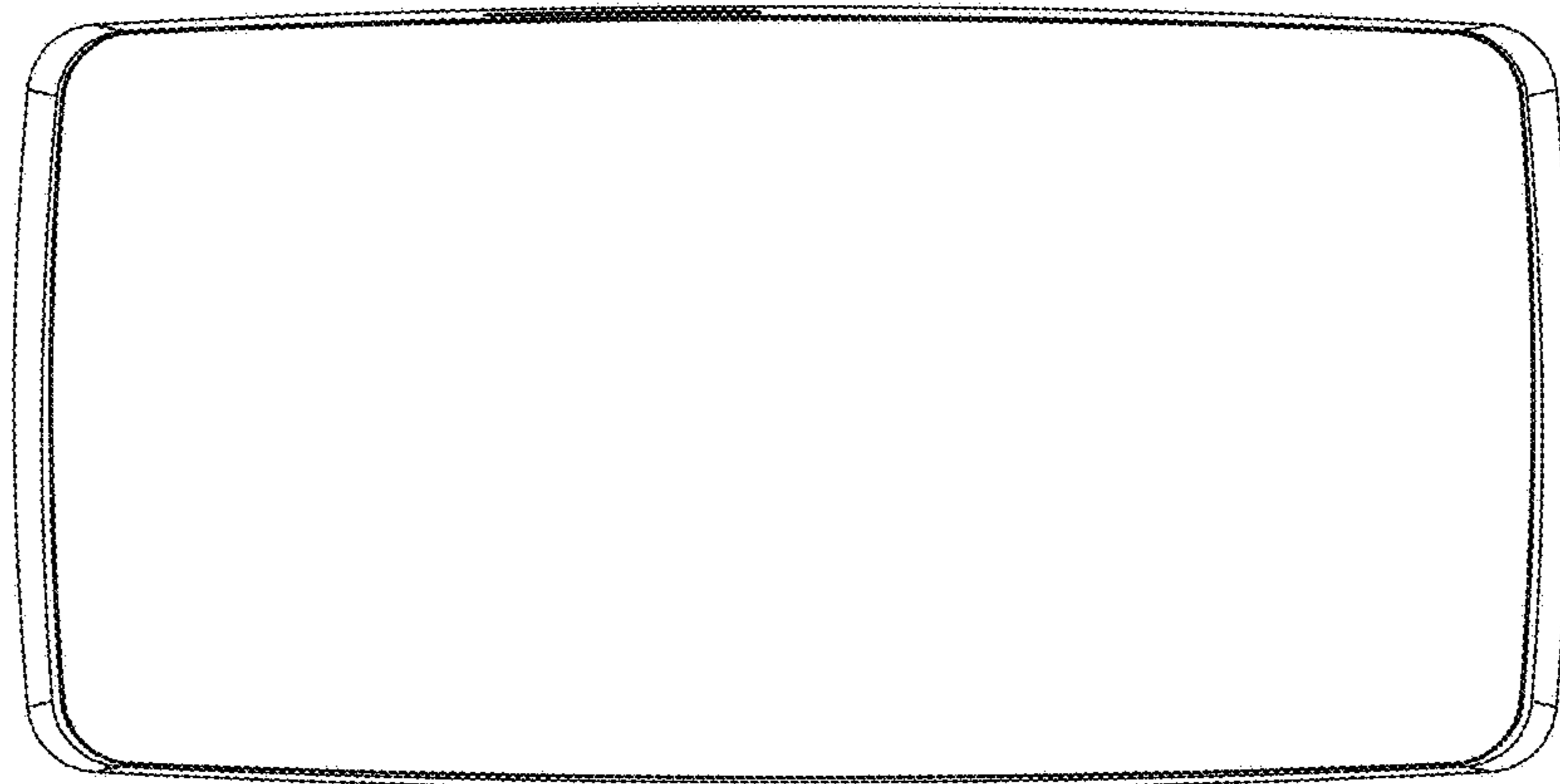


FIG.5

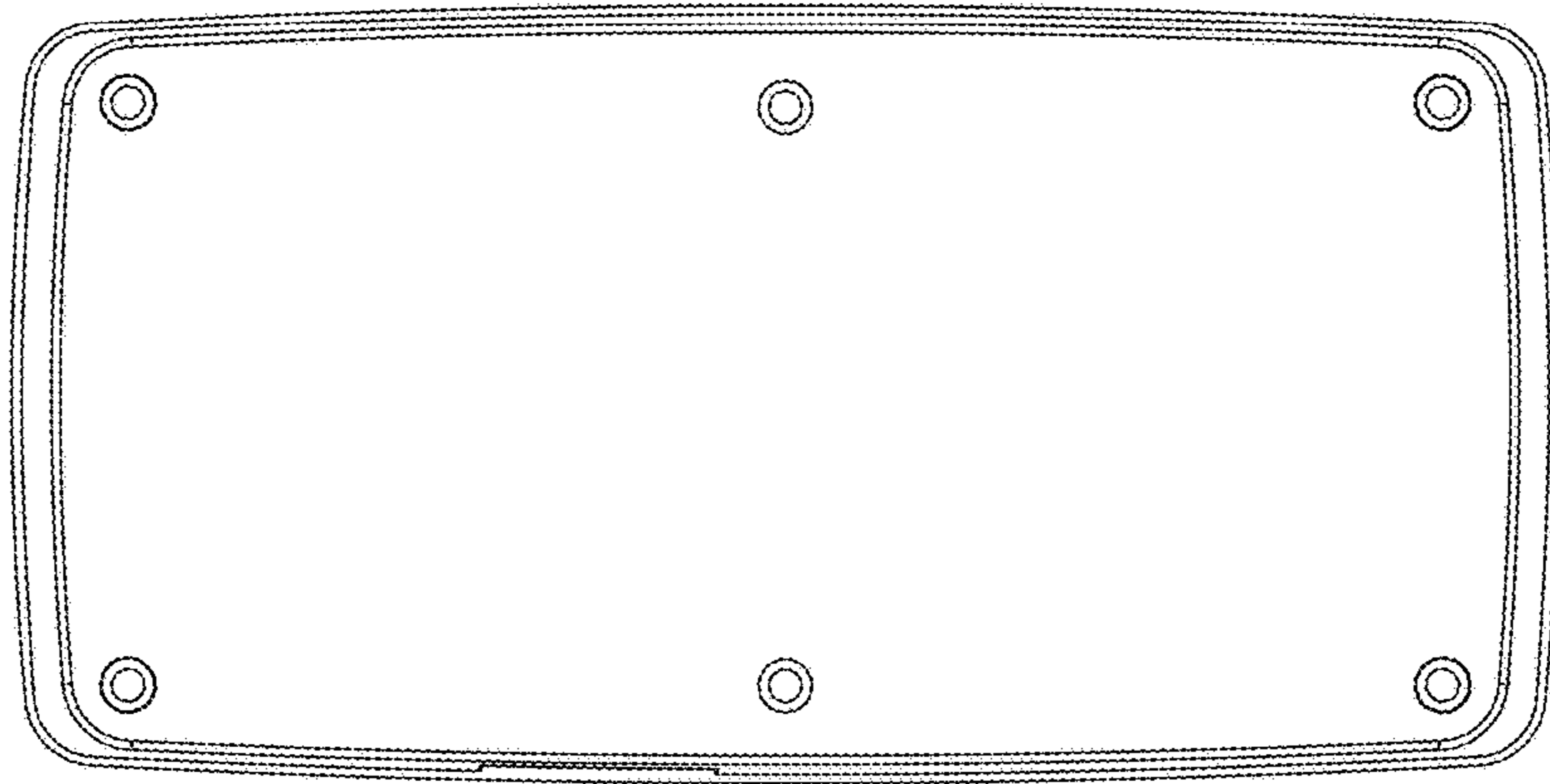


FIG.6

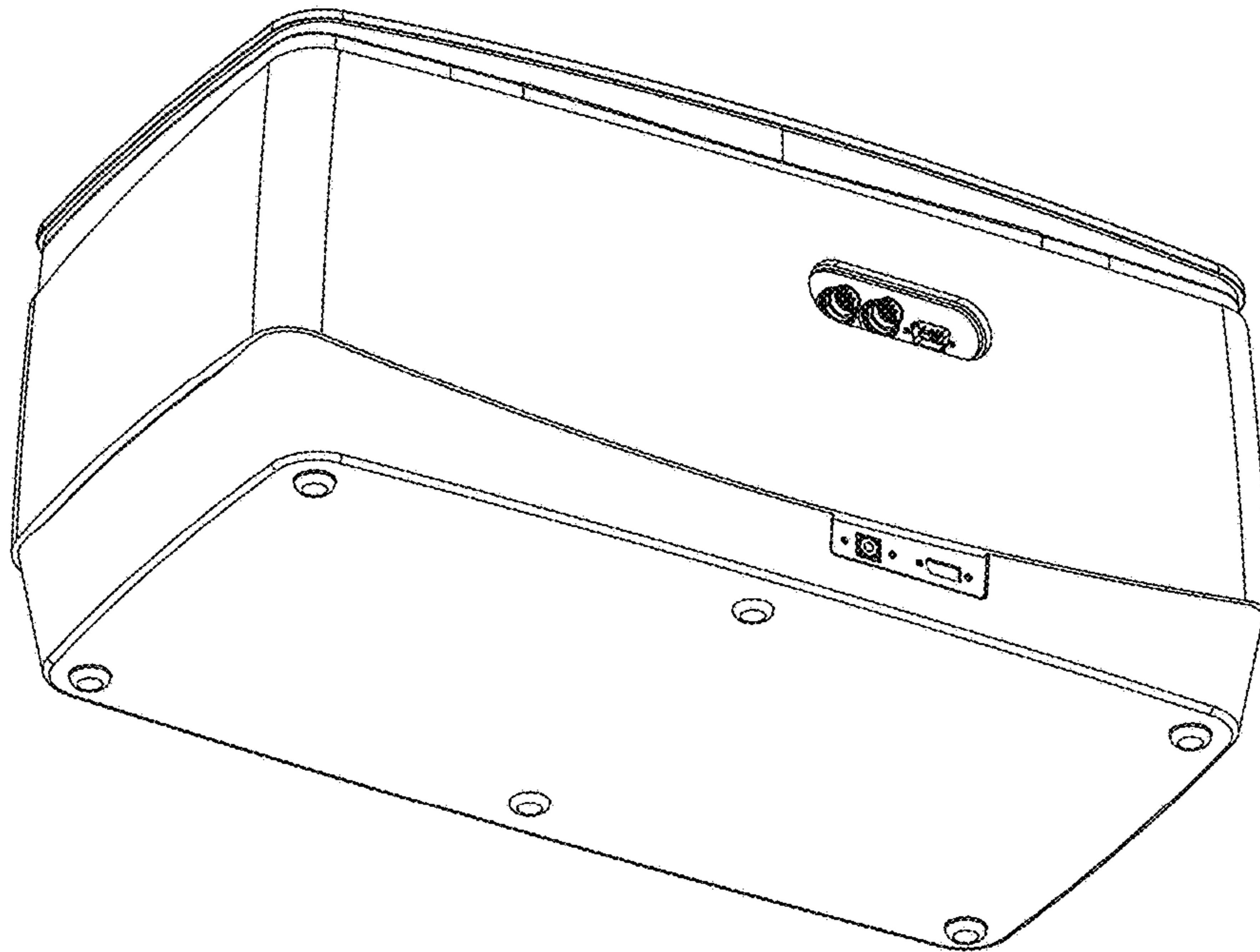


FIG.7

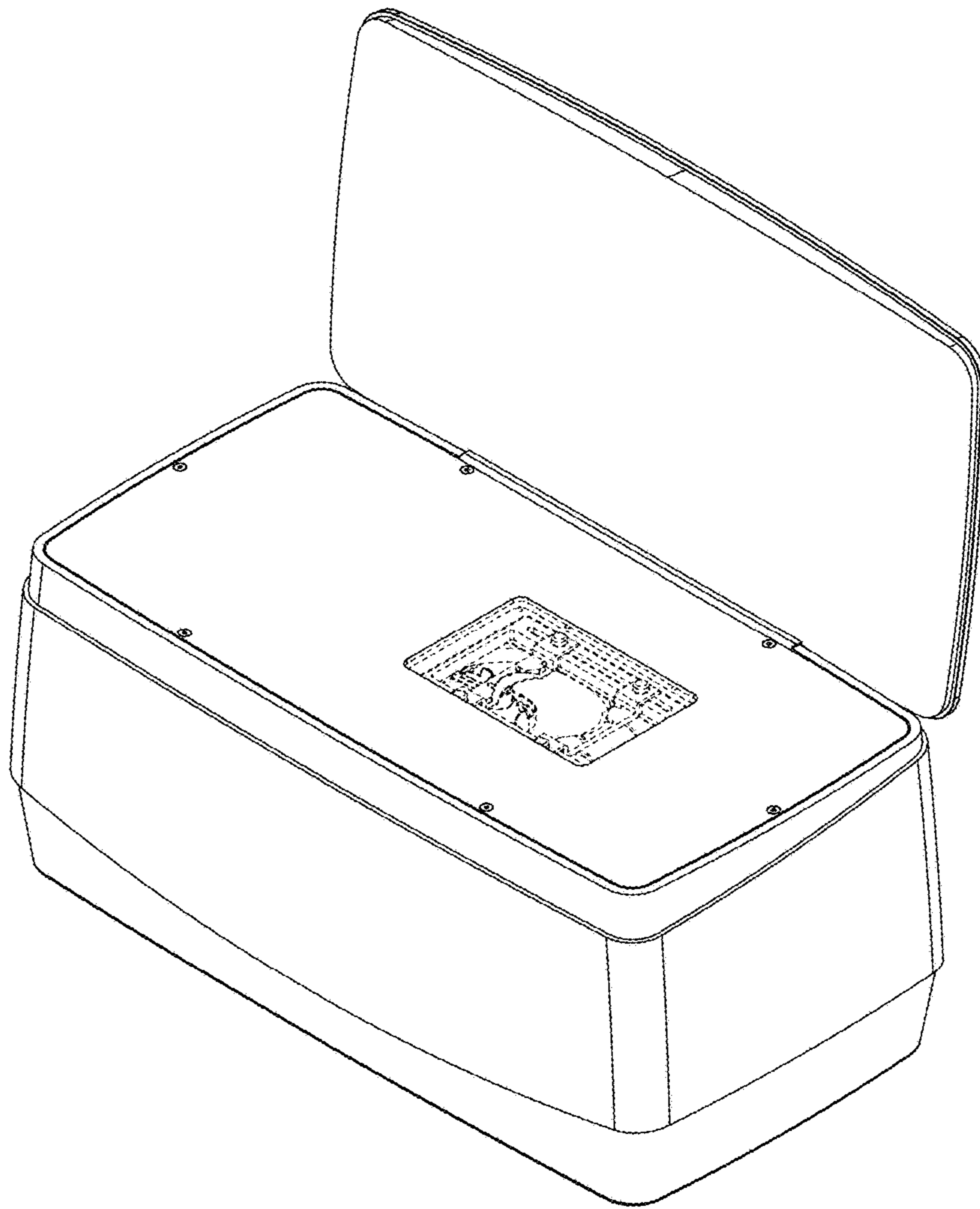


FIG. 8