



US00D862551S

(12) **United States Design Patent** (10) **Patent No.:** **US D862,551 S**
Chen (45) **Date of Patent:** **** Oct. 8, 2019**

(54) **HEAD FOR MOBILE SERVICE ROBOT**

(71) Applicant: **NINEBOT (BEIJING) TECH, CO., LTD**, Beijing (CN)

(72) Inventor: **Xingchi Chen**, Beijing (CN)

(73) Assignee: **NINEBOT (BEIJING) TECH. CO., LTD**, Beijing (CN)

(**) Term: **15 Years**

(21) Appl. No.: **35/503,649**

(22) Filed: **May 19, 2017**

(80) **Hague Agreement Data**

Int. Filing Date: **May 19, 2017**

Int. Reg. No.: **DM/097426**

Int. Reg. Date: **May 19, 2017**

Int. Reg. Pub. Date: **Sep. 8, 2017**

(30) **Foreign Application Priority Data**

Nov. 21, 2016 (CN) 2016 3 0564684

(51) **LOC (12) Cl.** **15-99**

(52) **U.S. Cl.**
USPC **D15/199**
CPC **B25J 5/007** (2013.01)

(58) **Field of Classification Search**
USPC D15/199; D21/578-583, 621, 622
CPC ... B25J 5/00; B25J 5/007; B25J 9/0006; B25J
19/0016; Y10S 901/01; Y10S 901/19;
Y10S 901/27

See application file for complete search history.

(56) **References Cited**

U.S. PATENT DOCUMENTS

D248,688 S * 7/1978 Vernon, Jr. D21/578
D285,599 S * 9/1986 Forino D21/578
D288,581 S * 3/1987 Man D21/578
D355,148 S 2/1995 Orsolini
6,561,294 B1 5/2003 Kamen et al.

D489,027 S 4/2004 Waters
D493,128 S 7/2004 Waters et al.
D494,099 S 8/2004 Maurer et al.
D507,206 S 7/2005 Wang
D528,468 S 9/2006 Arling et al.
D551,592 S 9/2007 Chang et al.
D551,722 S 9/2007 Chang et al.
D563,443 S * 3/2008 Ahn D15/199
D569,308 S 5/2008 Bergeron et al.
D572,739 S * 7/2008 Jennings D15/199
D574,404 S * 8/2008 Maisonnier D15/199
D587,173 S 2/2009 Laymaster
D594,492 S 6/2009 Stratton et al.
D601,922 S 10/2009 Imai et al.
D626,031 S 10/2010 Doran
D626,578 S * 11/2010 Wiley D15/199
D627,377 S * 11/2010 Wiley D15/199
D644,256 S * 8/2011 Kitano D15/199
8,306,664 B1 * 11/2012 Wiley B25J 5/007
280/304

(Continued)

OTHER PUBLICATIONS

U.S. Appl. No. 35/501,474, filed May 12, 2016.

Primary Examiner — Richard E Chilcot

(74) *Attorney, Agent, or Firm* — Margaret Polson; Polson Intellectual Property Law, PC

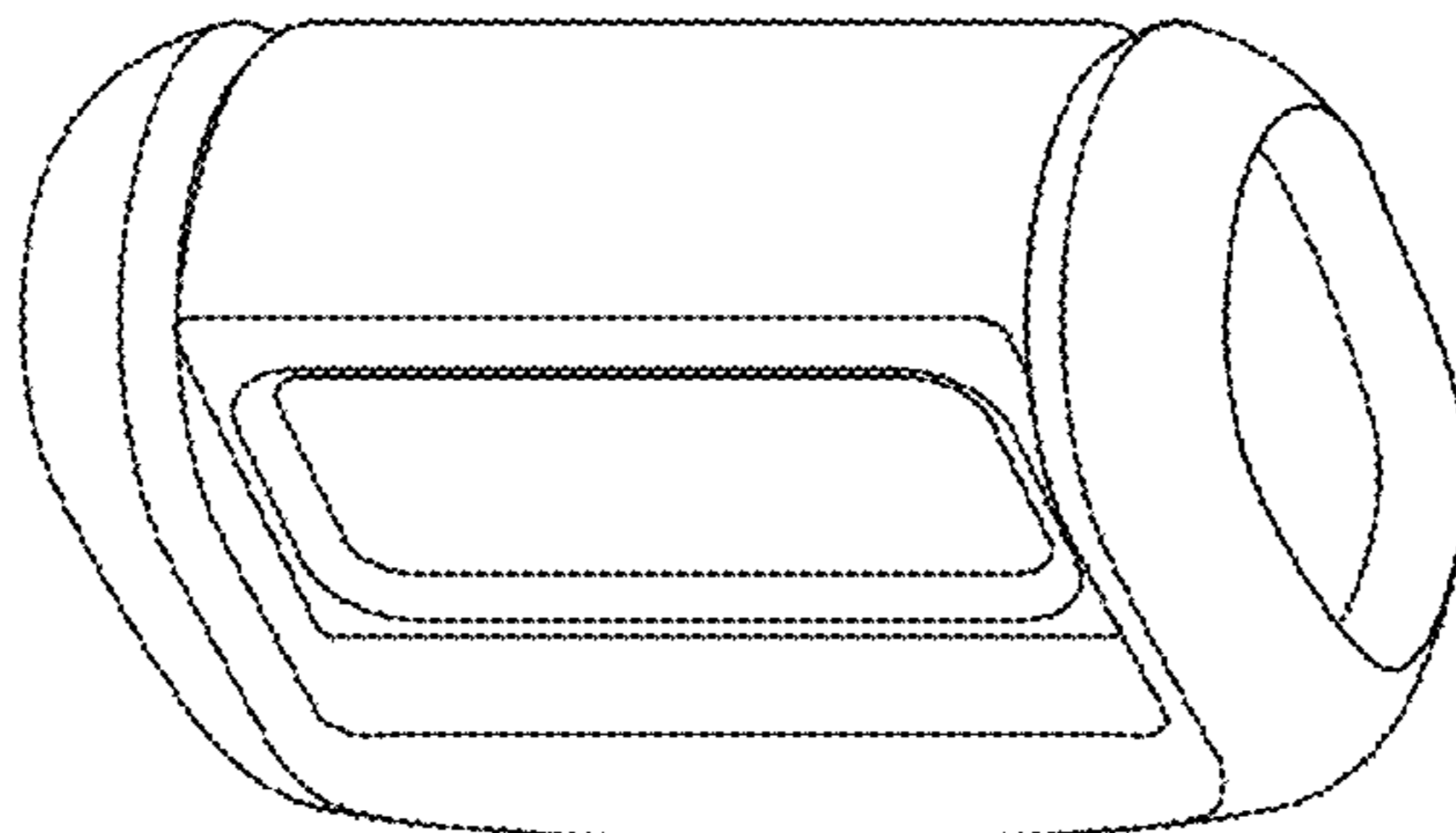
(57) **CLAIM**

The ornamental design for a head for mobile service robot, as shown and described.

DESCRIPTION

- 1. A head for a mobile service robot
- 1.1 is a front perspective view of my new design for a mobile service robot
- 1.2 is a front side elevation view of Figure 1.1
- 1.3 is a back side elevation view of Figure 1.1
- 1.4 is a left side elevation view of Figure 1.1
- 1.5 is a right side elevation view of Figure 1.1
- 1.6 is a top side plan view of Figure 1.1
- 1.7 is a bottom side plan view of Figure 1.1

1 Claim, 7 Drawing Sheets



(56)

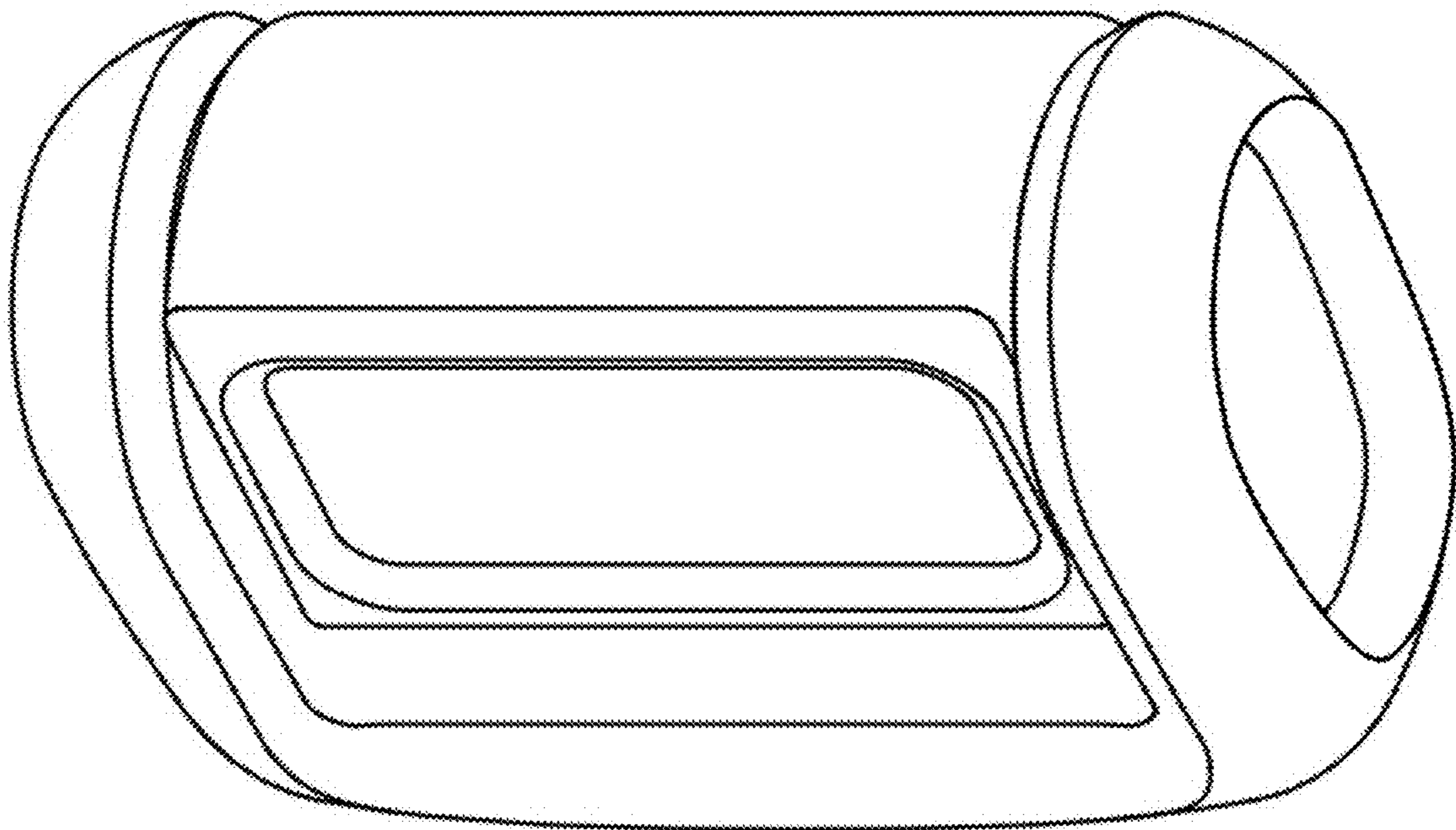
References Cited

U.S. PATENT DOCUMENTS

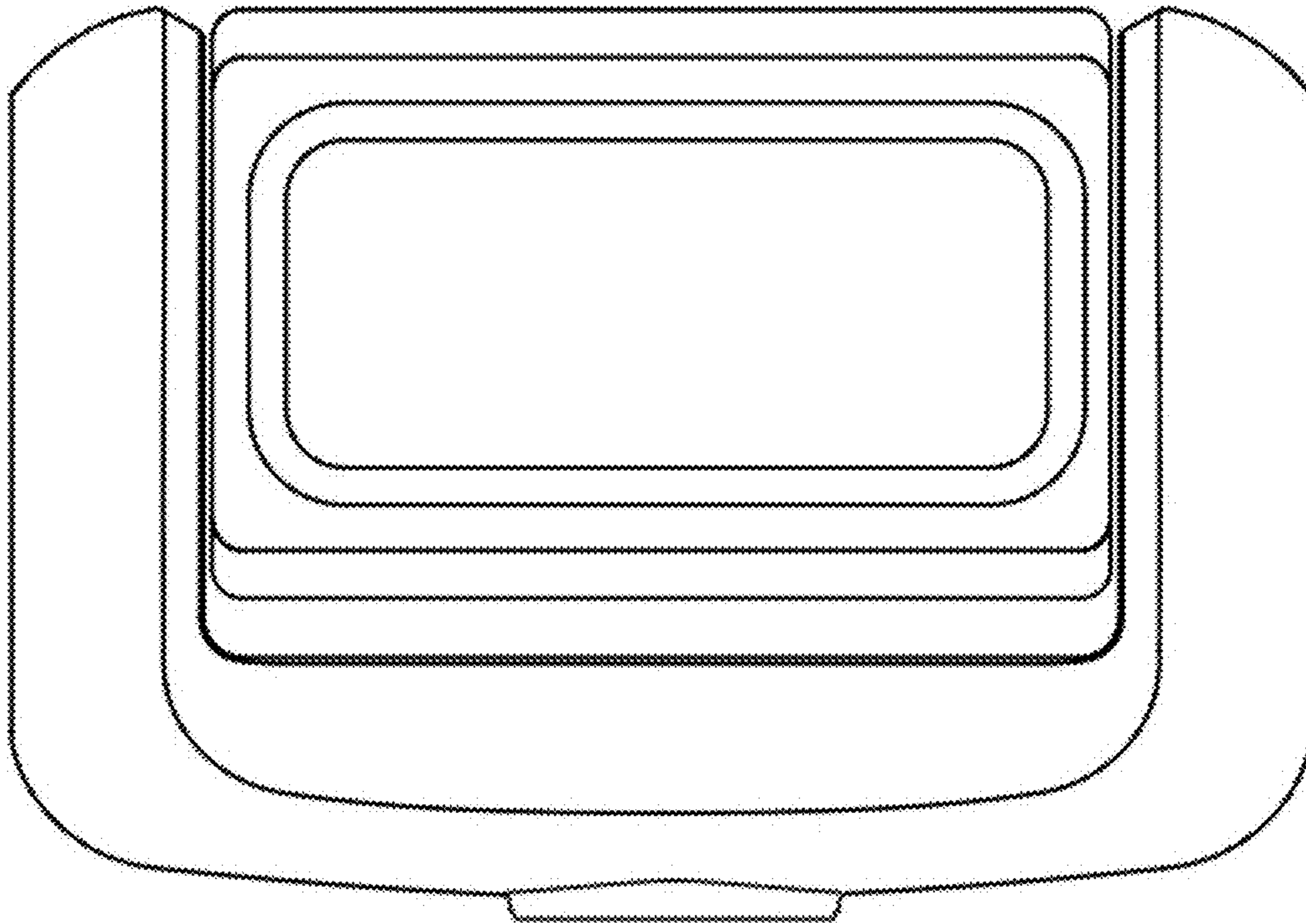
D675,656 S *	2/2013	Sutherland	D15/199	D812,153 S *	3/2018	Belker	D21/659
D699,626 S	2/2014	Nam			D812,154 S *	3/2018	Belker	D21/659
8,800,697 B2	8/2014	Hoffmann et al.			D818,020 S *	5/2018	McGinn	D15/199
D715,381 S *	10/2014	Ito	A63H 3/00 D21/578	D829,251 S *	9/2018	Wang	D15/199
9,085,334 B2	7/2015	Hoffmann et al.			2005/0134014 A1	6/2005	Xie		
D735,608 S	8/2015	Cao et al.			2005/0222713 A1 *	10/2005	Kawabe	B25J 19/021 700/259
D739,307 S	9/2015	Hoffmann et al.			2006/0013469 A1 *	1/2006	Wang	B25J 5/007 382/153
D743,843 S	11/2015	Guo et al.			2006/0182596 A1 *	8/2006	Dent	A61B 34/70 414/699
9,188,984 B2	11/2015	Kamen et al.			2007/0297632 A1 *	12/2007	Joublin	B25J 13/003 381/372
D748,533 S	2/2016	Collins et al.			2008/0167160 A1 *	7/2008	Koike	B60B 19/14 476/33
D774,600 S	12/2016	Tao			2009/0118865 A1 *	5/2009	Egawa	B25J 19/023 700/259
D774,940 S	12/2016	de la Gandara			2010/0010672 A1 *	1/2010	Wang	B25J 5/00 700/259
9,545,963 B2	1/2017	Kame et al.			2012/0061155 A1 *	3/2012	Berger	B25J 5/007 180/21
9,611,004 B2	4/2017	Hoffmann et al.			2016/0059408 A1 *	3/2016	Isobe	B25J 5/007 700/253
D788,639 S	6/2017	Constin			2017/0072284 A1 *	3/2017	Thoman	A63B 69/406
D792,715 S	7/2017	Liu et al.			2018/0043532 A1 *	2/2018	Lection	B25J 9/1661
D793,107 S	8/2017	Liu et al.			2018/0043543 A1 *	2/2018	Buibas	H04N 5/2256
D793,905 S	8/2017	Liu et al.							
D794,345 S	8/2017	Liu et al.							
9,776,327 B2 *	10/2017	Pinter	G06Q 50/22					
D804,585 S *	12/2017	Belker	D21/562					
9,878,445 B2 *	1/2018	Angle	B25J 5/007					
D811,495 S *	2/2018	Belker	D21/659					
D811,496 S *	2/2018	Belker	D21/659					

* cited by examiner

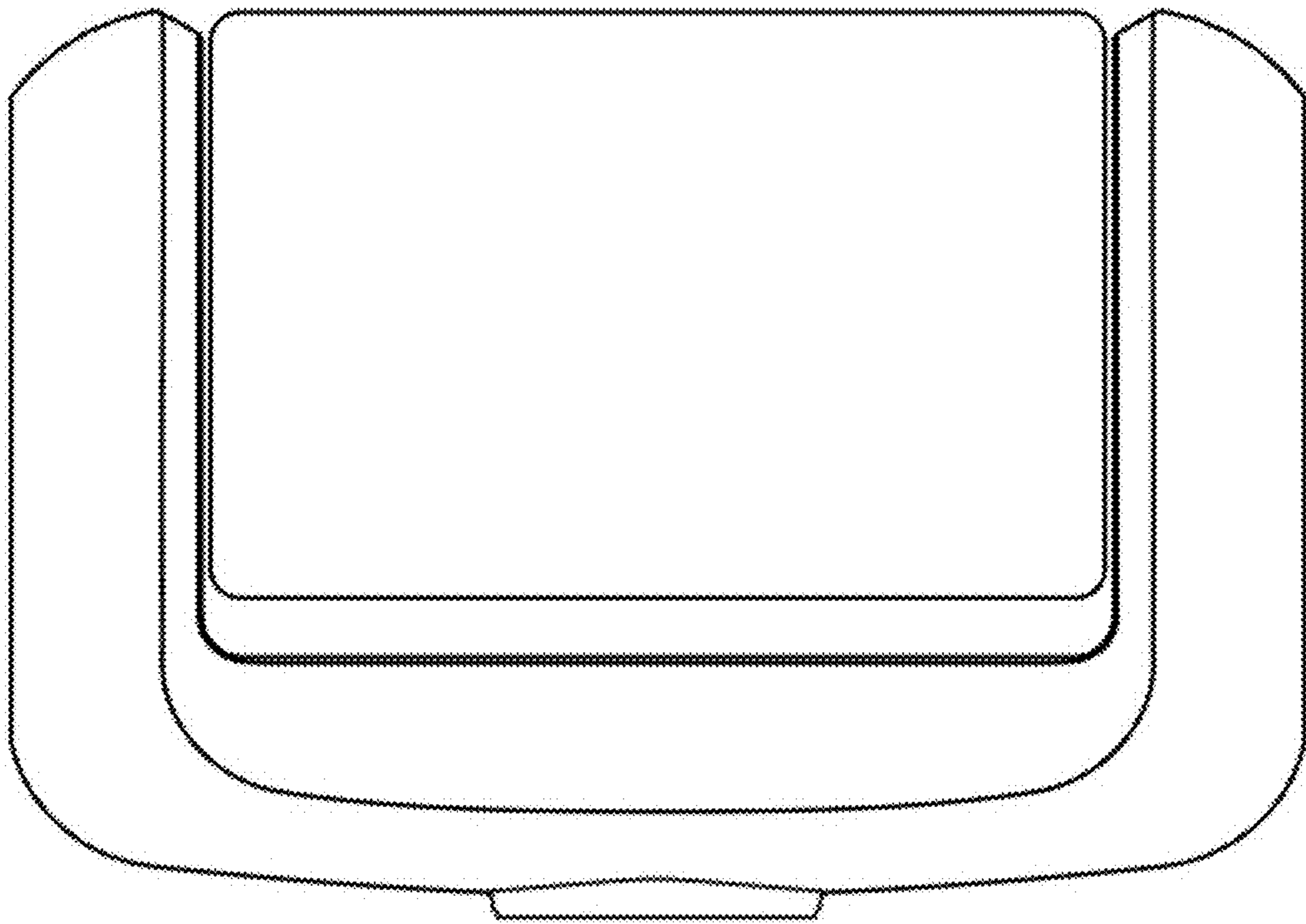
1.1



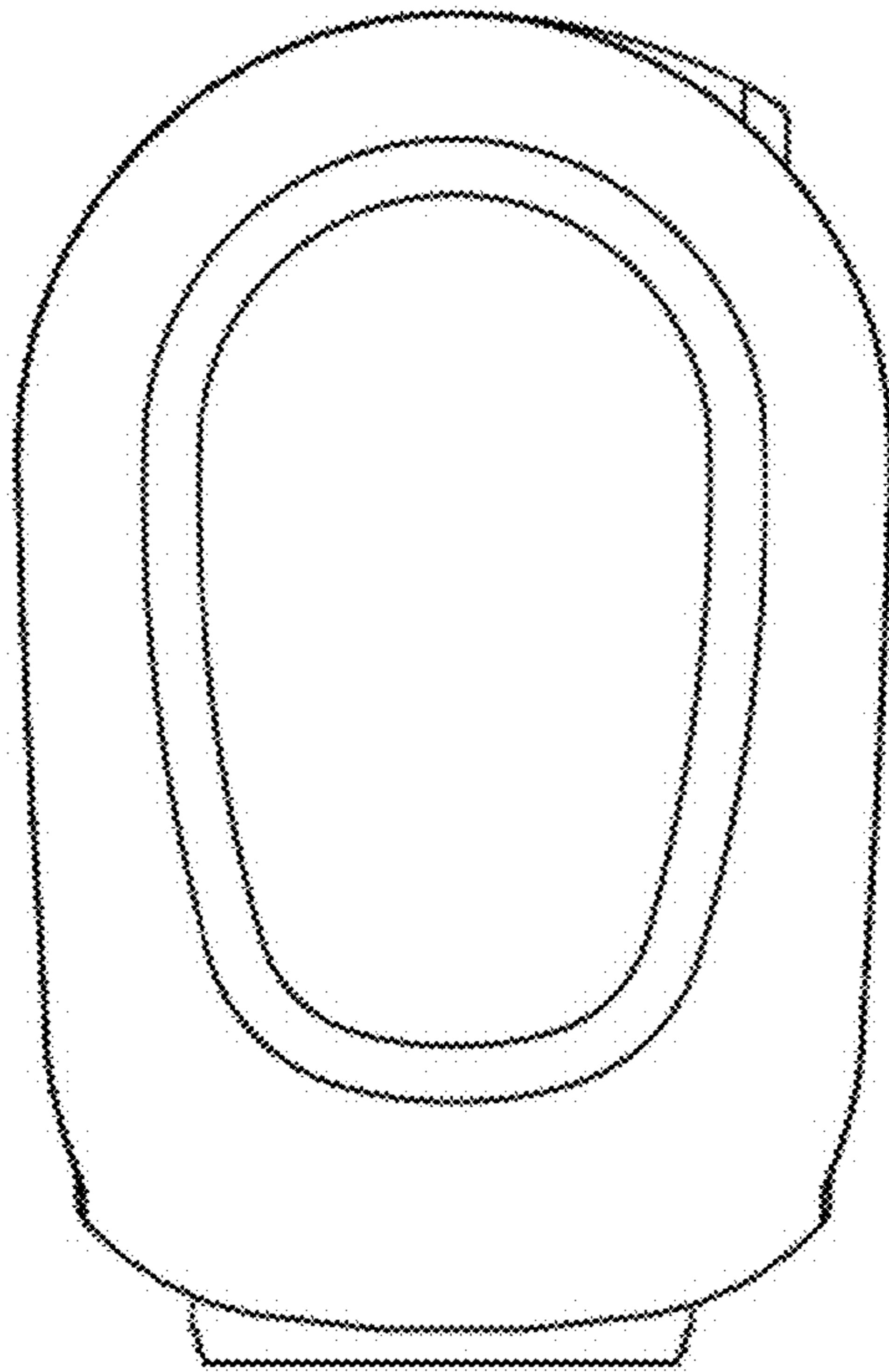
1.2



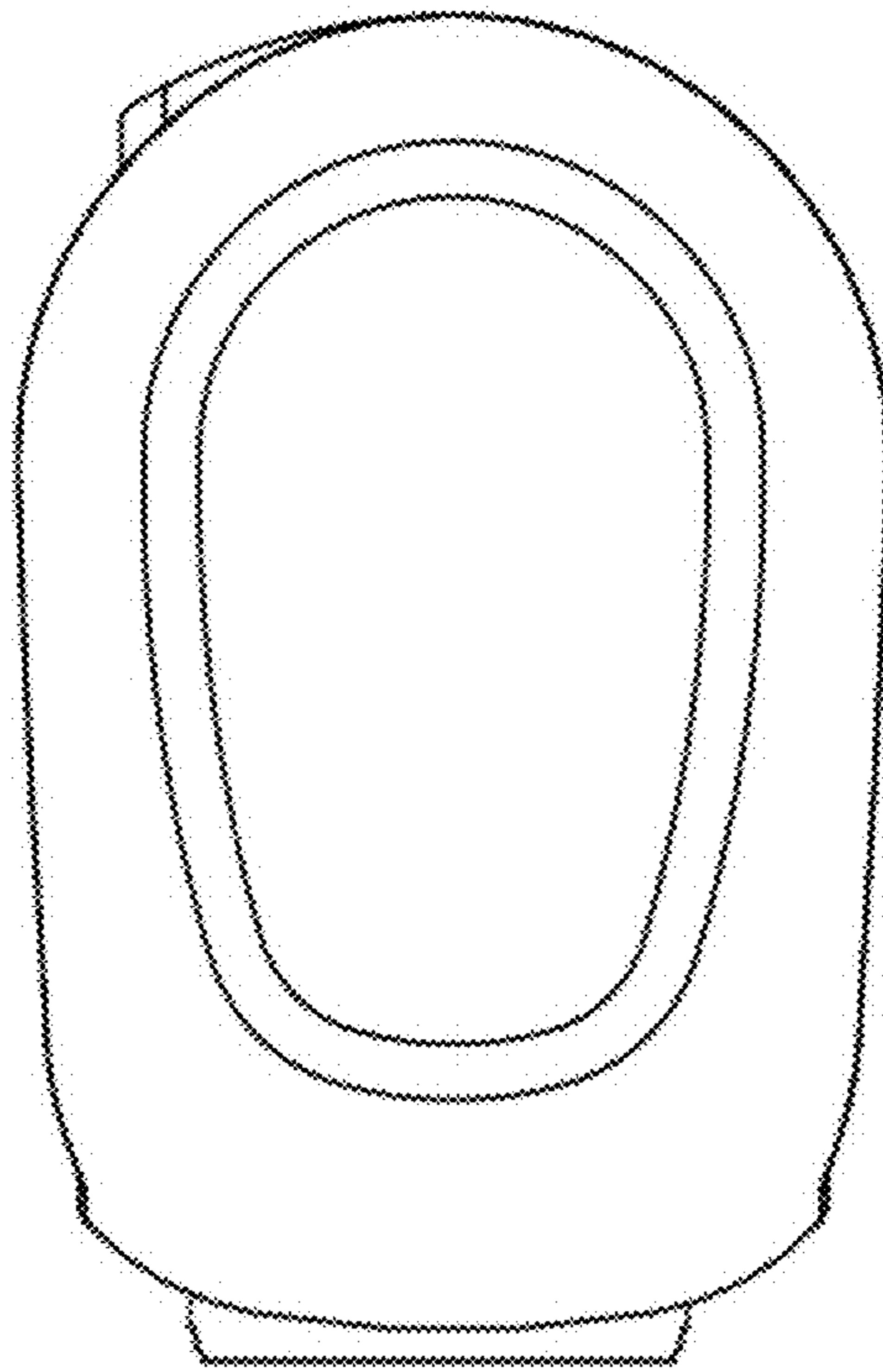
1.3



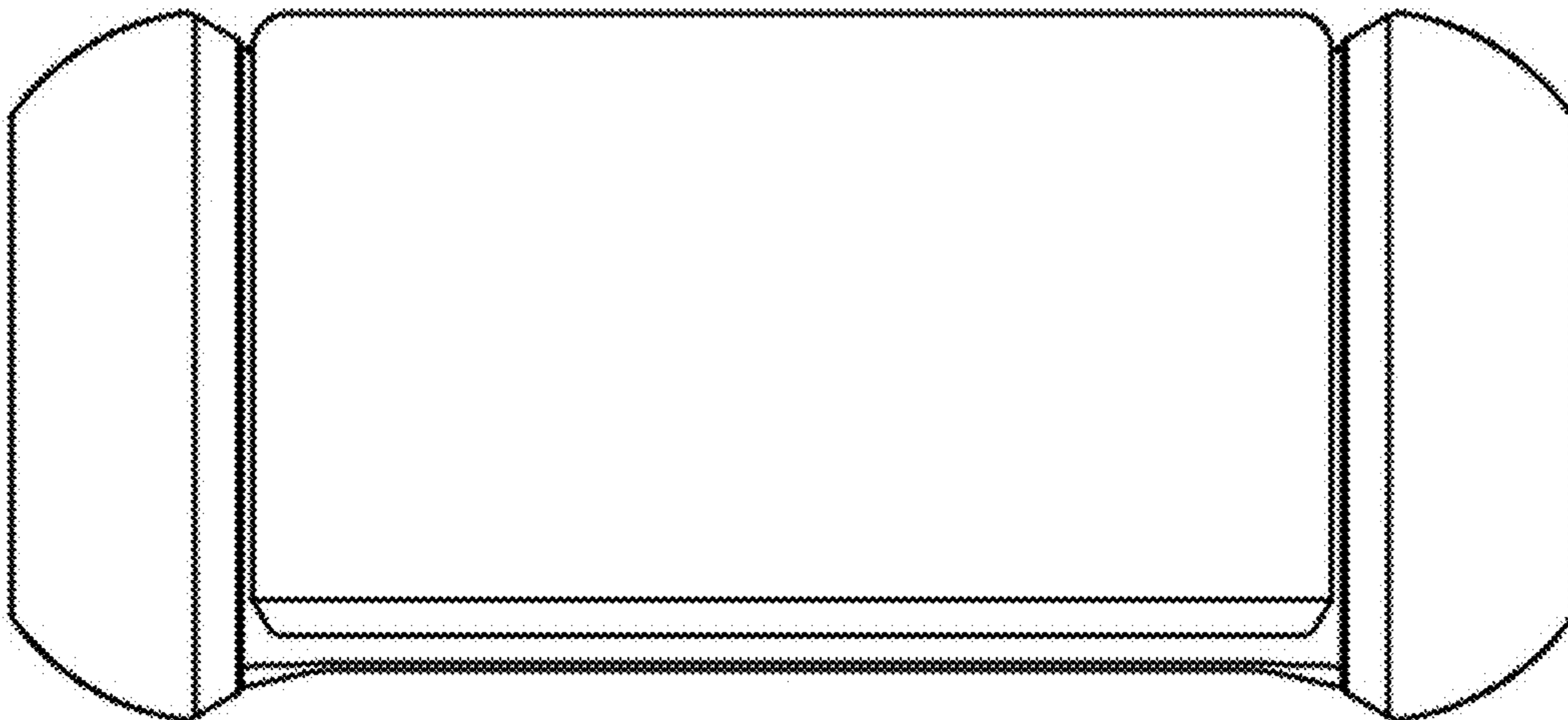
1.4



1.5



1.6



1.7

