



US00D862549S

(12) **United States Design Patent**
Eirich

(10) **Patent No.:** **US D862,549 S**
(45) **Date of Patent:** **** Oct. 8, 2019**

- (54) **SELECTIVE SIZE, AUTOMATIC POLE ROLLER, WITH DETACHABLE LOWER**
- (71) Applicant: **William Shane Eirich, Jerome, ID (US)**
- (72) Inventor: **William Shane Eirich, Jerome, ID (US)**
- (**) Term: **15 Years**
- (21) Appl. No.: **29/651,205**
- (22) Filed: **Feb. 15, 2018**
- (51) **LOC (12) Cl.** **15-99**
- (52) **U.S. Cl.**
USPC **D15/199**
- (58) **Field of Classification Search**
USPC D15/135, 136, 137, 199
CPC B44C 7/08; E04F 21/00; E04F 21/165;
G03D 15/02; Y10T 156/18
See application file for complete search history.

- 6,146,039 A * 11/2000 Pool B05C 17/005
401/171
- 7,337,648 B2 * 3/2008 Green B25B 27/10
156/579
- D616,907 S 6/2010 Eirich
- 8,001,695 B2 * 8/2011 Watters E04F 21/1655
33/42
- 8,177,453 B2 * 5/2012 Cole E04F 21/00
403/122
- 8,523,467 B2 * 9/2013 Murray B05C 17/005
401/5
- 8,851,773 B2 * 10/2014 Gill E04F 21/165
15/235.4
- D802,642 S 11/2017 Eirich
- 9,938,731 B1 * 4/2018 Wallace E04F 21/1657
- D822,087 S * 7/2018 Eirich D15/199
- 2004/0129387 A1 * 7/2004 Ibrahim E04D 15/06
156/577
- 2010/0196078 A1 * 8/2010 Ovens B05C 11/04
401/48

* cited by examiner

Primary Examiner — Patricia A Palasik

(56) **References Cited**

U.S. PATENT DOCUMENTS

- 2,146,471 A * 2/1939 Hebert A47G 25/72
219/244
- 2,341,691 A * 2/1944 Ciceske E04G 21/20
222/485
- 2,824,442 A * 2/1958 Ames E04F 21/06
401/171
- 3,299,575 A * 1/1967 Du Shane E05D 15/0669
16/97
- 3,709,271 A * 1/1973 Flory B27M 1/006
144/361
- 4,600,466 A * 7/1986 Herrmann B44C 1/14
156/391
- 5,670,182 A * 9/1997 Mower E04F 21/06
401/48

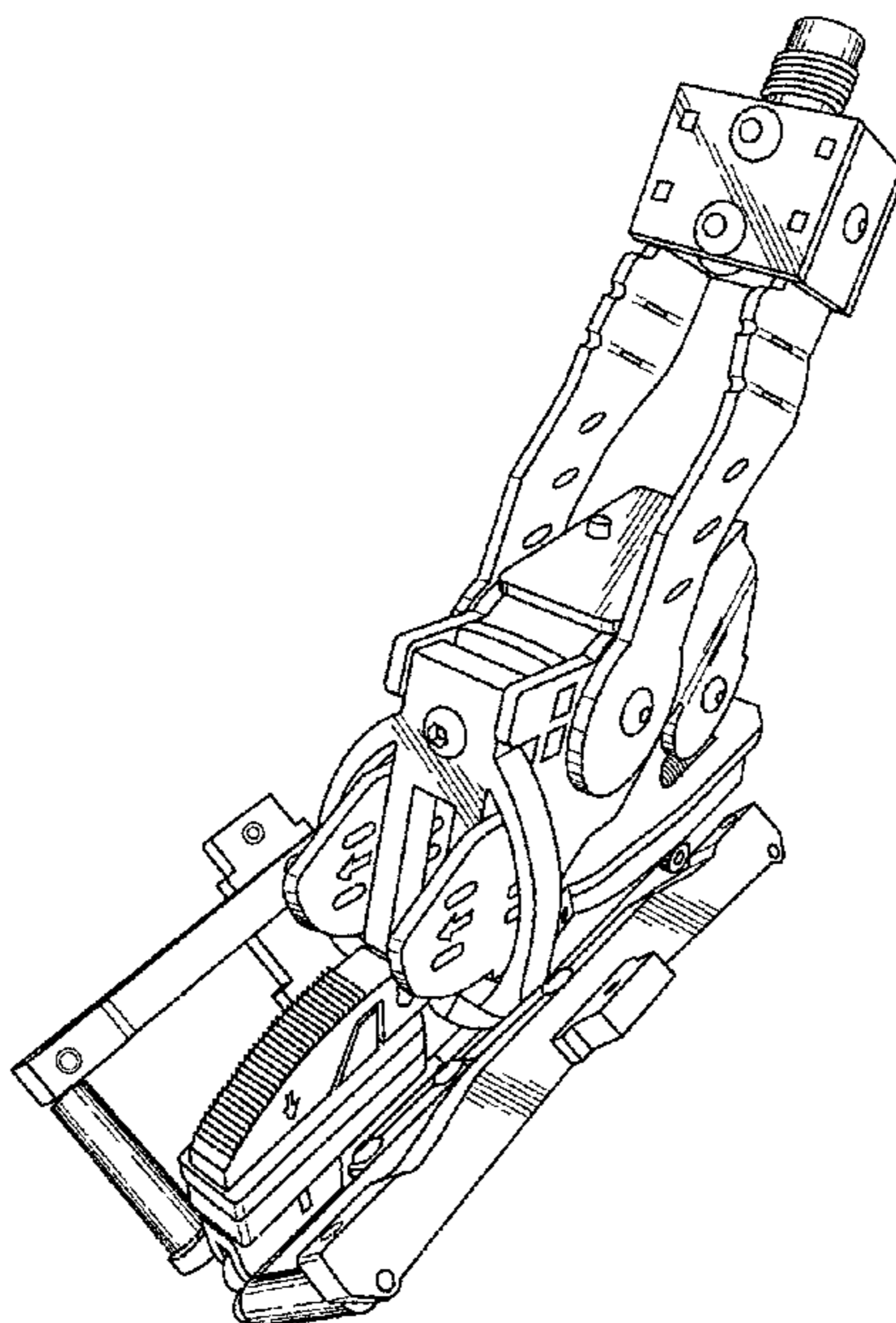
(57) **CLAIM**

The ornamental design for a selective size, automatic pole roller, with detachable lower, as shown.

DESCRIPTION

- FIG. (1/8)—left side oblique perspective view
- FIG. (2/8)—right side oblique perspective view
- FIG. (3/8)—front perspective view
- FIG. (4/8)—back perspective view
- FIG. (5/8)—top plan view
- FIG. (6/8)—bottom plan view
- FIG. (7/8)—left side view; and,
- FIG. (8/8)—right side view.

1 Claim, 8 Drawing Sheets



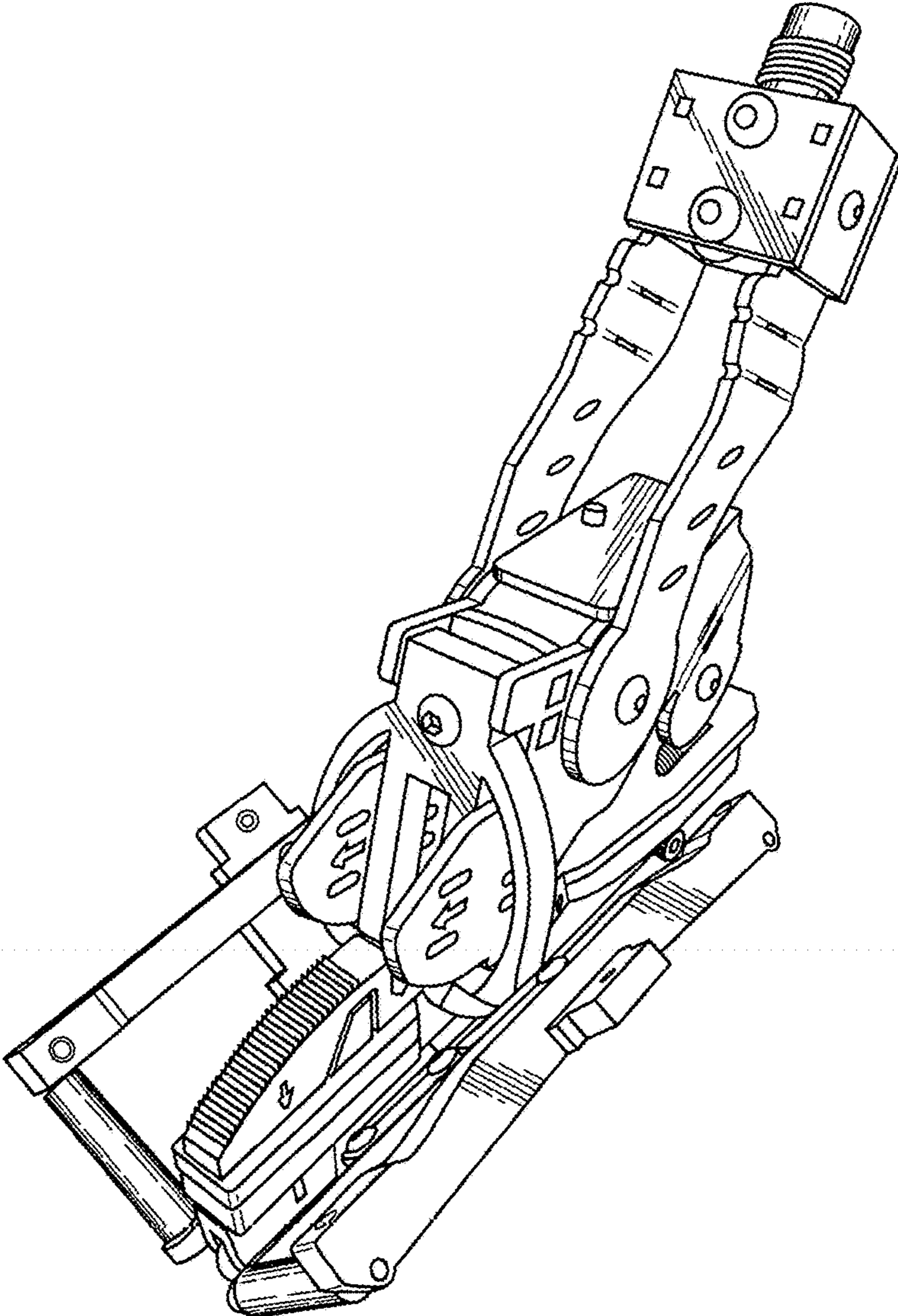


Fig. 1

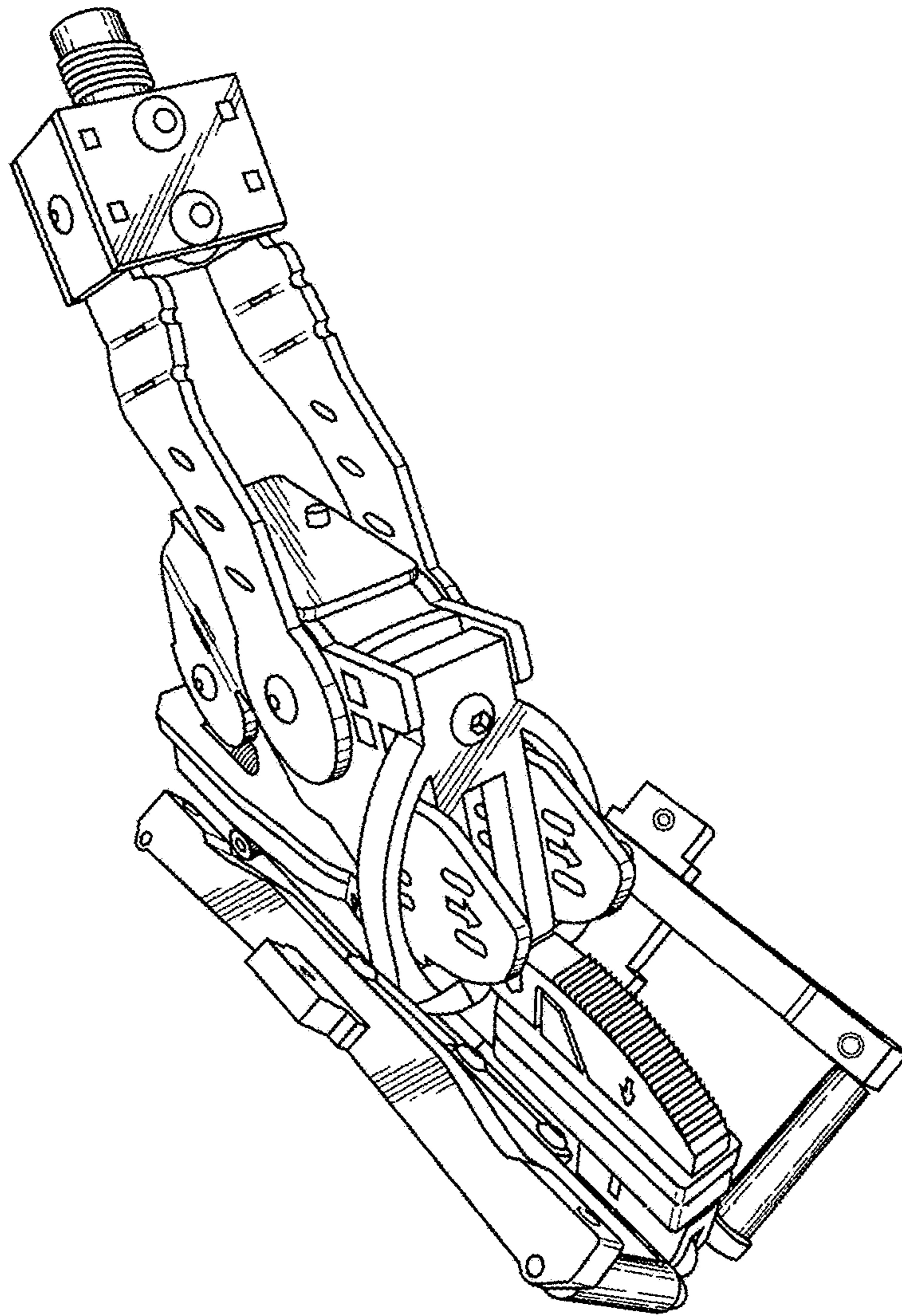


Fig. 2

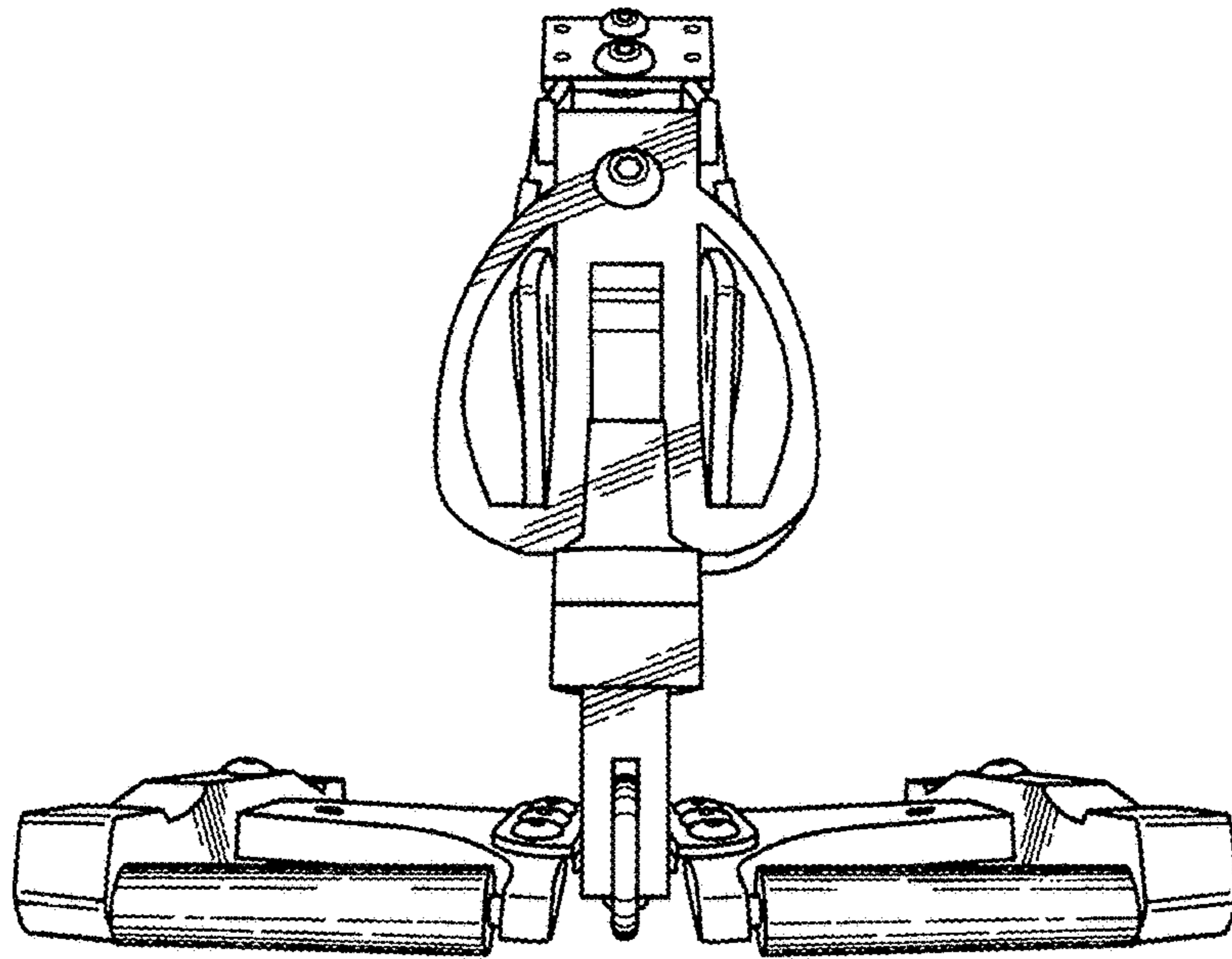


Fig. 3

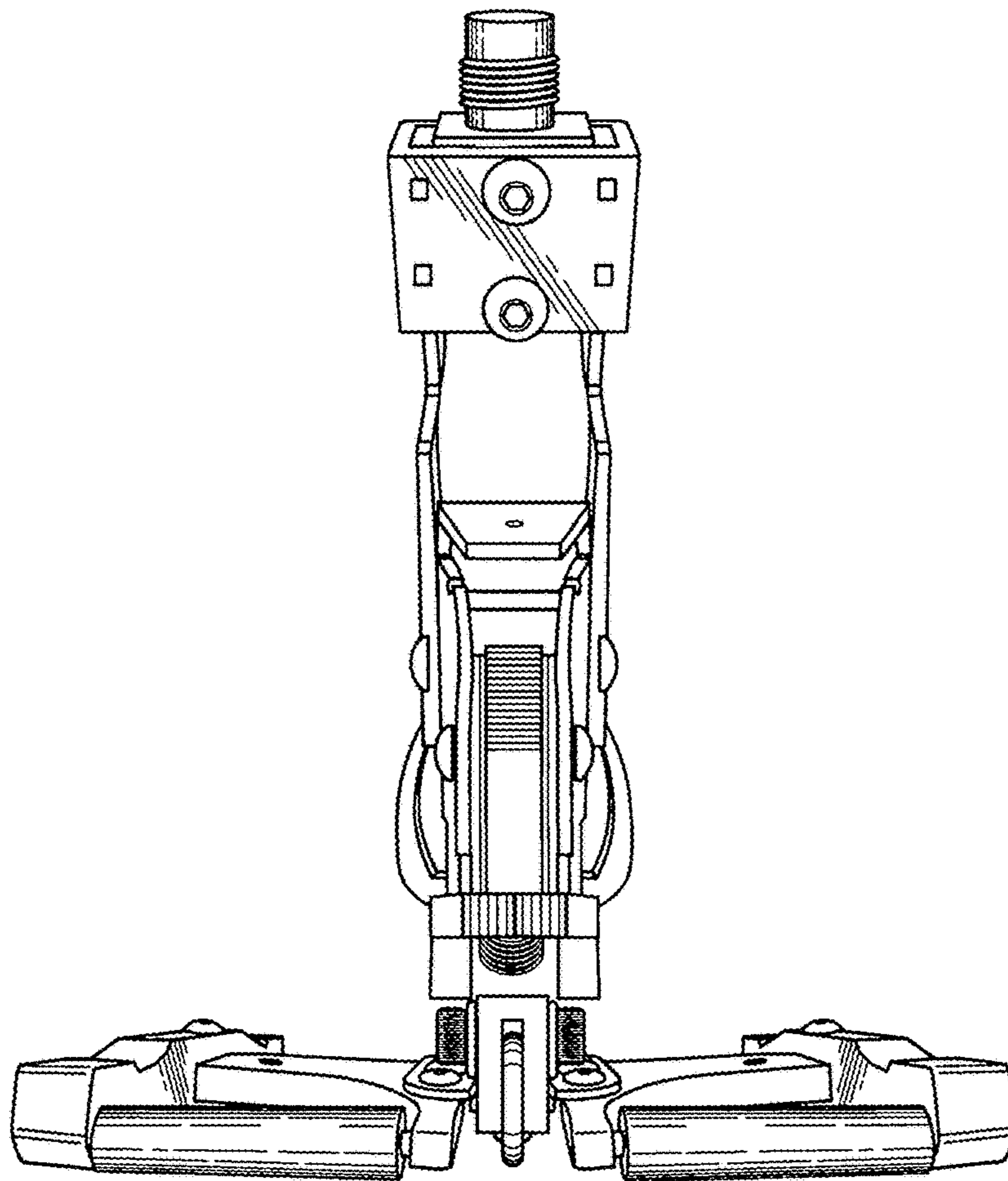


Fig. 4

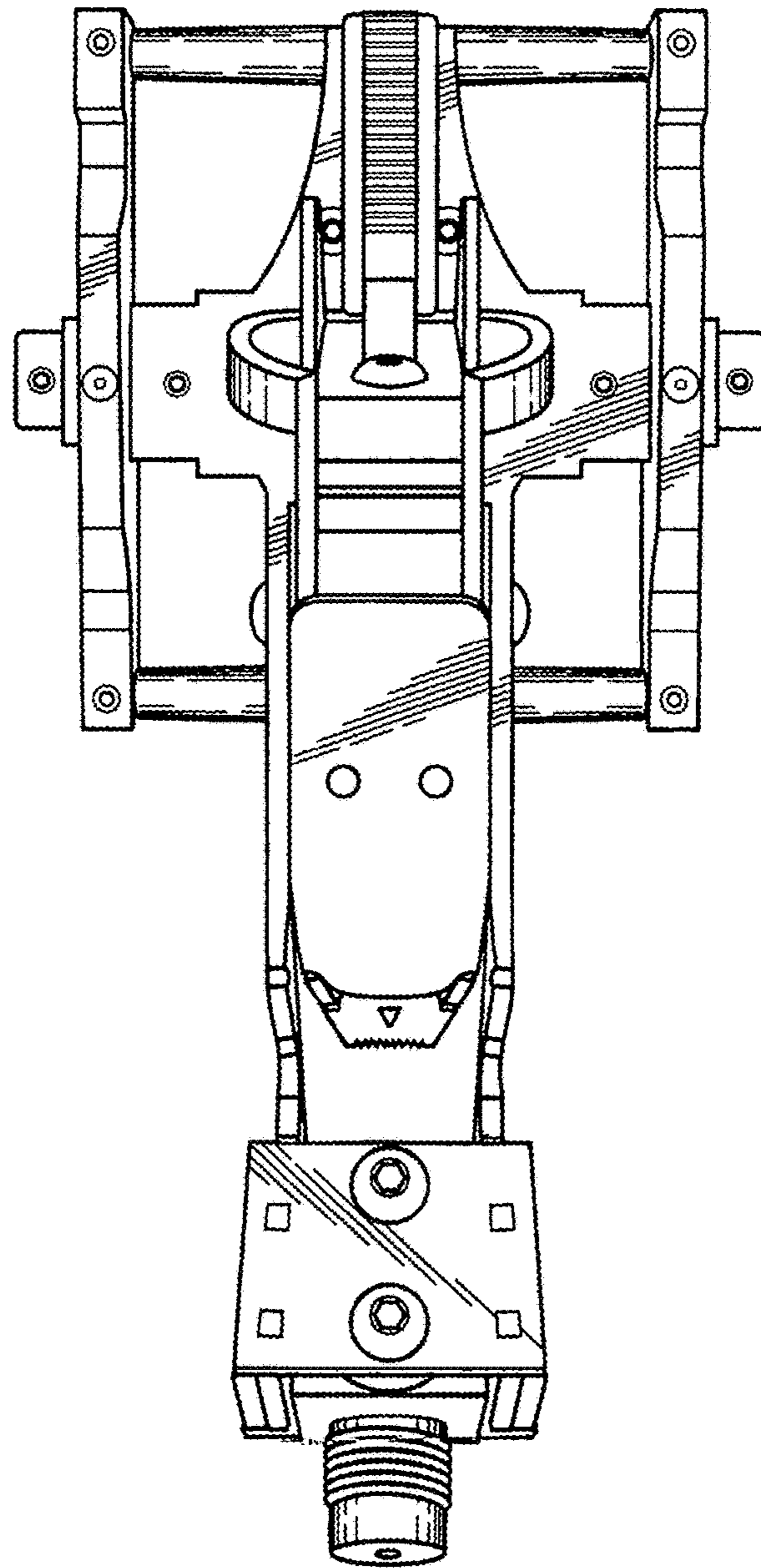


Fig. 5

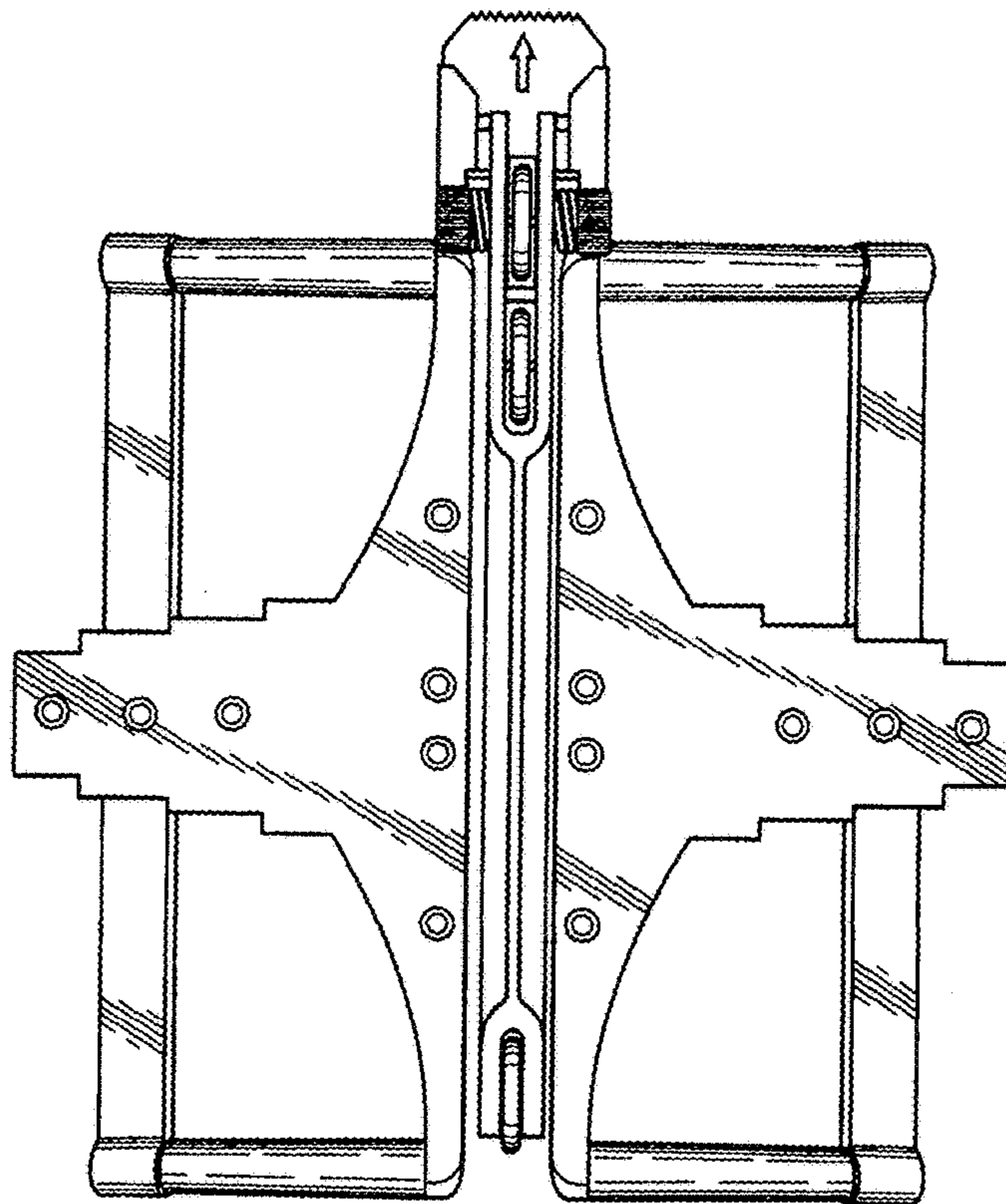


Fig. 6

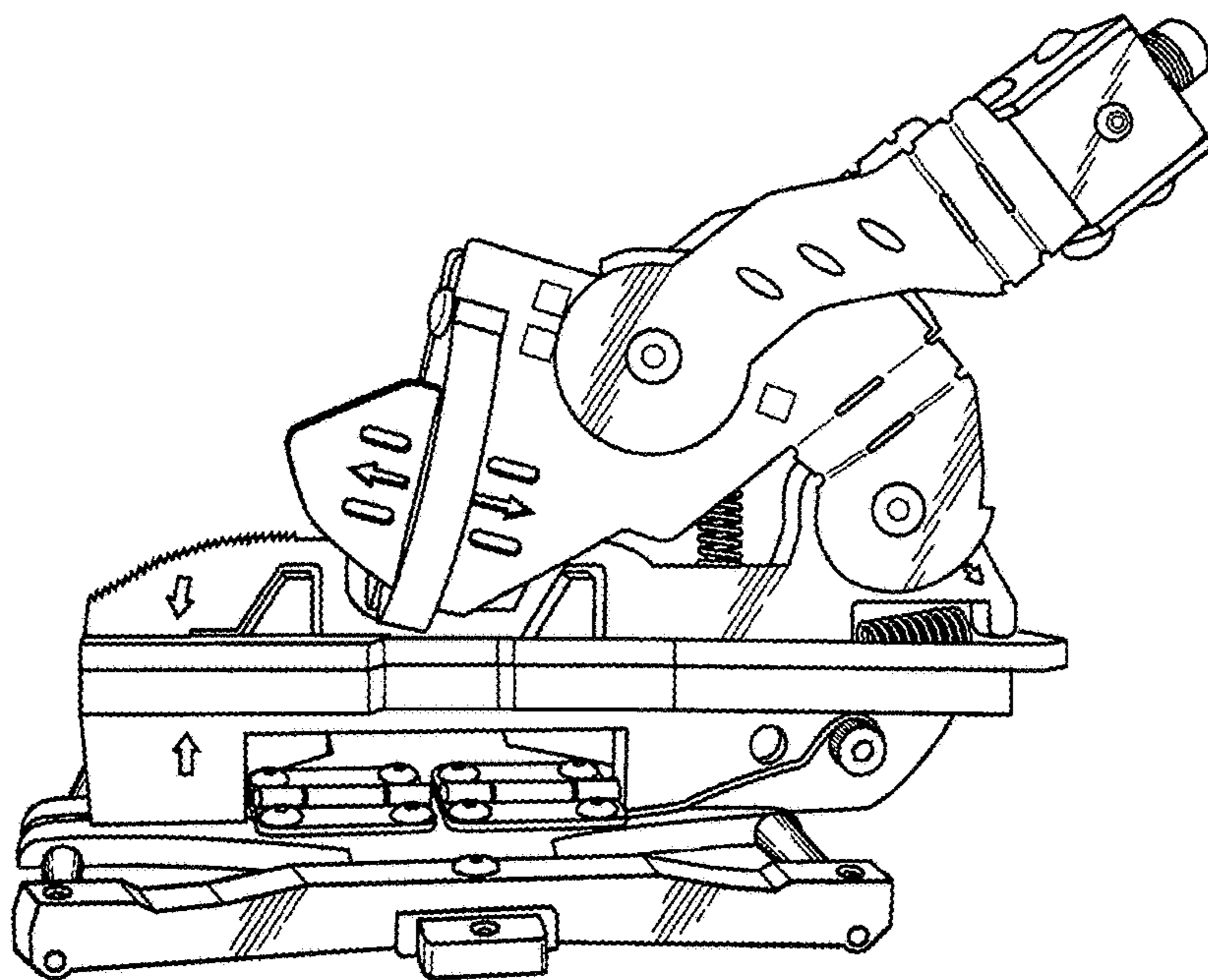


Fig. 7

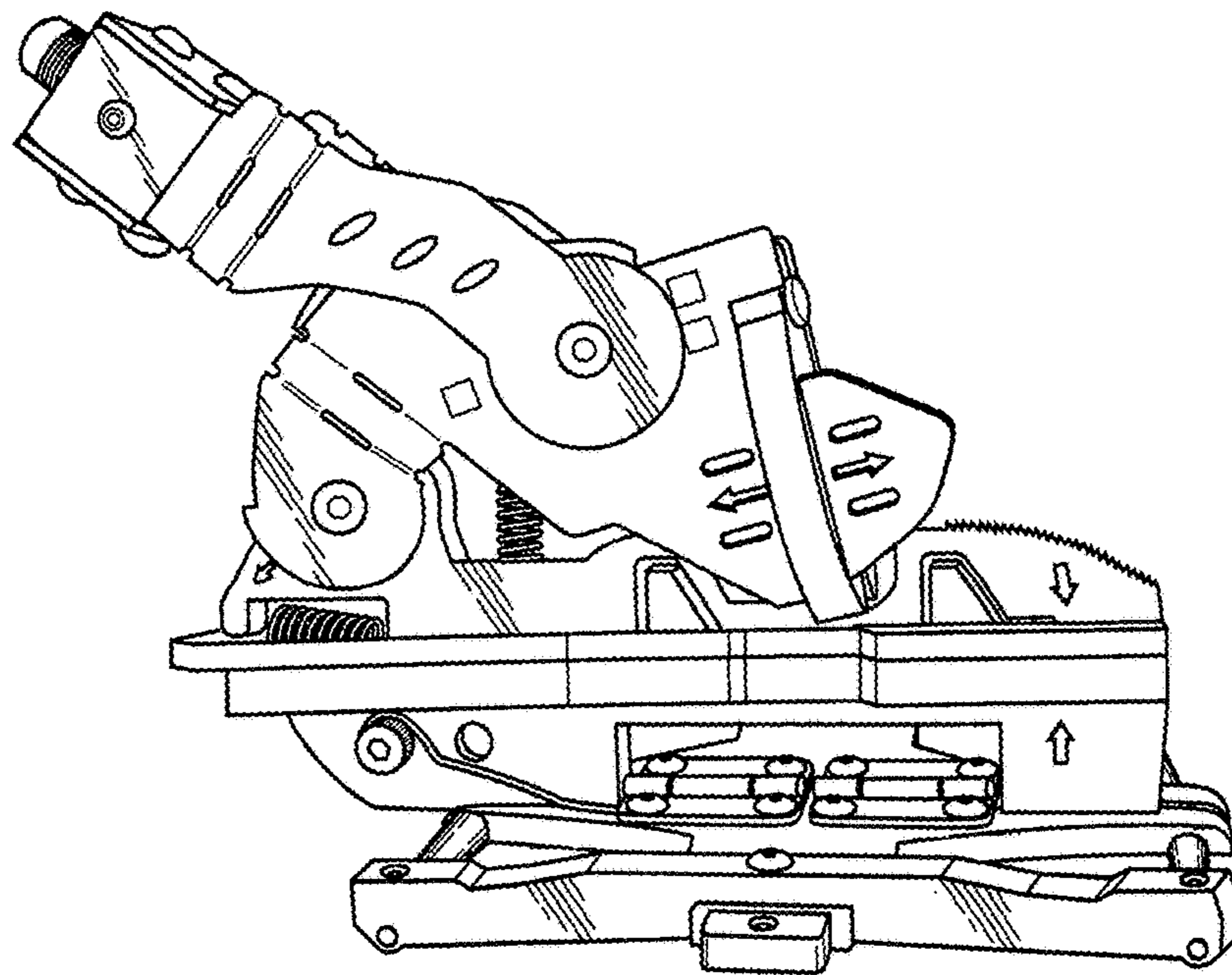


Fig. 8