

US00D862548S

(12) **United States Design Patent**
Bennett

(10) **Patent No.:** **US D862,548 S**
(45) **Date of Patent:** **** Oct. 8, 2019**

- (54) **PORTABLE BRAKING SYSTEM**
- (71) Applicant: **HOPKINS MANUFACTURING CORPORATION**, Emporia, KS (US)
- (72) Inventor: **Kyle Bennett**, Emporia, KS (US)
- (73) Assignee: **Hopkins Manufacturing Corporation**, Emporia, KS (US)
- (**) Term: **15 Years**
- (21) Appl. No.: **29/603,828**
- (22) Filed: **May 12, 2017**
- (51) **LOC (12) Cl.** **15-09**
- (52) **U.S. Cl.**
USPC **D15/149**; D12/180
- (58) **Field of Classification Search**
USPC D12/179, 180; D15/138, 149, 199
CPC B60T 7/12; B60T 7/16; B60T 7/20
See application file for complete search history.

- 8,887,879 B1 * 11/2014 Decker, Jr. B60T 7/20
188/112 R
- 9,399,448 B1 * 7/2016 Schuck B60T 7/20
- 10,137,870 B2 * 11/2018 Decker, Jr. B60T 7/20

* cited by examiner

Primary Examiner — Patricia A Palasik
(74) *Attorney, Agent, or Firm* — Hovey Williams LLP

(57) **CLAIM**

The ornamental design for a portable braking system, as shown and described.

DESCRIPTION

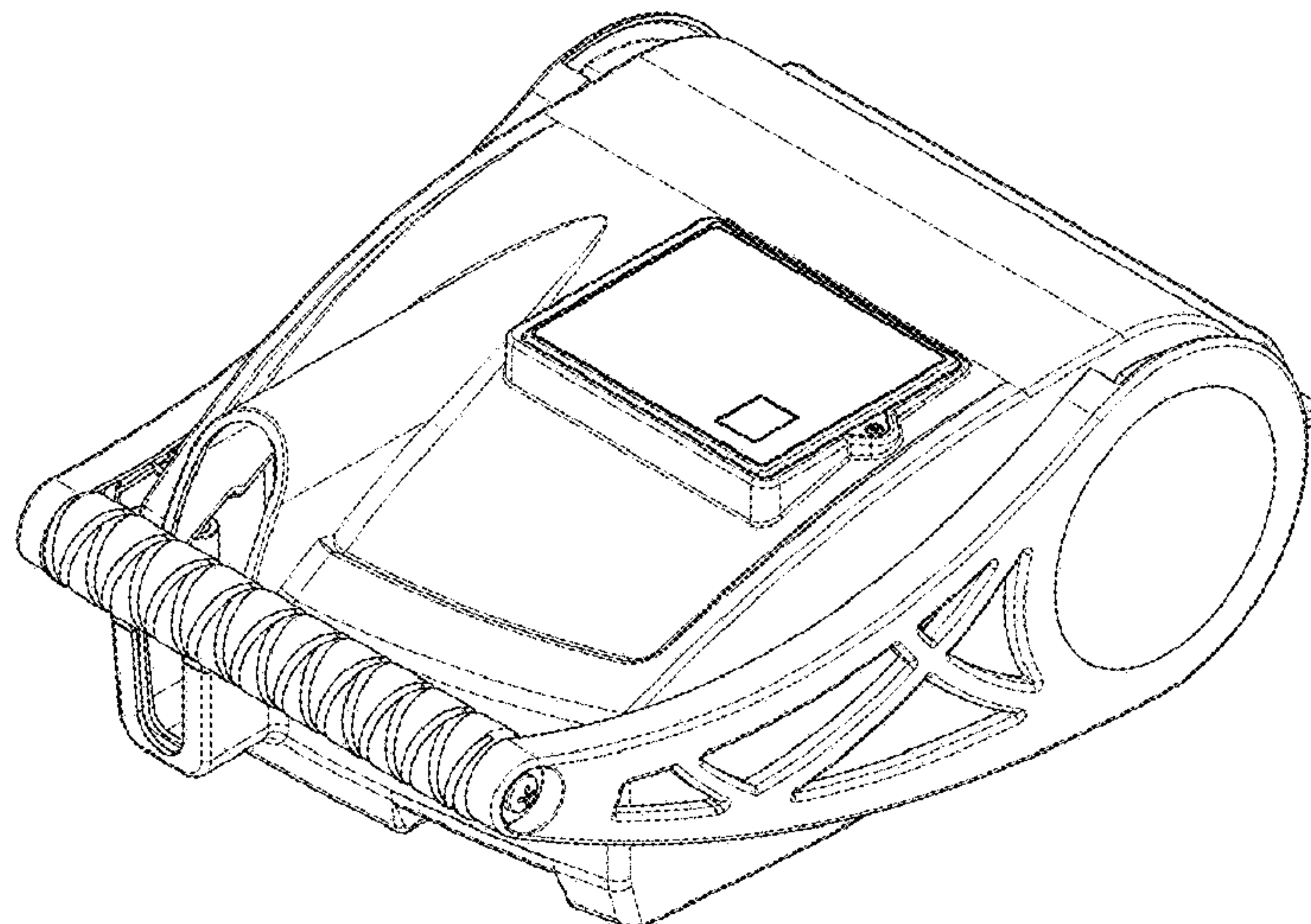
FIG. 1 is a top front perspective view of a portable braking system embodying my design;
 FIG. 2 is a bottom front perspective view of the portable braking system of FIG. 1;
 FIG. 3 is a top rear perspective view of the portable braking system of FIG. 1;
 FIG. 4 is a bottom rear perspective view of the portable braking system of FIG. 1;
 FIG. 5 is a top plan view of the portable braking system of FIG. 1;
 FIG. 6 is a front elevational view of the portable braking system of FIG. 1;
 FIG. 7 is a left side elevational view of the portable braking system of FIG. 6;
 FIG. 8 is a right side elevational view of the portable braking system of FIG. 6;
 FIG. 9 is a rear elevational view of the portable braking system of FIG. 1; and,
 FIG. 10 is a bottom plan view of the portable braking system of FIG. 1.

(56) **References Cited**

U.S. PATENT DOCUMENTS

- 6,158,823 A * 12/2000 Schuck B60T 13/46
303/12
- D490,349 S * 5/2004 Brock D12/180
- D498,190 S * 11/2004 Brock D12/180
- D551,139 S * 9/2007 Barnes D12/180
- D679,229 S * 4/2013 Decker, Jr. 188/73.35
- 8,430,458 B2 * 4/2013 Kaminski B60T 7/06
188/1.11 E
- 8,662,262 B1 * 3/2014 Decker, Jr. B60T 7/20
188/112 R

1 Claim, 5 Drawing Sheets



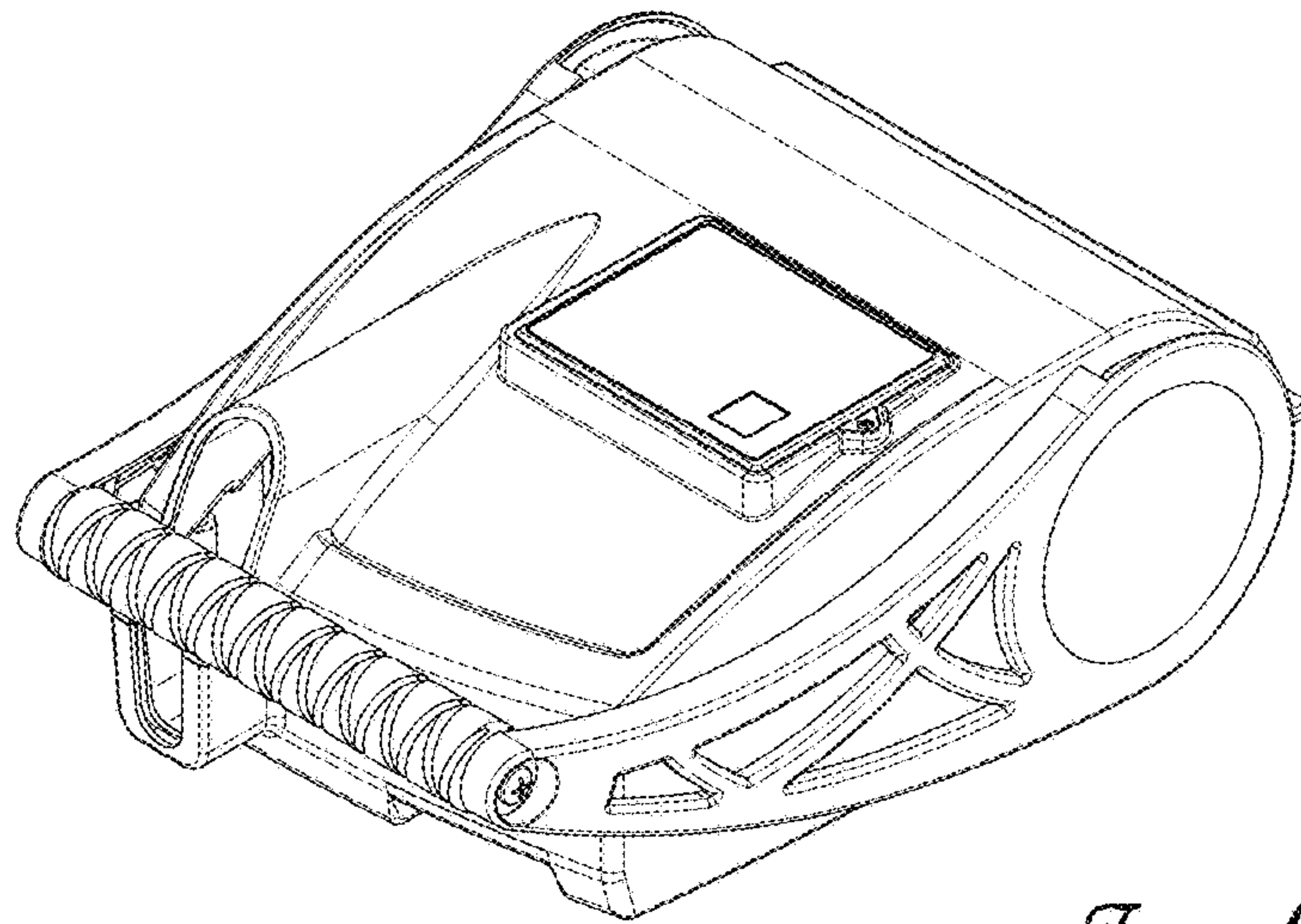


Fig. 1.

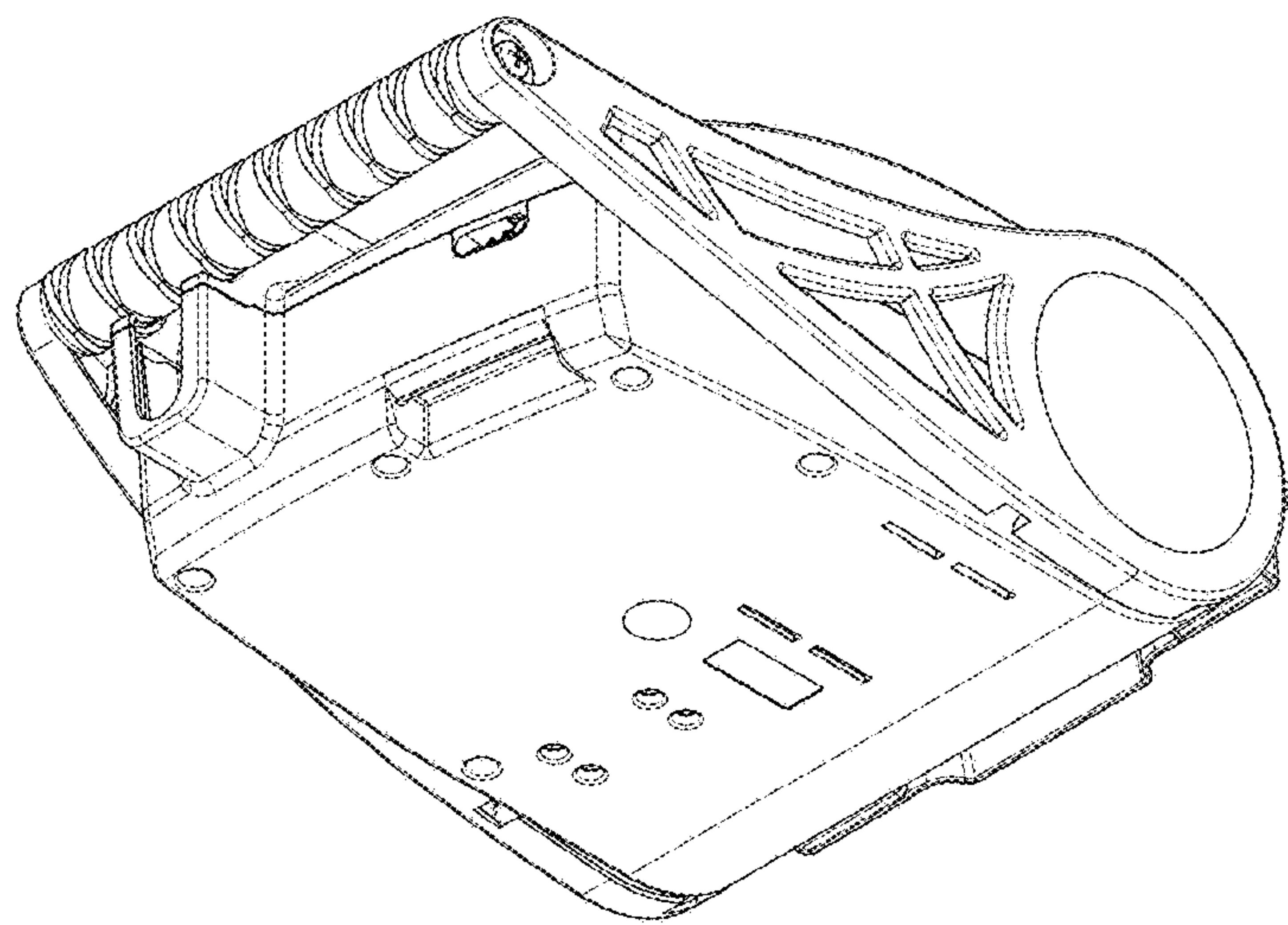


Fig. 2.

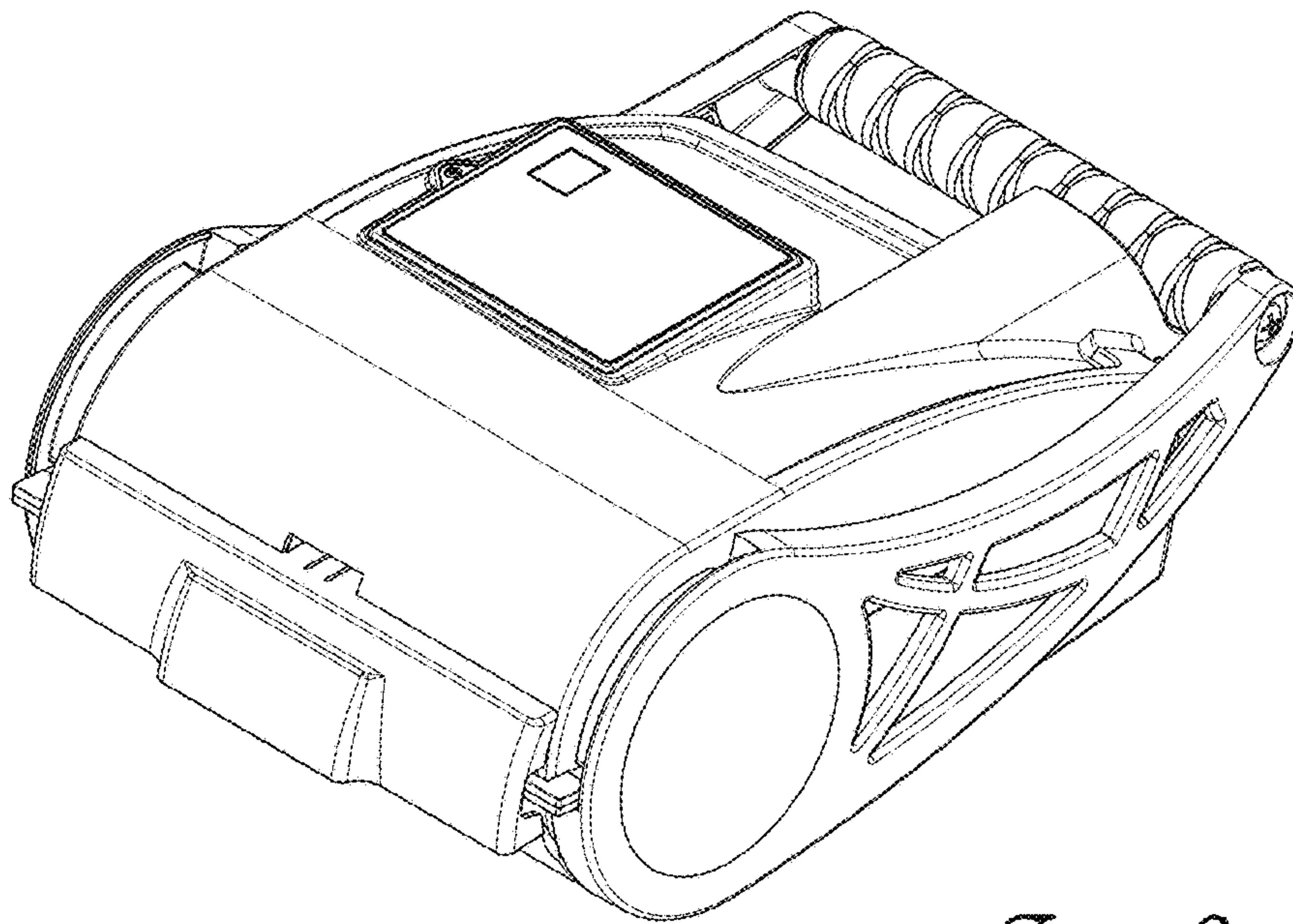


Fig. 3.

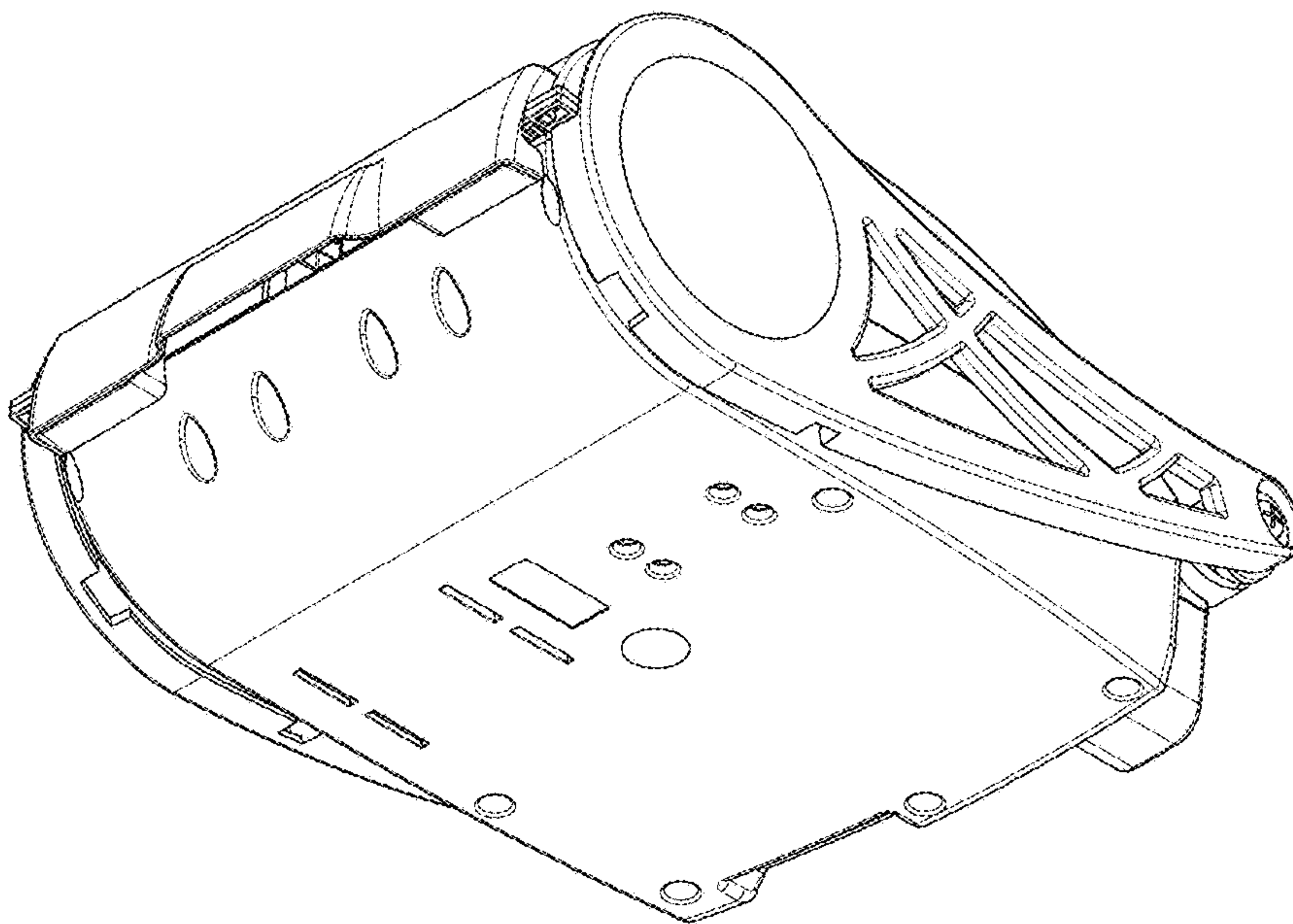


Fig. 4.

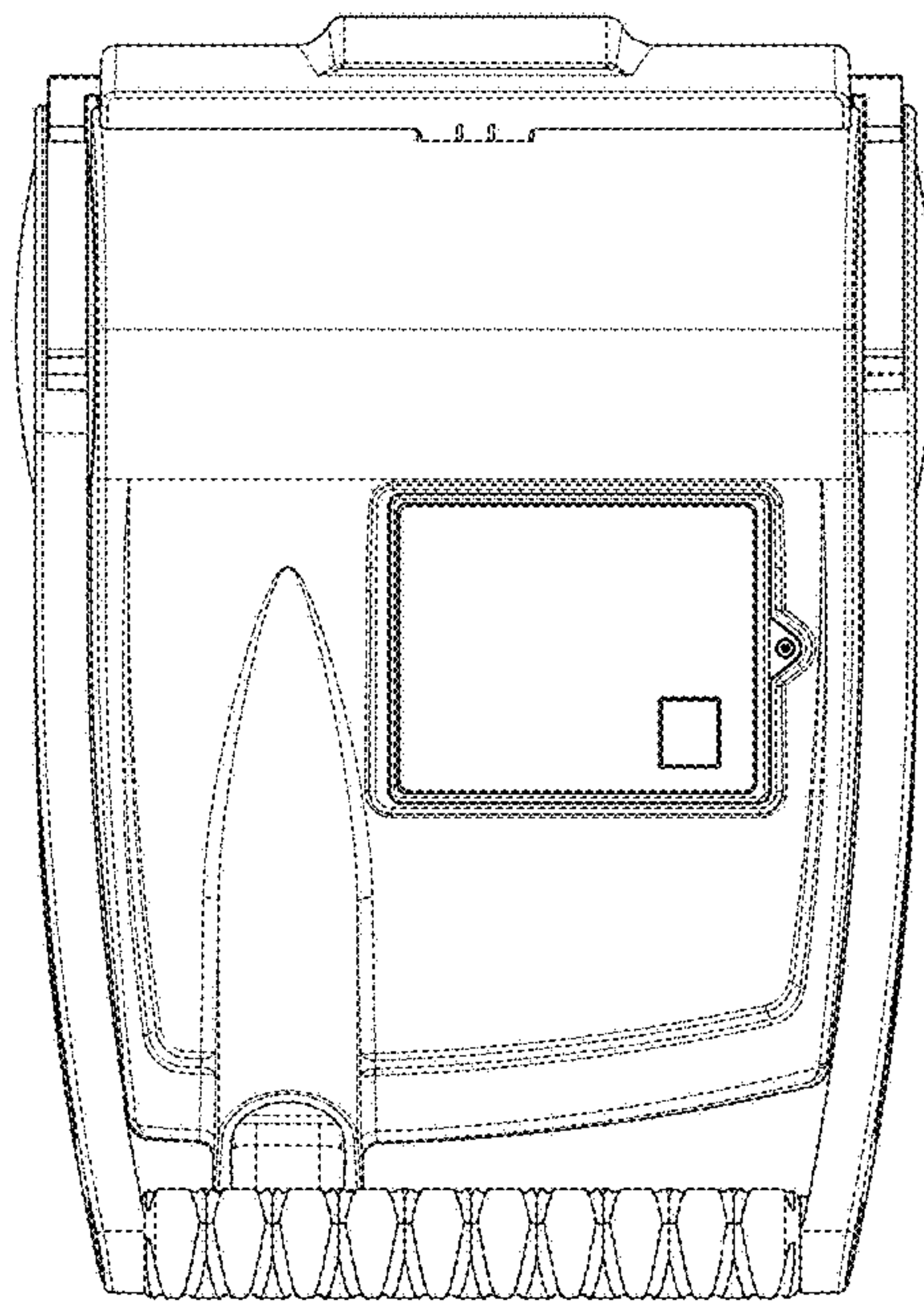


Fig. 5.

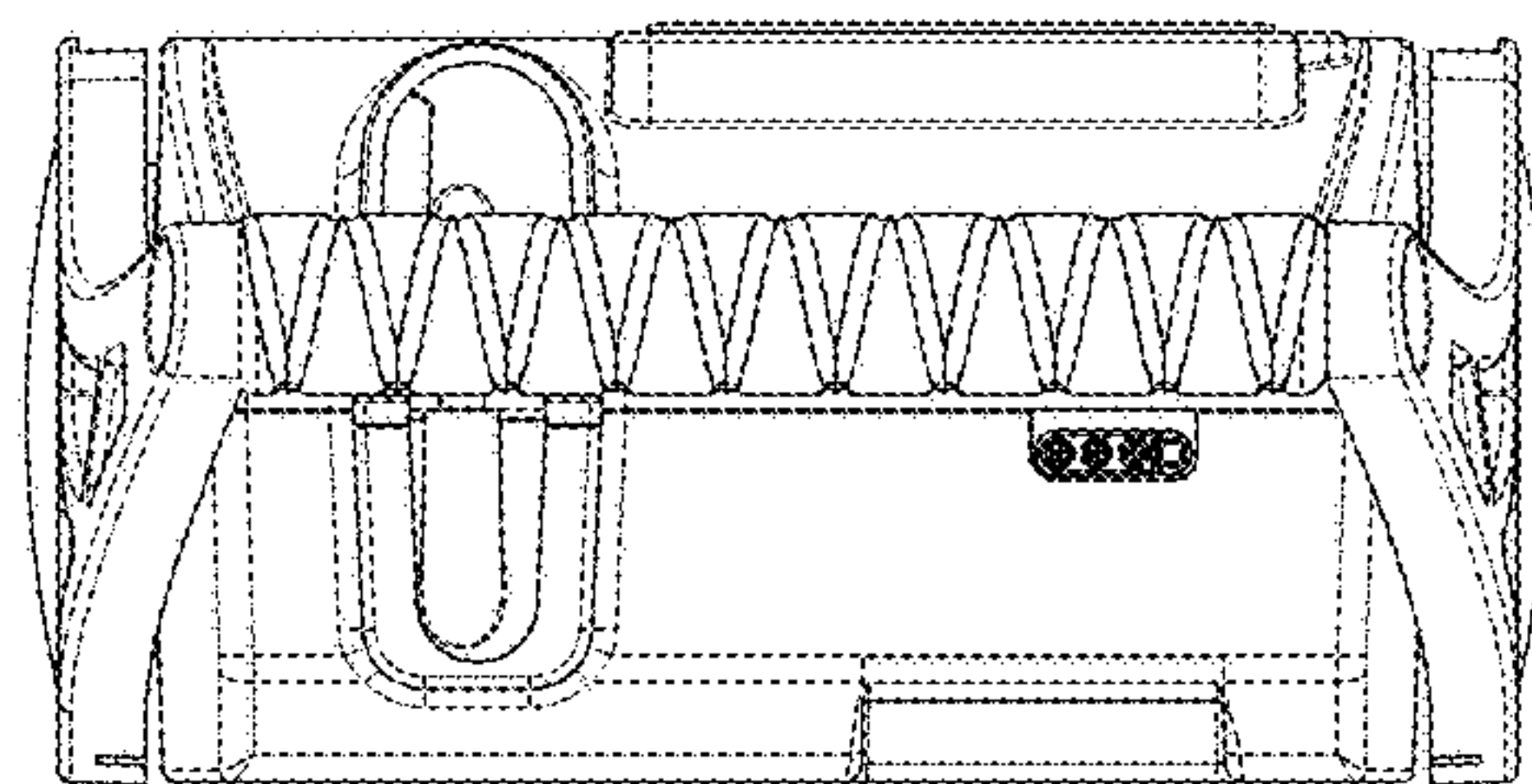


Fig. 6.

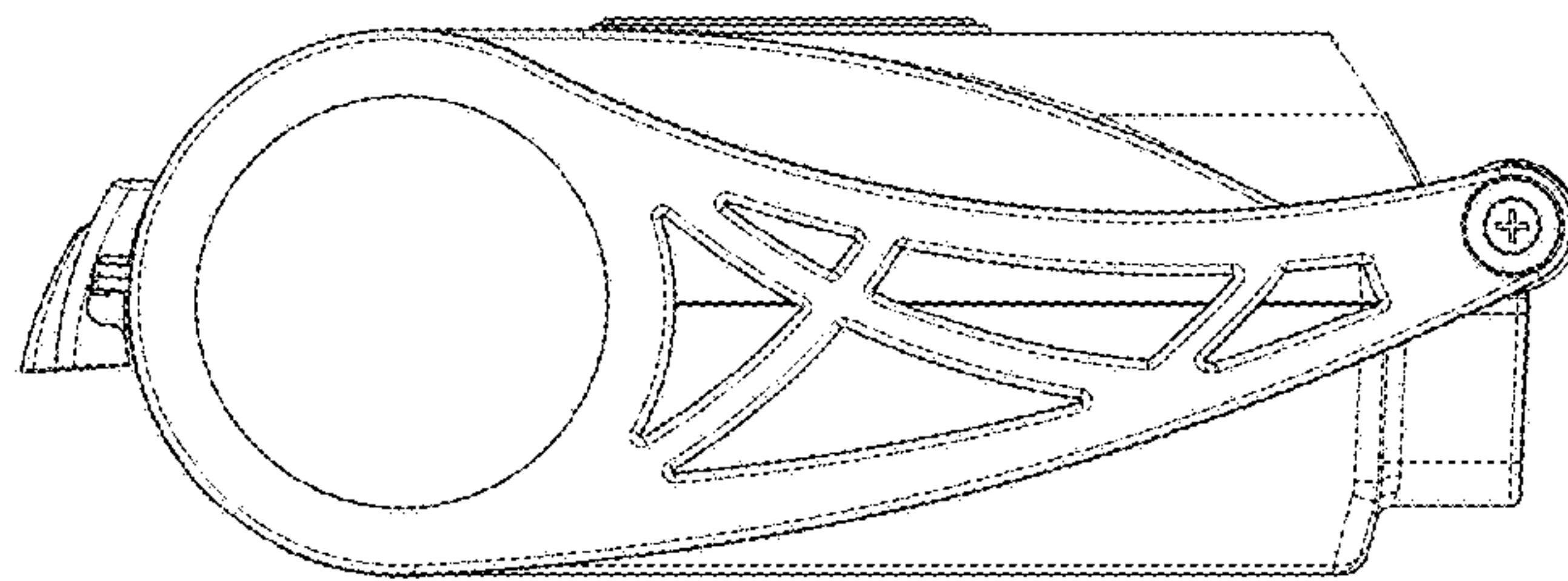


Fig. 7.

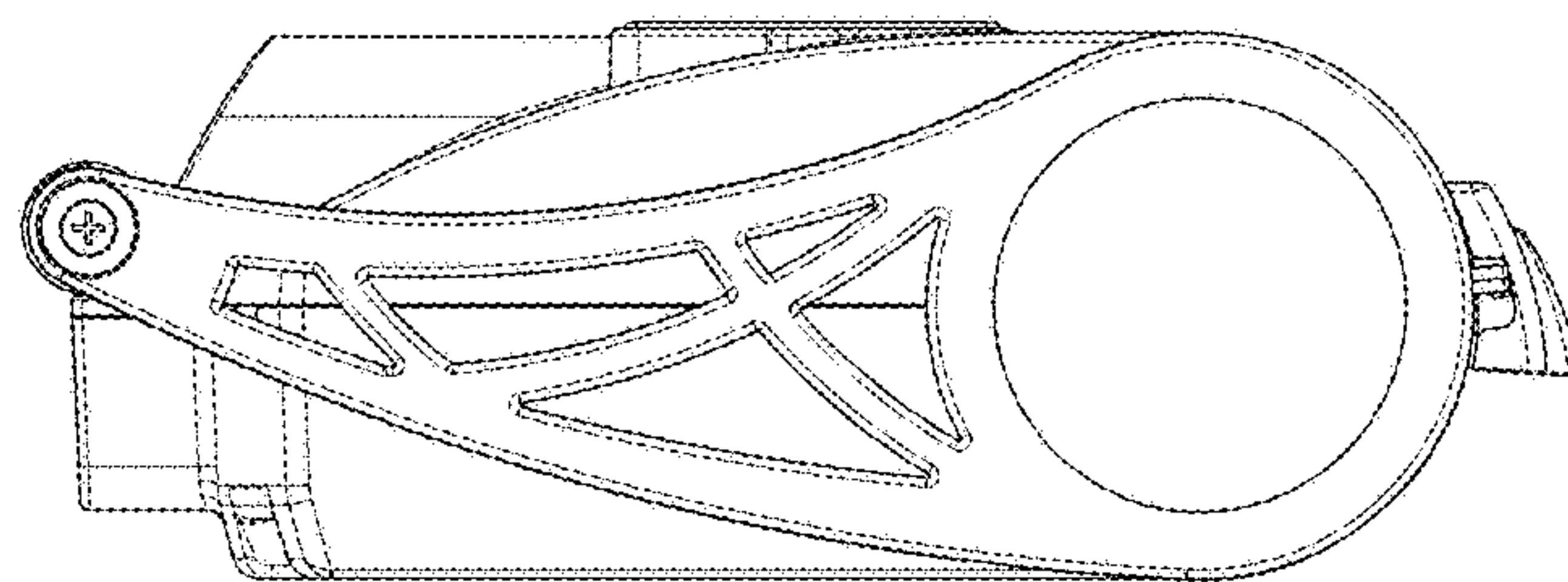


Fig. 8.

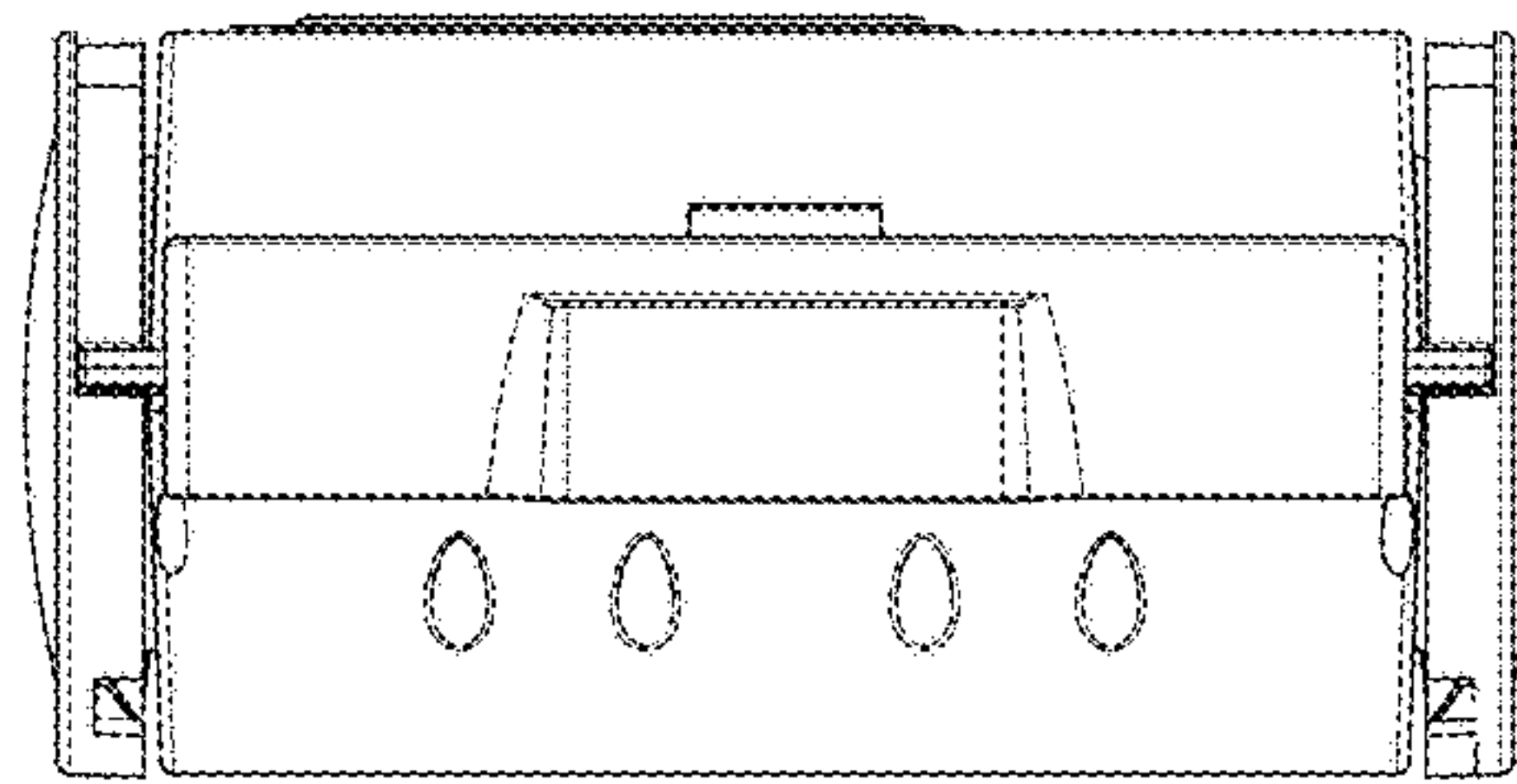


Fig. 9.

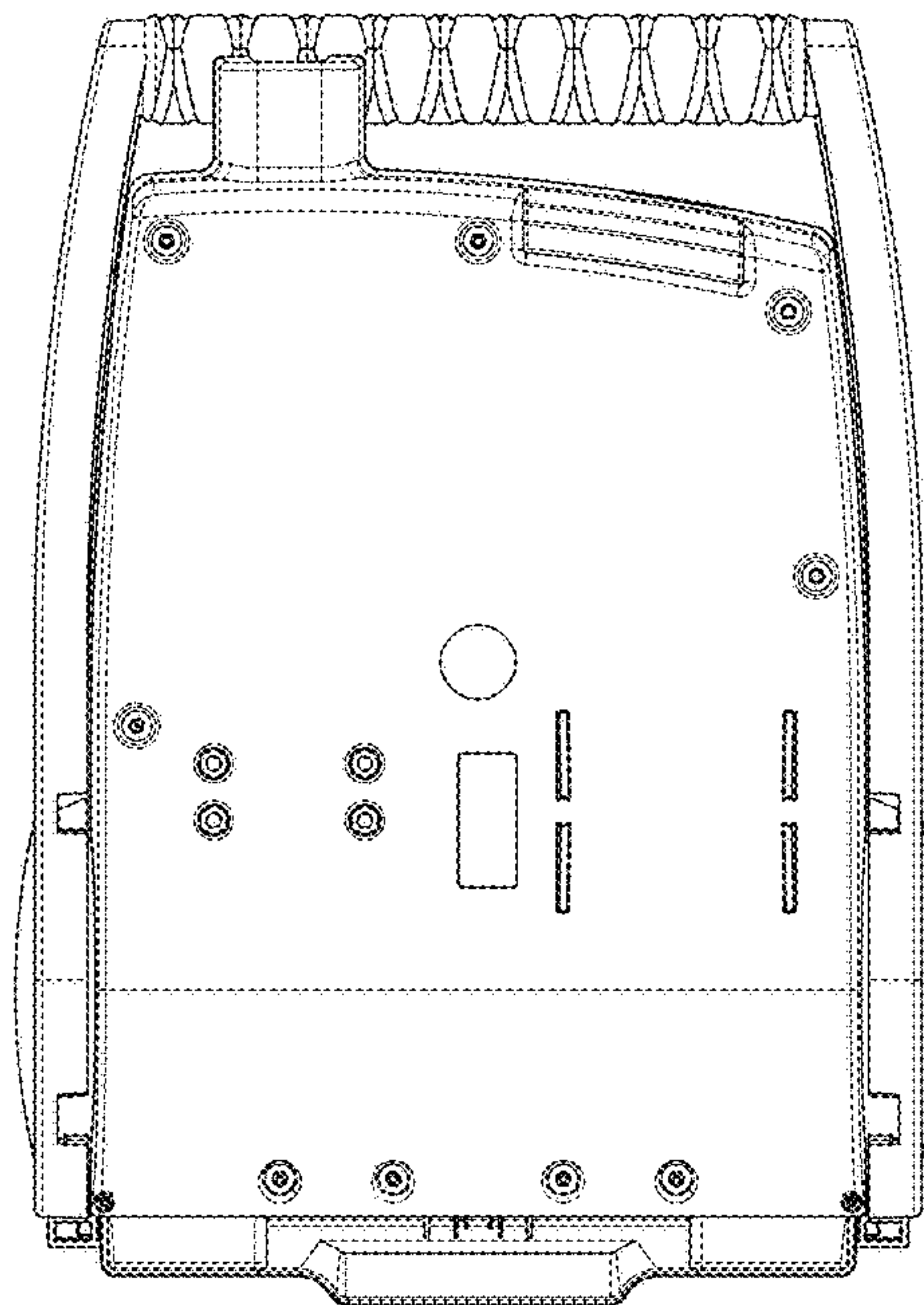


Fig. 10.