



US00D862547S

(12) **United States Design Patent** (10) **Patent No.:** **US D862,547 S**
Xie (45) **Date of Patent:** **** Oct. 8, 2019**

(54) **SOLDERING IRON**
(71) Applicant: **Chengcan Xie**, Changsha (CN)
(72) Inventor: **Chengcan Xie**, Changsha (CN)
(**) Term: **15 Years**
(21) Appl. No.: **29/697,201**
(22) Filed: **Jul. 5, 2019**
(51) **LOC (12) Cl.** **15-09**
(52) **U.S. Cl.**
USPC **D15/144.2; D8/30**
(58) **Field of Classification Search**
USPC D8/20, 70; D15/144, 144.1, 144.2;
D24/144
CPC B23K 3/021; B23K 3/022; B23K 3/023;
B23K 3/033; B23K 3/3023; B23K 3/0346
See application file for complete search history.

D847,233 S * 4/2019 Gou D15/144
D847,234 S * 4/2019 Gou D15/144
D847,235 S * 4/2019 Gou D15/144

(Continued)

OTHER PUBLICATIONS

“LDK Soldering Iron Kit Electric 60W 110V Adjustable Temperature Soldering Gun Welding Tools, 5pcs Soldering Iron Replacement Tips, Soldering Stand and Rosin Core Solder Wire Tube”, Retrieved Jul. 5, 2019]. Retrieved from Internet, <https://www.amazon.com/LDK-Soldering-Adjustable-Temperature-Replacement/dp/B07G5BT4ZD/>.

(Continued)

Primary Examiner — Patricia A Palasik

(57) **CLAIM**

The ornamental design for a soldering iron, as shown and described.

DESCRIPTION

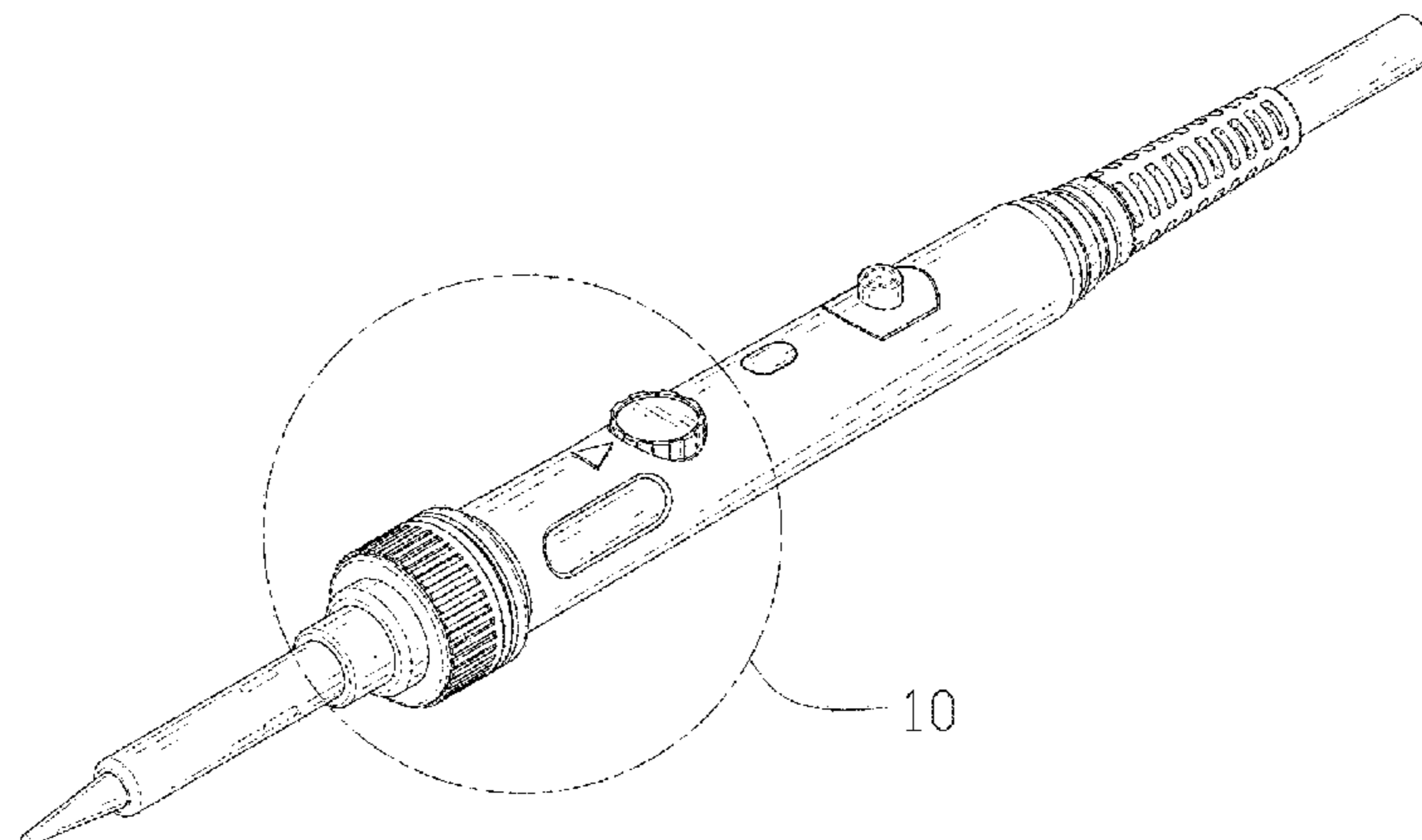
FIG. 1 is a perspective view of a soldering iron showing my new design;
FIG. 2 is another perspective view thereof;
FIG. 3 is a front elevational view thereof;
FIG. 4 is a rear elevational view thereof;
FIG. 5 is a left side elevational view thereof;
FIG. 6 is a right side elevational view thereof;
FIG. 7 is a top plan view thereof;
FIG. 8 is a bottom plan view thereof;
FIG. 9 is a perspective view of the soldering iron where for ease of illustration a button is separated from the soldering iron;
FIG. 10 is an enlarged view of portion 10 shown in FIG 1;
FIG. 11 is an enlarged view of FIG. 5; and,
FIG. 12 is an enlarged view of FIG. 6.
The broken lines in the drawings depict portions of the soldering iron that form no part of the claimed design.

(56) **References Cited**

U.S. PATENT DOCUMENTS

D243,147 S * 1/1977 Sylvester D8/30
4,688,552 A * 8/1987 Tsai B23K 3/022
126/414
D300,200 S * 3/1989 Arehart D8/30
D300,297 S * 3/1989 Arehart D8/30
D317,704 S * 6/1991 Zaborowski D8/30
D330,998 S * 11/1992 Watmore D8/30
5,803,061 A * 9/1998 Kao B23K 3/022
126/413
5,928,536 A * 7/1999 Lee B23K 3/033
219/229
D481,278 S * 10/2003 Murillo D8/30
6,874,671 B2 * 4/2005 Hirano B23K 3/022
126/414
D660,669 S * 5/2012 Teraoka D8/30
9,314,863 B2 * 4/2016 Teraoka B23K 3/033
D810,532 S * 2/2018 Tsai D8/30
D813,628 S * 3/2018 Tsai D8/30
D813,629 S * 3/2018 Tsai D8/30

1 Claim, 12 Drawing Sheets



(56)

References Cited

U.S. PATENT DOCUMENTS

D848,232 S * 5/2019 Tsai D8/30

OTHER PUBLICATIONS

“Quimat ESD Thermostatic Electric Soldering Iron Kit, Welding Iron Gun Set with Adjustable Temperature LED Digital Display, On/Off Button, Temperature Correction, Automatic Hibernation”, Retrieved Jul. 5, 2019]. Retrieved from Internet, <https://www.amazon.com/Quimat-Thermostatic-Adjustable-Temperature-Hibernation/dp/B074P225BK/>.

* cited by examiner

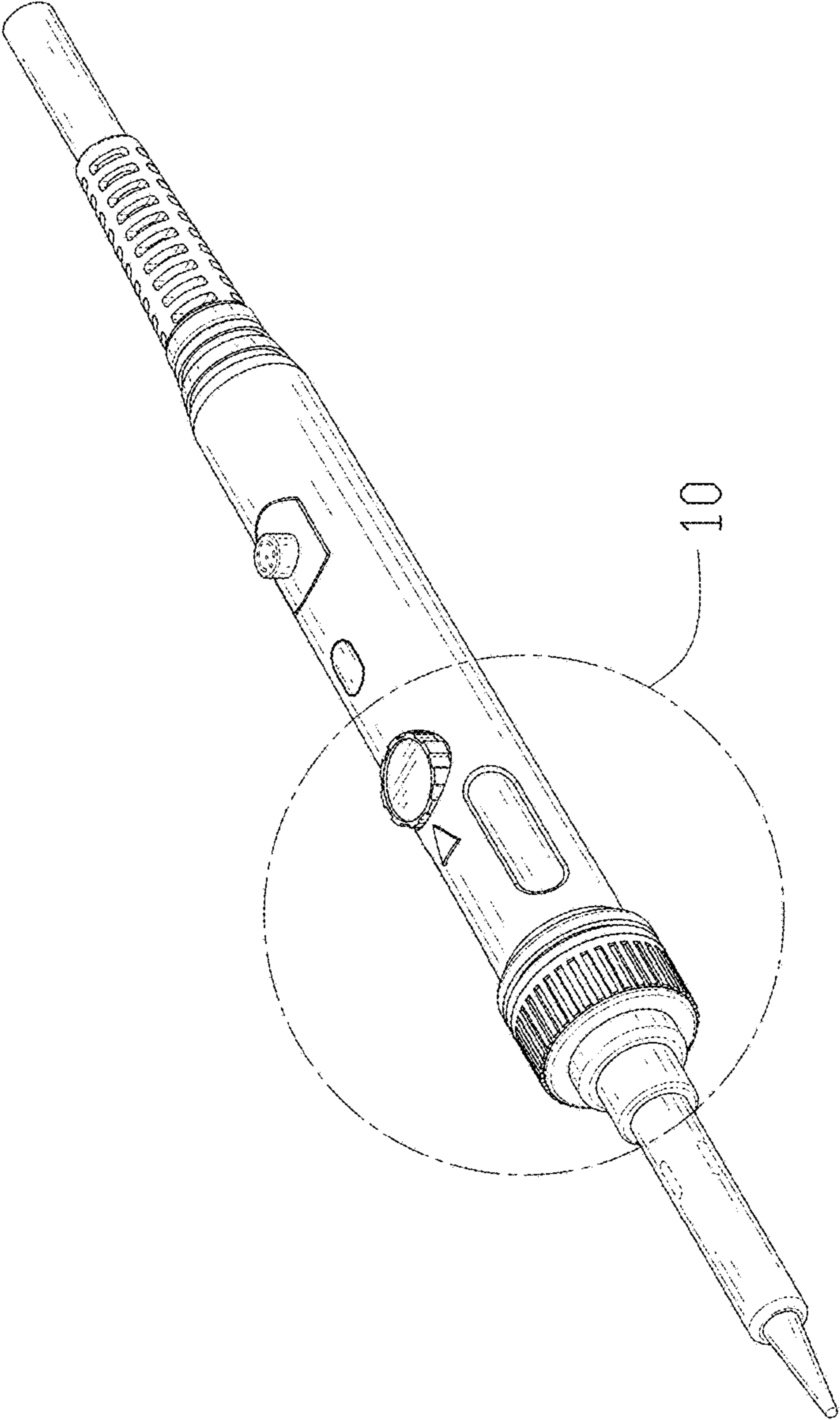


FIG. 1

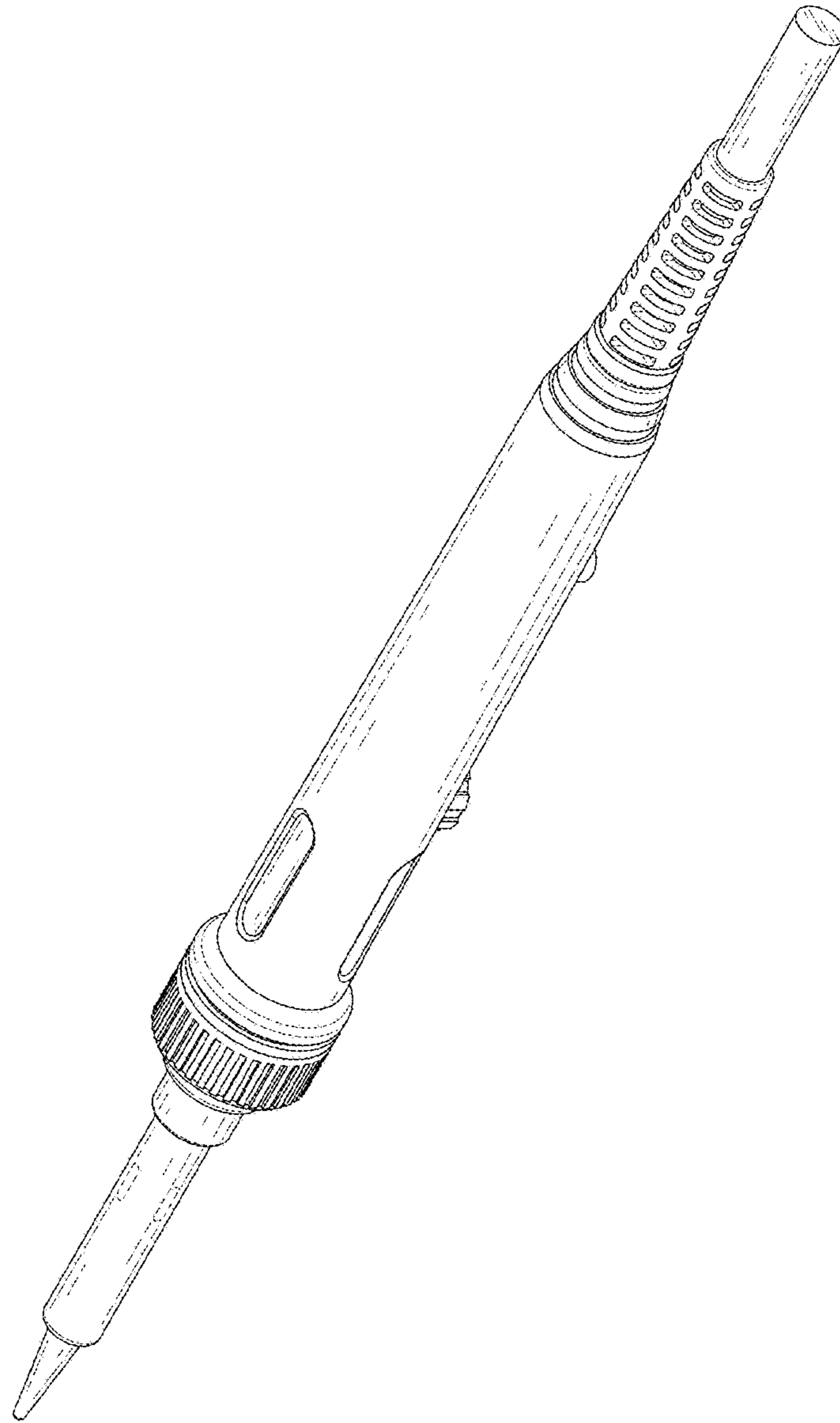


FIG. 2

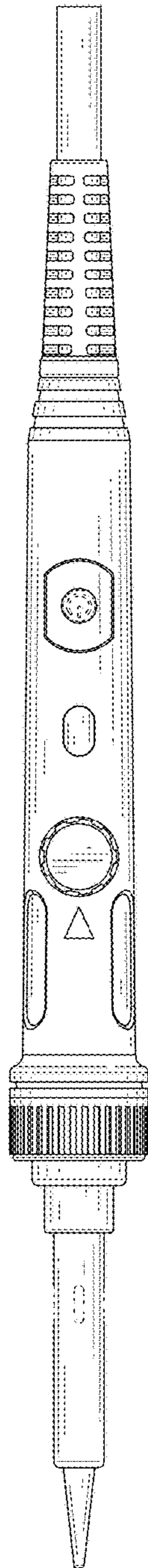


FIG. 3

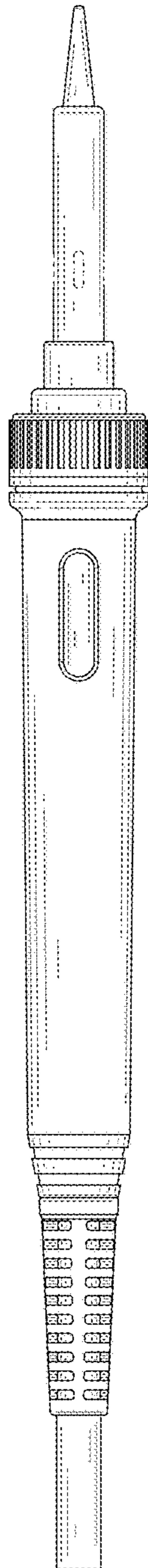


FIG. 4

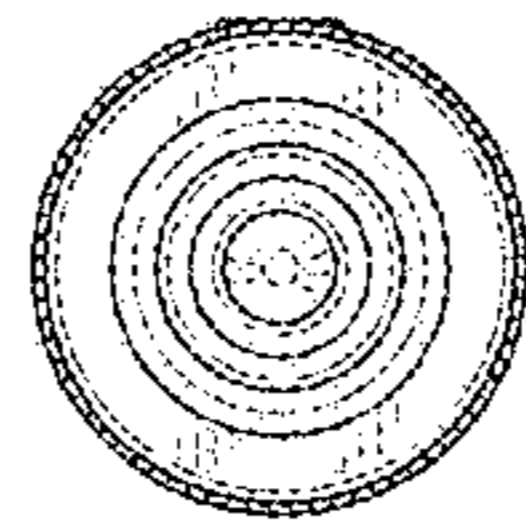


FIG. 5

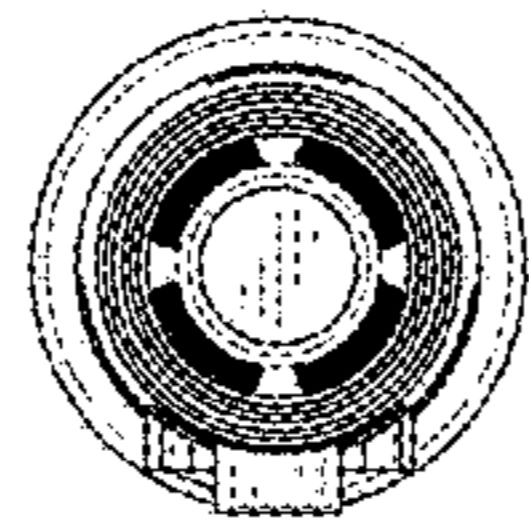


FIG. 6

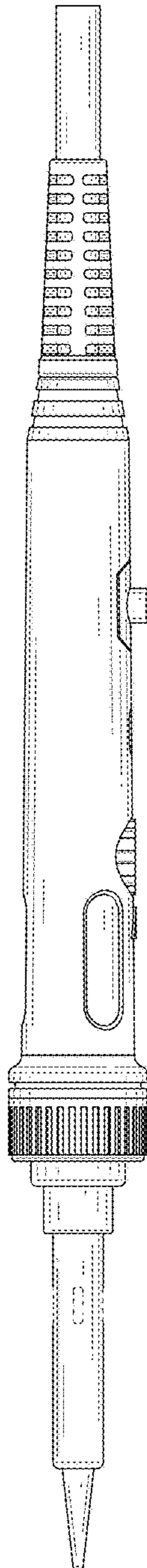


FIG. 7

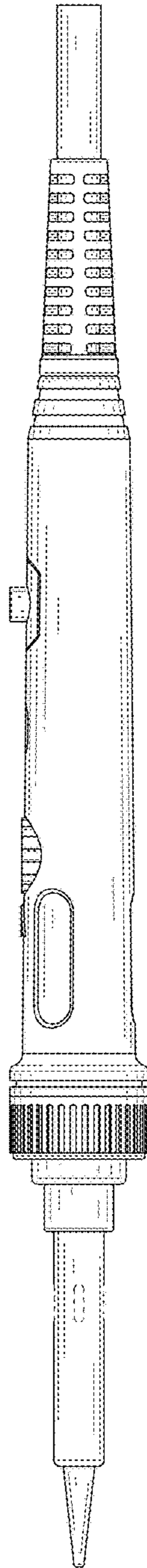


FIG. 8

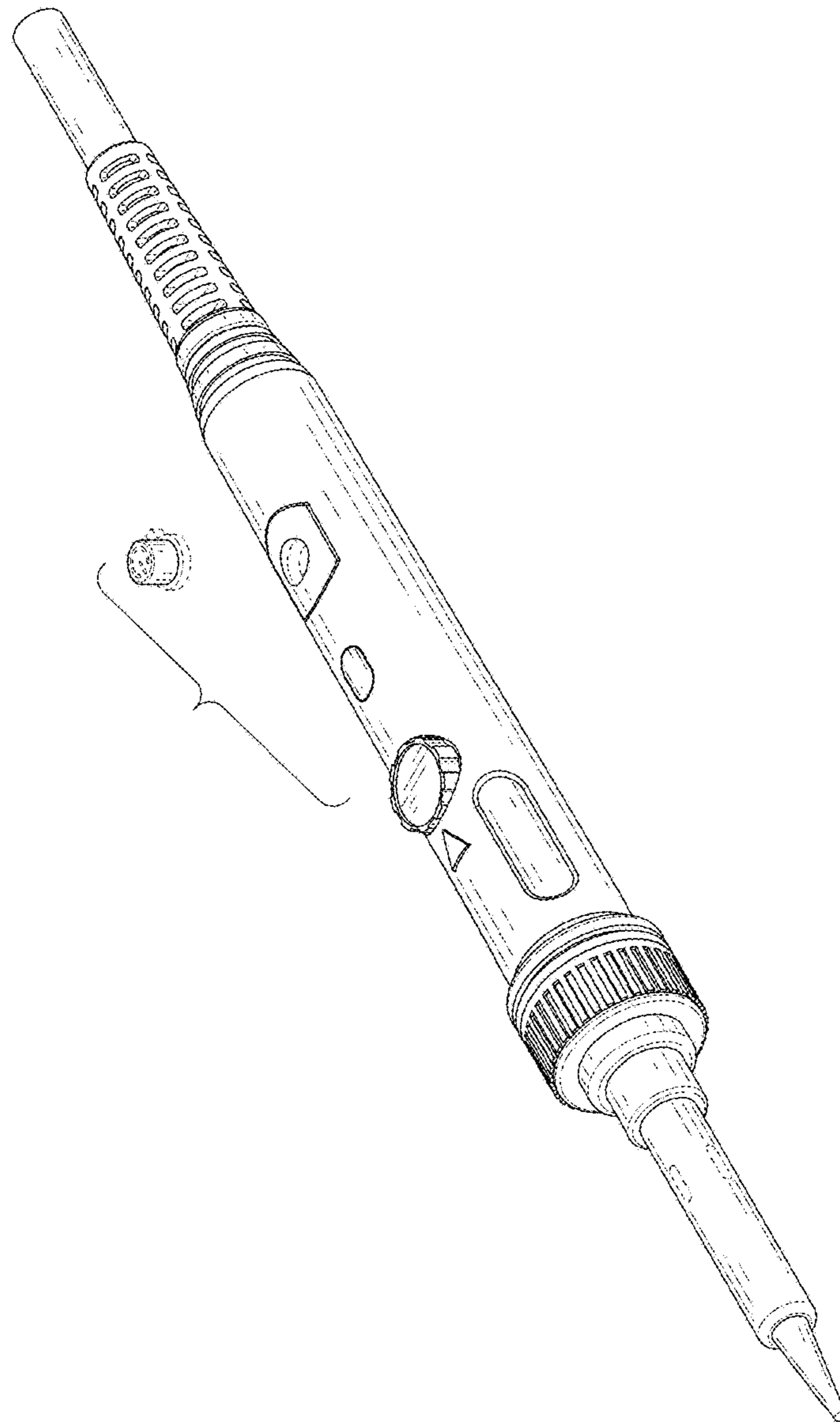


FIG. 9

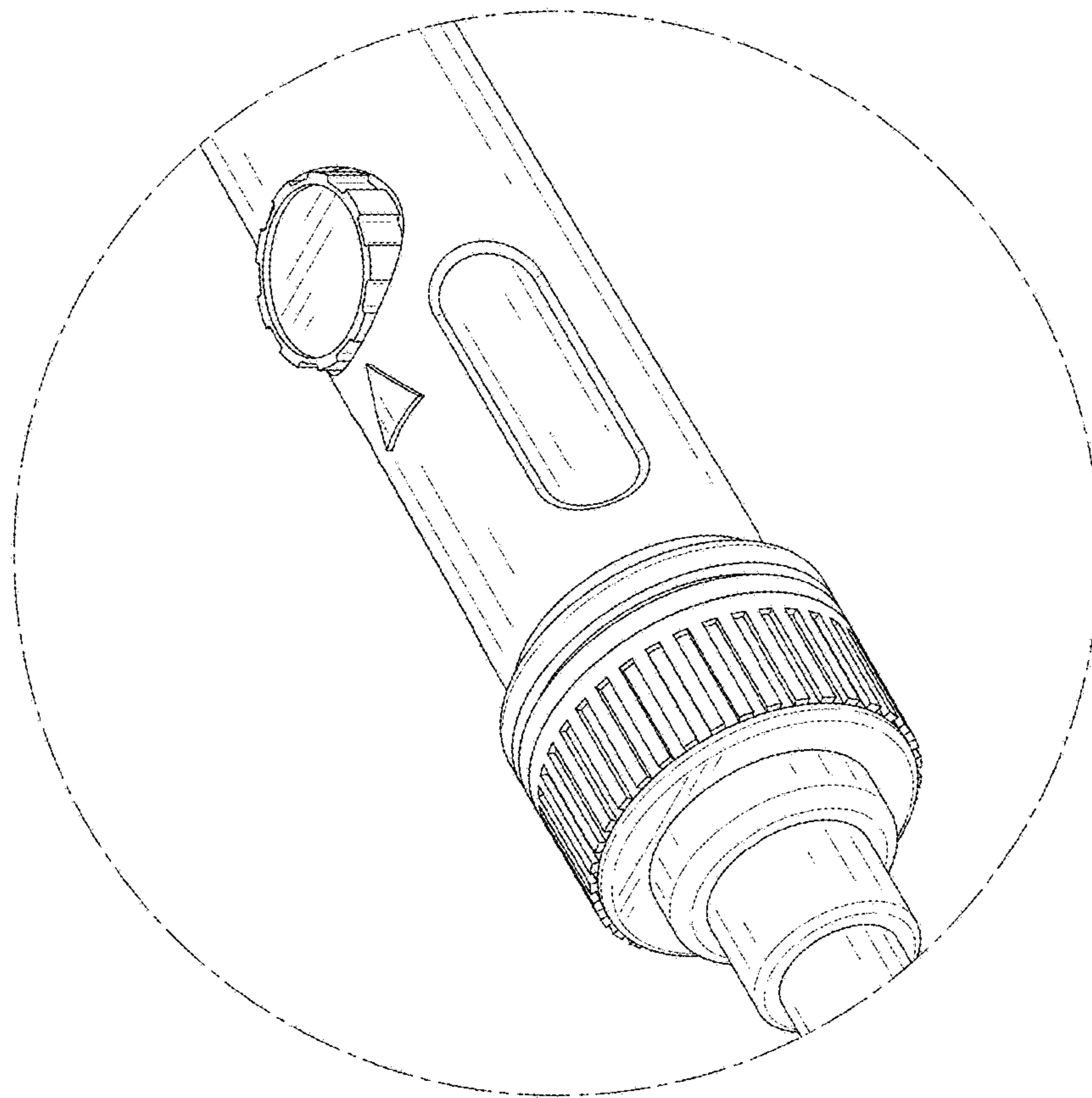


FIG. 10

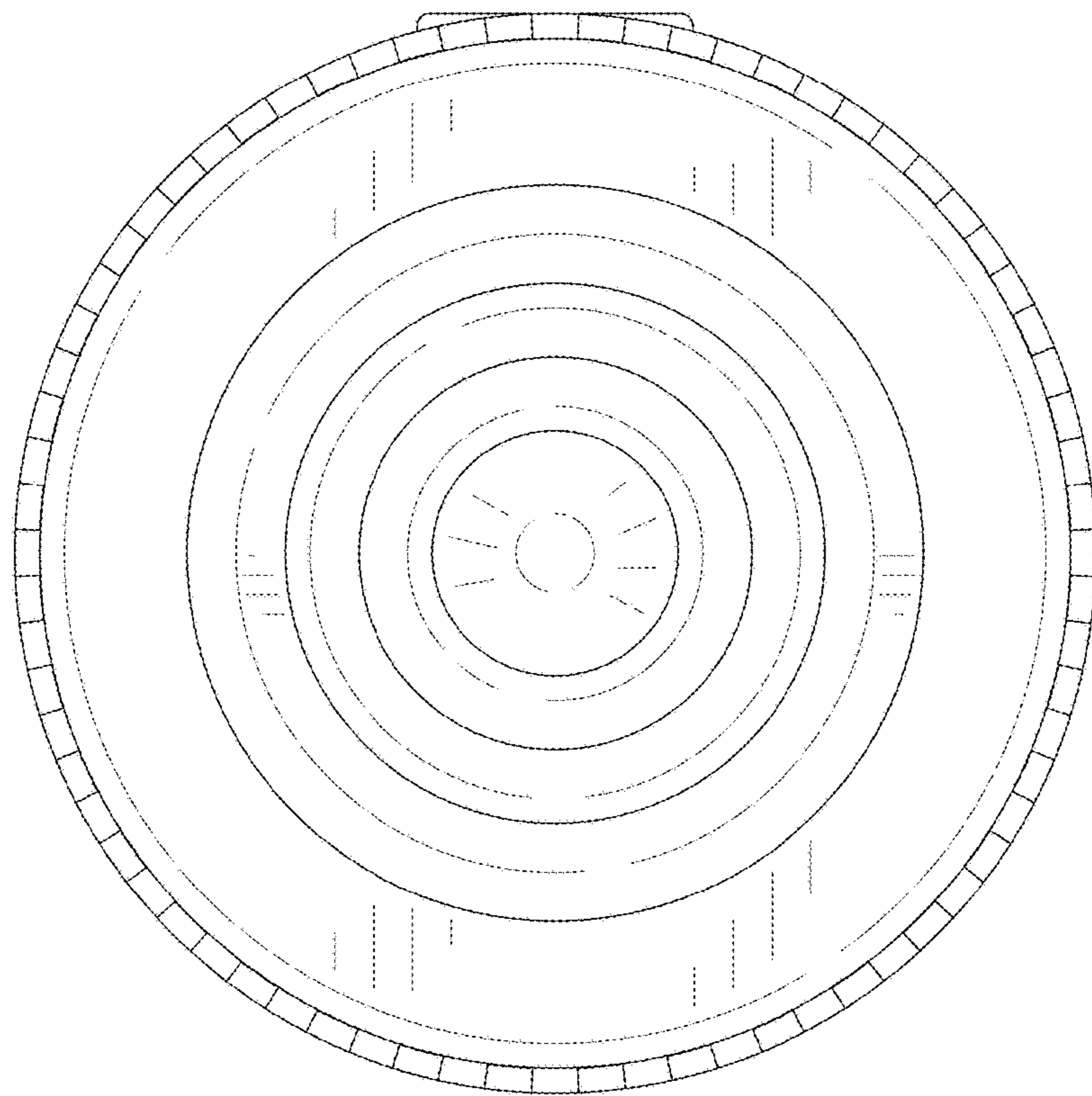


FIG. 11

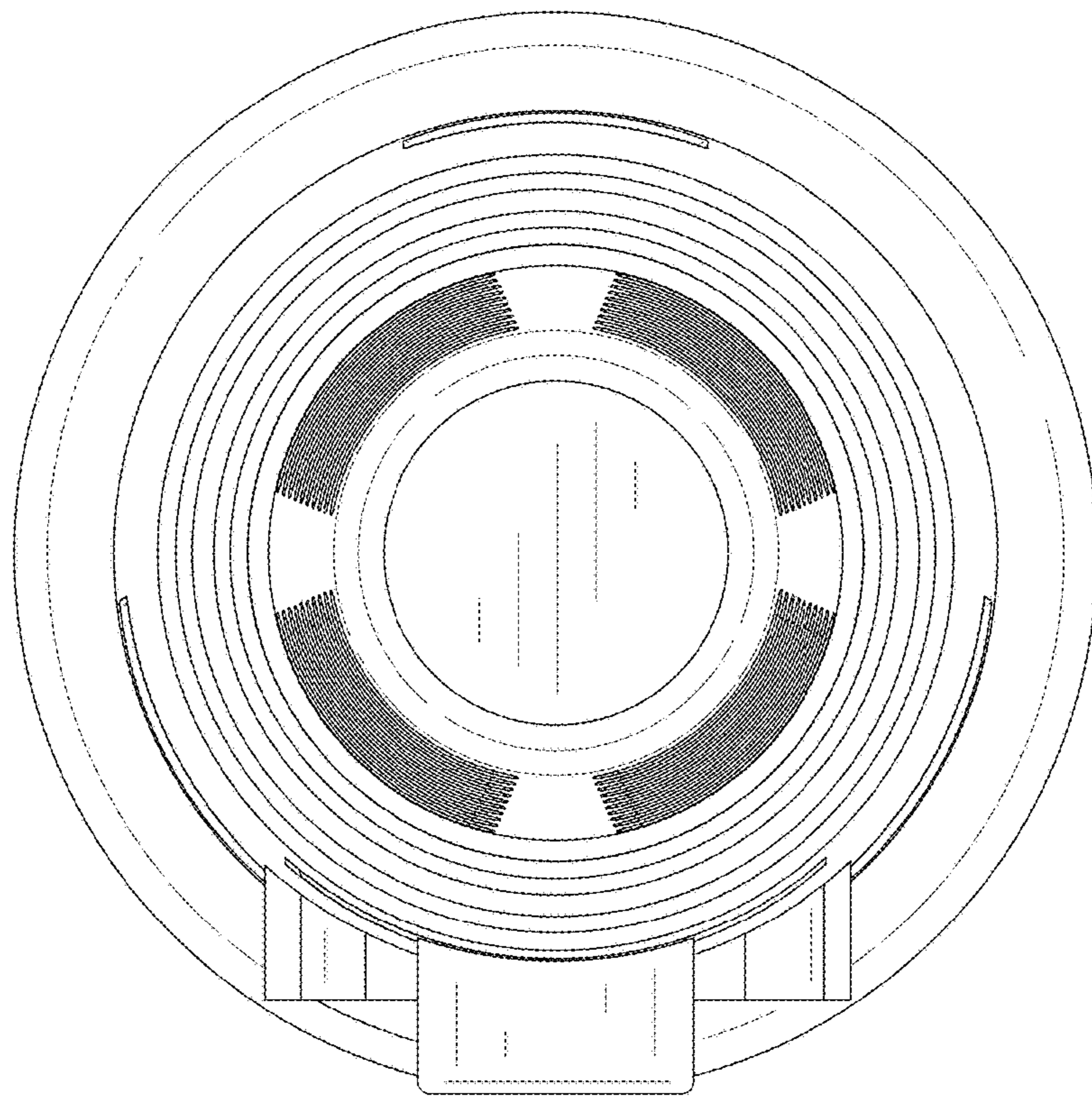


FIG. 12