



US00D862546S

(12) **United States Design Patent**
Becket

(10) **Patent No.:** **US D862,546 S**

(45) **Date of Patent:** **** Oct. 8, 2019**

(54) **PART OF DISPENSER FOR CARTRIDGES**

(71) Applicant: **Sulzer Mixpac AG**, Haag (CH)

(72) Inventor: **Clifford Becket**, Thatcham (GB)

(73) Assignee: **SULZER MIXPAC AG**, Haag (CH)

(**) Term: **15 Years**

(21) Appl. No.: **29/564,455**

(22) Filed: **May 13, 2016**

(30) **Foreign Application Priority Data**

Nov. 16, 2015 (EM) 002861740-0003

(51) **LOC (12) Cl.** **15-09**

(52) **U.S. Cl.**
USPC **D15/144**

(58) **Field of Classification Search**
USPC D15/143, 144, 144.1, 144.2, 150, 199;
D8/14, 14.1, 29.1, 29.2, 30, 61, 68
CPC B05C 11/1034; B05C 17/01; Y10S 239/19
See application file for complete search history.

(56) **References Cited**

U.S. PATENT DOCUMENTS

D269,521 S *	6/1983	Braun	D15/138
D417,459 S *	12/1999	Shintani	D15/144
D492,709 S *	7/2004	Horner-Richardson	D15/144
D504,142 S *	4/2005	Horner-Richardson	D15/144
D517,577 S *	3/2006	Conway	D15/144
D545,152 S *	6/2007	Lopano	D8/14.1
D647,548 S *	10/2011	Savill, Jr.	D15/144
D728,780 S *	5/2015	Pieroni	D24/112
D744,560 S *	12/2015	Hassan	D15/144
D768,489 S *	10/2016	Indruk	D9/447
D777,812 S *	1/2017	Namburu	D15/144
D784,432 S *	4/2017	Yamaguchi	D15/144

D815,168 S *	4/2018	Cash	D15/144
D817,137 S *	5/2018	Becket	D8/68
D823,906 S *	7/2018	Kaminski	D15/135
2009/0042162 A1 *	2/2009	Pond	A61C 3/005 433/80

* cited by examiner

Primary Examiner — Garth Rademaker

Assistant Examiner — Katelin G Kloberg

(74) *Attorney, Agent, or Firm* — Global IP Counselors, LLP

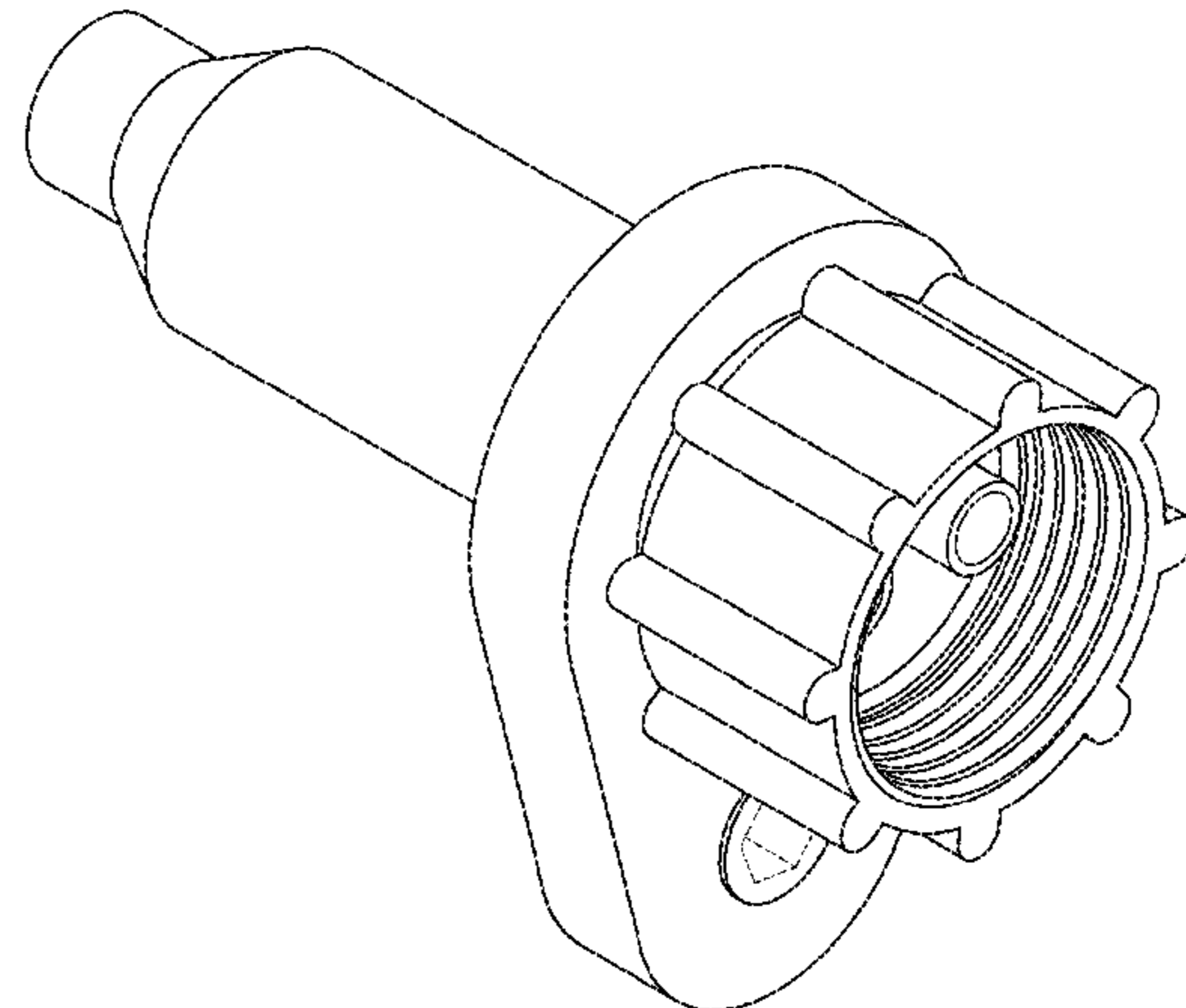
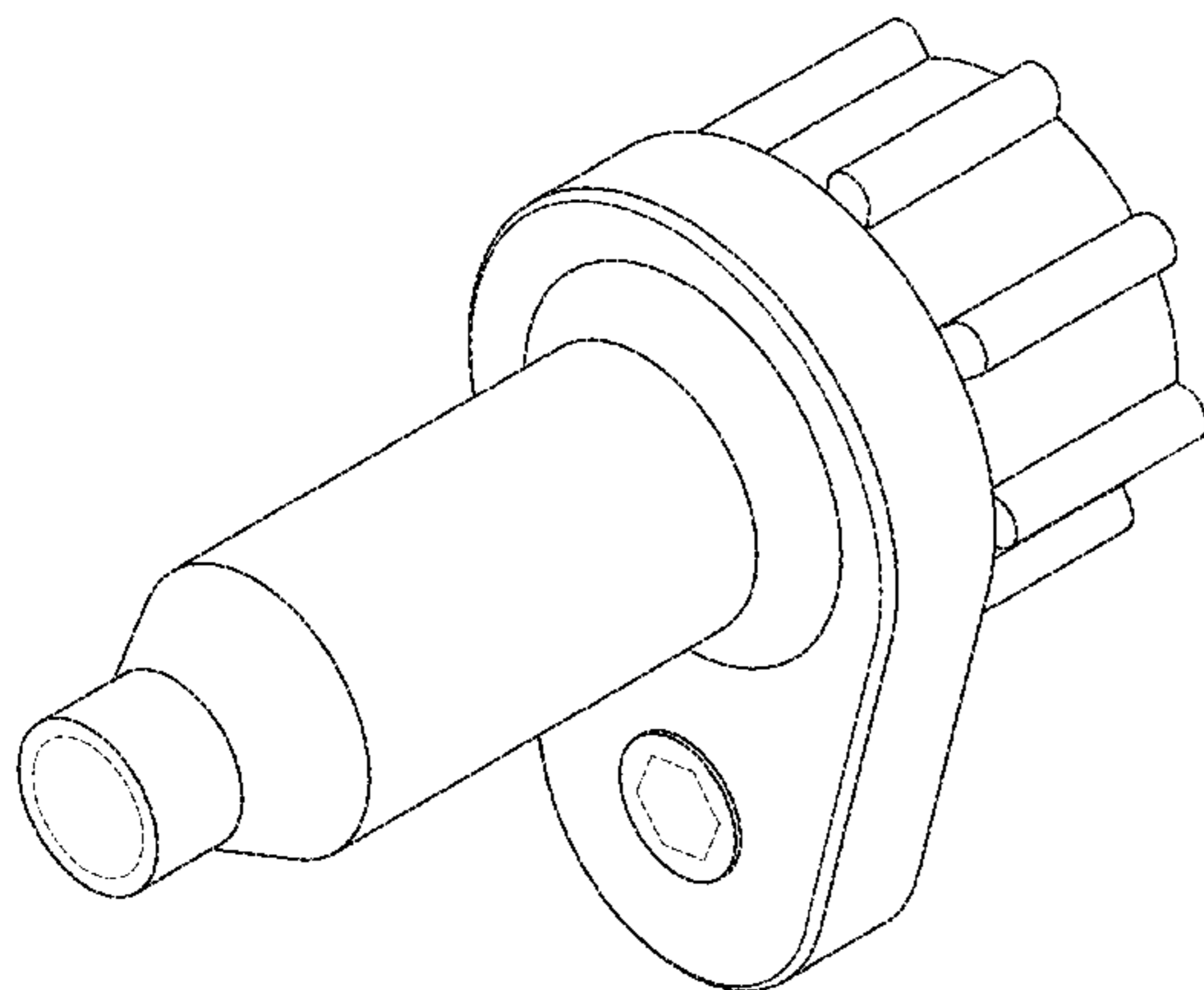
(57) **CLAIM**

The ornamental design for a part of a dispenser for cartridges, as shown and described.

DESCRIPTION

FIG. 1 is a front perspective view a part of a dispenser for cartridges in accordance with my design;
 FIG. 2 is a back perspective view the part of the dispenser of FIG. 1;
 FIG. 3 is a right elevational view of the part of the dispenser of FIG. 1;
 FIG. 4 is a left side elevational view of the part of the dispenser of FIG. 1;
 FIG. 5 is a front end elevational view of the part of the dispenser of FIG. 1;
 FIG. 6 is a back end elevational view of the part of the dispenser of FIG. 1;
 FIG. 7 is a top plan view of the part of the dispenser of FIG. 1; and,
 FIG. 8 is a bottom plan view of the part of the dispenser of FIG. 1.
 The broken lines depict portions of the article that form no part the claimed design.

1 Claim, 5 Drawing Sheets



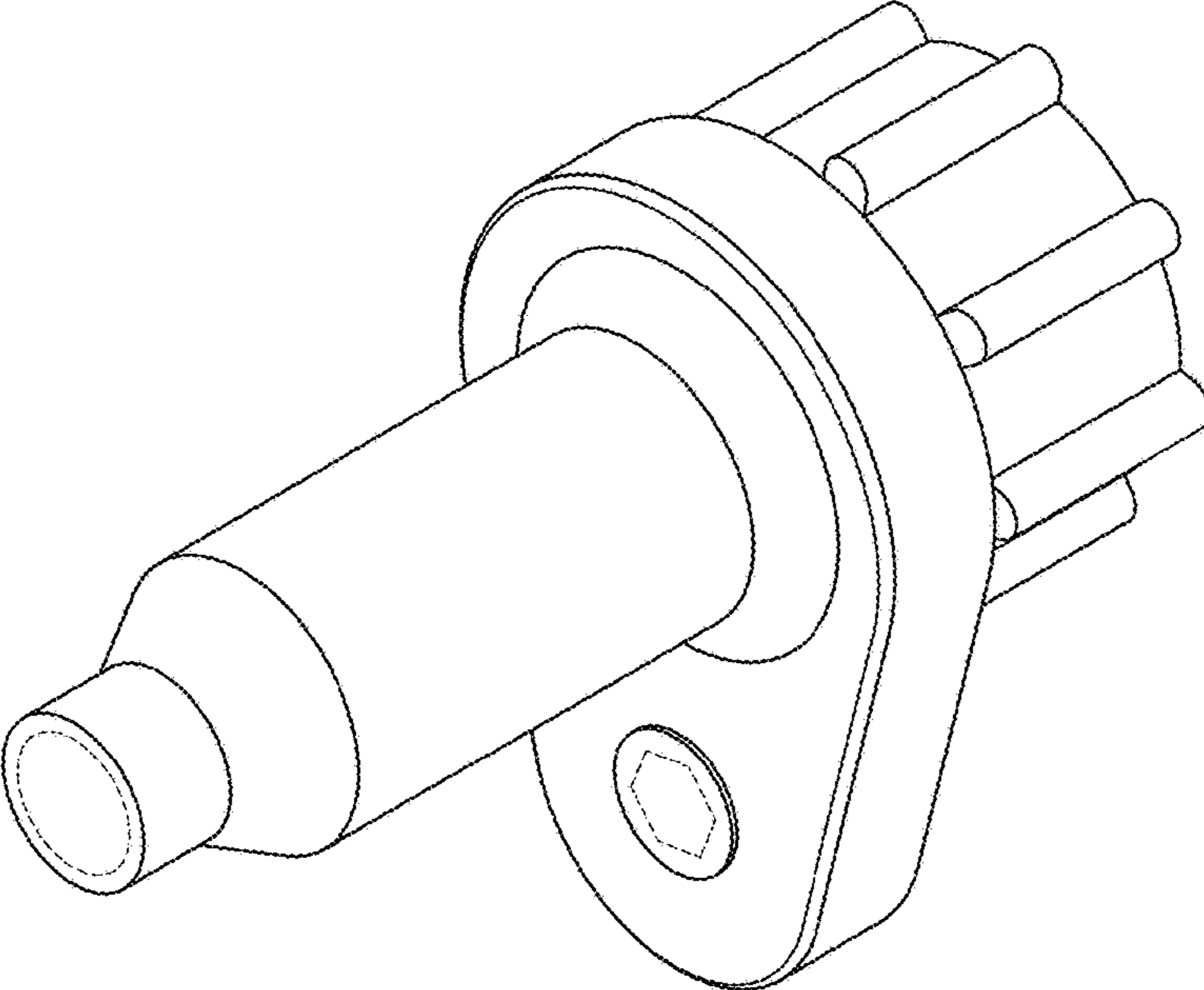


FIG. 1

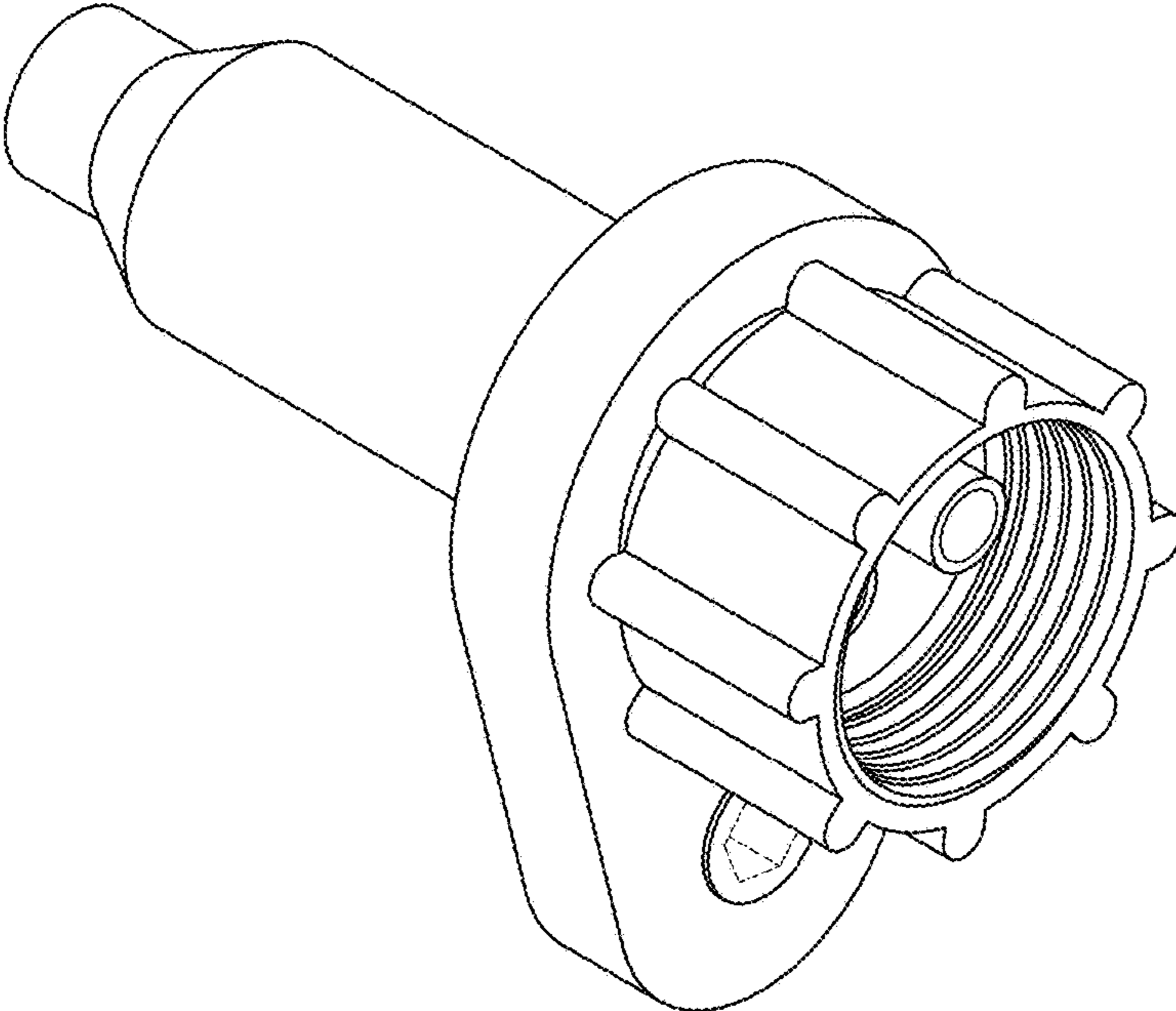


FIG. 2

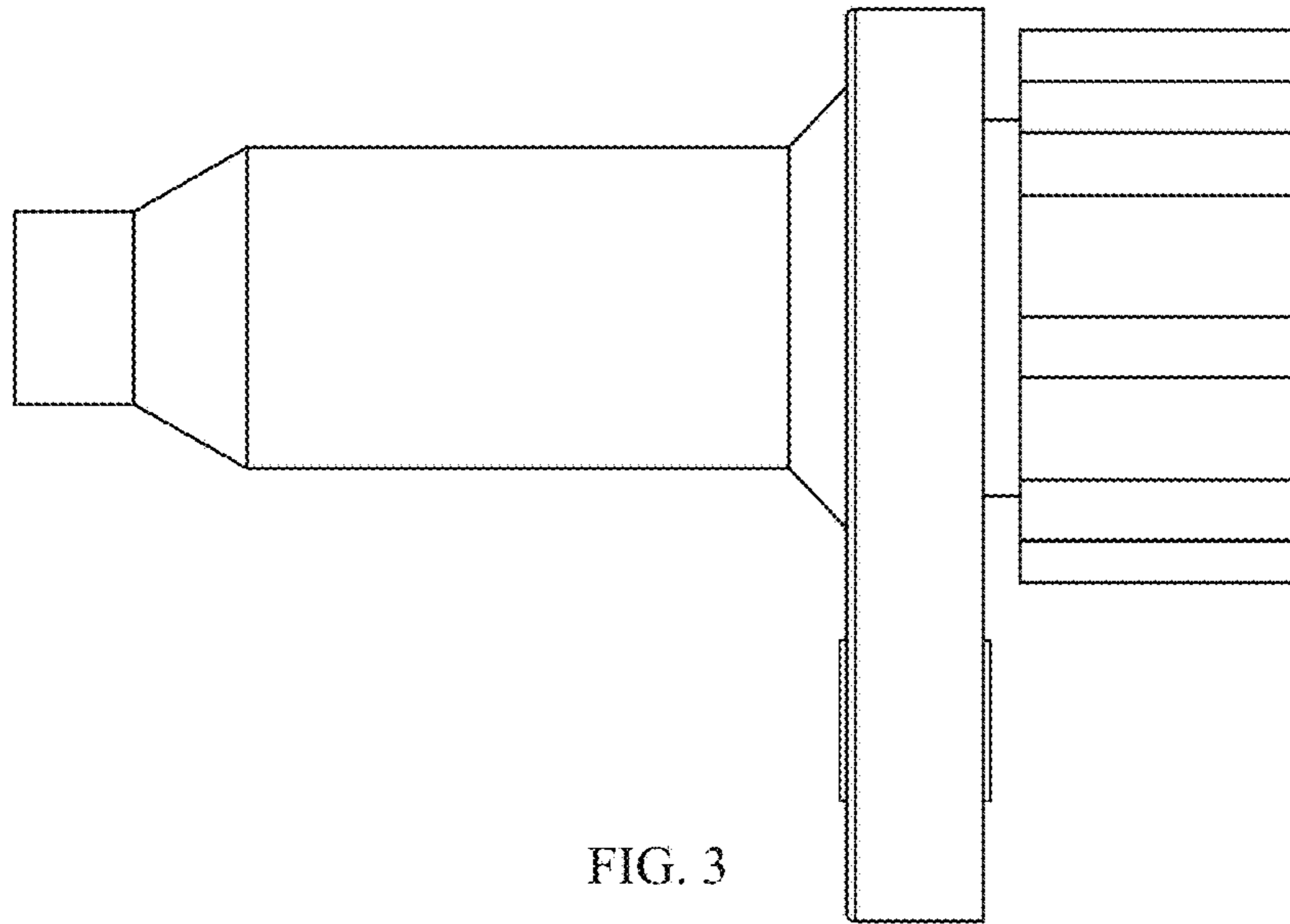


FIG. 3

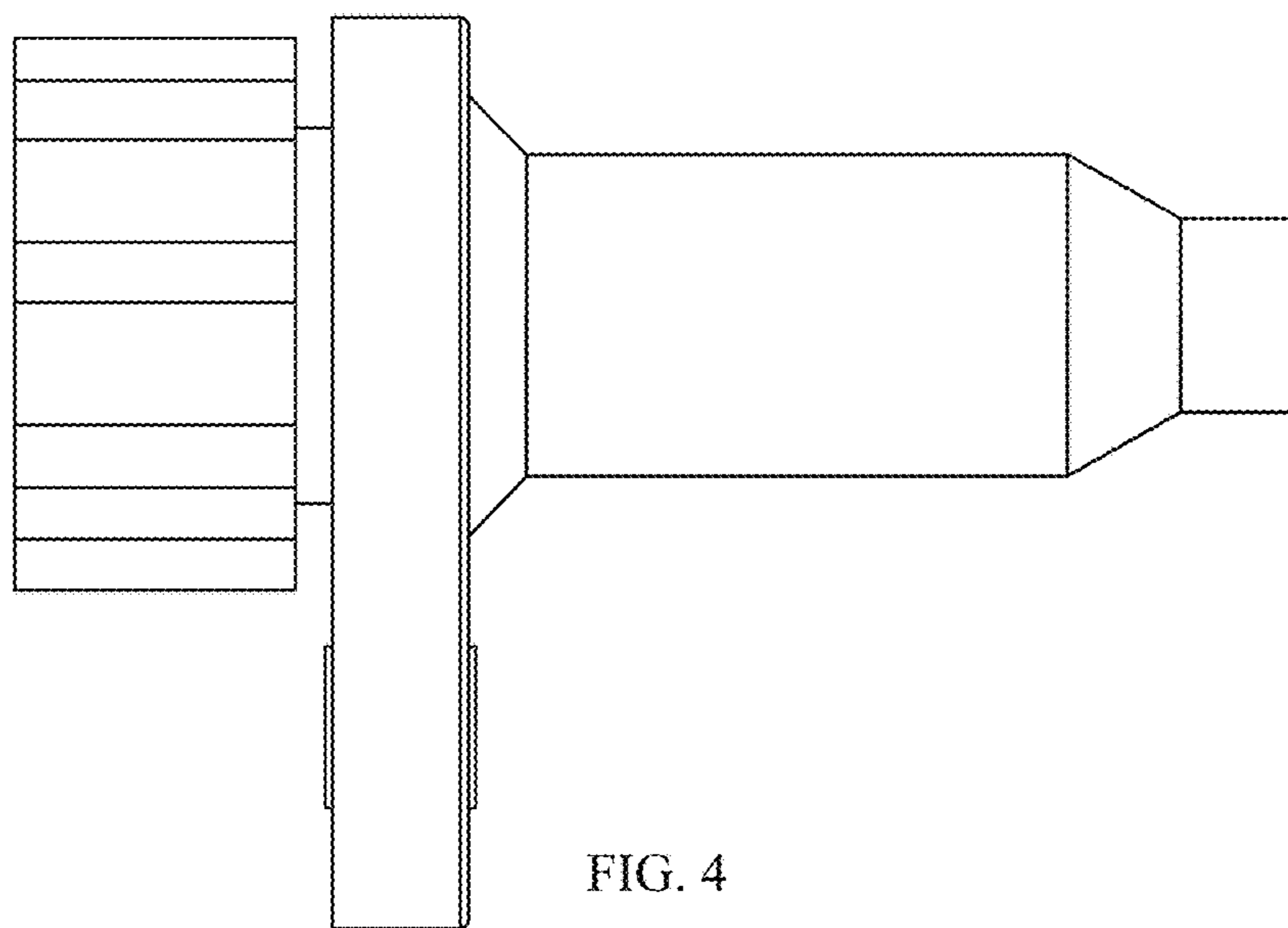


FIG. 4

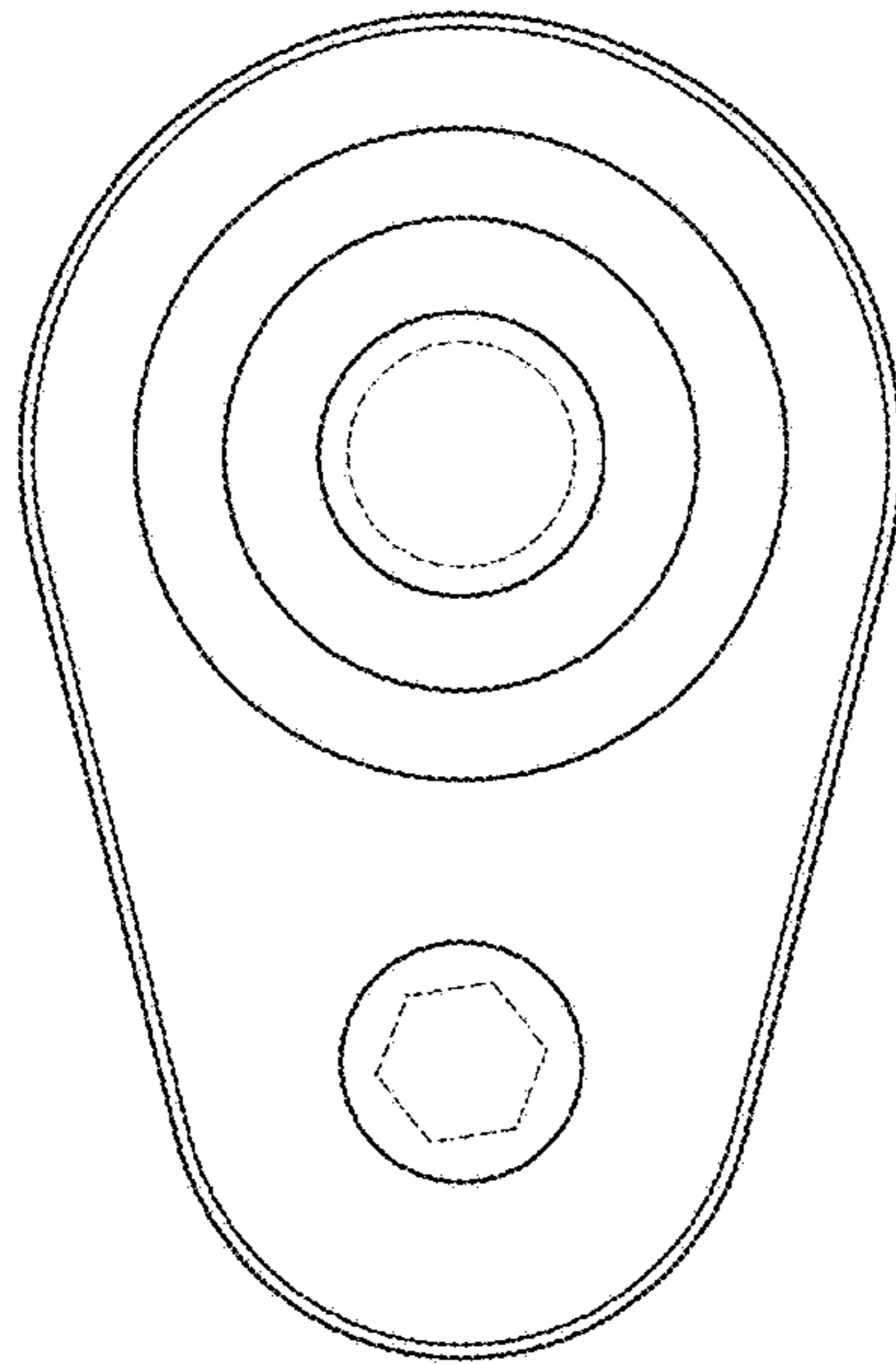


FIG. 5

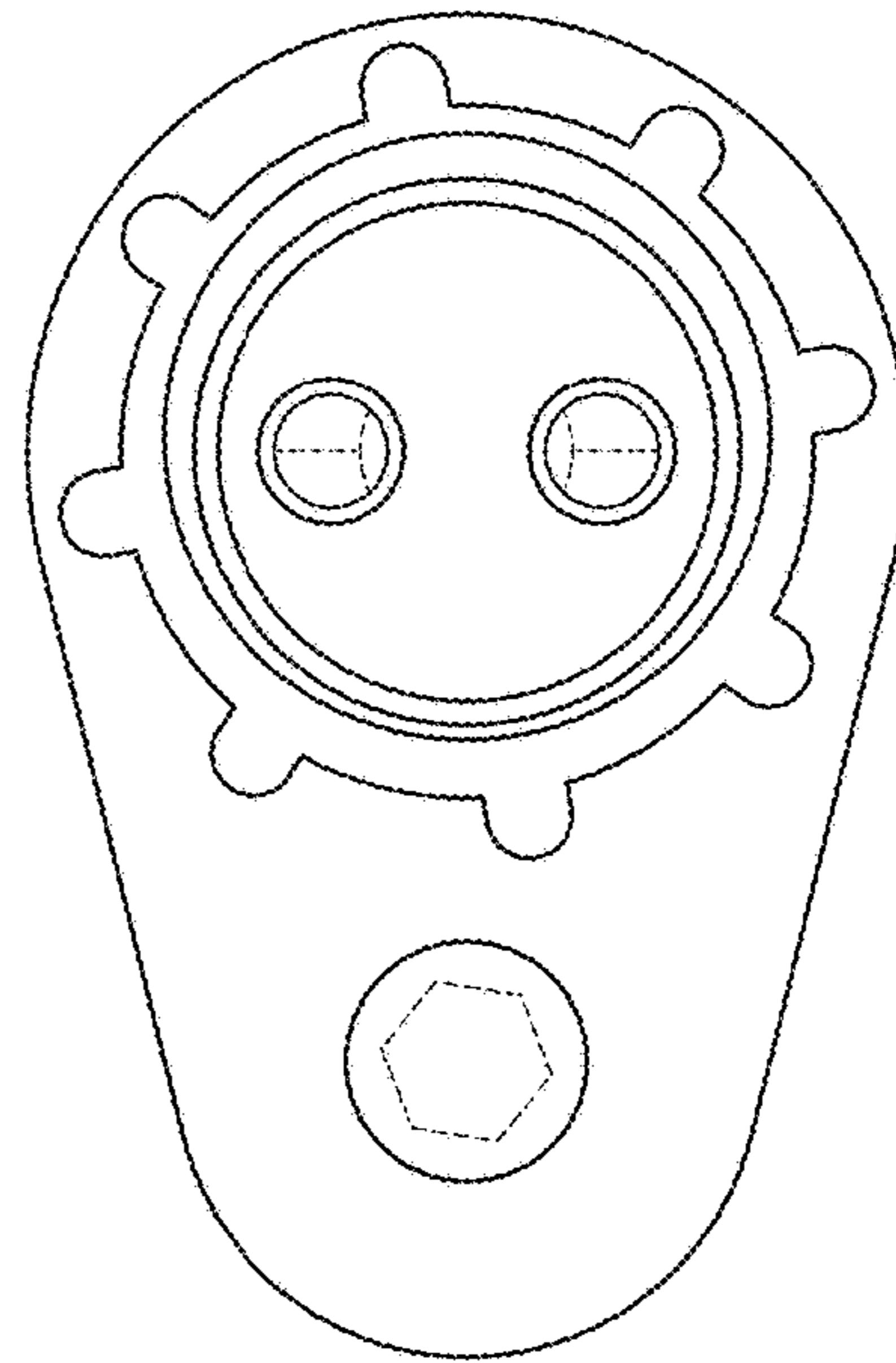


FIG. 6

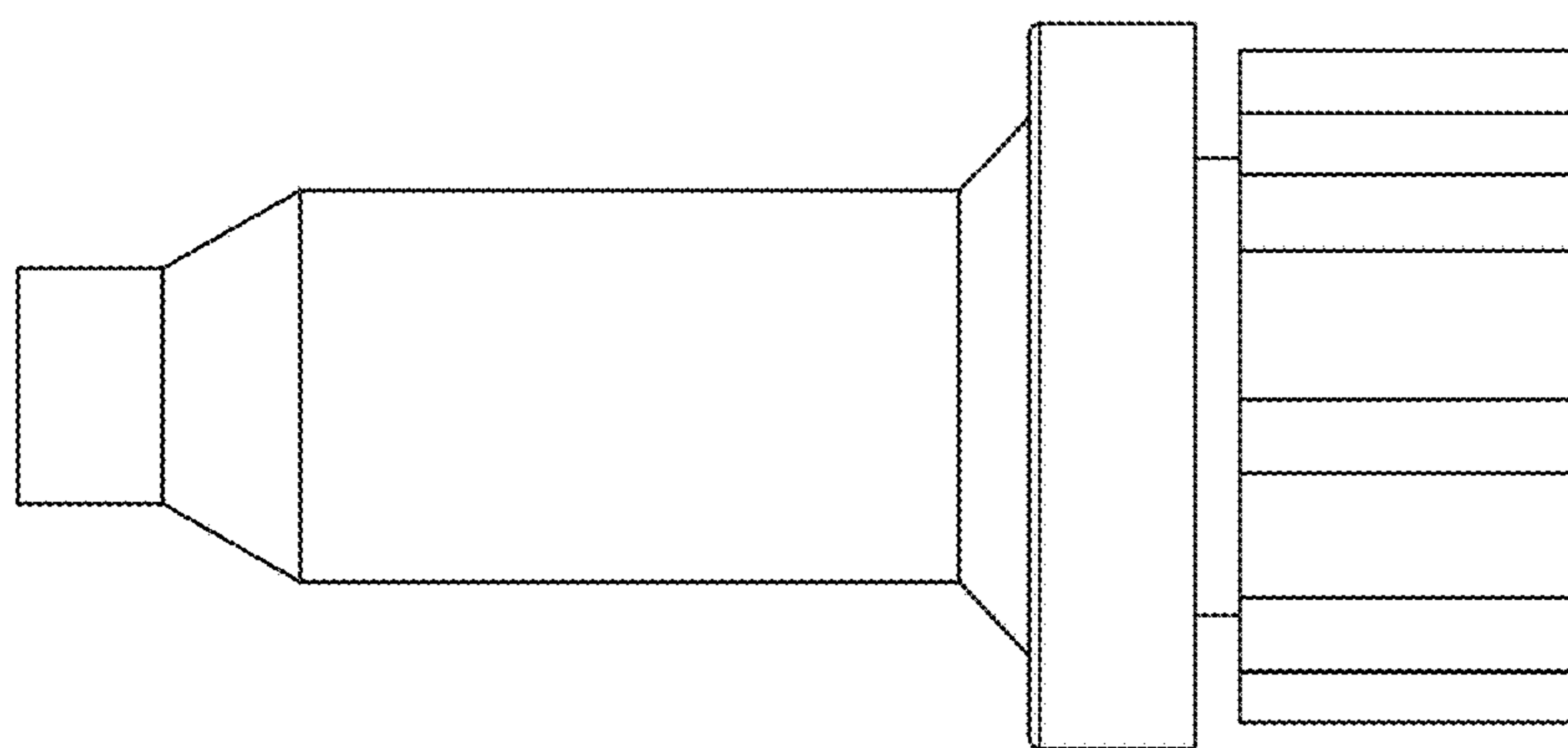


FIG. 7

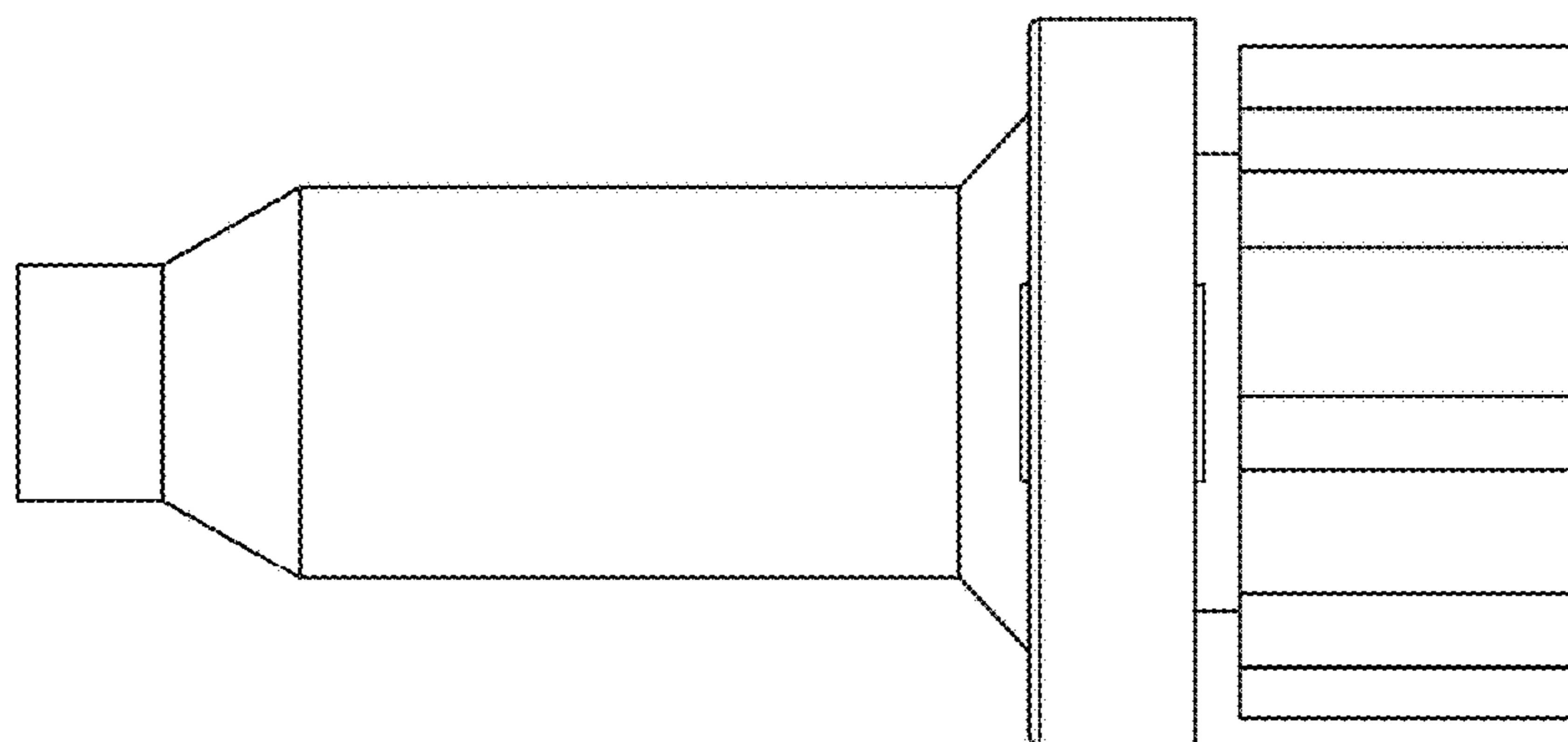


FIG. 8