



US00D862543S

(12) **United States Design Patent** (10) **Patent No.:** **US D862,543 S**
Maeda (45) **Date of Patent:** **** Oct. 8, 2019**

(54) **THROW-AWAY TIP FOR CUTTING TOOL**

(71) Applicant: **SUMITOMO ELECTRIC SINTERED ALLOY, LTD.**,
Takahashi-shi (JP)

(72) Inventor: **Kazuo Maeda**, Takahashi (JP)

(73) Assignee: **Sumitomo Electric Sintered Alloy, Ltd.**, Takahashi-shi (JP)

(**) Term: **15 Years**

(21) Appl. No.: **29/664,539**

(22) Filed: **Sep. 26, 2018**

Related U.S. Application Data

(62) Division of application No. 29/562,726, filed on Apr. 28, 2016, now Pat. No. Des. 842,909.

(30) **Foreign Application Priority Data**

Oct. 29, 2015 (JP) 2015-024129
 Oct. 29, 2015 (JP) 2015-024130
 (Continued)

(51) **LOC (12) Cl.** **15-09**

(52) **U.S. Cl.**
USPC **D15/139**

(58) **Field of Classification Search**
 USPC D8/20, 70; D15/126, 131, 138, 139, 140
 (Continued)

(56) **References Cited**

U.S. PATENT DOCUMENTS

D271,497 S 11/1983 Green
 4,507,023 A 3/1985 Shikata
 (Continued)

FOREIGN PATENT DOCUMENTS

JP S62-024903 A 2/1987
 JP H06-28806 B2 4/1994
 (Continued)

OTHER PUBLICATIONS

Notice in Japanese Design Application No. 2015-024129, dated May 9, 2016.

(Continued)

Primary Examiner — Patricia A Palasik

(74) *Attorney, Agent, or Firm* — Baker Botts L.L.P.;
Michael A. Sartori

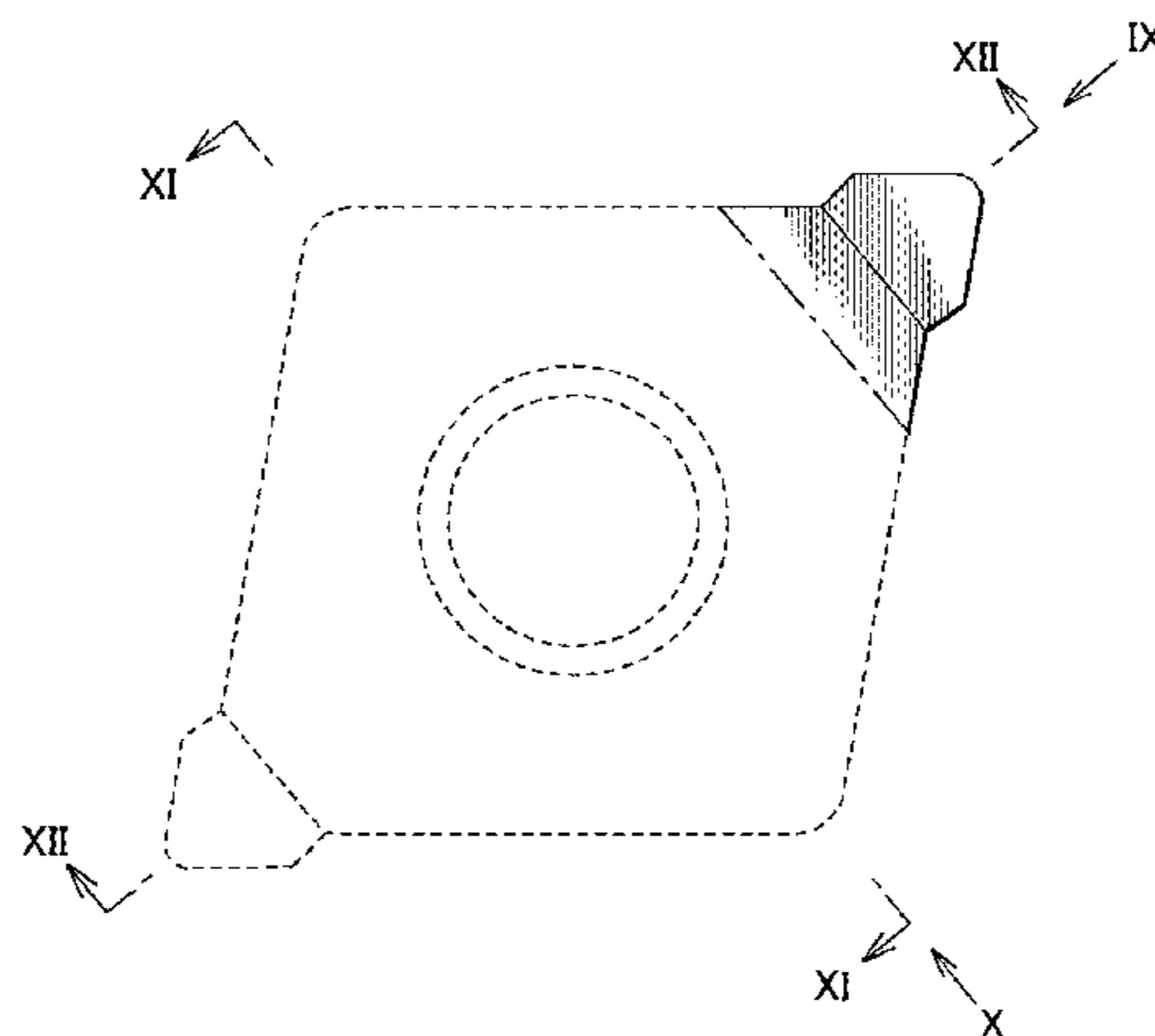
(57) **CLAIM**

The ornamental design for a throw-away tip for cutting tool, as shown and described.

DESCRIPTION

FIG. 1 is a front view of an embodiment of a throw-away tip for cutting tool showing my new design;
 FIG. 2 is a rear view thereof;
 FIG. 3 is a top view thereof;
 FIG. 4 is a bottom view thereof;
 FIG. 5 is a right side view thereof;
 FIG. 6 is a left side view thereof;
 FIG. 7 is a first perspective view thereof;
 FIG. 8 is a second perspective view thereof;
 FIG. 9 is a first side view seen in the direction of arrow IX of FIG. 1;
 FIG. 10 is a second side view seen in the direction of arrow X of FIG. 1;
 FIG. 11 is a first cross sectional view taken along line XI-XI of FIG. 1;
 FIG. 12 is a second cross sectional view taken along line XII-XII of FIG. 1; and,
 FIG. 13 is a referential view showing the state in which a workpiece is machined with the throw-away tip for cutting tool according to the embodiment attached to a holder.
 The broken lines in the drawings depict portions of the throw-away tip for cutting tool and unclaimed environmental subject matter. The long dashed and short dashed lines shown in the drawings indicate only a boundary between the claimed portion and the unclaimed portion.

1 Claim, 7 Drawing Sheets



(30) **Foreign Application Priority Data**

Oct. 29, 2015 (JP) 2015-024131
 Oct. 29, 2015 (JP) 2015-024132
 Oct. 29, 2015 (JP) 2015-024133
 Oct. 29, 2015 (JP) 2015-024134
 Oct. 29, 2015 (JP) 2015-024135
 Oct. 29, 2015 (JP) 2015-024136
 Oct. 29, 2015 (JP) 2015-024137
 Oct. 29, 2015 (JP) 2015-024138

D787,578 S 5/2017 Watanobe et al.
 D841,704 S * 2/2019 Maeda D15/139
 D842,909 S * 3/2019 Maeda D15/139
 2002/0146292 A1 10/2002 Shimizu
 2007/0280790 A1 12/2007 Kovac
 2010/0272525 A1 10/2010 Corbin
 2011/0299948 A1 12/2011 Edler et al.

(58) **Field of Classification Search**

CPC B23C 5/109; B23C 5/207
 See application file for complete search history.

FOREIGN PATENT DOCUMENTS

JP H10-166206 A 6/1998
 JP H11-320219 A 11/1999
 JP D1405583 1/2011
 JP D1419424 7/2011
 JP D1431524 1/2012

(56) **References Cited**

U.S. PATENT DOCUMENTS

6,155,755 A 12/2000 Kanada et al.
 D475,376 S 6/2003 Sikstrom et al.
 D475,377 S 6/2003 Sikstrom et al.
 D475,379 S 6/2003 Sikstrom et al.
 D475,723 S 6/2003 Sikstrom et al.
 D475,724 S 6/2003 Sikstrom et al.
 D475,725 S 6/2003 Sikstrom et al.
 D476,019 S 6/2003 Sikstrom et al.
 D541,321 S 4/2007 Sjoo et al.
 D595,322 S 6/2009 Sakata et al.
 D595,323 S 6/2009 Sakata et al.
 D595,751 S 7/2009 Sakata et al.
 D664,168 S 7/2012 Okamura et al.

OTHER PUBLICATIONS

Notice in Japanese Design Application No. 2015-024130, dated May 9, 2016.
 Notice in Japanese Design Application No. 2015-024131, dated May 9, 2016.
 Notice in Japanese Design Application No. 2015-024132, dated May 9, 2016.
 Notice in Japanese Design Application No. 2015-024134, dated May 9, 2016.
 Notice in Japanese Design Application No. 2015-024136, dated May 9, 2016.
 Notice in Japanese Design Application No. 2015-024137, dated May 9, 2016.

* cited by examiner

FIG.1

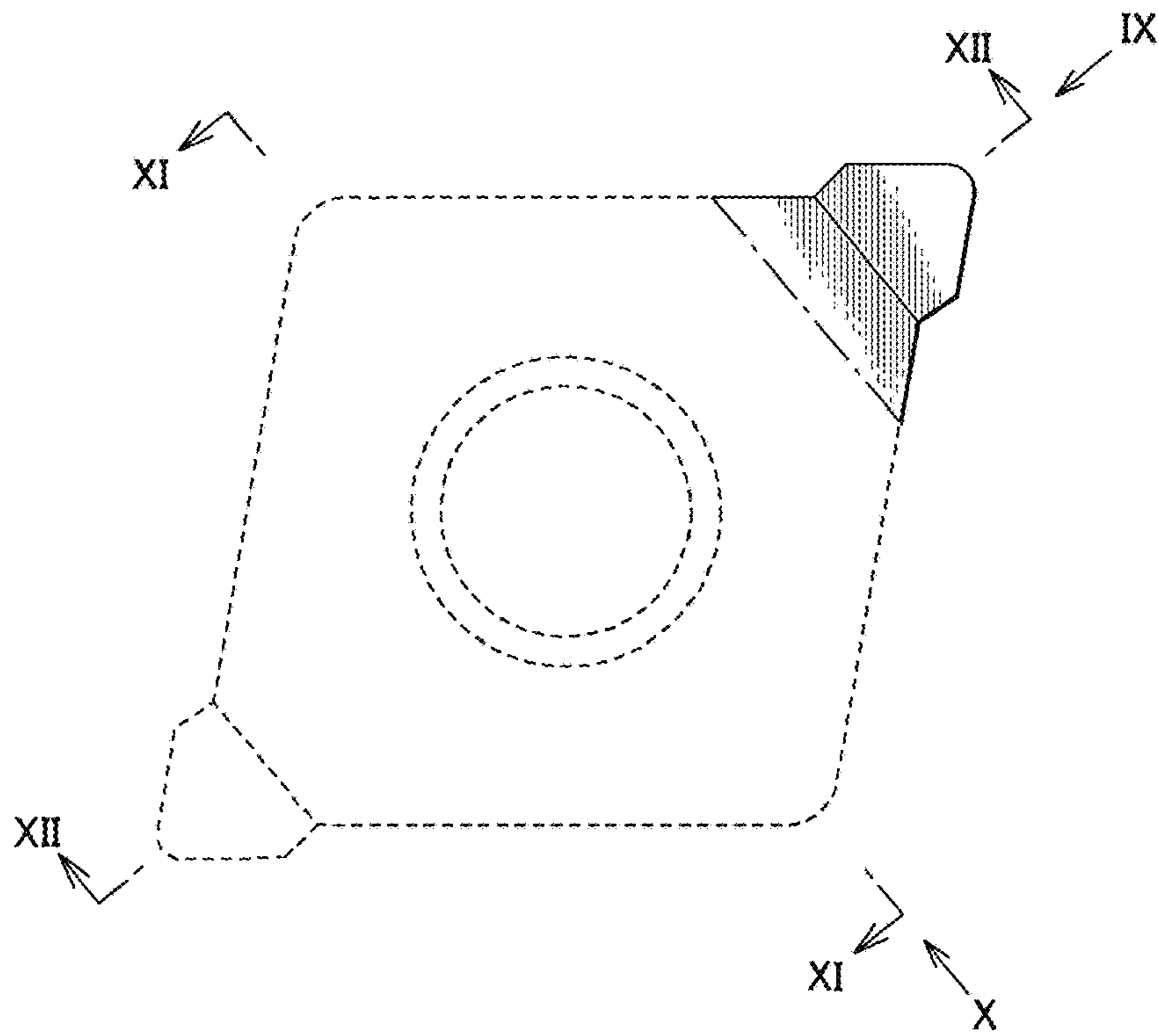


FIG.2

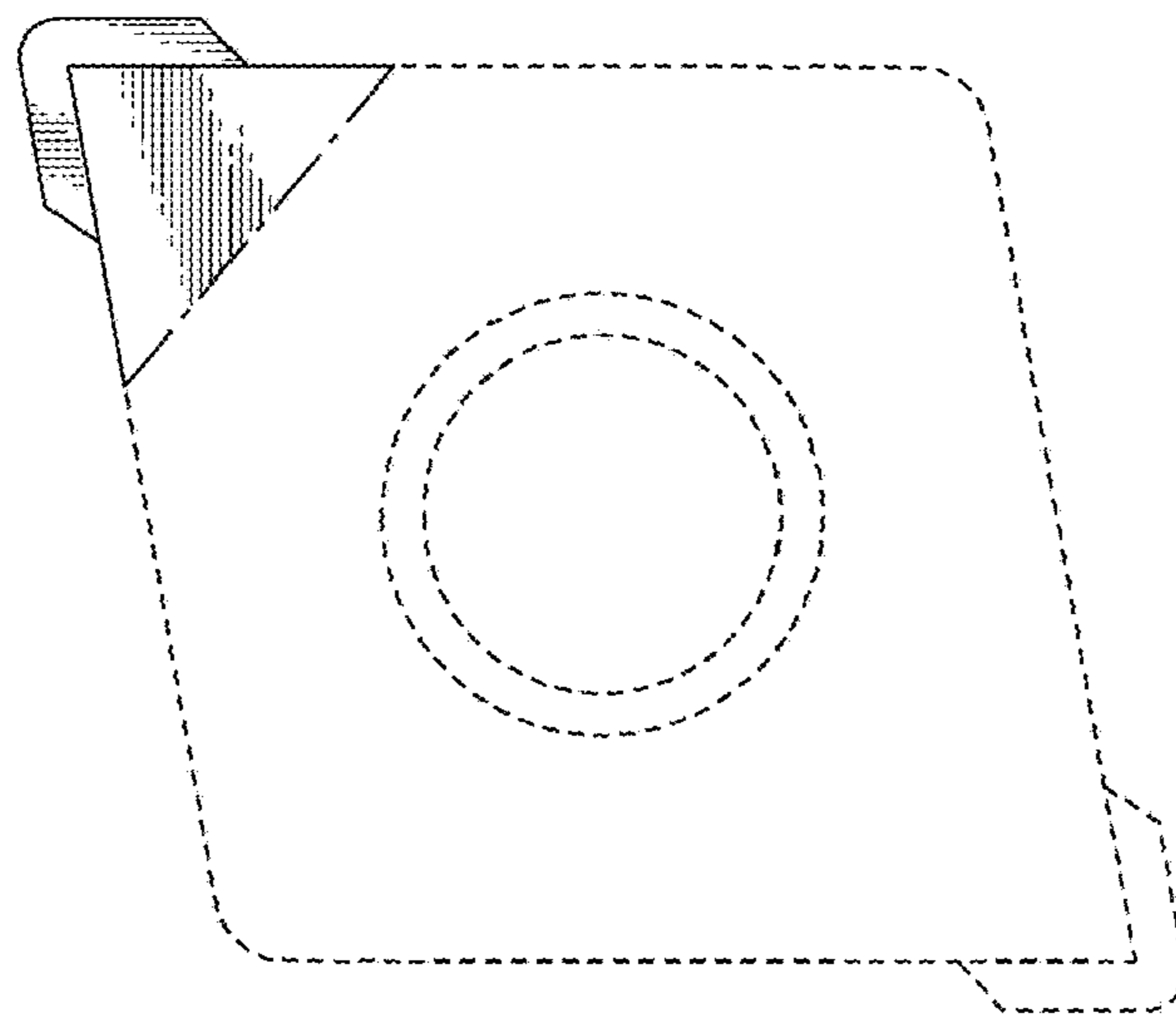


FIG.3

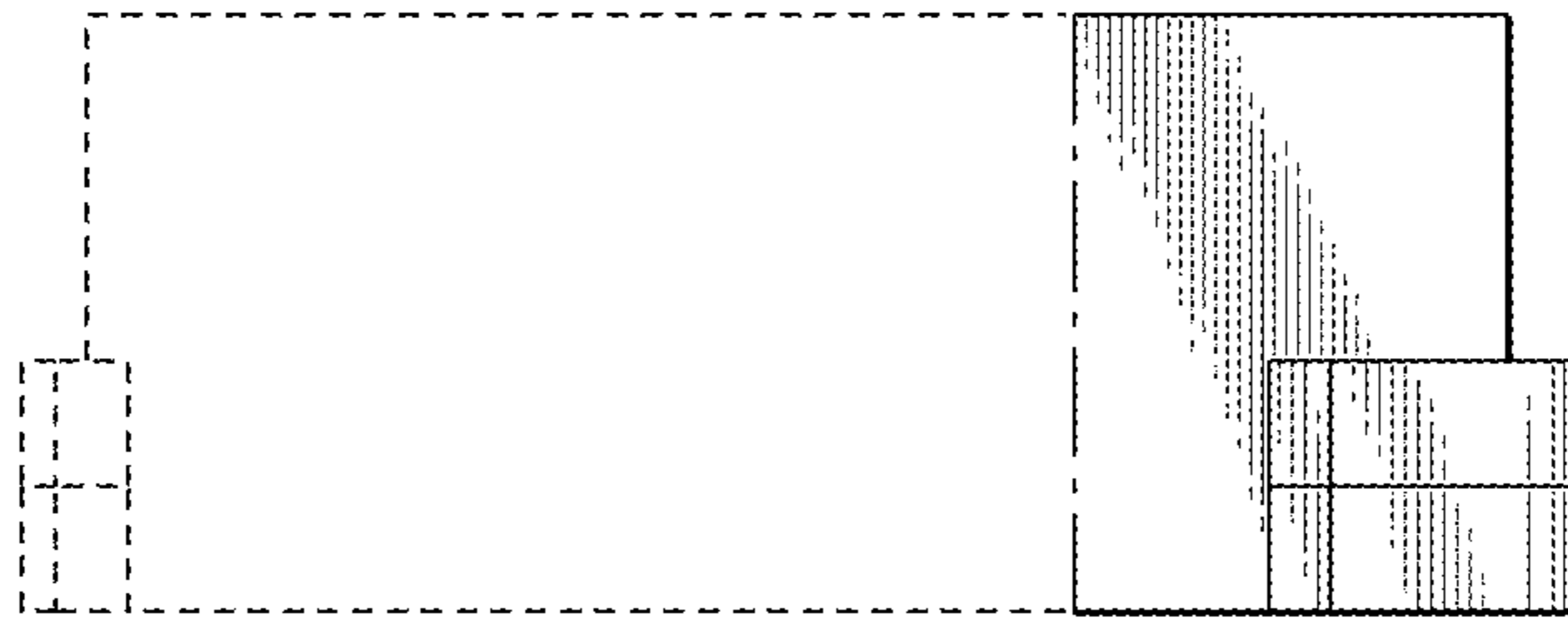


FIG.4



FIG.5



FIG.6

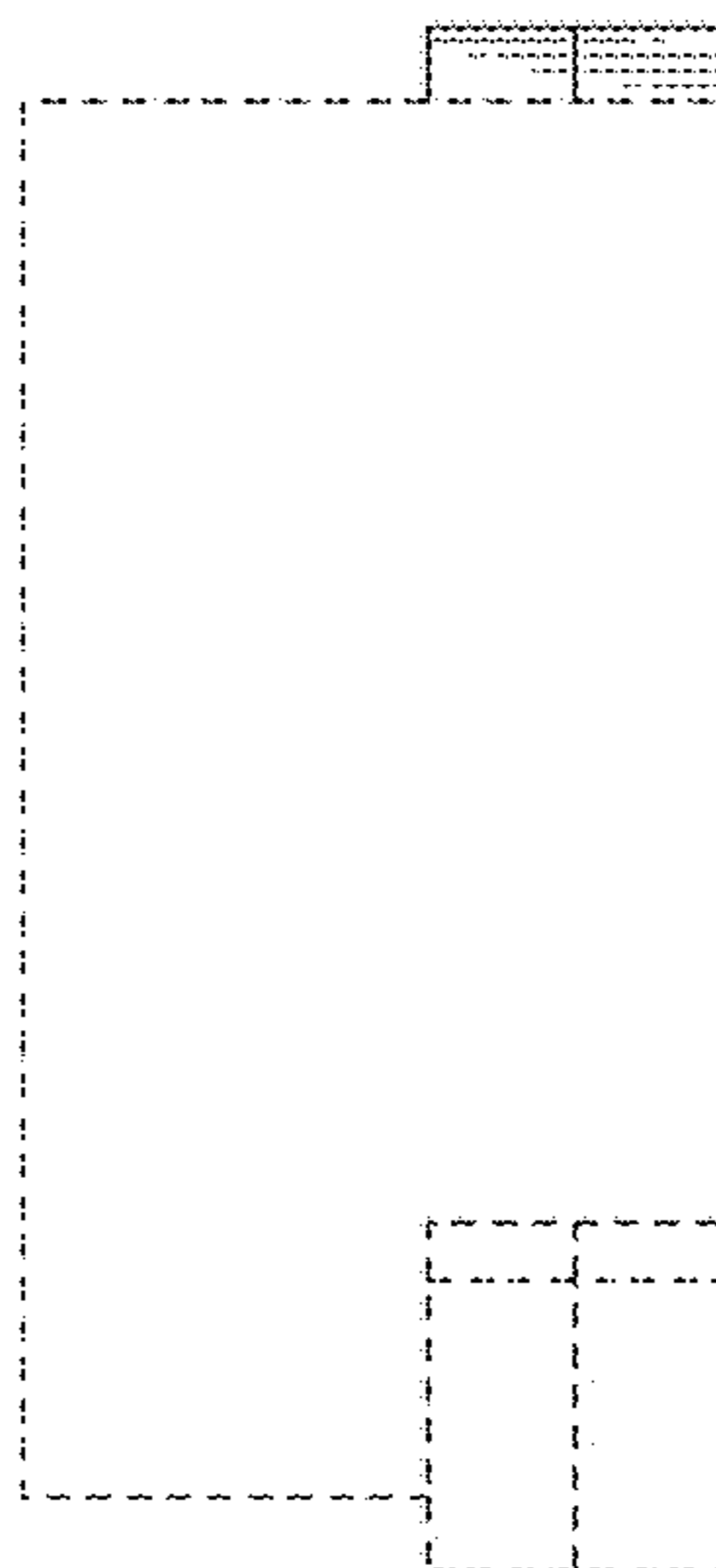


FIG.7

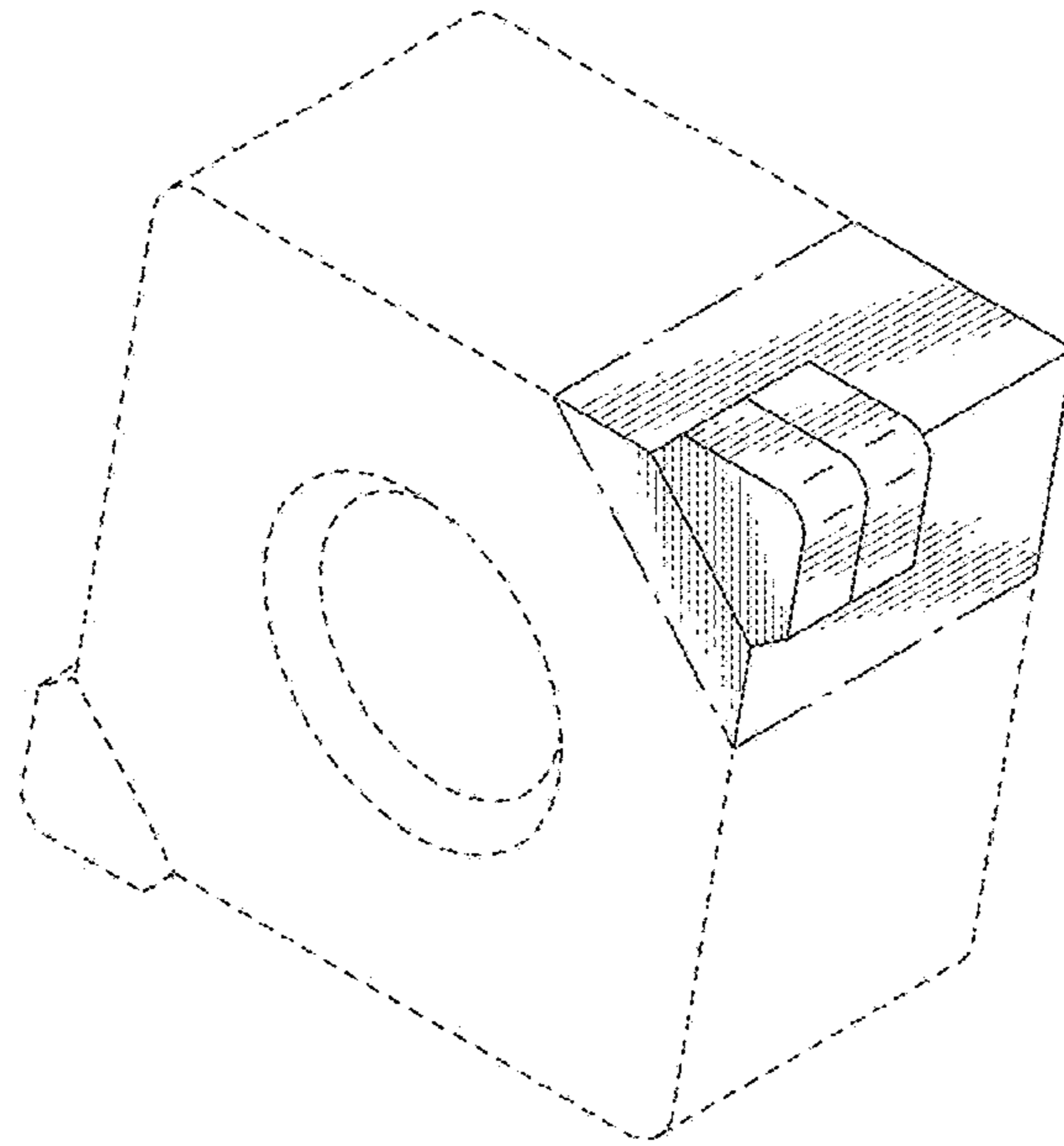


FIG.8

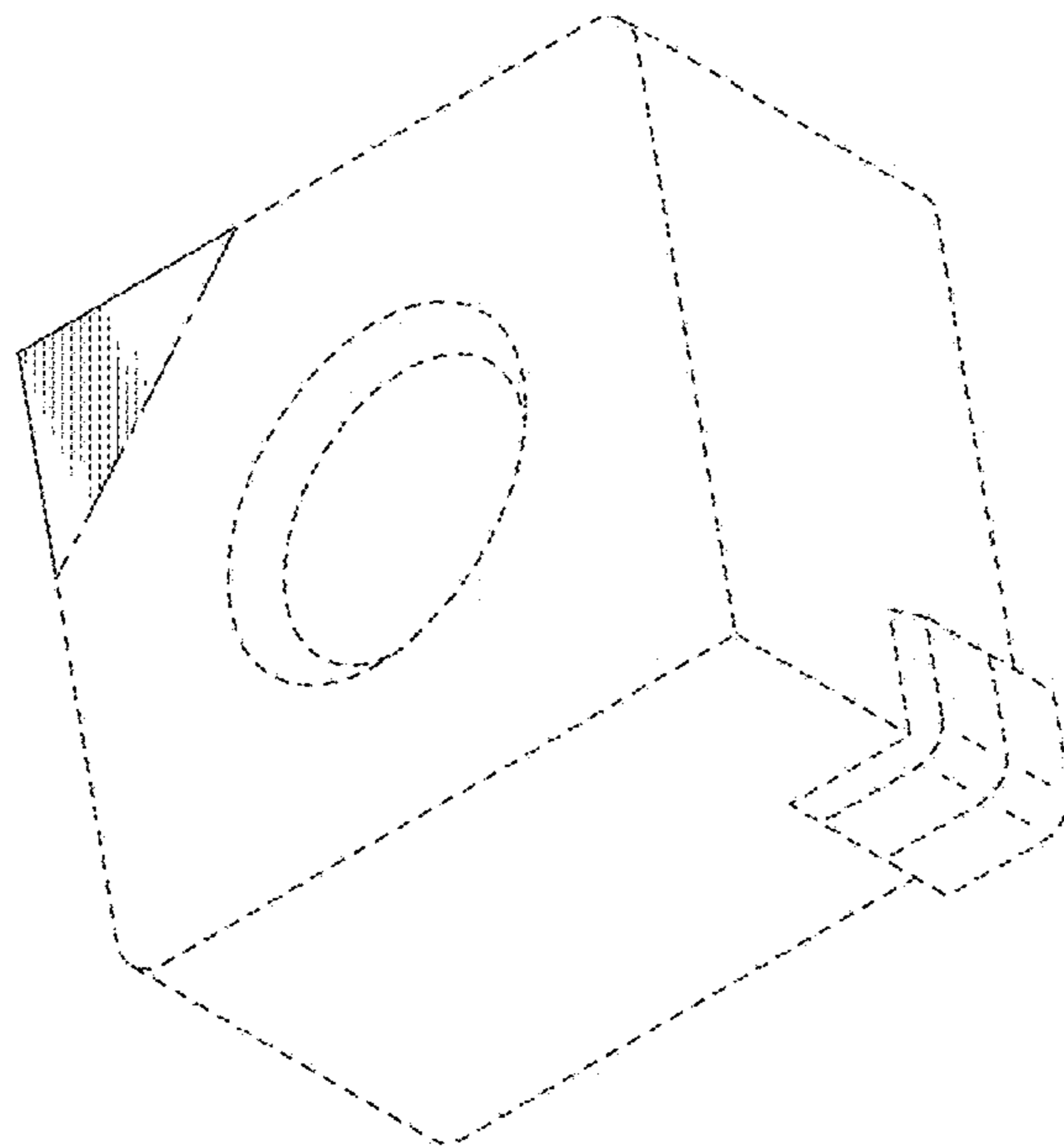


FIG.9

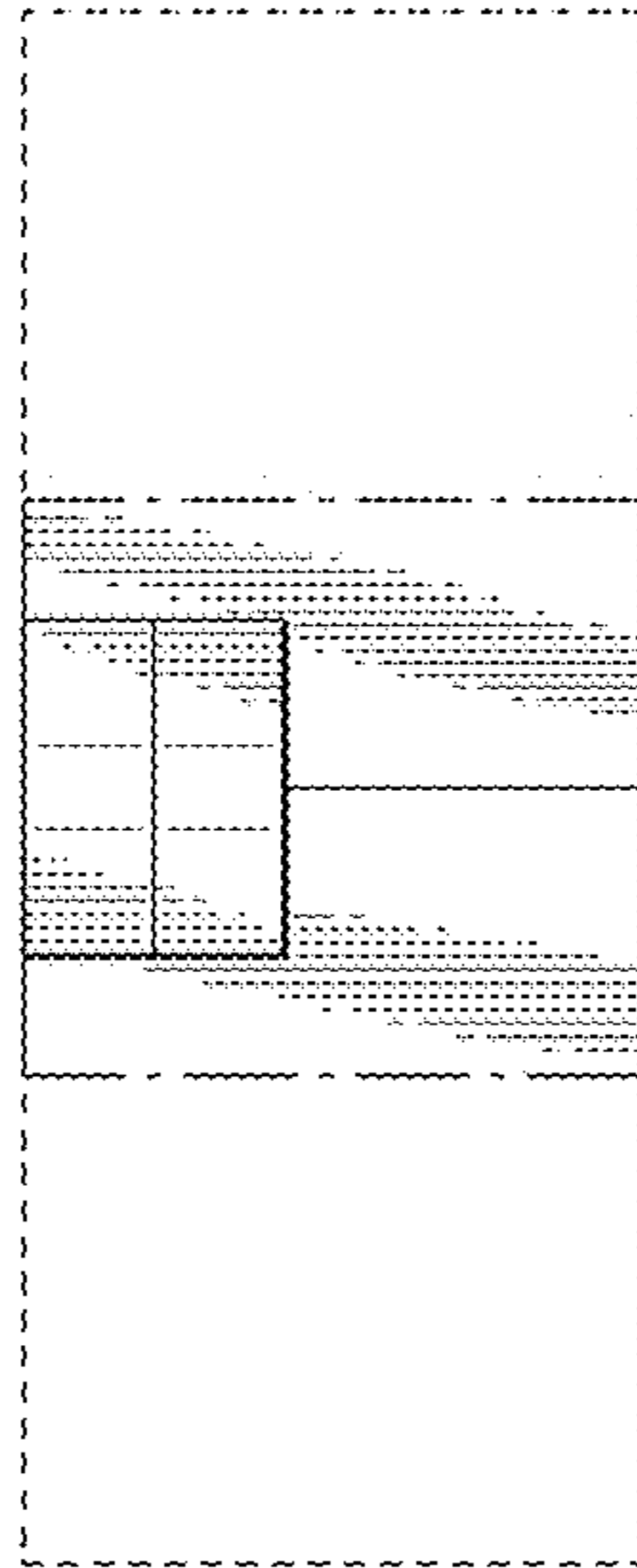


FIG.10

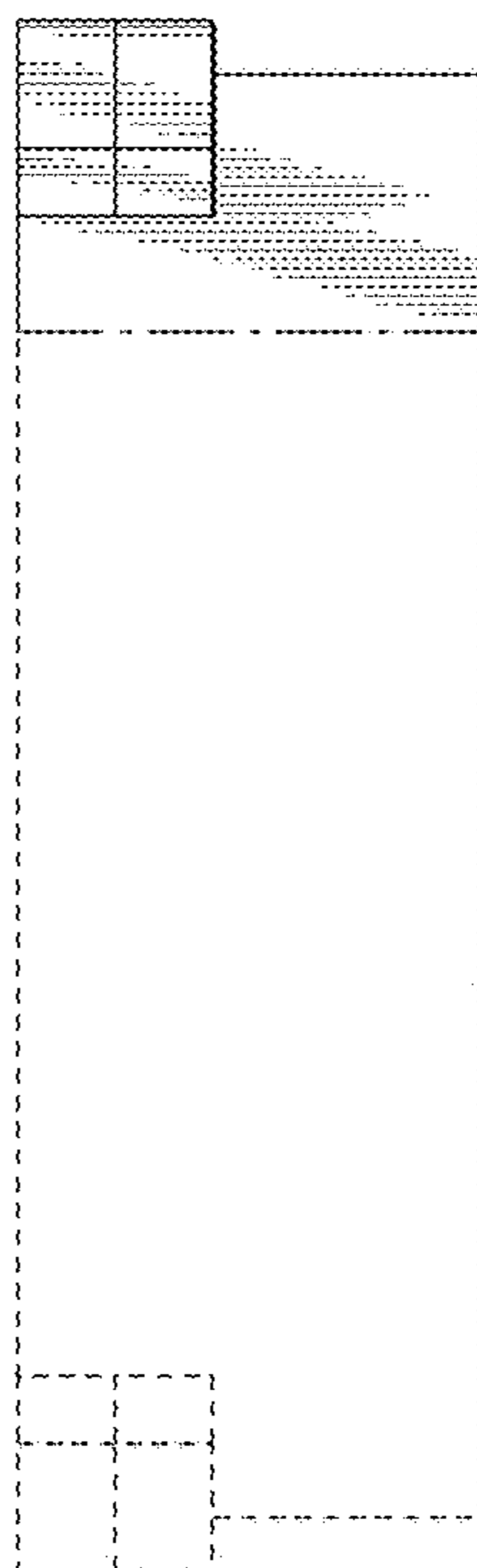


FIG.11

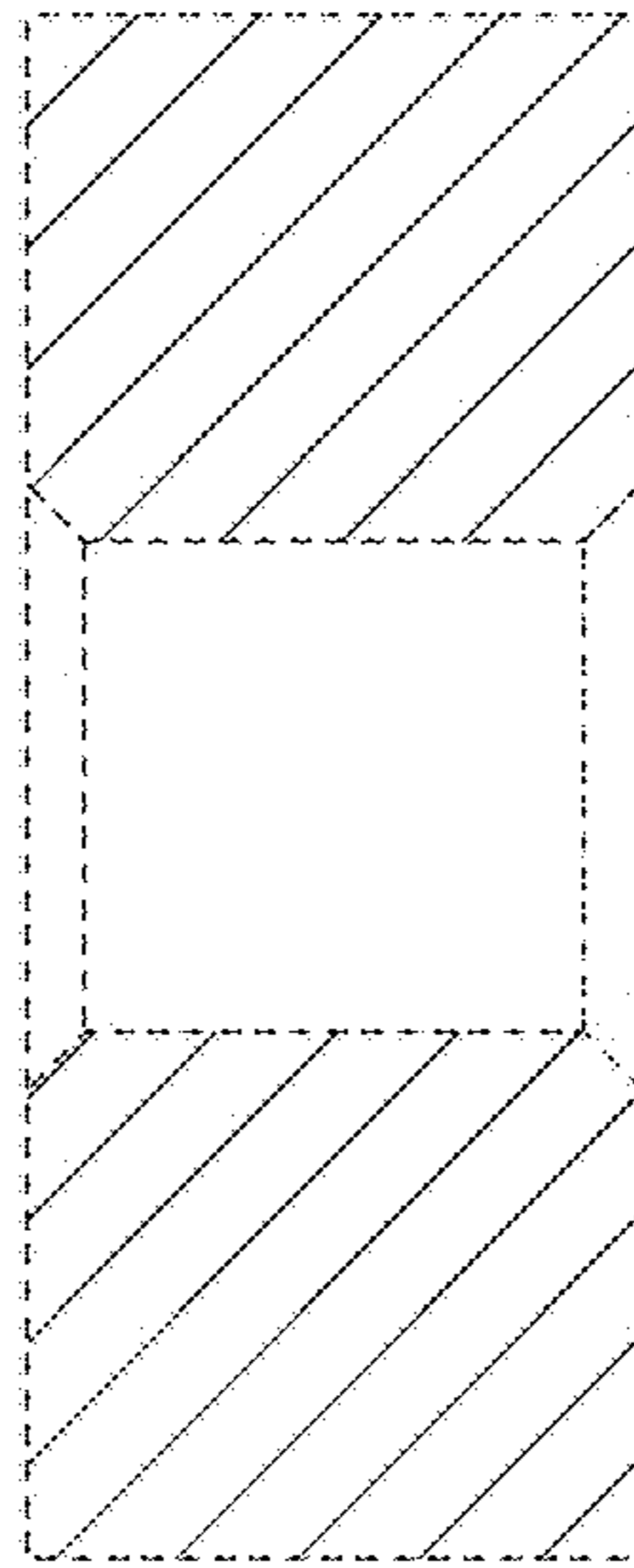


FIG.12

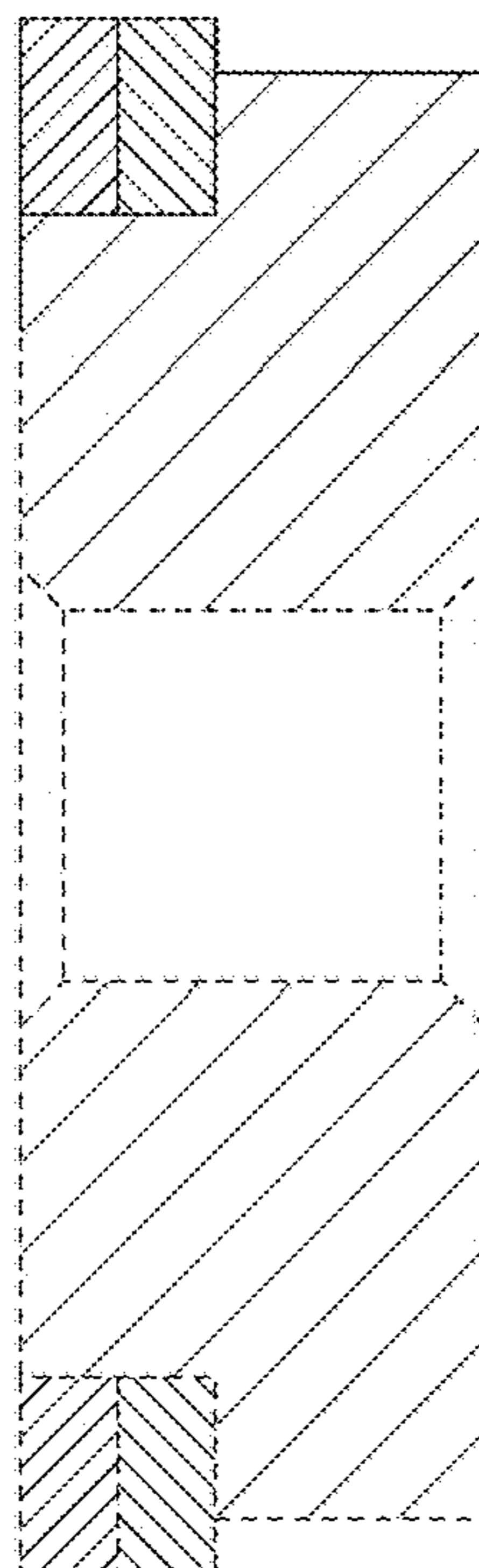


FIG.13

