



US00D862541S

(12) **United States Design Patent** (10) **Patent No.:** **US D862,541 S**  
**Maeda** (45) **Date of Patent:** **\*\* Oct. 8, 2019**

(54) **THROW-AWAY TIP FOR CUTTING TOOL**

FOREIGN PATENT DOCUMENTS

(71) Applicant: **SUMITOMO ELECTRIC SINTERED ALLOY, LTD.**,  
Takahashi-shi (JP)

JP 1553247 S 7/2016  
JP 1553248 S 7/2016  
(Continued)

(72) Inventor: **Kazuo Maeda**, Takahashi (JP)

OTHER PUBLICATIONS

(73) Assignee: **SUMITOMO ELECTRIC SINTERED ALLOY, LTD.**,  
Takahashi-Shi (JP)

Notice in counterpart Japanese Design Application No. 2016-020991 dated Dec. 12, 2016.  
(Continued)

(\*\*) Term: **15 Years**

*Primary Examiner* — Patricia A Palasik  
(74) *Attorney, Agent, or Firm* — Baker Botts L.L.P.;  
Michael A. Sartori

(21) Appl. No.: **29/664,207**

(22) Filed: **Sep. 24, 2018**

(57) **CLAIM**

The ornamental design for a throw-away tip for cutting tool, as shown and described.

**Related U.S. Application Data**

(62) Division of application No. 29/598,868, filed on Mar. 29, 2017, now Pat. No. Des. 841,704.

**DESCRIPTION**

(30) **Foreign Application Priority Data**

Sep. 29, 2016 (JP) ..... 2016-020991  
Sep. 29, 2016 (JP) ..... 2016-020992  
(Continued)

FIG. 1 is a front view of an embodiment of a throw-away tip for cutting tool showing my new design;  
FIG. 2 is a rear view thereof;  
FIG. 3 is a top view thereof;  
FIG. 4 is a bottom view thereof;  
FIG. 5 is a right side view thereof;  
FIG. 6 is a left side view thereof;  
FIG. 7 is a first perspective view thereof;  
FIG. 8 is a second perspective view thereof;  
FIG. 9 is a cross sectional view taken along line IX-IX of FIG. 1; and,  
FIG. 10 is a referential view showing the state in which a workpiece is machined with the throw-away tip for cutting tool according to the embodiment attached to a holder. The portions indicated by the solid line are portions for which a design registration as a partial design is sought. The broken lines in the drawings depict portions of the throw-away tip for cutting tool and unclaimed environmental subject matter. The long dashed and short dashed ones  
(Continued)

(51) **LOC (12) Cl.** ..... **15-09**

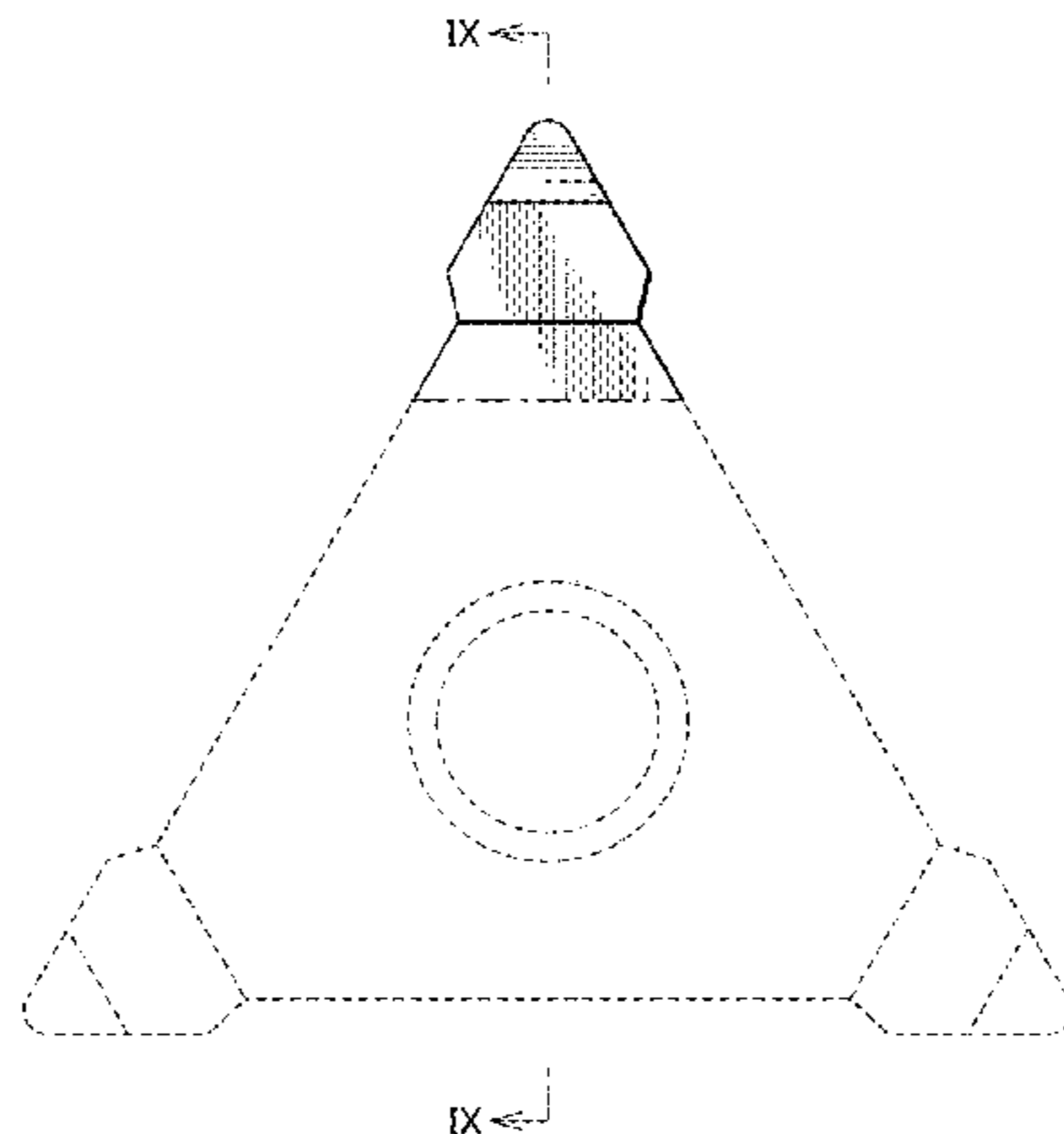
(52) **U.S. Cl.**  
USPC ..... **D15/139**

(58) **Field of Classification Search**  
USPC ..... D8/20, 70; D15/126, 131, 138, 139, 140  
(Continued)

(56) **References Cited**

U.S. PATENT DOCUMENTS

D271,497 S 11/1983 Green  
4,507,023 A 3/1985 Shikata  
(Continued)



shown in the drawings indicate only a boundary between the claimed portion and the unclaimed portion.

**1 Claim, 5 Drawing Sheets**

(30) **Foreign Application Priority Data**

Sep. 29, 2016 (JP) ..... 2016-020993  
 Sep. 29, 2016 (JP) ..... 2016-020994

(58) **Field of Classification Search**

CPC ..... B23C 5/109; B23C 5/207  
 See application file for complete search history.

(56) **References Cited**

U.S. PATENT DOCUMENTS

D475,376 S 6/2003 Sikstrom et al.  
 D475,377 S 6/2003 Sikstrom et al.  
 D475,379 S 6/2003 Sikstrom et al.  
 D475,723 S 6/2003 Sikstrom et al.  
 D475,724 S 6/2003 Sikstrom et al.  
 D475,725 S 6/2003 Sikstrom et al.  
 D476,019 S 6/2003 Sikstrom et al.  
 D541,321 S 4/2007 Sjoo et al.

D595,322 S 6/2009 Sakata et al.  
 D595,323 S 6/2009 Sakata et al.  
 D595,751 S 7/2009 Sakata et al.  
 D664,168 S 7/2012 Okamura et al.  
 D787,578 S 5/2017 Watanobe et al.  
 D841,704 S \* 2/2019 Maeda ..... D15/139  
 D842,909 S \* 3/2019 Maeda ..... D15/139  
 2002/0146292 A1 10/2002 Shimizu  
 2007/0280790 A1 12/2007 Kovac  
 2010/0272525 A1 10/2010 Corbin  
 2011/0299948 A1 12/2011 Edler et al.

FOREIGN PATENT DOCUMENTS

JP 1553380 S 7/2016  
 JP 1553381 S 7/2016  
 JP 1553382 S 7/2016  
 JP 1553383 S 7/2016  
 JP 1553384 S 7/2016  
 JP 1556315 S 8/2016  
 JP 1556316 S 8/2016  
 JP 1556536 S 8/2016

OTHER PUBLICATIONS

Notice in counterpart Japanese Design Application No. 2016-020992 dated Dec. 12, 2016.

\* cited by examiner

FIG.1

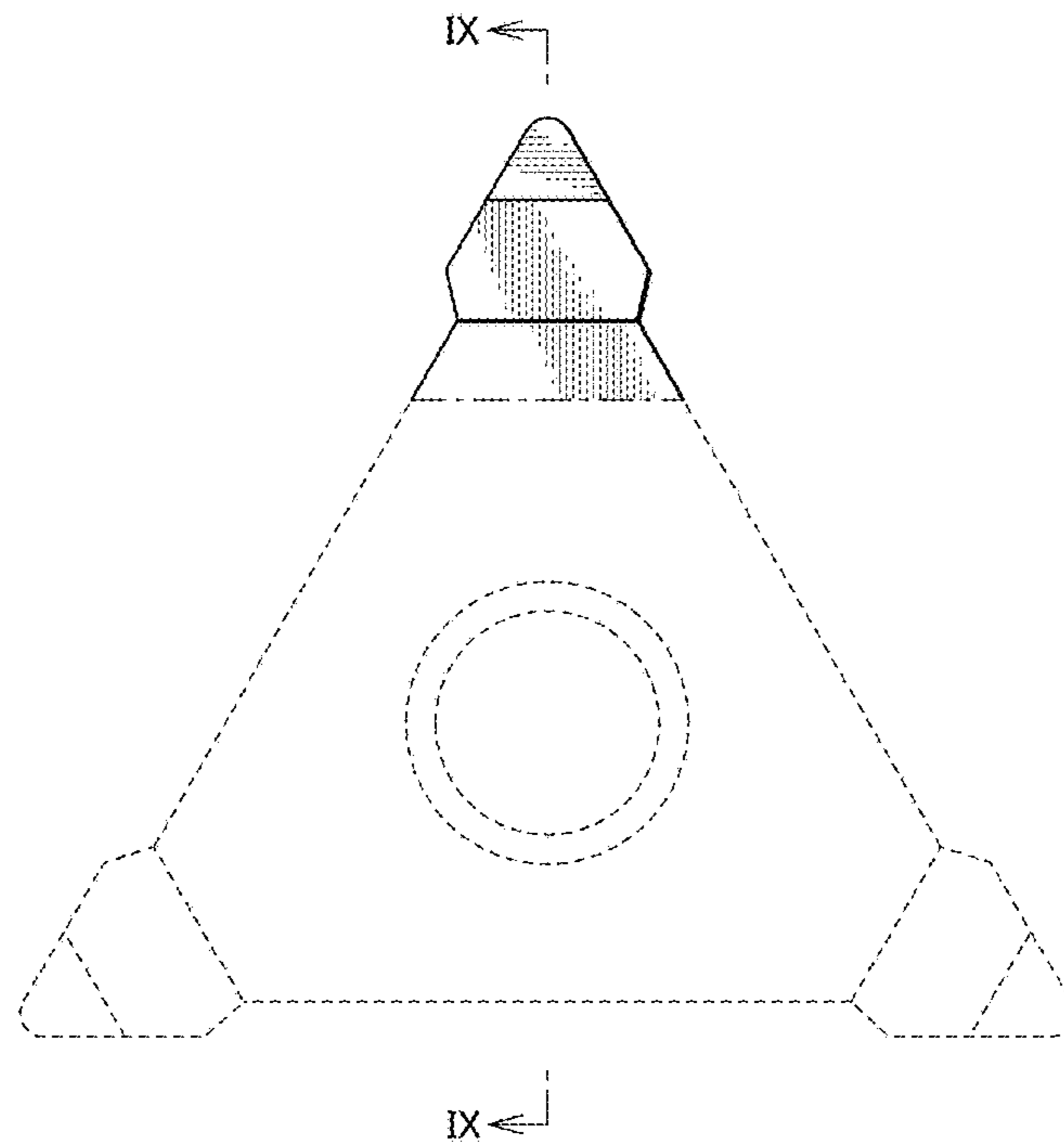


FIG.2

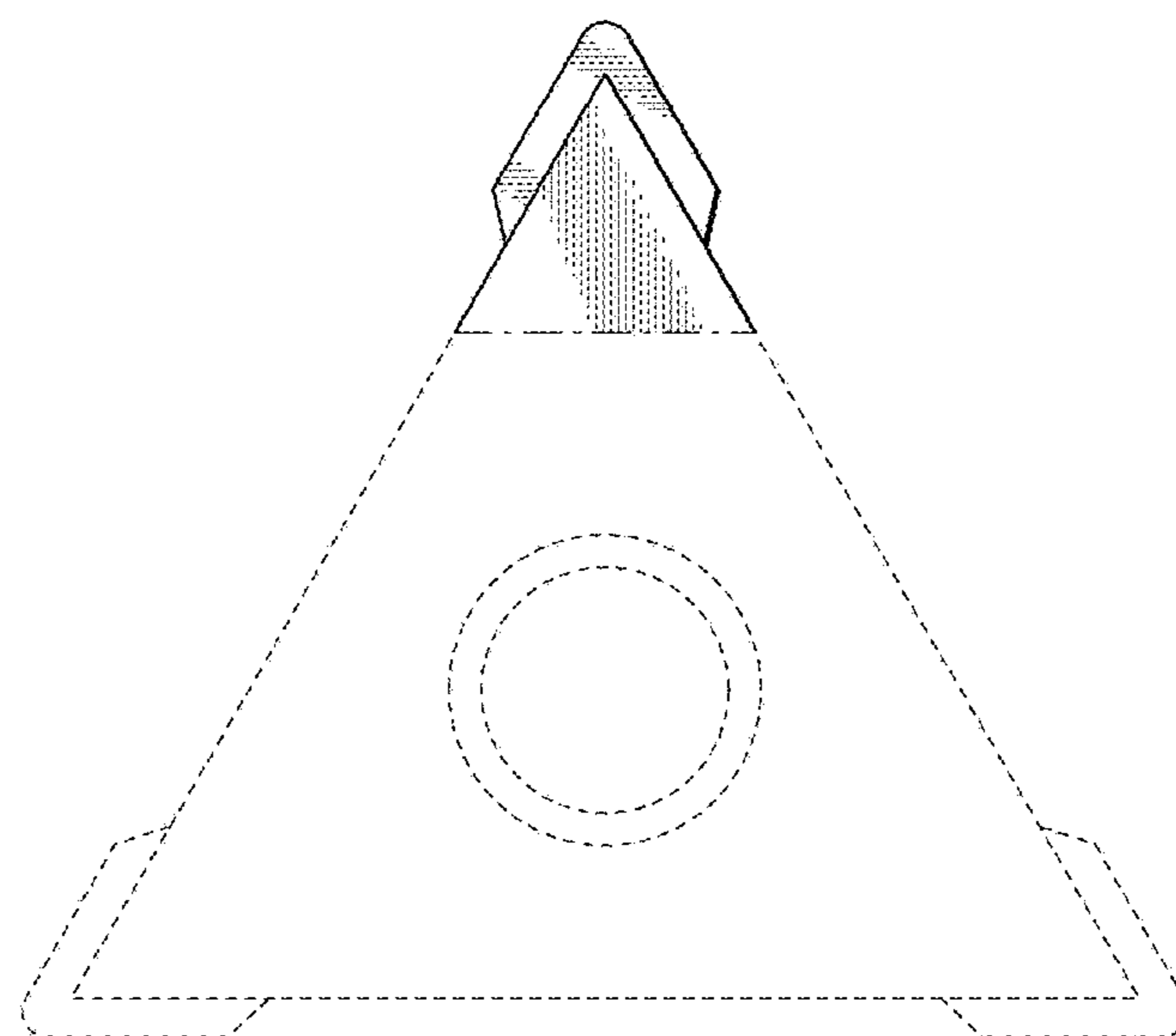


FIG.3

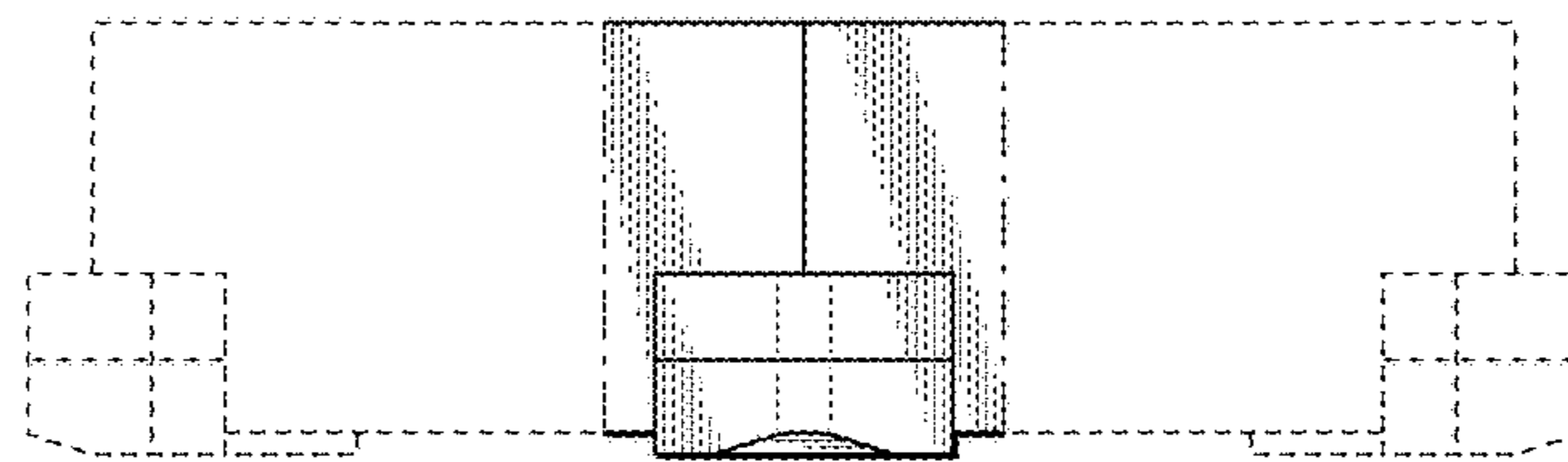


FIG.4



FIG.5

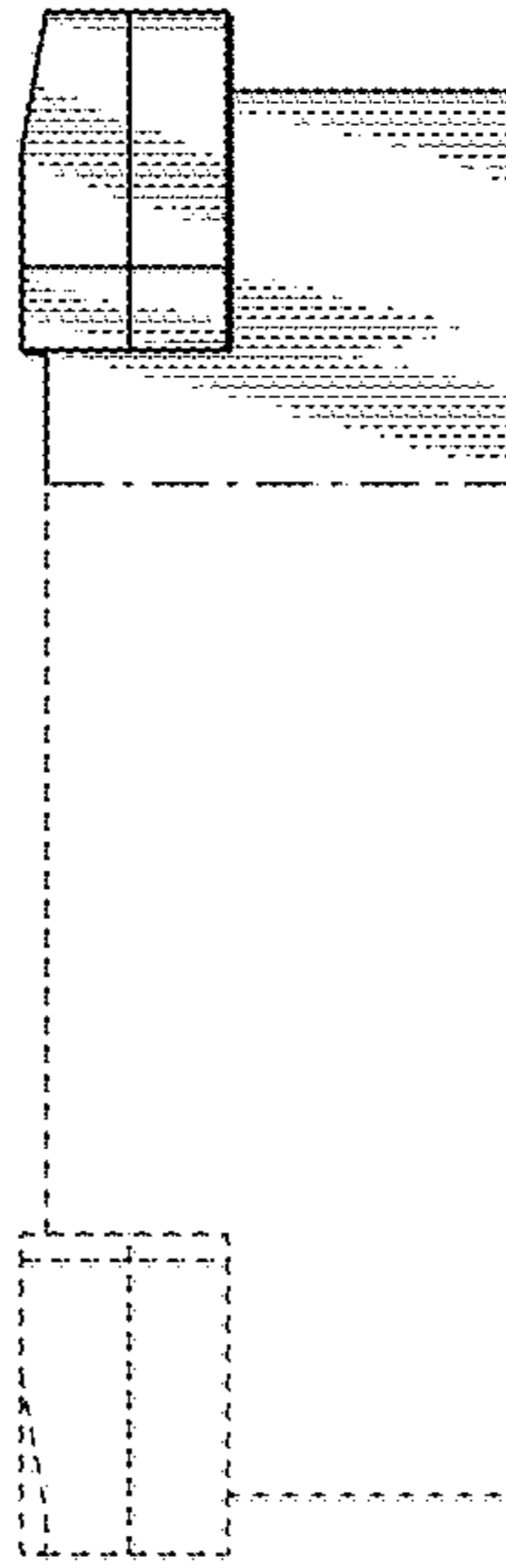


FIG.6

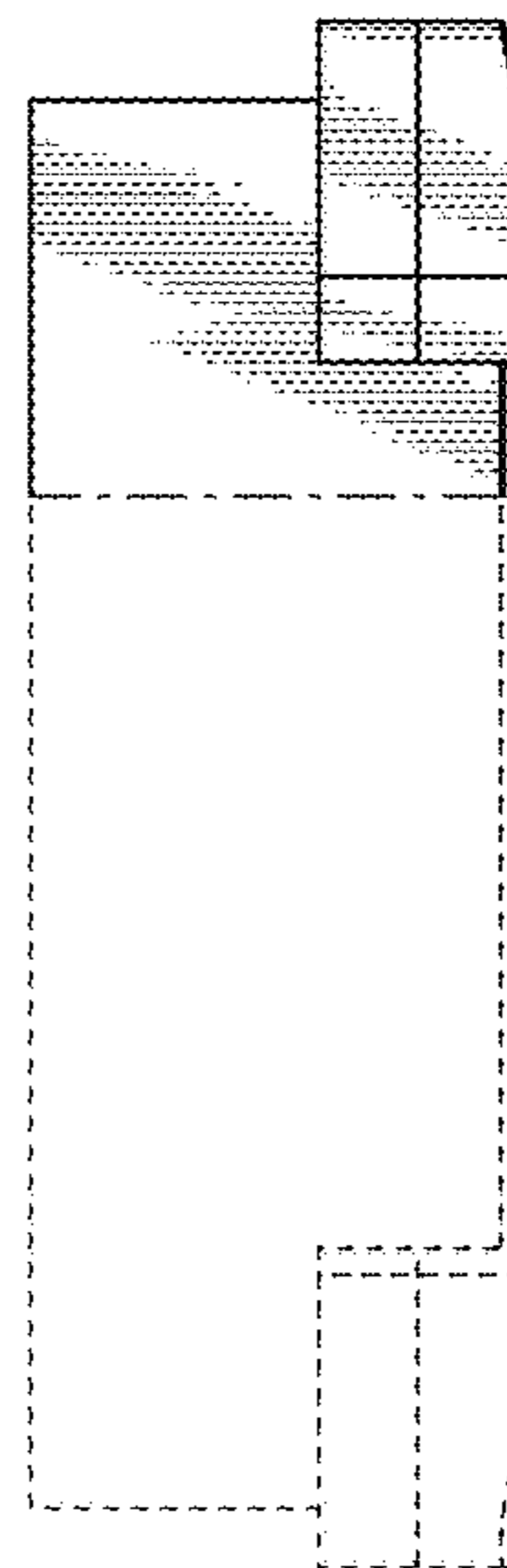


FIG.7

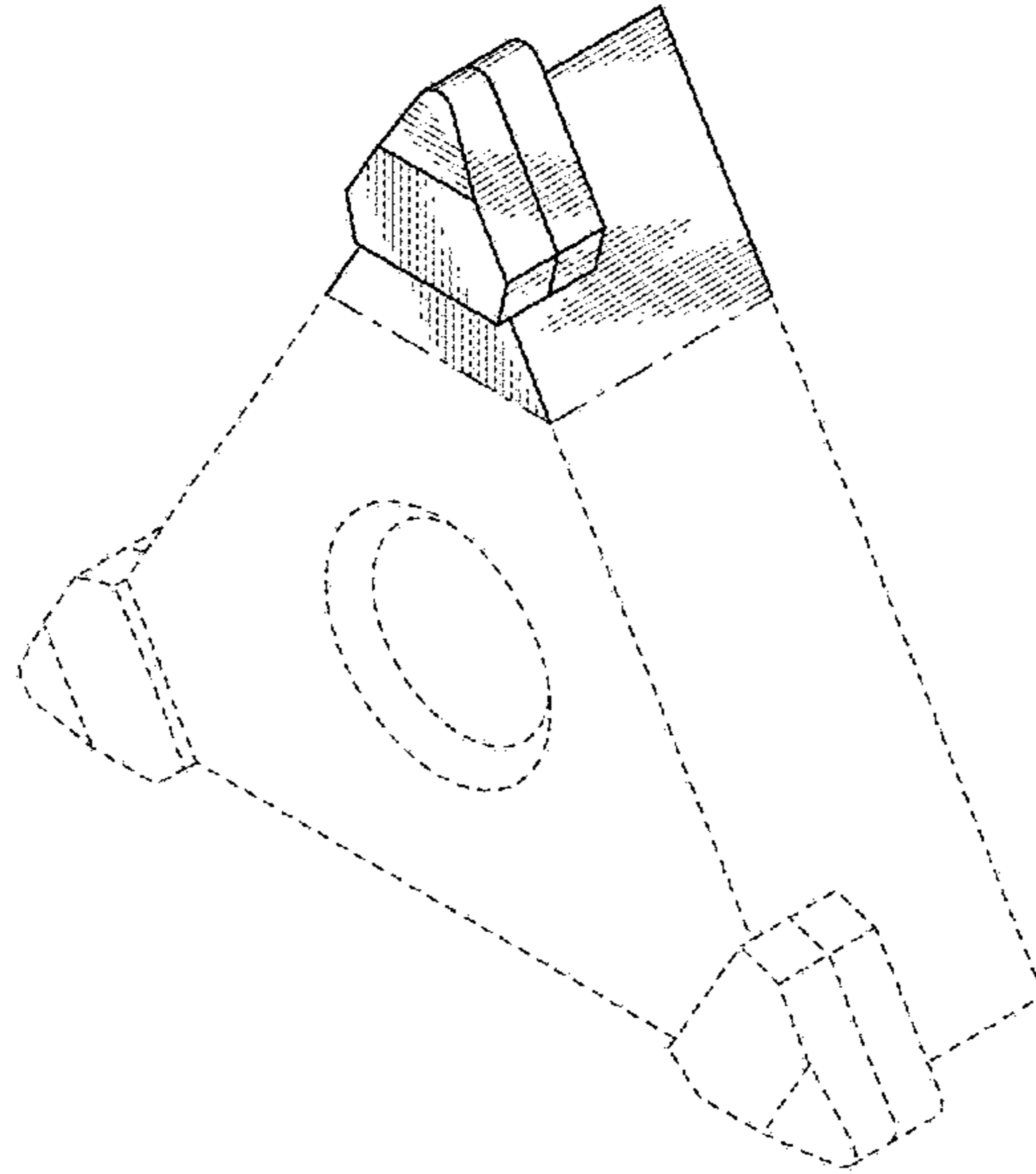


FIG.8

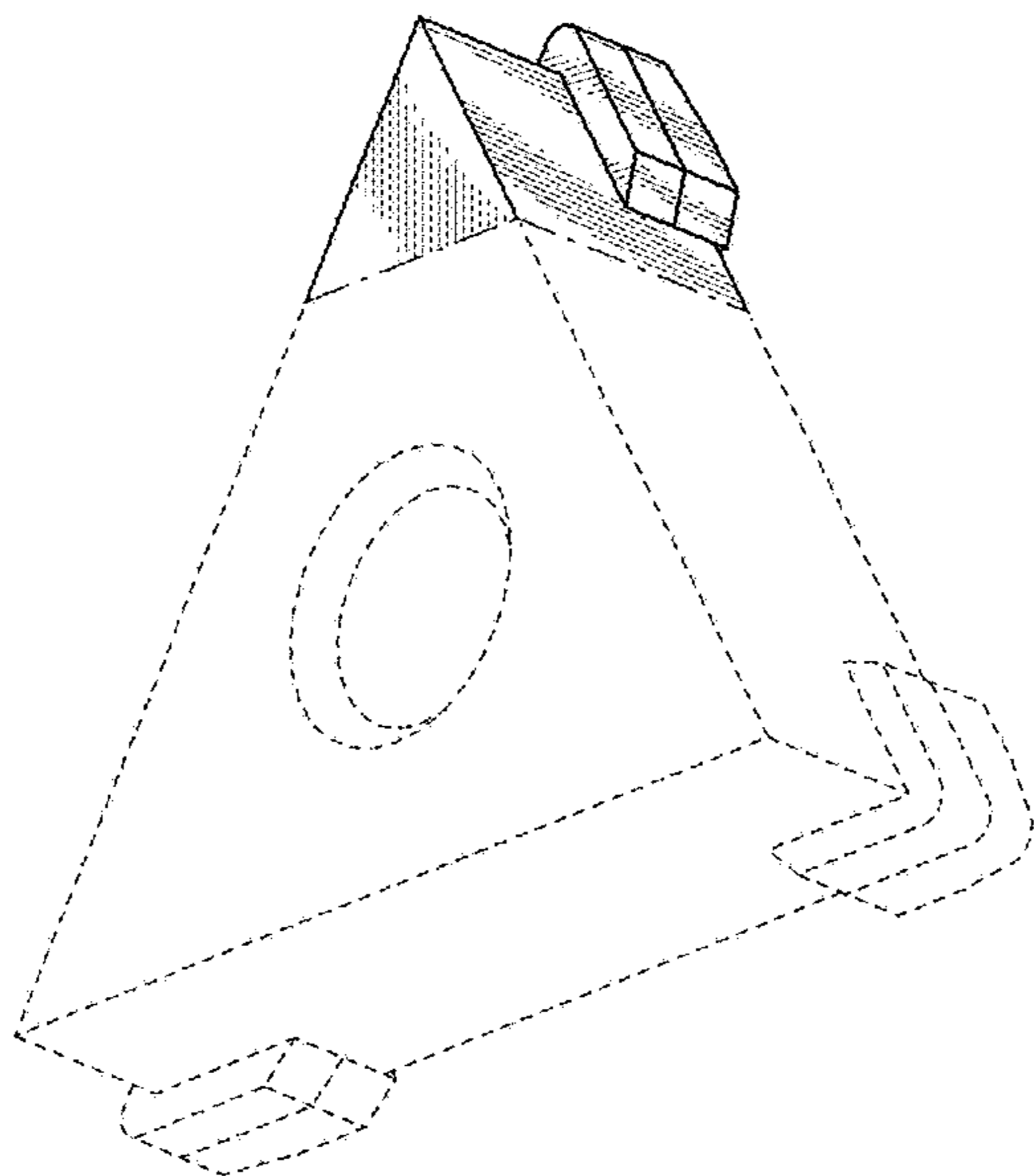


FIG.9

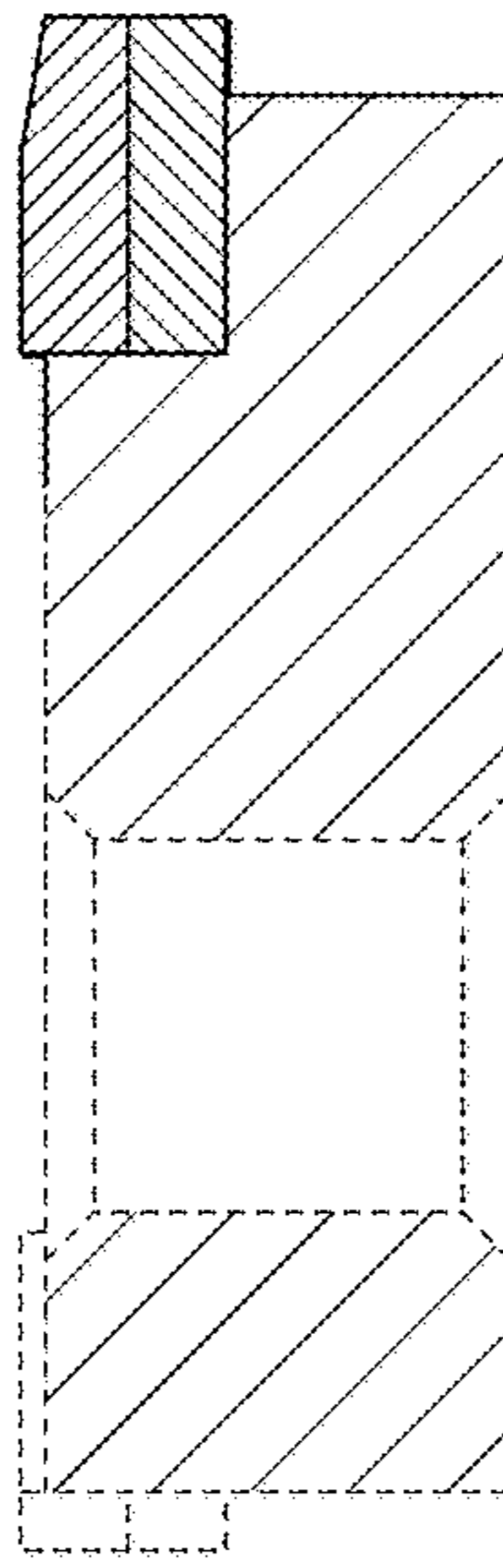


FIG.10

