



US00D862539S

(12) **United States Design Patent**
Wood

(10) **Patent No.:** **US D862,539 S**

(45) **Date of Patent:** **** *Oct. 8, 2019**

(54) **REGISTER GEAR ADAPTER PLATE**

(71) Applicant: **Liqua-Tech Corporation**, Ukiah, CA (US)

(72) Inventor: **David Neal Wood**, Ukiah, CA (US)

(73) Assignee: **LIQUA-TECH CORPORATION**, Ukiah, CA (US)

(*) Notice: This patent is subject to a terminal disclaimer.

(**) Term: **15 Years**

(21) Appl. No.: **29/628,366**

(22) Filed: **Dec. 4, 2017**

(51) **LOC (12) Cl.** **15-09**

(52) **U.S. Cl.**
USPC **D15/138**

(58) **Field of Classification Search**
USPC D8/70, 354; D15/7, 138
CPC F16K 31/04; F16K 31/05; F16K 31/043
See application file for complete search history.

(56) **References Cited**

U.S. PATENT DOCUMENTS

4,826,458	A *	5/1989	Irwin	B60F 3/003
					440/37
D305,022	S *	12/1989	Hallgren	D13/171
6,589,352	B1 *	7/2003	Yudovsky	C23C 16/4585
					118/500
D571,831	S *	6/2008	Ota	D15/138
D571,833	S *	6/2008	Ota	D15/138
D572,733	S *	7/2008	Ota	D15/138
D582,949	S *	12/2008	Yamashita	D15/138
D583,395	S *	12/2008	Ueda	D15/138
D593,585	S *	6/2009	Ota	D15/138
D616,394	S *	5/2010	Sato	D13/182
D699,200	S *	2/2014	Nagakubo	D13/182

D734,377 S * 7/2015 Hirakida D15/138
D825,504 S * 8/2018 Zhang D13/182
D836,572 S * 12/2018 Riker D13/182

(Continued)

Primary Examiner — Patricia A Palasik

(74) *Attorney, Agent, or Firm* — Kilpatrick Townsend & Stockton LLP

(57) **CLAIM**

The ornamental design for a register gear adapter plate, as shown and described.

DESCRIPTION

The file for this patent or application contains a least one drawing executed in color. Copies of this patent or patent application publication with color drawing(s) will be provided by the Office upon request and payment of the necessary fee.

FIG. 1 is a front perspective view of a register gear adapter plate in a yellow color, showing my new design;

FIG. 2 is a back perspective view thereof;

FIG. 3 is a front view thereof;

FIG. 4 is a rear view thereof;

FIG. 5 is a top view thereof;

FIG. 6 is a bottom view thereof;

FIG. 7 is a right view thereof;

FIG. 8 is a left view thereof;

FIG. 9 is a front perspective view of a black and white line drawing variant of the register gear adapter plate of FIG. 1;

FIG. 10 is a back perspective view thereof;

FIG. 11 is a front view thereof;

FIG. 12 is a rear view thereof;

FIG. 13 is a top view thereof;

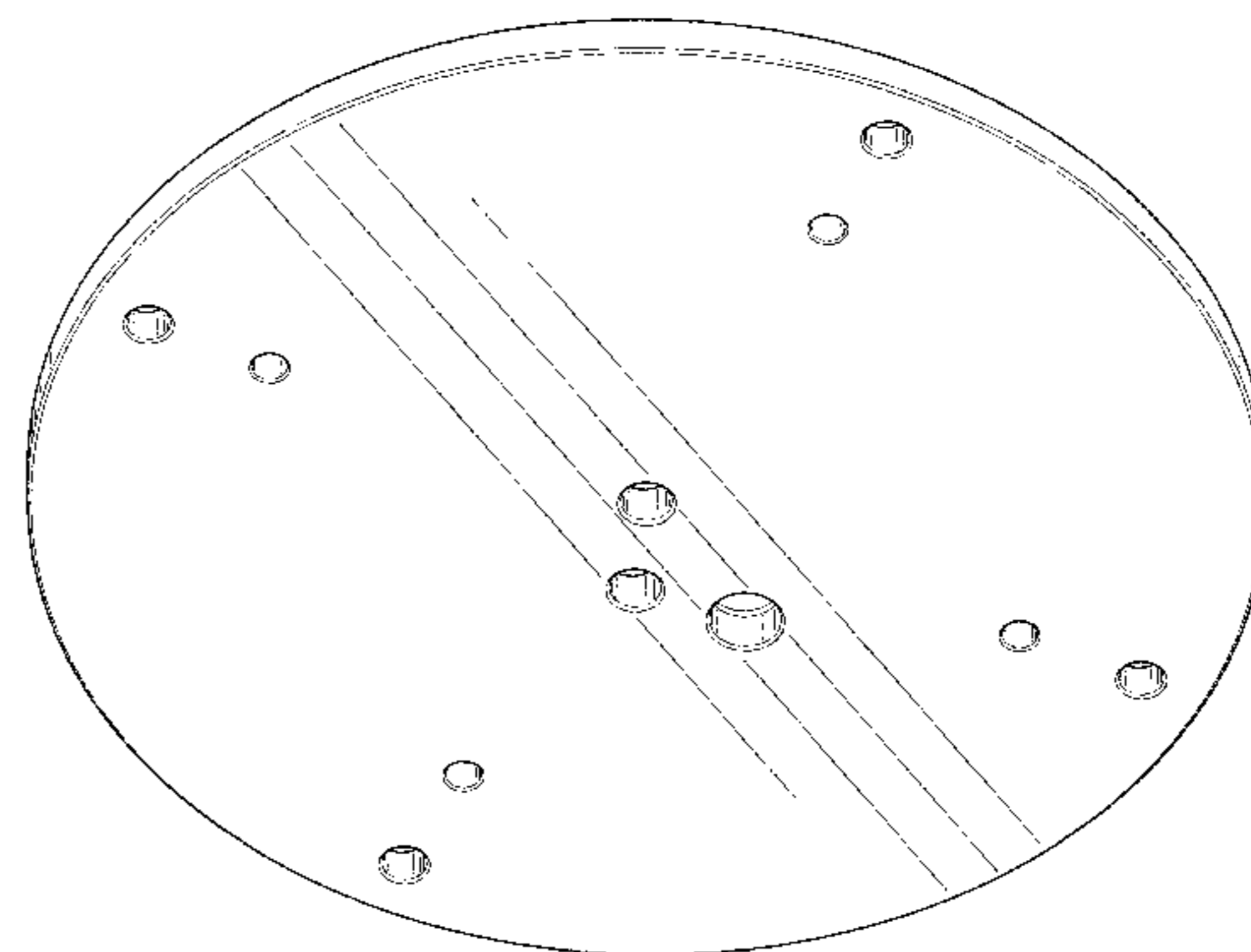
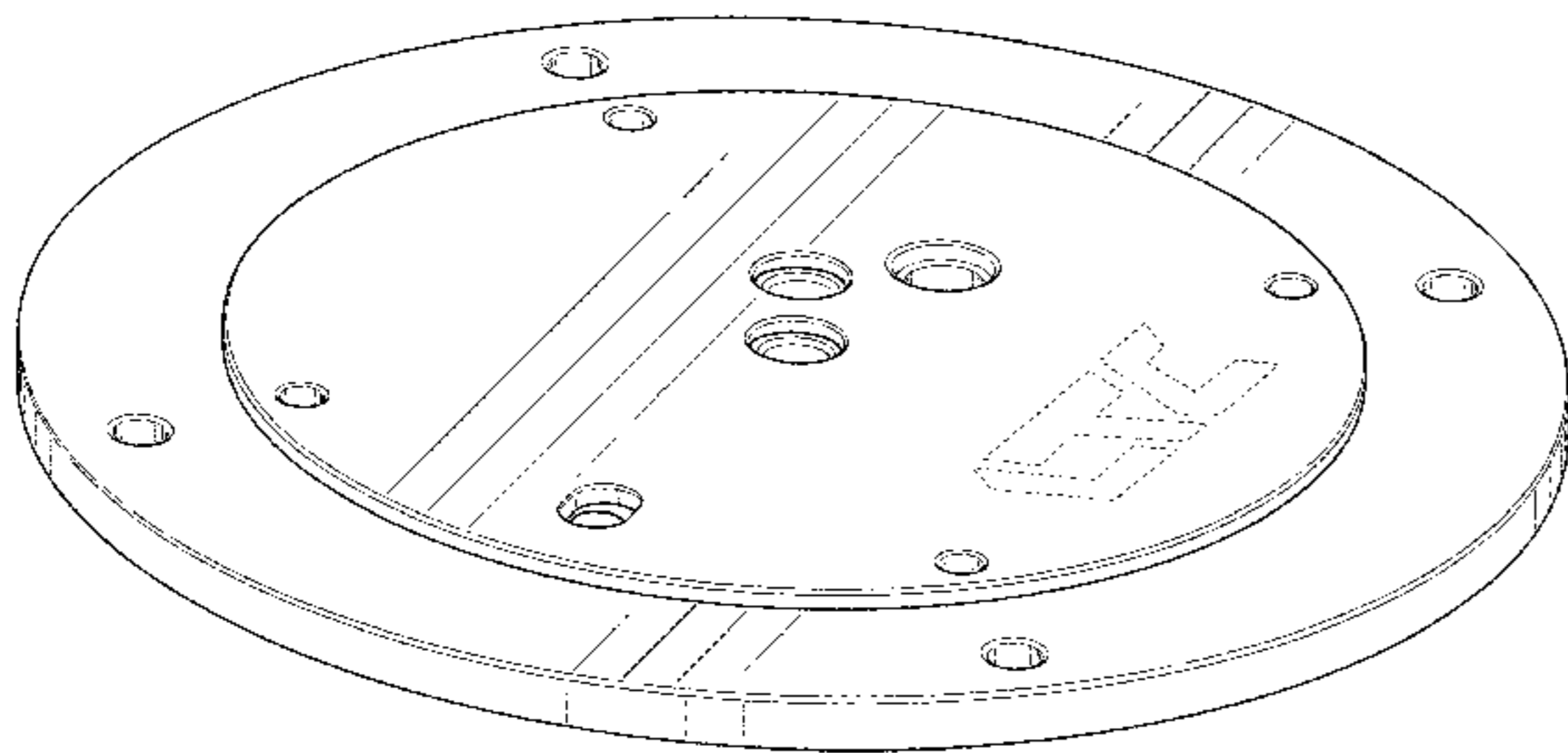
FIG. 14 is a bottom view thereof;

FIG. 15 is a right view thereof; and,

FIG. 16 is a left view thereof.

The broken line showing on the drawing disclosure depicts unclaimed portions of the register gear adapter plate which form no part of the claimed design.

1 Claim, 16 Drawing Sheets
(8 of 16 Drawing Sheet(s) Filed in Color)



(56)

References Cited

U.S. PATENT DOCUMENTS

2008/0048403 A1* 2/2008 Oldberding F16K 31/055
279/2.01
2009/0120520 A1* 5/2009 Weiss F16K 11/0743
137/625.46
2010/0282010 A1* 11/2010 Hopkins F16H 57/025
74/411.5
2011/0226001 A1* 9/2011 Kannoo F16K 11/074
62/324.6
2011/0240893 A1* 10/2011 Windgassen H02K 5/1675
251/129.13
2011/0286872 A1* 11/2011 McGuffey F04C 2/14
418/175
2016/0305534 A1* 10/2016 Collins F16H 57/025
2017/0009367 A1* 1/2017 Harris C25D 17/001
2018/0073655 A1* 3/2018 Miyachi F01L 1/047
2018/0149282 A1* 5/2018 Fowler F16H 19/001
2018/0252329 A1* 9/2018 Liu F16K 31/04

* cited by examiner

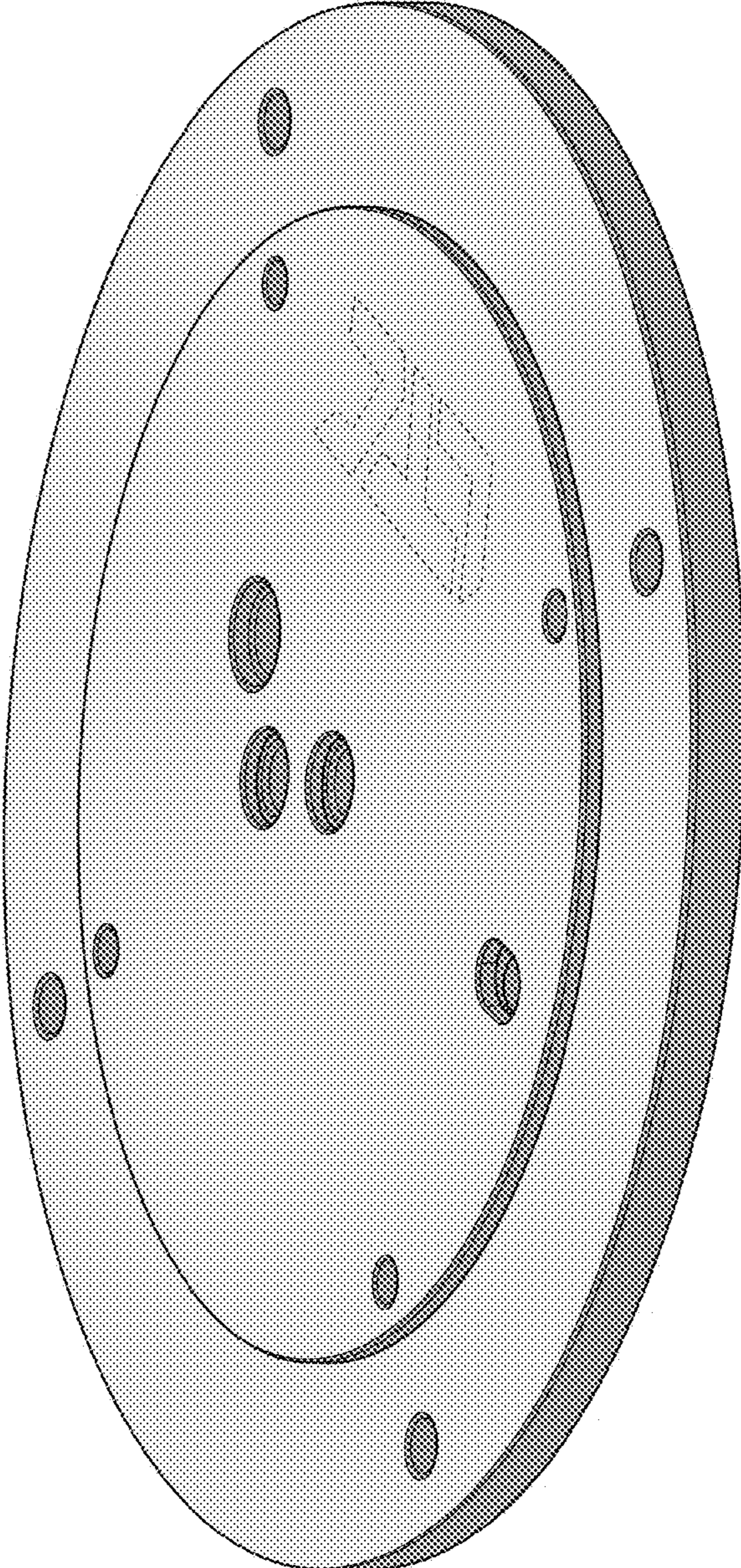


FIG. 1

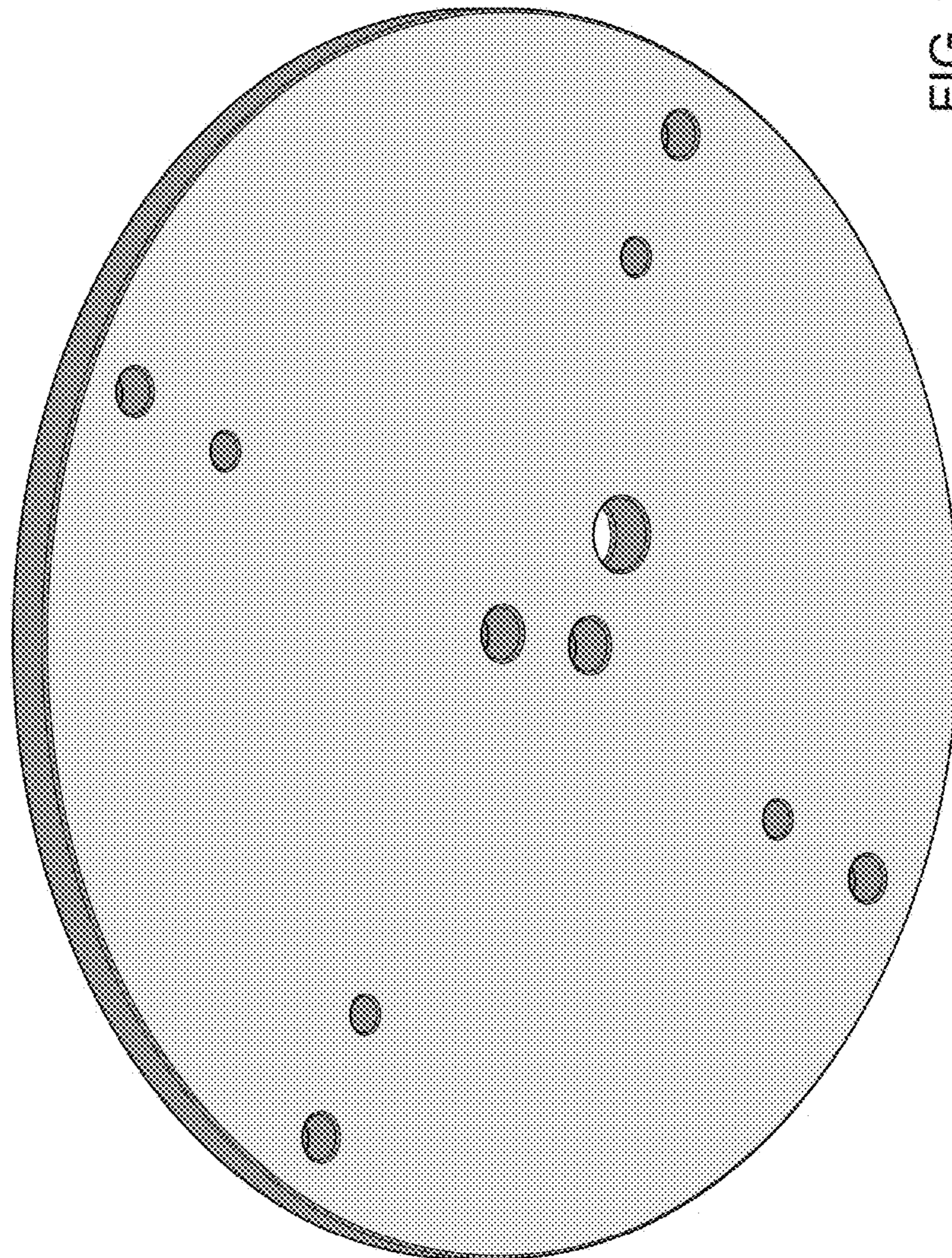


FIG. 2

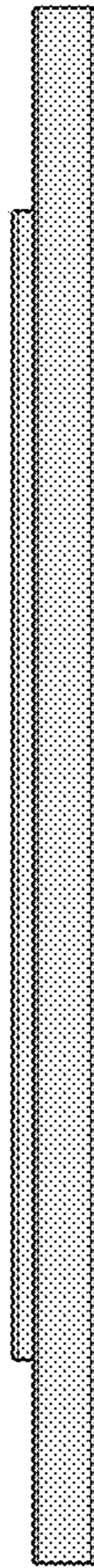


FIG. 3

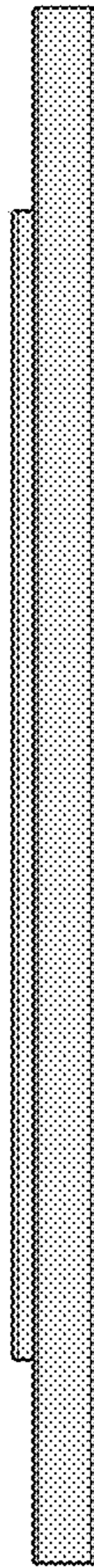


FIG. 4

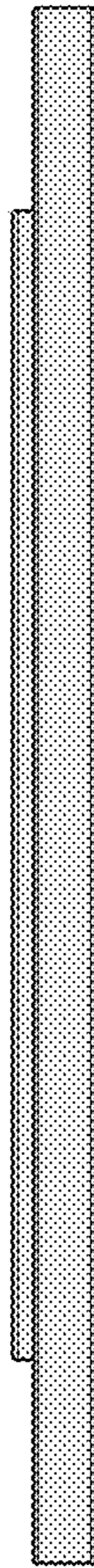


FIG. 5

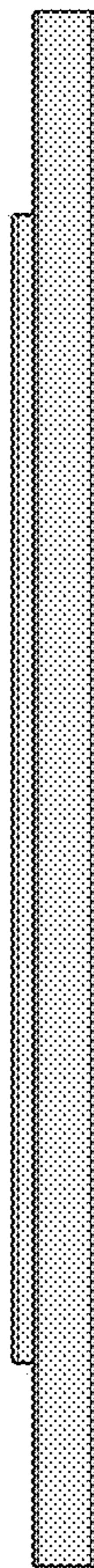


FIG. 6

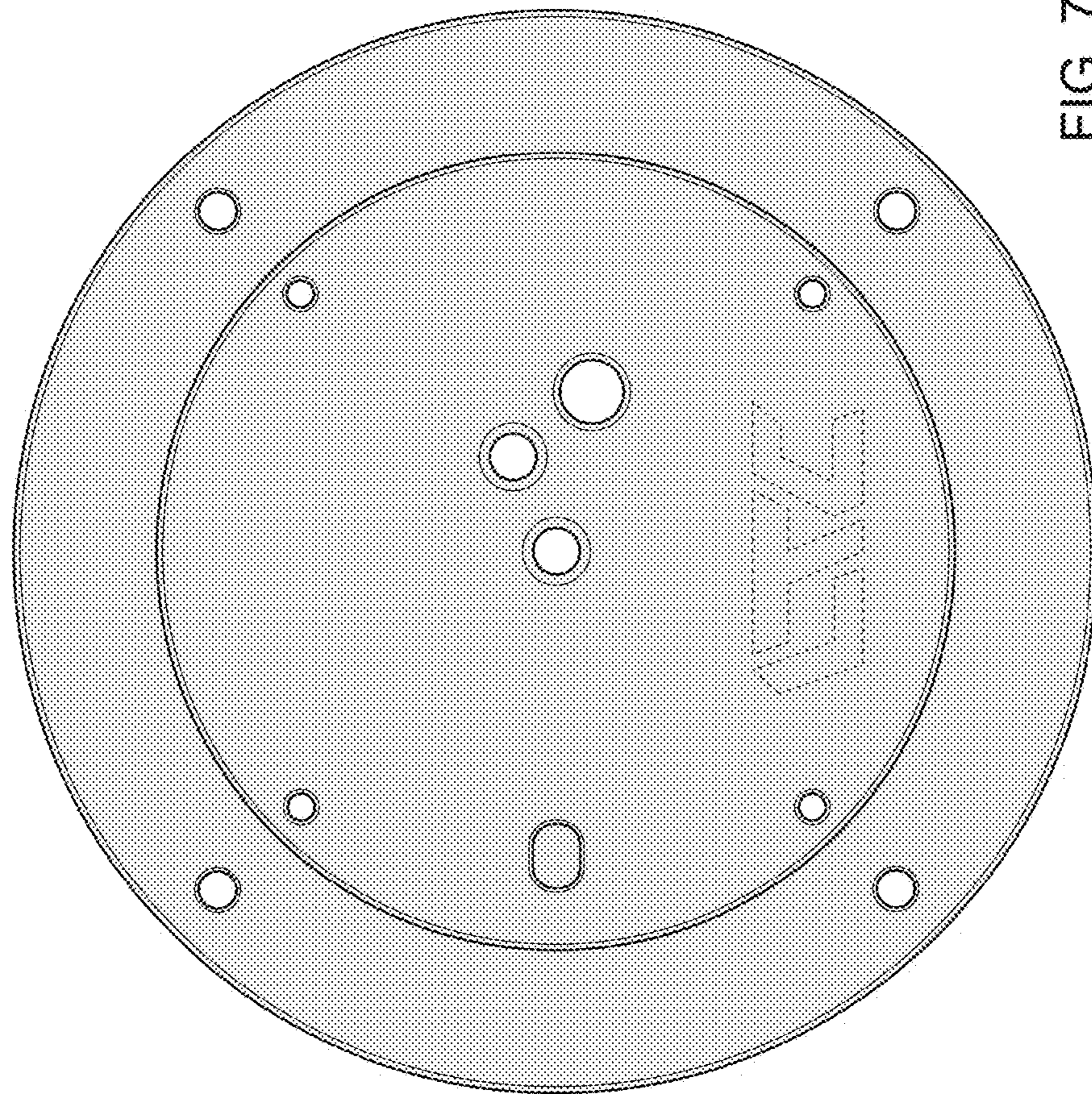


FIG. 7

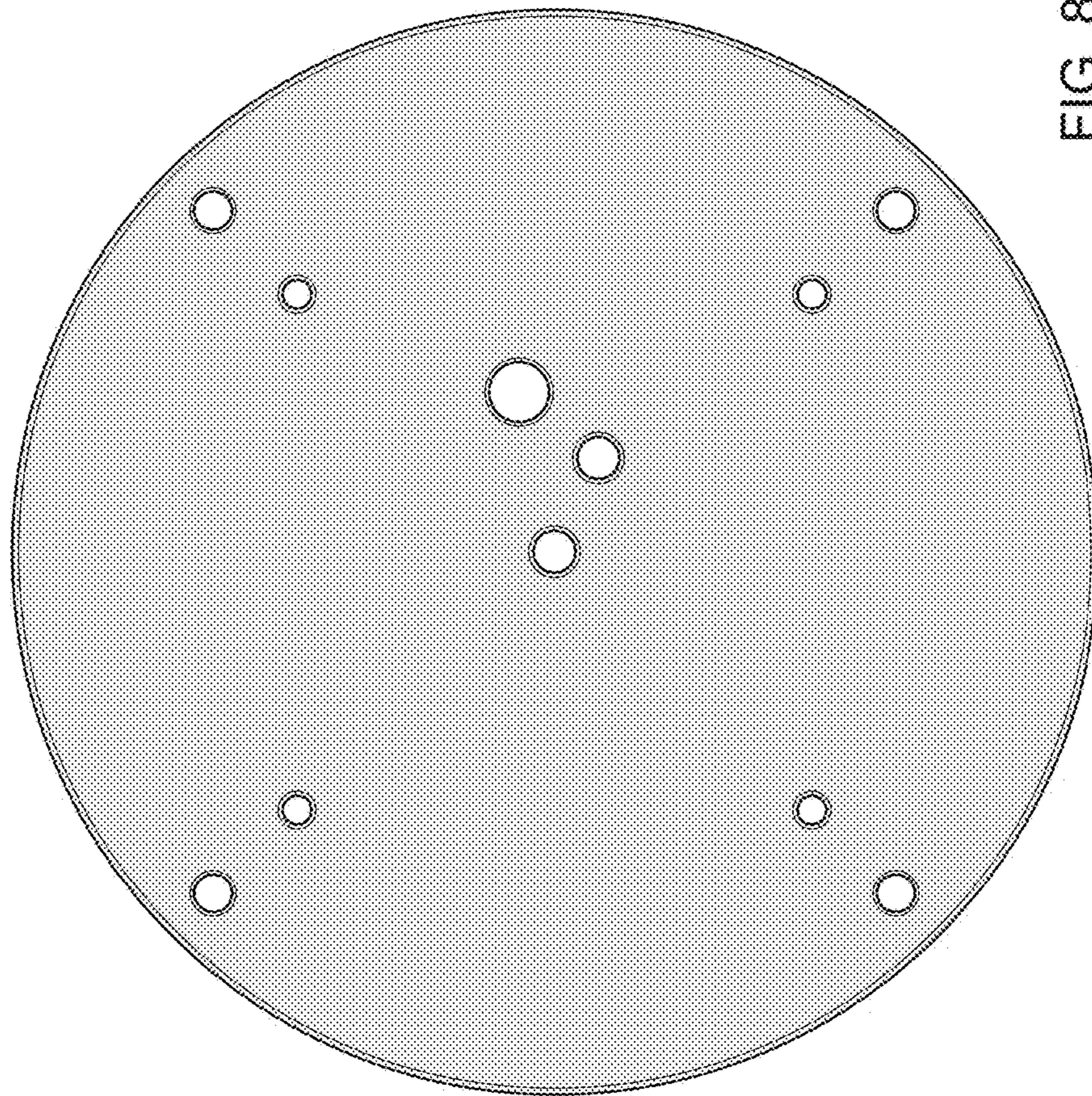


FIG. 8

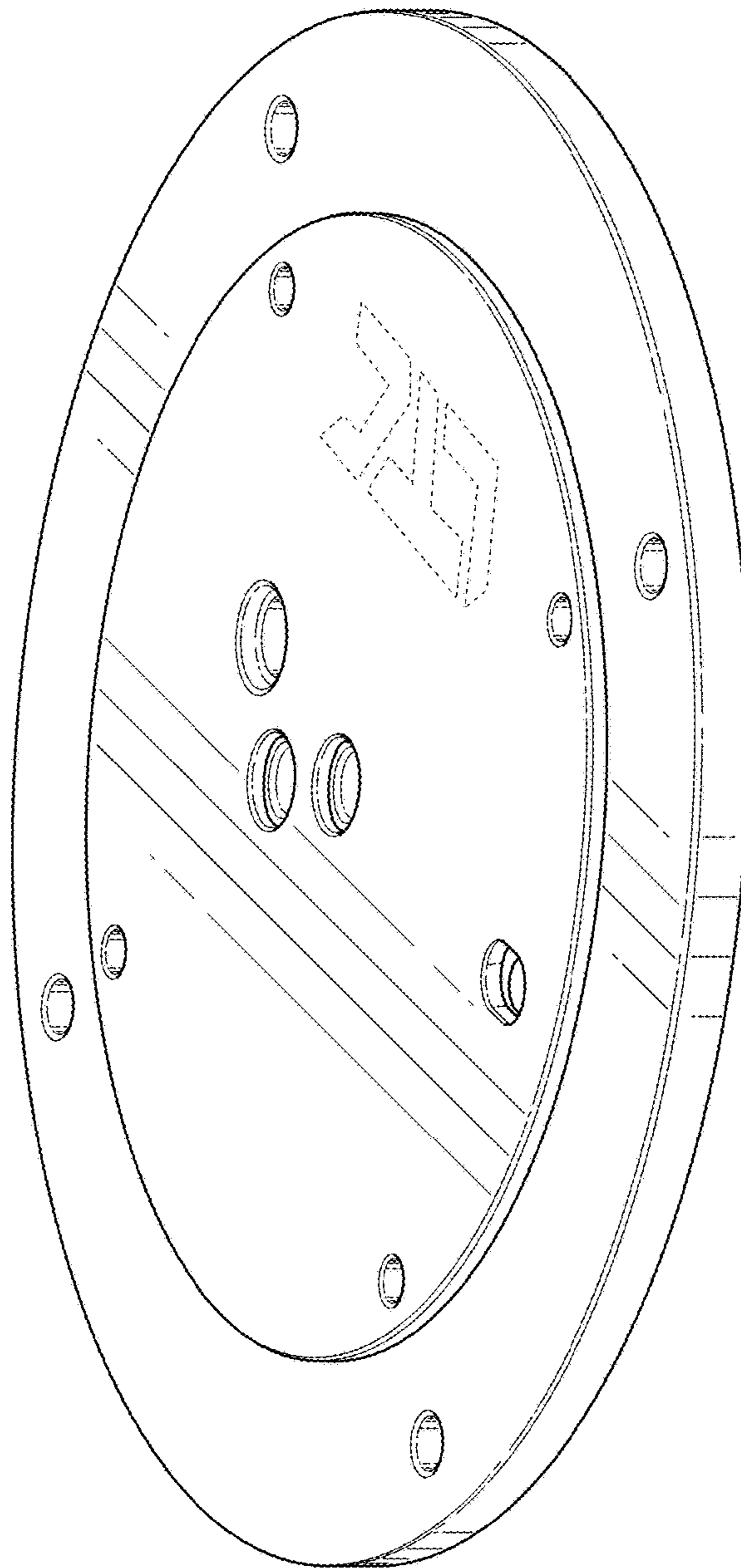


FIG. 9

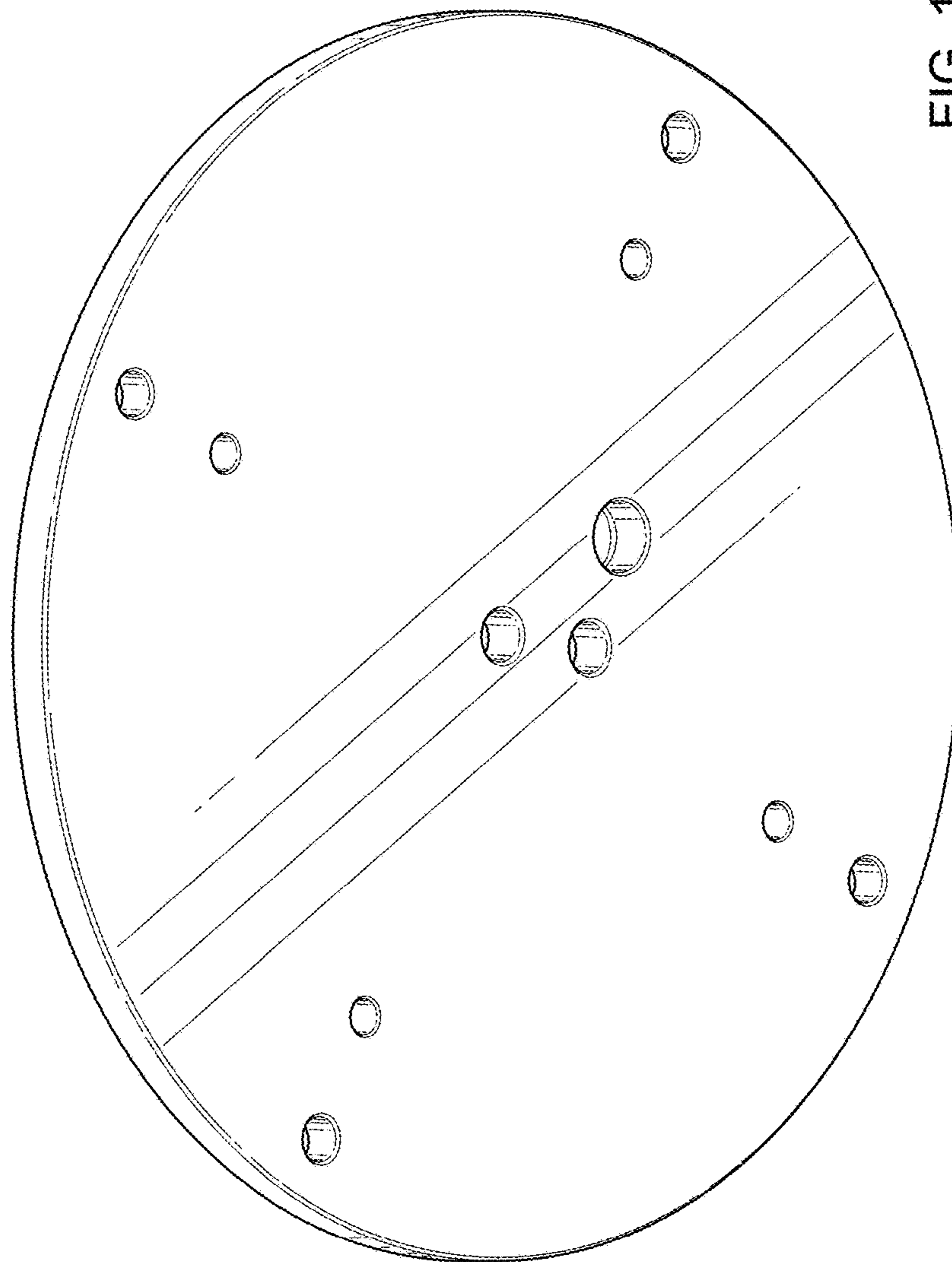


FIG. 10



FIG. 11



FIG. 12



FIG. 13



FIG. 14

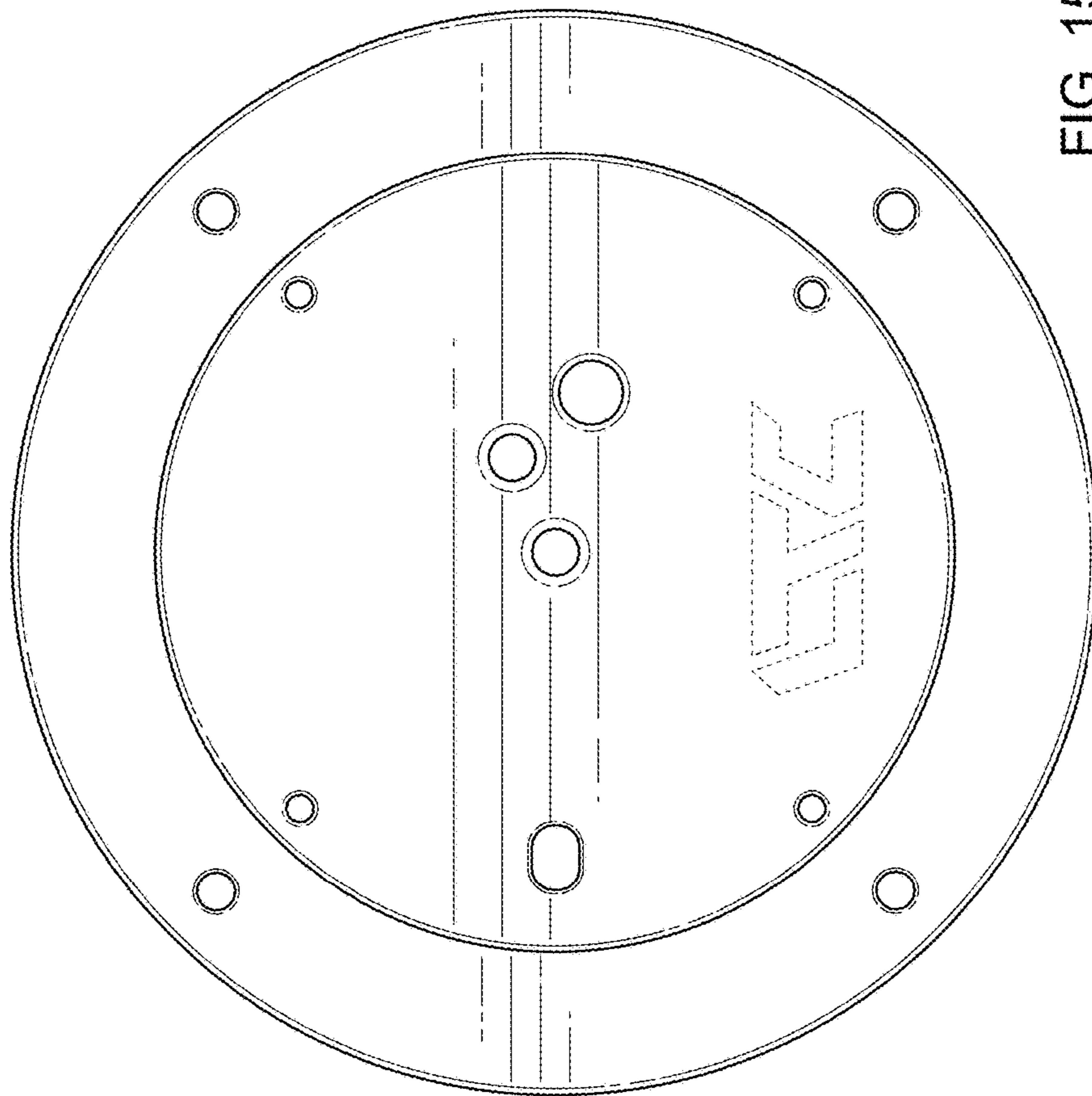


FIG. 15

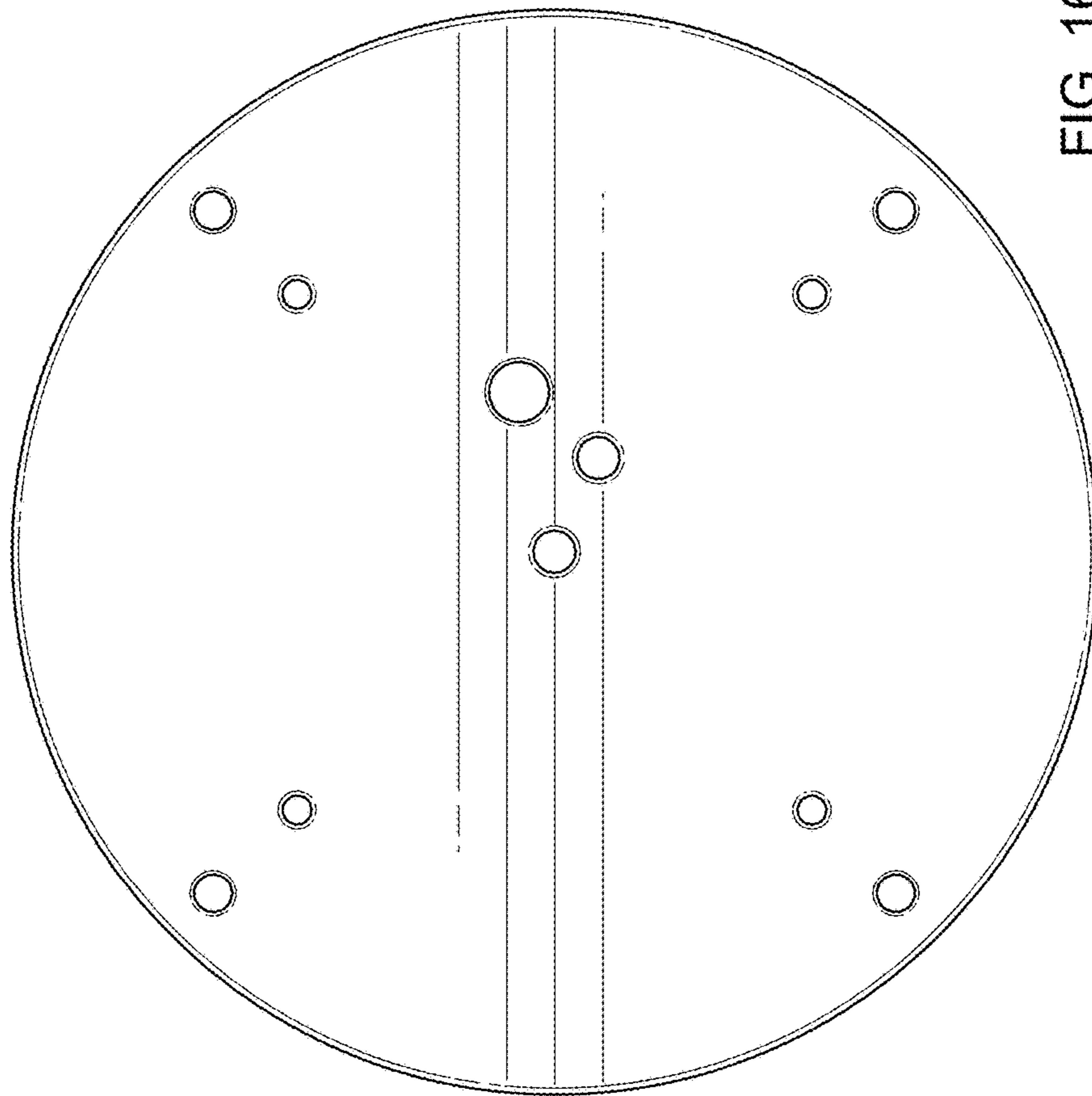


FIG. 16