



US00D862537S

(12) **United States Design Patent** (10) **Patent No.:** **US D862,537 S**
Larose (45) **Date of Patent:** **** Oct. 8, 2019**

(54) **GRINDER**
(71) Applicant: **10660469 Canada Inc.**, Aurora (CA)
(72) Inventor: **Justin Ronald Brady Larose**, Aurora (CA)
(73) Assignee: **10660469 Canada Inc.**, Aurora, Ontario (CA)
(**) Term: **15 Years**
(21) Appl. No.: **29/639,019**
(22) Filed: **Mar. 2, 2018**
(51) **LOC (12) Cl.** **15-03**
(52) **U.S. Cl.**
USPC **D15/123**
(58) **Field of Classification Search**
USPC D15/123; D7/679, 590-600; D27/189, D27/186, 187, 194
CPC B24B 23/028; B24B 23/005; B24B 23/08; B24B 27/0084; B24B 27/02; B24B 27/04; B24B 3/34; B24B 49/006; B24B 49/12; B24B 49/183; B24B 55/00; B24B 9/007
See application file for complete search history.

(56) **References Cited**
U.S. PATENT DOCUMENTS
D474,378 S * 5/2003 Brandenburg D7/679
D755,022 S * 5/2016 Dukat D7/372
D759,438 S * 6/2016 Dukat D7/372
D762,090 S * 7/2016 Grumbacher D7/679
D762,091 S * 7/2016 Grumbacher D7/679
D804,093 S * 11/2017 Chen D27/195
D833,673 S * 11/2018 Booth D27/194

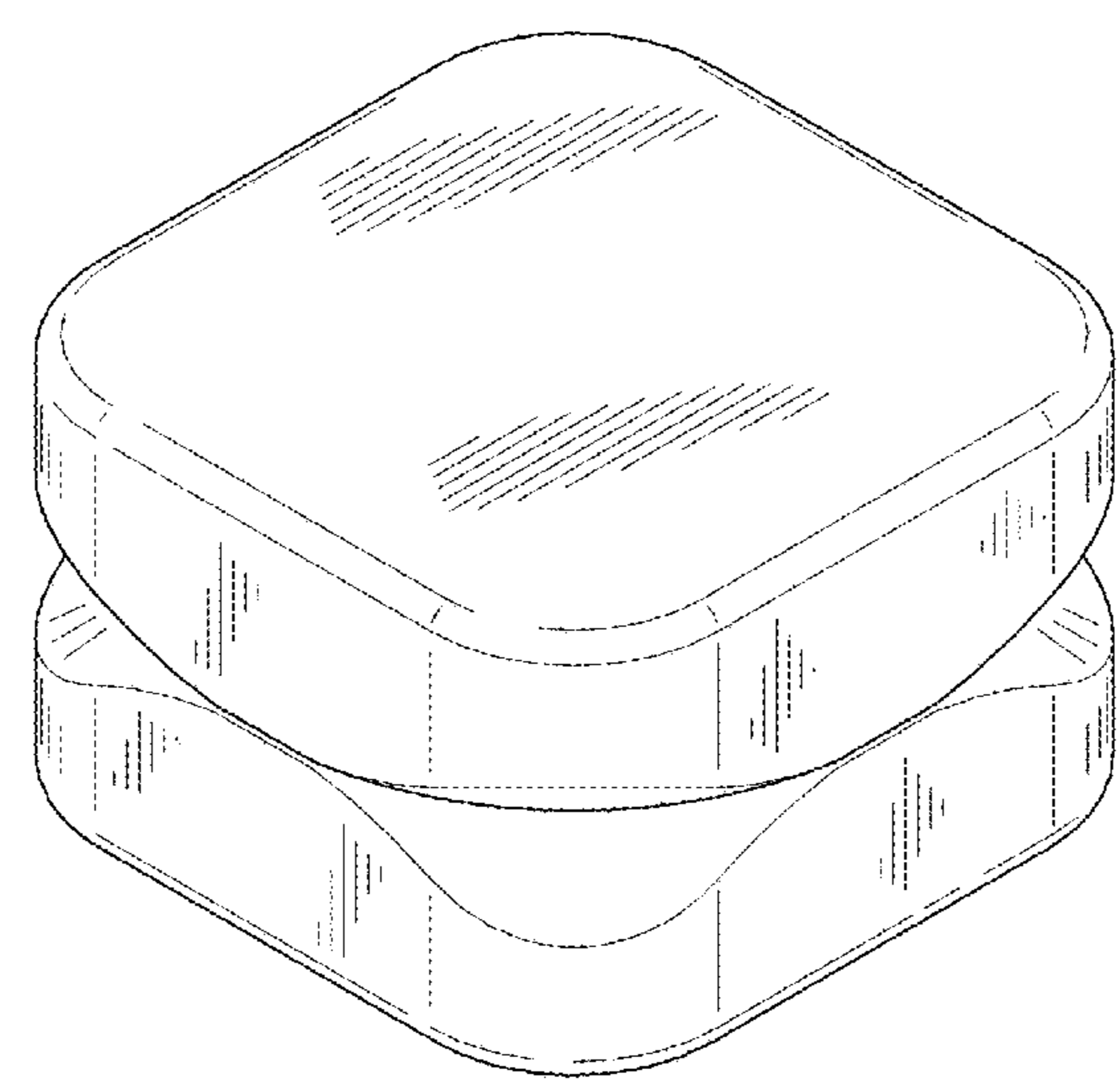
2014/0138465 A1* 5/2014 Yen A24C 5/40 241/69
2016/0100715 A1* 4/2016 Staiano A47J 42/34 241/79
2016/0278430 A1* 9/2016 Shalom A24F 17/00
* cited by examiner

Primary Examiner — Khawaja Anwar
(74) *Attorney, Agent, or Firm* — Rowand LLP

(57) **CLAIM**
The ornamental design for a grinder, as shown and described.

DESCRIPTION
FIG. 1 is an isometric view of an embodiment of a grinder showing my new design;
FIG. 2 is an isometric exploded view of the grinder of FIG. 1 in which top and bottom portions thereof have been separated;
FIG. 3 is a bottom side view of the bottom portion of the grinder of FIG. 1;
FIG. 4 is a top side view of the bottom portion of the grinder of FIG. 1;
FIG. 5 is a bottom side view of the top portion of the grinder of FIG. 1;
FIG. 6 is a top side view of the top portion of the grinder of FIG. 1; and,
FIG. 7 is a typical side view of the grinder of FIG. 1 in which the top and bottom portions thereof have been assembled together.
The broken lines in the figures show portions of the article on which the design is applied that are not considered part of the claimed design.

1 Claim, 7 Drawing Sheets



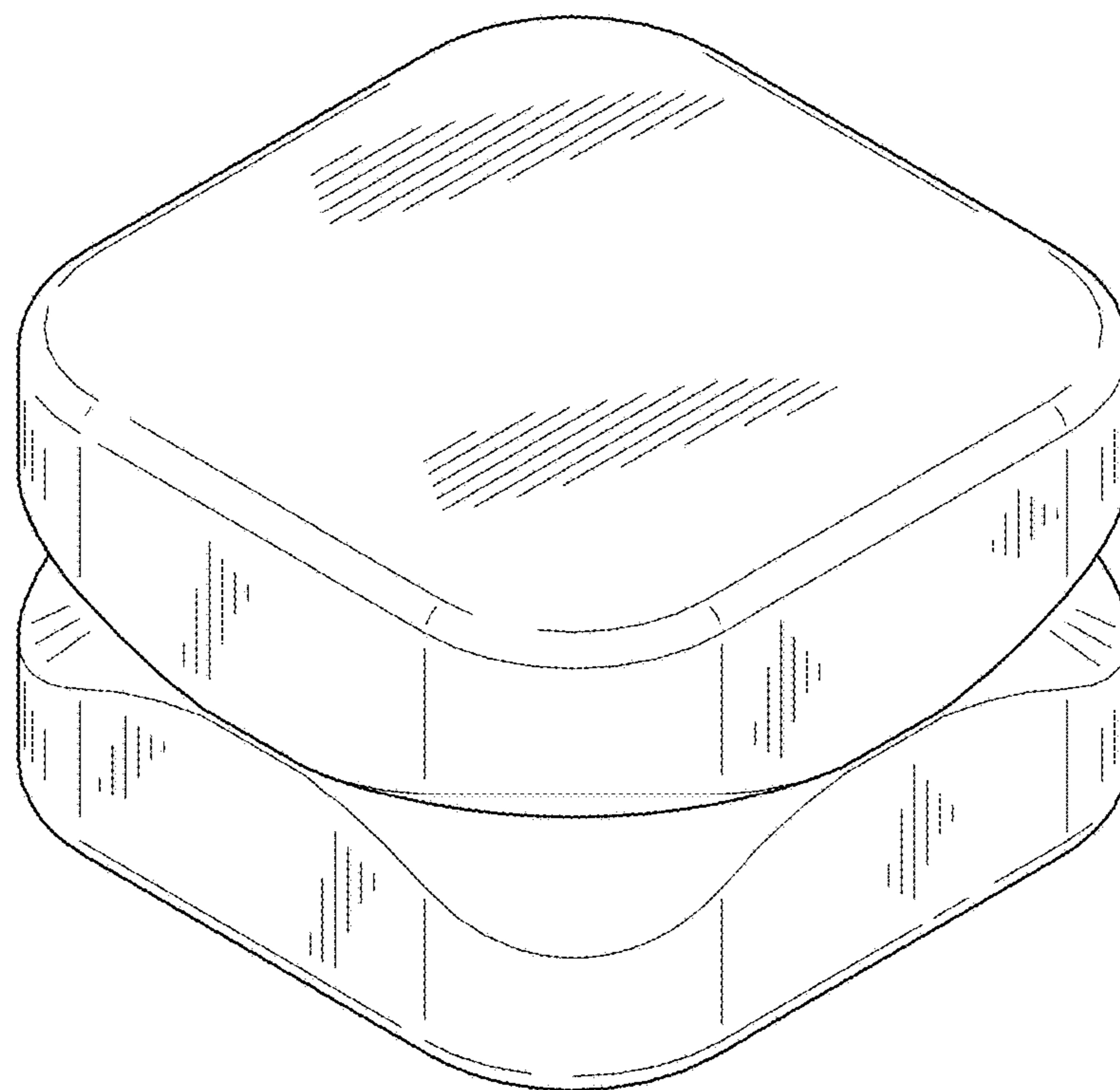


FIG. 1

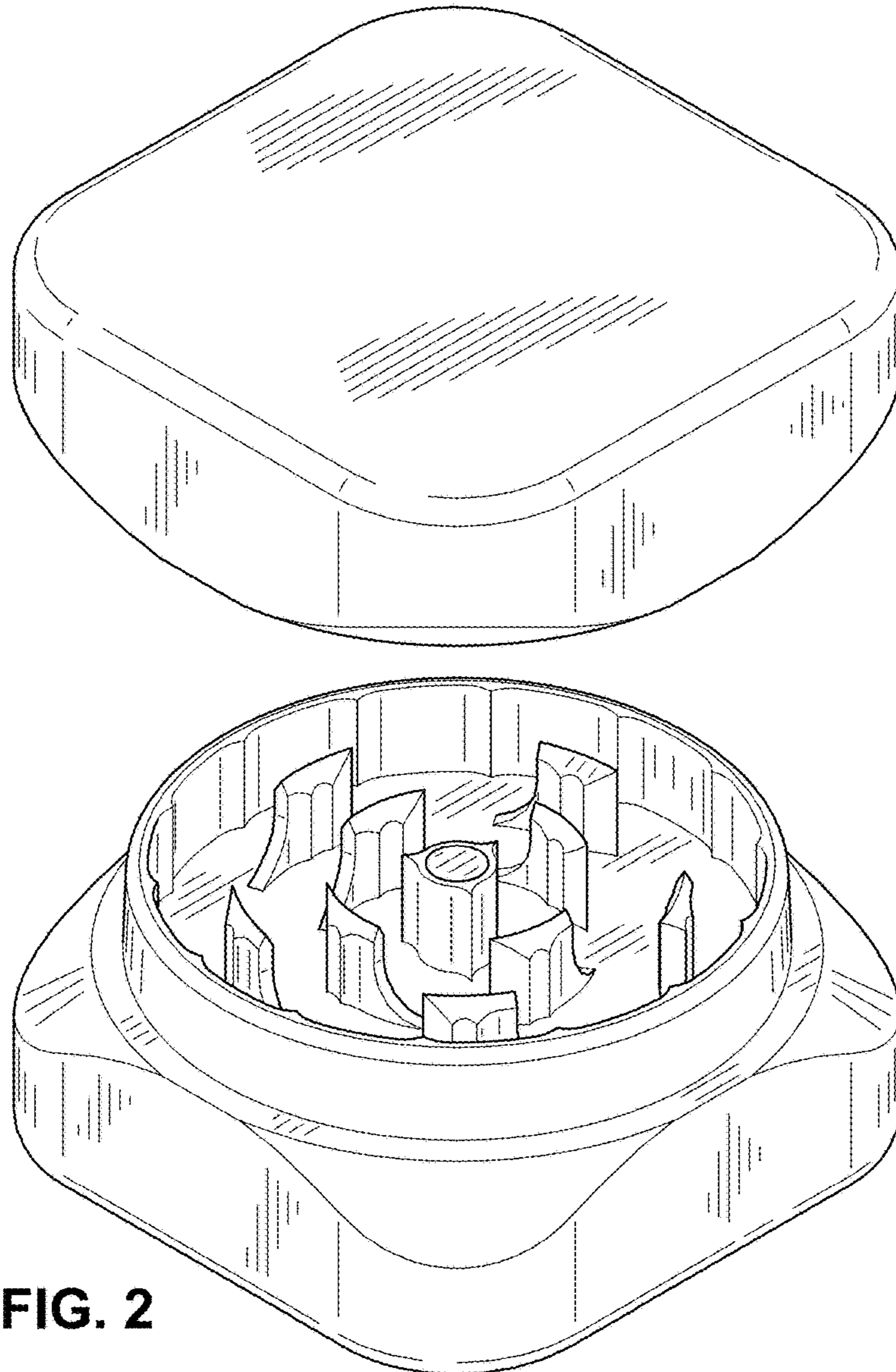


FIG. 2

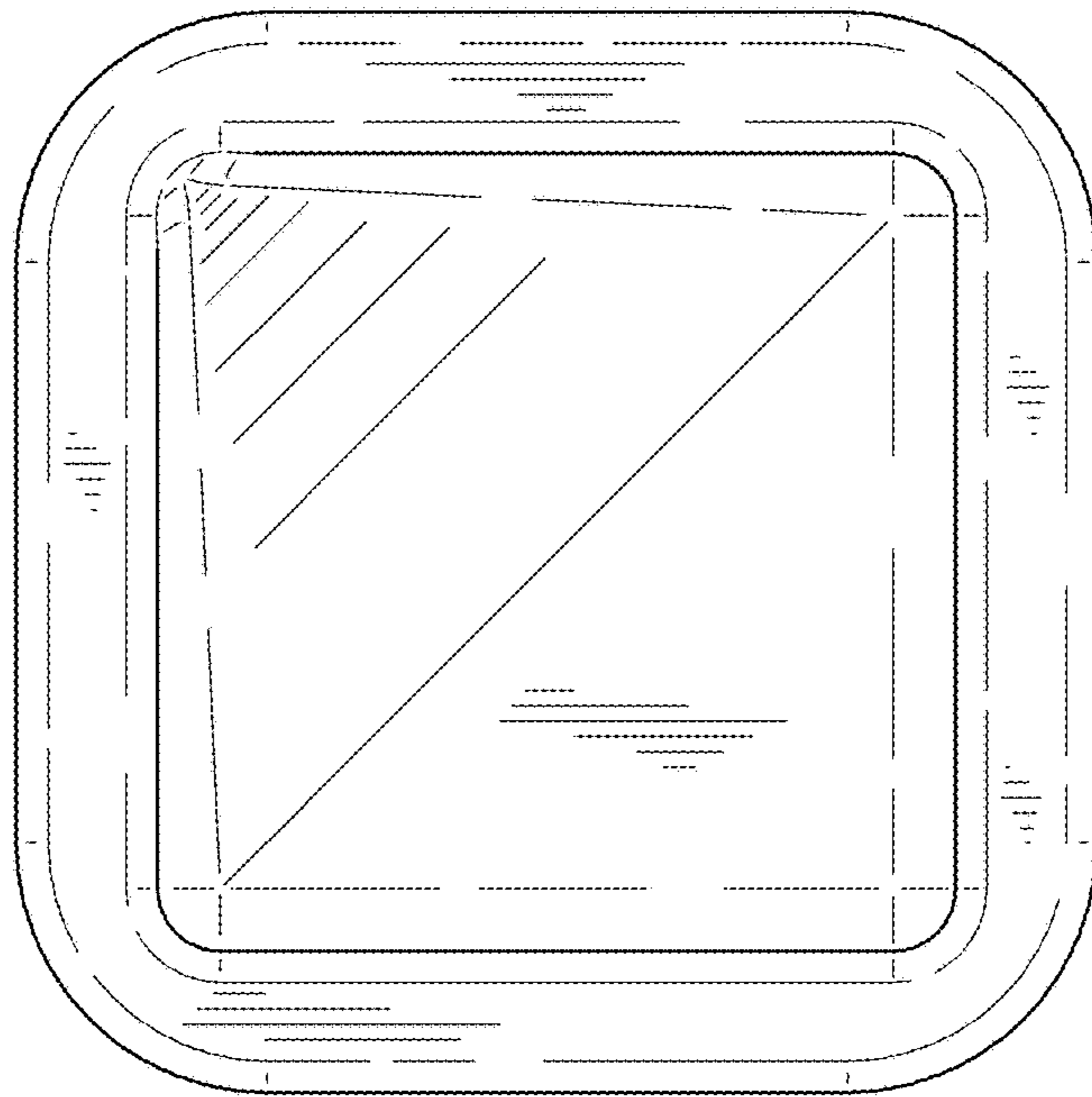


FIG. 3

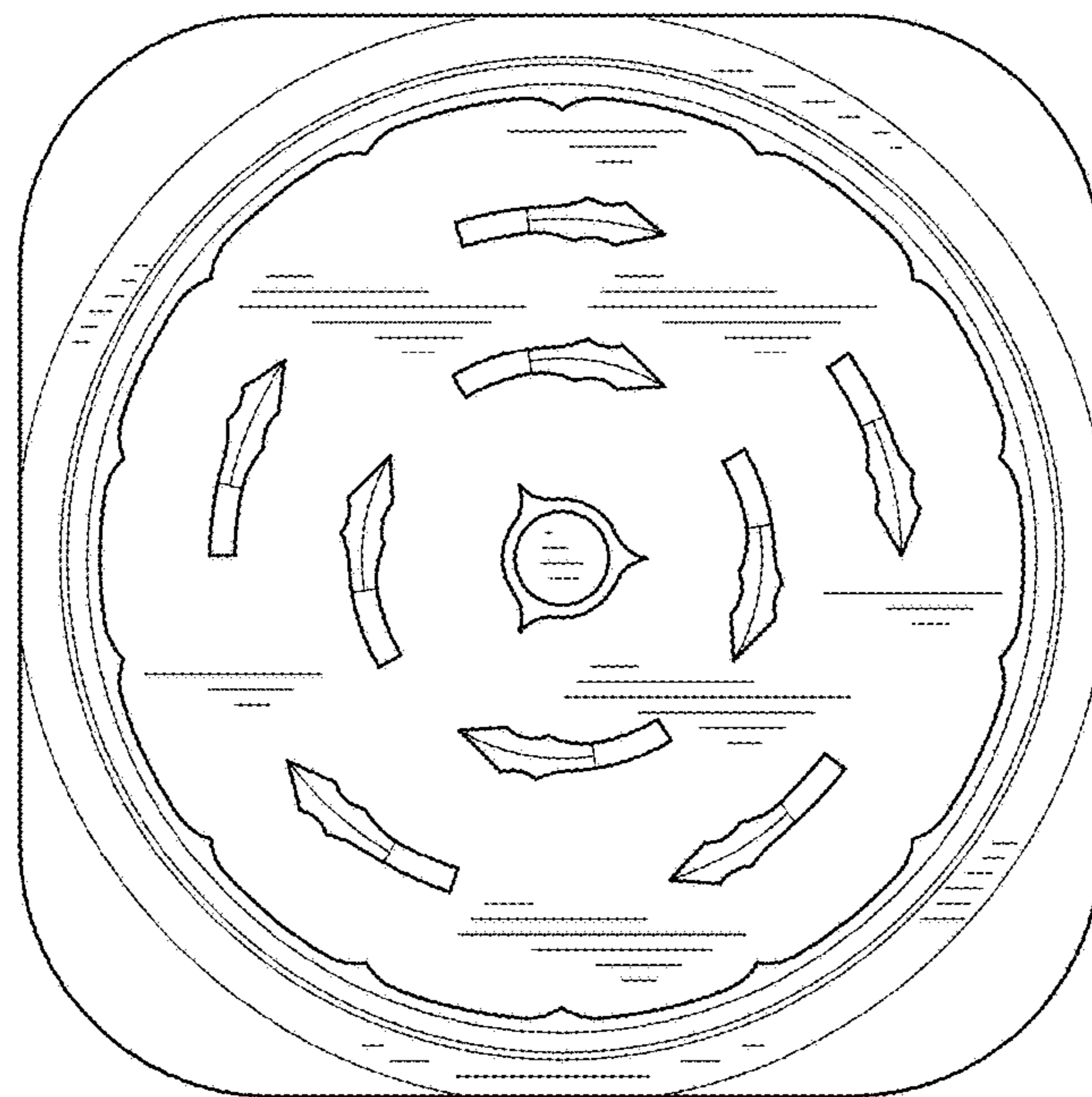


FIG. 4

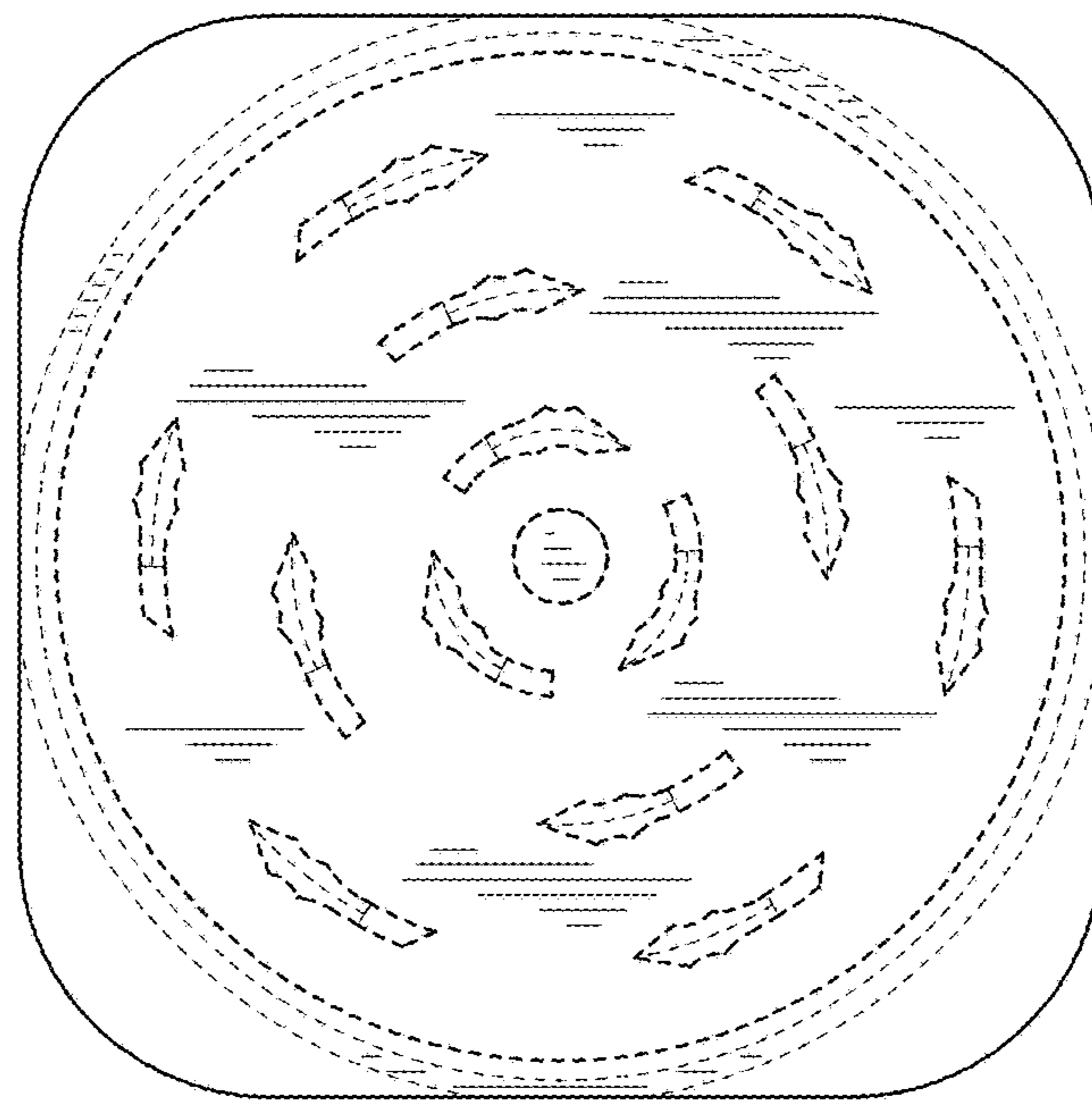


FIG. 5

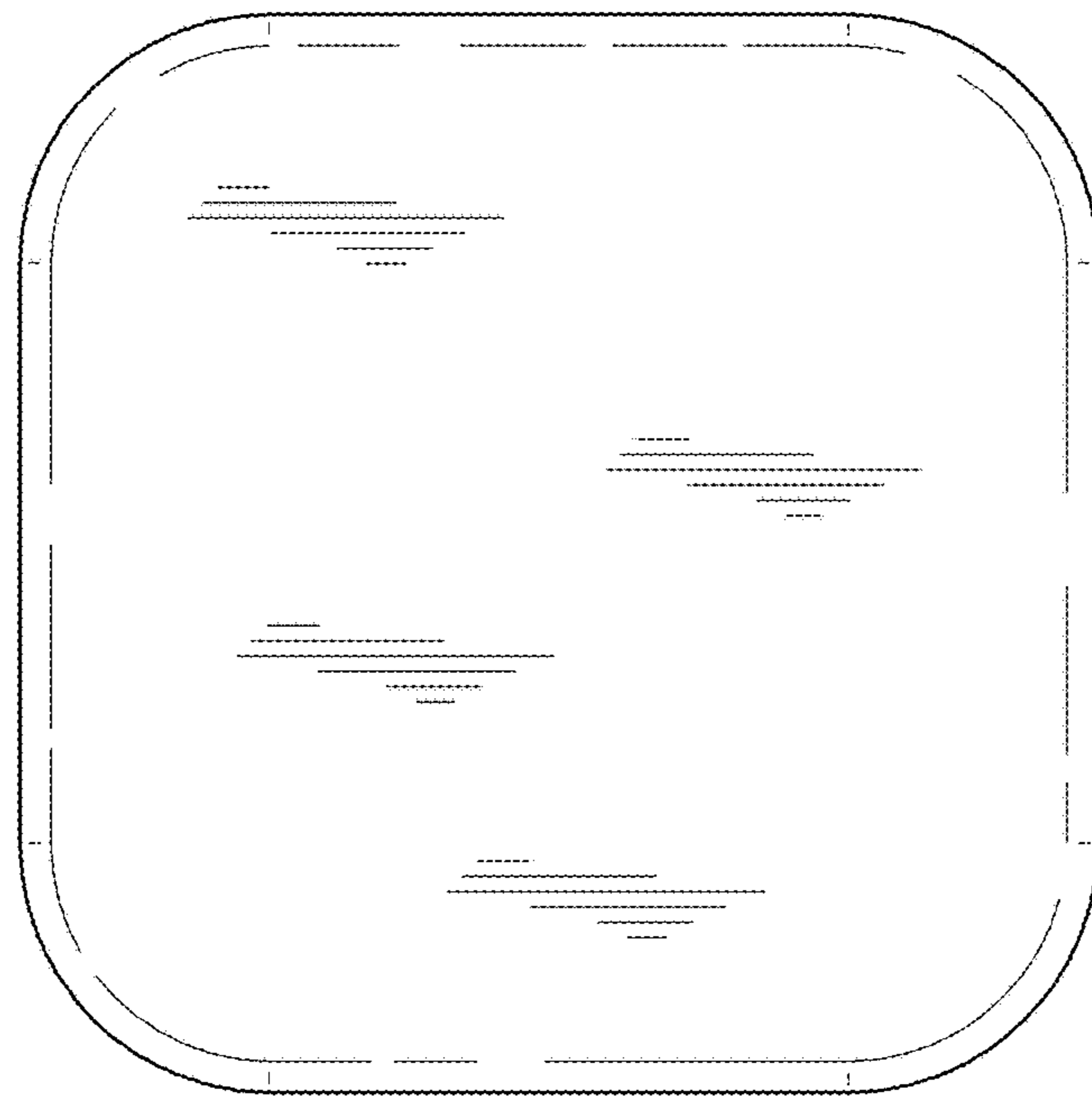


FIG. 6

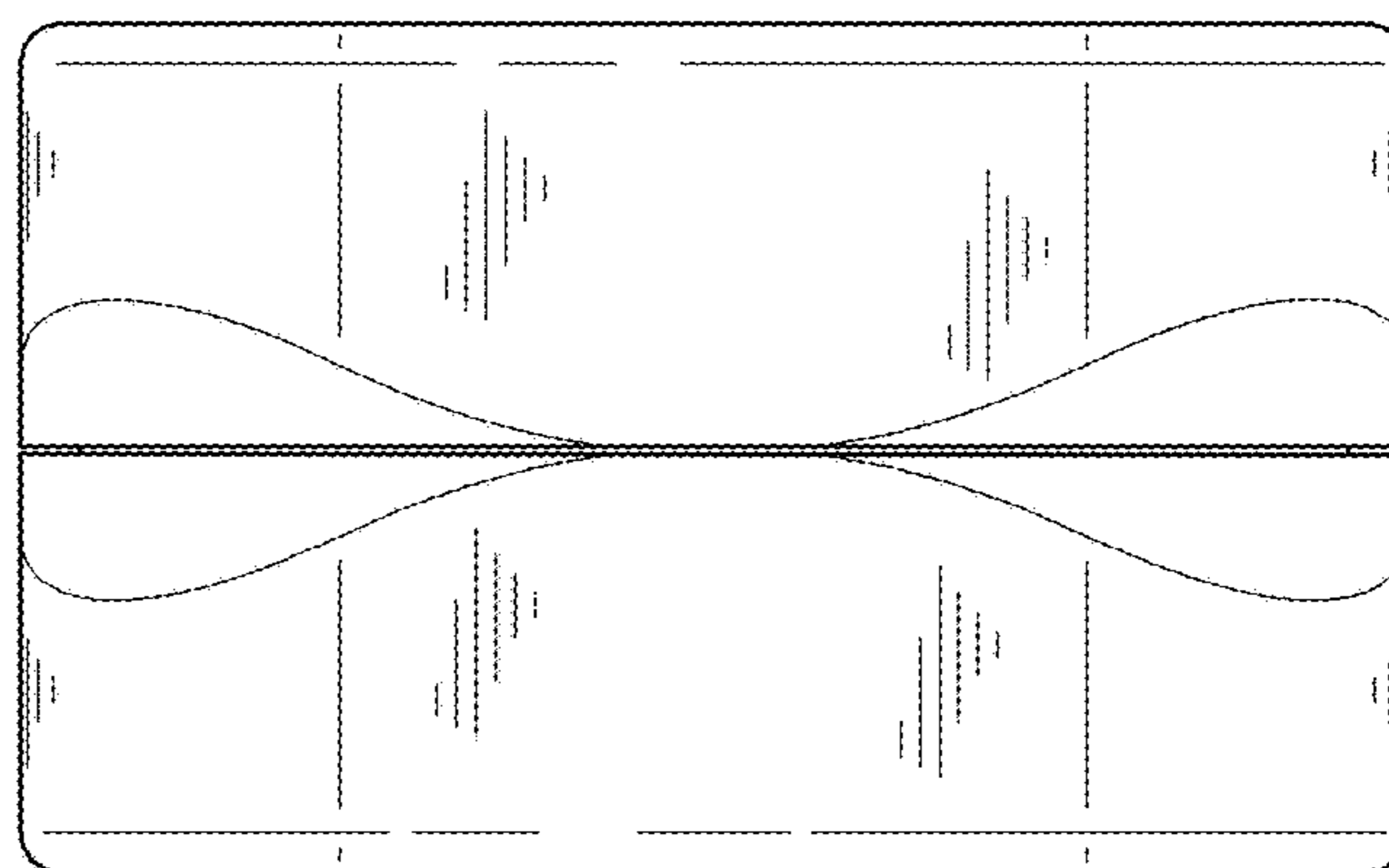


FIG. 7