



US00D862535S

(12) **United States Design Patent**
Yoon et al.

(10) **Patent No.:** **US D862,535 S**
(45) **Date of Patent:** **** Oct. 8, 2019**

(54) **REFRIGERATOR DOOR**

(71) Applicant: **Samsung Electronics Co., Ltd.**,
Suwon-si (KR)

(72) Inventors: **Byeong-Cheol Yoon**, Suwon-si (KR);
Daekyun Lee, Suwon-si (KR)

(73) Assignee: **Samsung Electronics Co., Ltd.**,
Suwon-si (KR)

(**) Term: **15 Years**

(21) Appl. No.: **29/625,411**

(22) Filed: **Nov. 9, 2017**

Related U.S. Application Data

(63) Continuation of application No. 29/614,656, filed on
Aug. 22, 2017, which is a continuation of application
(Continued)

(51) **LOC (12) Cl.** **15-07**

(52) **U.S. Cl.**
USPC **D15/91**

(58) **Field of Classification Search**
USPC D15/79-91
(Continued)

(56) **References Cited**

U.S. PATENT DOCUMENTS

D730,958 S 6/2015 Choi et al.
D738,941 S 9/2015 Shin et al.
(Continued)

Primary Examiner — Khawaja Anwar

(74) *Attorney, Agent, or Firm* — NSIP Law

(57) **CLAIM**

We claim the ornamental design for a refrigerator door, as
shown and described.

DESCRIPTION

FIG. 1 is a front perspective view of a refrigerator door
showing our new design;

FIG. 2 is a front view thereof;
FIG. 3 is a rear view thereof;
FIG. 4 is a left-side view thereof;
FIG. 5 is a right-side view thereof;
FIG. 6 is a top plan view thereof;
FIG. 7 is a bottom plan view thereof;
FIG. 8 is a front perspective view of another embodiment of
a refrigerator door showing our new design;
FIG. 9 is a front view of FIG. 8;
FIG. 10 is a rear view of FIG. 8;
FIG. 11 is a left-side view of FIG. 8;
FIG. 12 is a right-side view of FIG. 8;
FIG. 13 is a top plan view of FIG. 8;
FIG. 14 is a bottom plan view of FIG. 8;
FIG. 15 is a front perspective view of another embodiment
of a refrigerator door showing our new design;
FIG. 16 is a front view of FIG. 15;
FIG. 17 is a rear view of FIG. 15;
FIG. 18 is a left-side view of FIG. 15;
FIG. 19 is a right-side view of FIG. 15;
FIG. 20 is a top plan view of FIG. 15;
FIG. 21 is a bottom plan view of FIG. 15;
FIG. 22 is a front perspective view of another embodiment
of a refrigerator door showing our new design;
FIG. 23 is a front view of FIG. 22;
FIG. 24 is a rear view of FIG. 22;
FIG. 25 is a left-side view of FIG. 22;
FIG. 26 is a right-side view of FIG. 22;
FIG. 27 is a top plan view of FIG. 22;
FIG. 28 is a bottom plan view of FIG. 22;
FIG. 29 is a front perspective view of another embodiment
of a refrigerator door showing our new design;
FIG. 30 is a front view of FIG. 29;
FIG. 31 is a rear view of FIG. 29;
FIG. 32 is a left-side view of FIG. 29;
FIG. 33 is a right-side view of FIG. 29;
FIG. 34 is a top plan view of FIG. 29;
FIG. 35 is a bottom plan view of FIG. 29;
FIG. 36 is a front perspective view of another embodiment
of a refrigerator door showing our new design;
FIG. 37 is a front view of FIG. 36;
FIG. 38 is a rear view of FIG. 36;
FIG. 39 is a left-side view of FIG. 36;
FIG. 40 is a right-side view of FIG. 36;

(Continued)

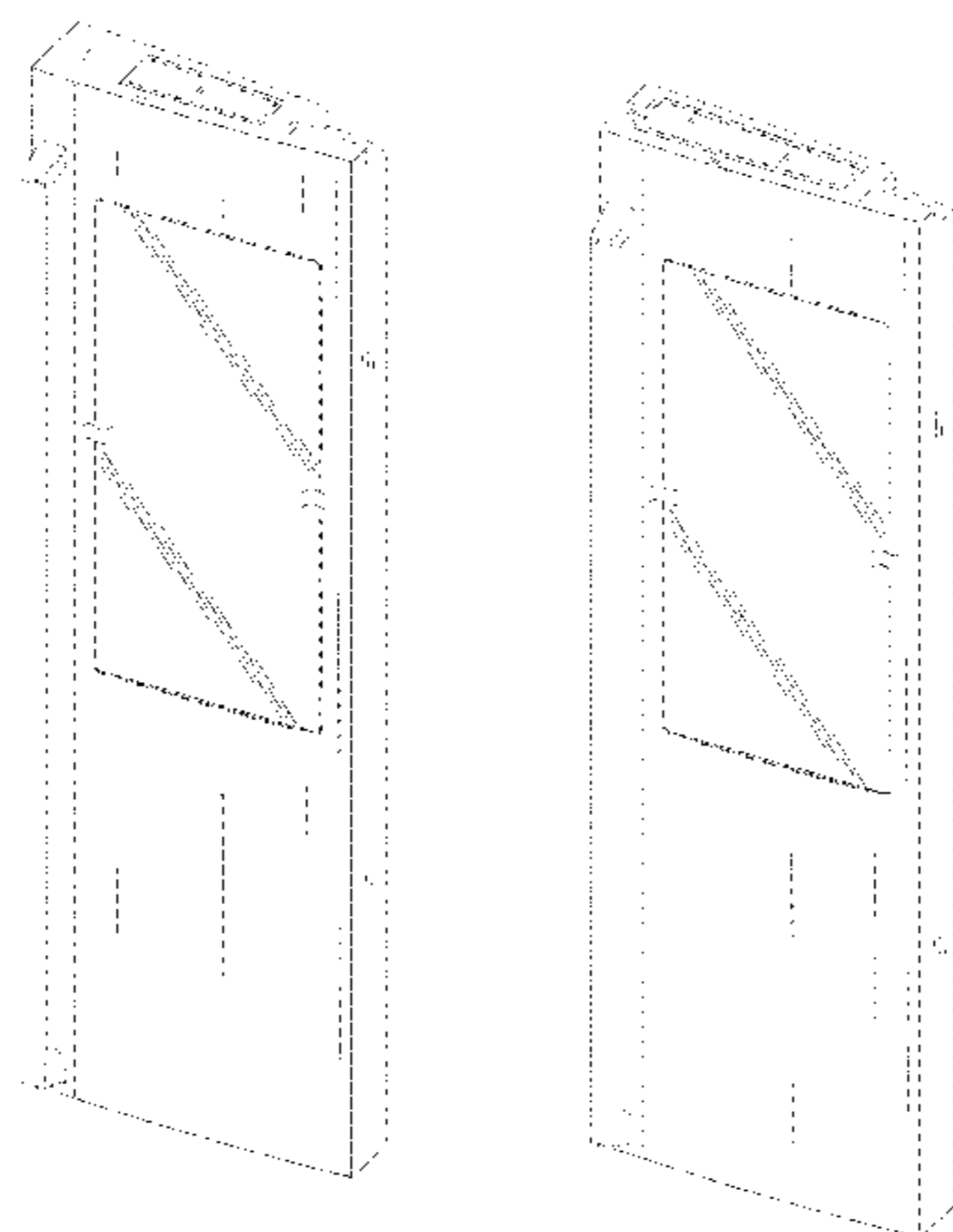


FIG. 41 is a top plan view of FIG. 36; and, FIG. 42 is a bottom plan view of FIG. 36. The evenly spaced broken lines depict portions of the refrigerator door that form no part of the claimed design. The uneven dot-dash lines in the figures represent an unclaimed boundary line and form no part of the claimed design. The pair of closely adjacent wave dot-dot dash lines forms no part of the claimed design and the portion between such pair of wave lines is broken away to disclose intermediate length.

1 Claim, 36 Drawing Sheets

Related U.S. Application Data

No. 29/567,085, filed on Jun. 6, 2016, now Pat. No. Des. 798,347.

(58) **Field of Classification Search**

CPC F25D 25/025; F25D 23/028; F25D 2323/024; F25D 23/00; F25D 23/02; F25D 2323/021; F25D 23/065; F25D 11/00; F25D 2201/14; F25D 23/021; F25D 23/025; F25D 23/04; F25D 27/00; F25D 23/062; F25D 23/067; F25D

2400/18; F25D 23/08; F25D 23/085; F25D 2500/02; F25D 25/00; F25D 25/005; F25D 25/022; F25D 25/024; F25D 17/047; F25D 2317/041; F25D 2317/04131; F25D 2317/043; F25D 2317/0664; F25D 2321/147; F25D 2323/02; F25D 2323/023

See application file for complete search history.

(56)

References Cited

U.S. PATENT DOCUMENTS

D760,820 S	7/2016	Lee et al.	
D760,823 S	7/2016	Lee et al.	
D761,336 S	7/2016	Lee et al.	
D768,738 S	10/2016	Lee et al.	
D768,739 S	10/2016	Lee et al.	
D769,948 S	10/2016	Lee et al.	
D783,691 S	4/2017	Kim et al.	
D820,889 S *	6/2018	Yoon	D15/91
D824,965 S *	8/2018	Lee	D15/91
D826,292 S *	8/2018	Lee	D15/88
D826,295 S *	8/2018	Lee	D15/91
D838,299 S *	1/2019	Lee	D15/85
D839,316 S *	1/2019	Choi	D15/85
D839,324 S *	1/2019	Choi	D15/91

* cited by examiner

FIG. 1

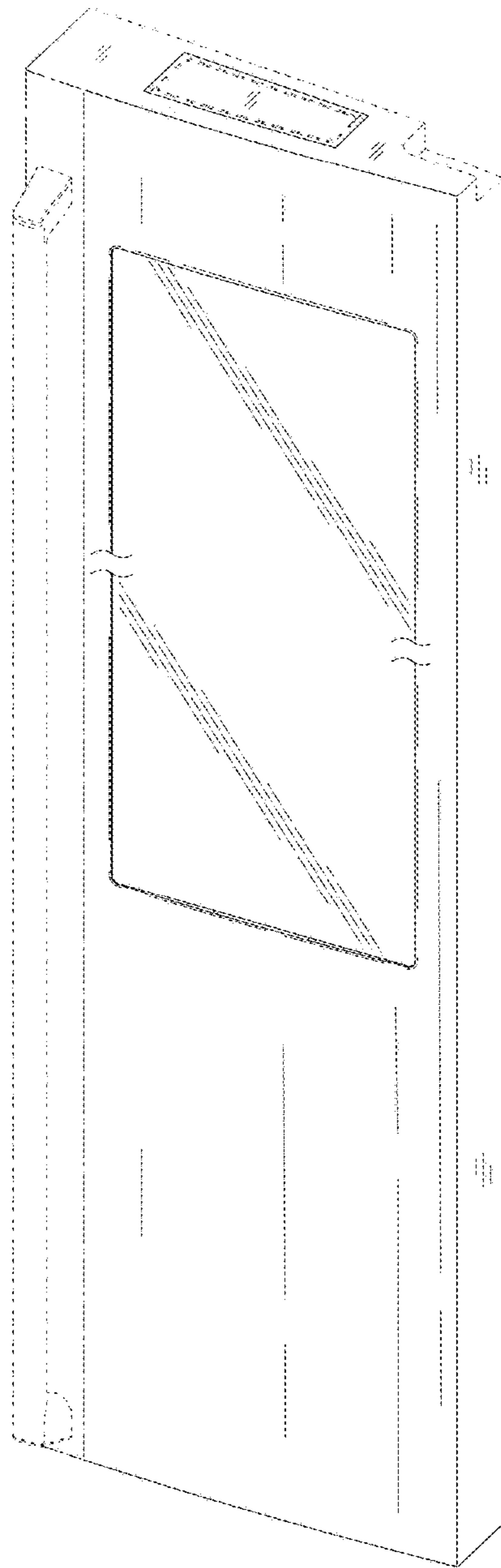


FIG. 2

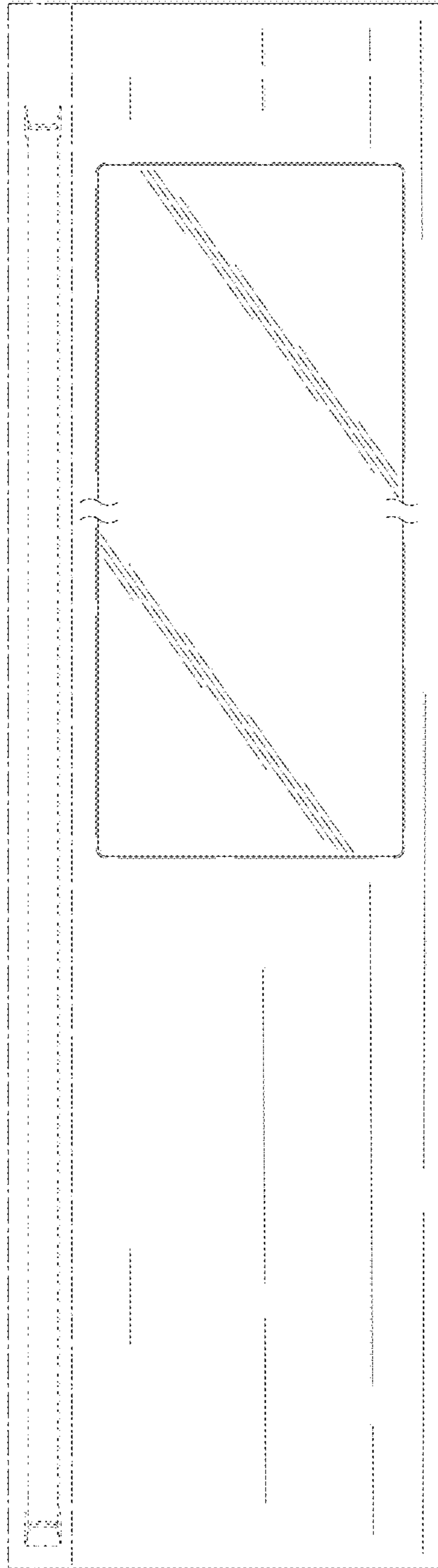


FIG. 3

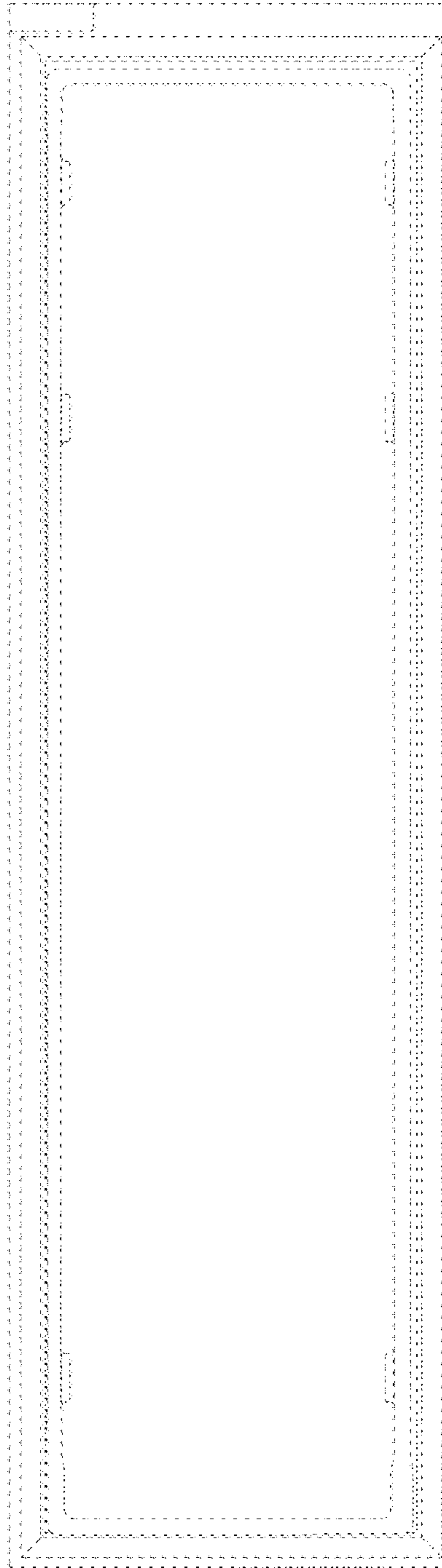


FIG. 4

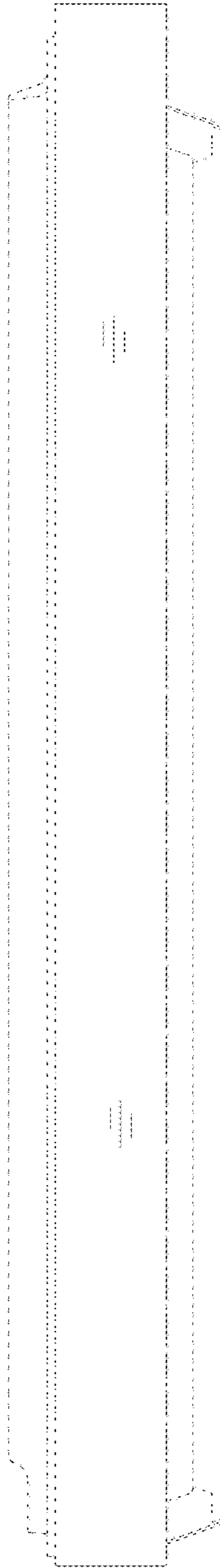


FIG. 5

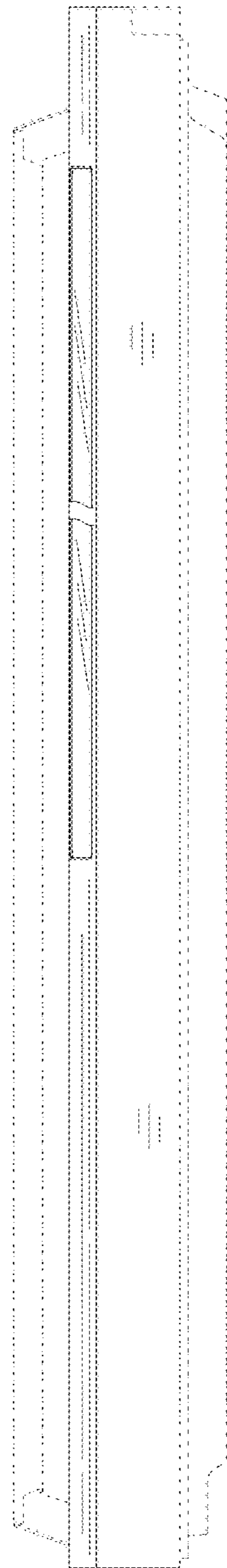


FIG. 6

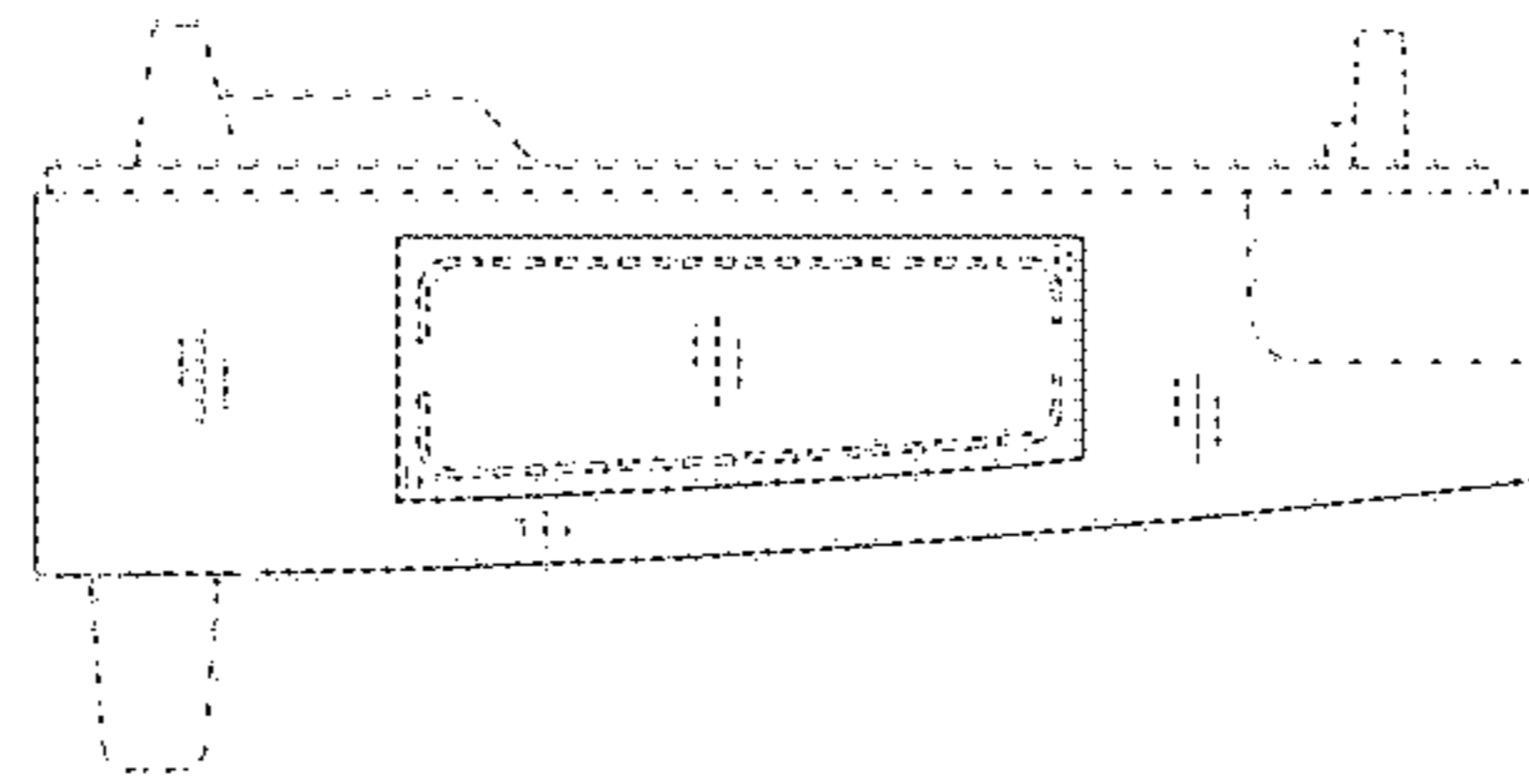


FIG. 7

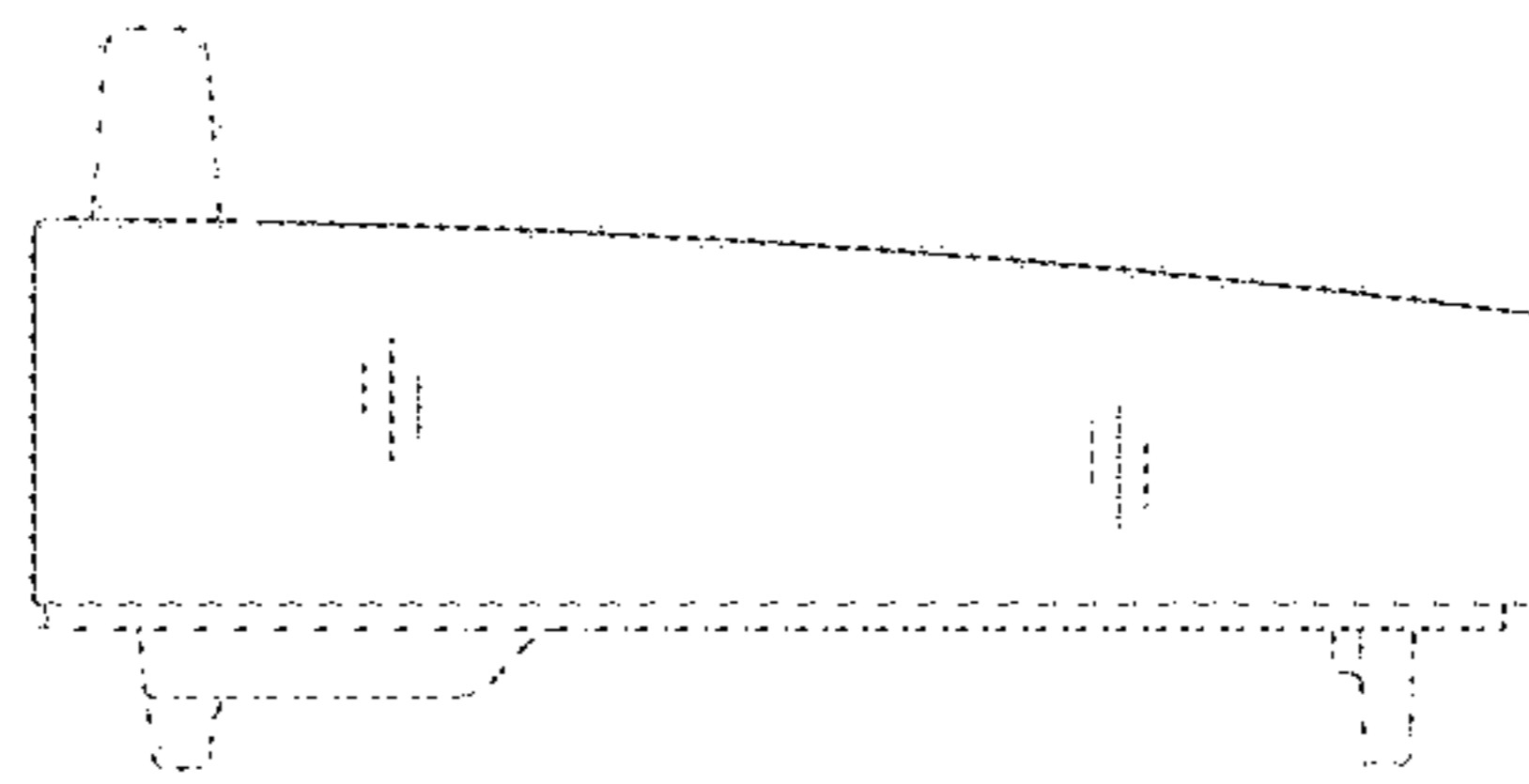


FIG. 8

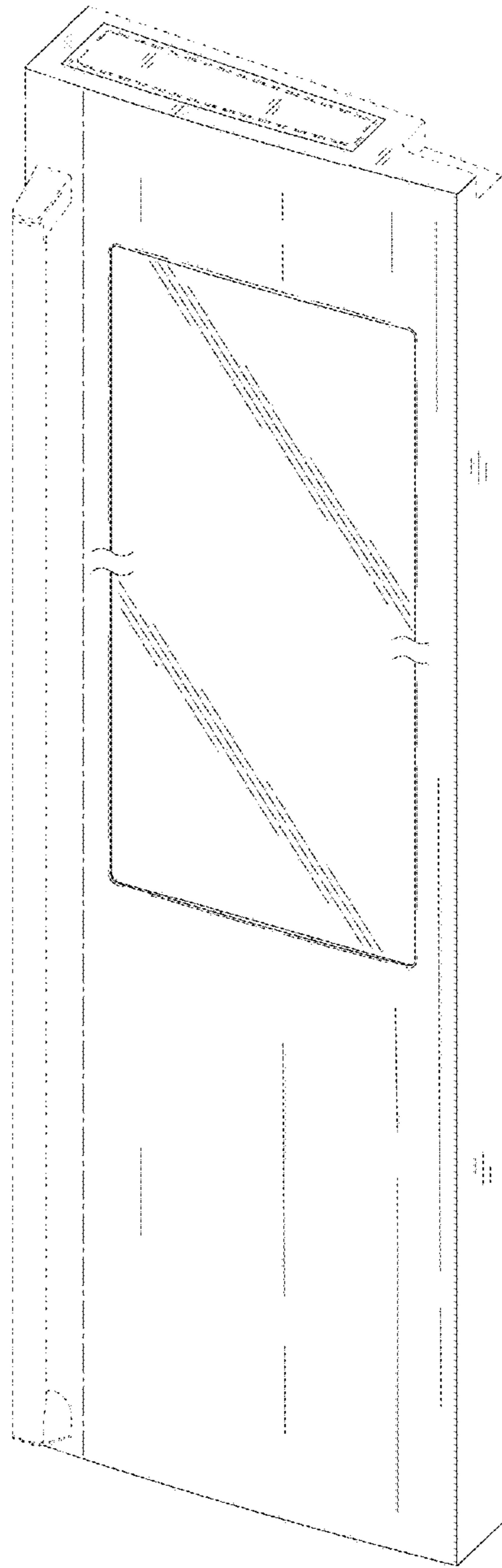


FIG. 9

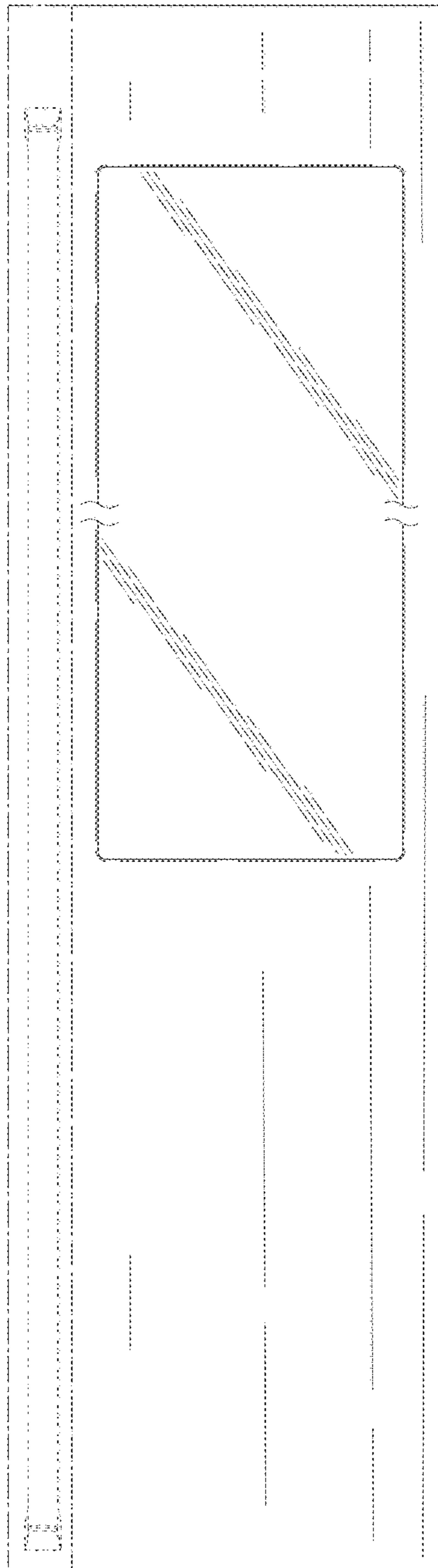


FIG. 10

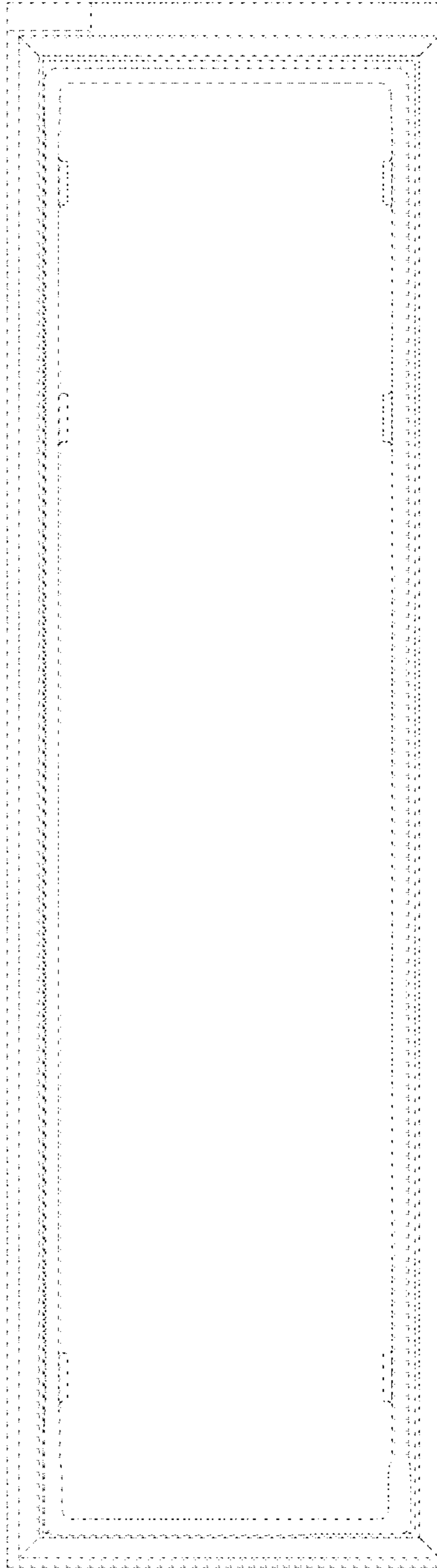


FIG. 11

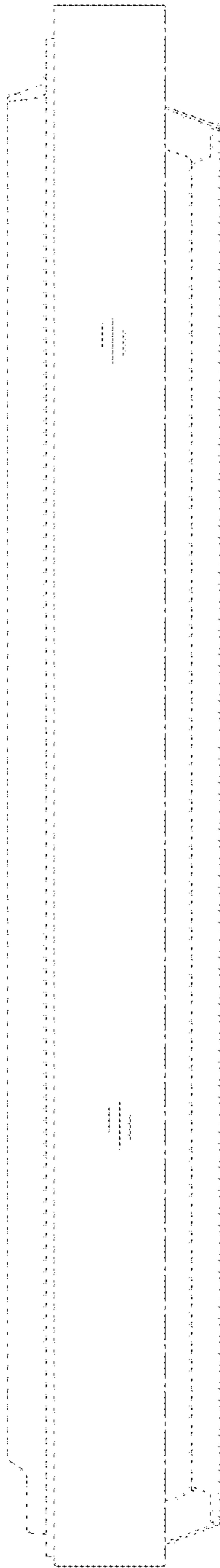


FIG. 12

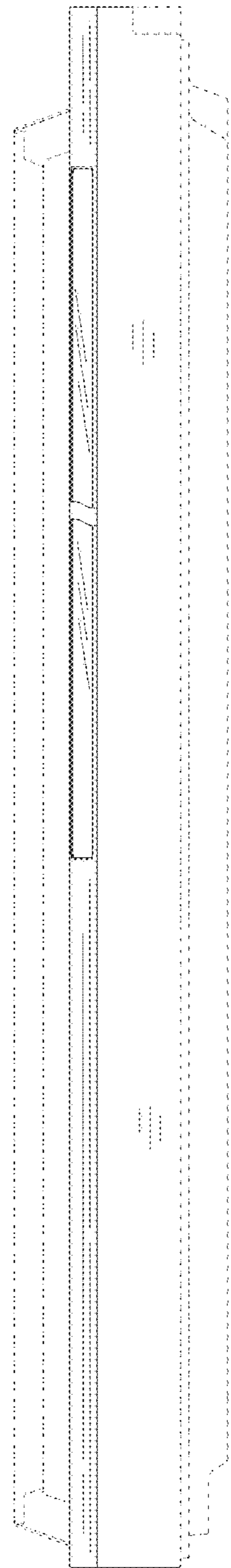


FIG. 13

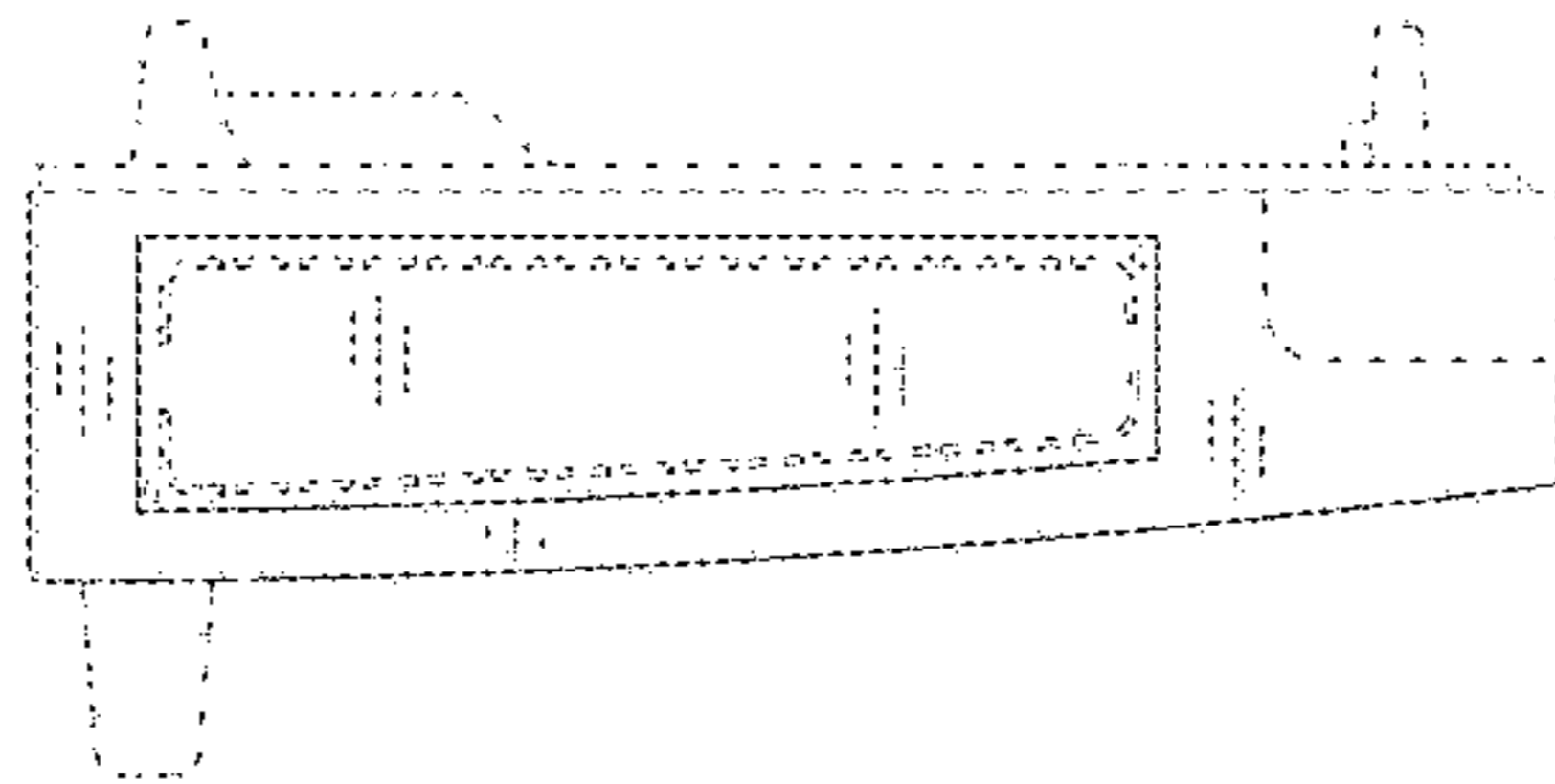


FIG. 14

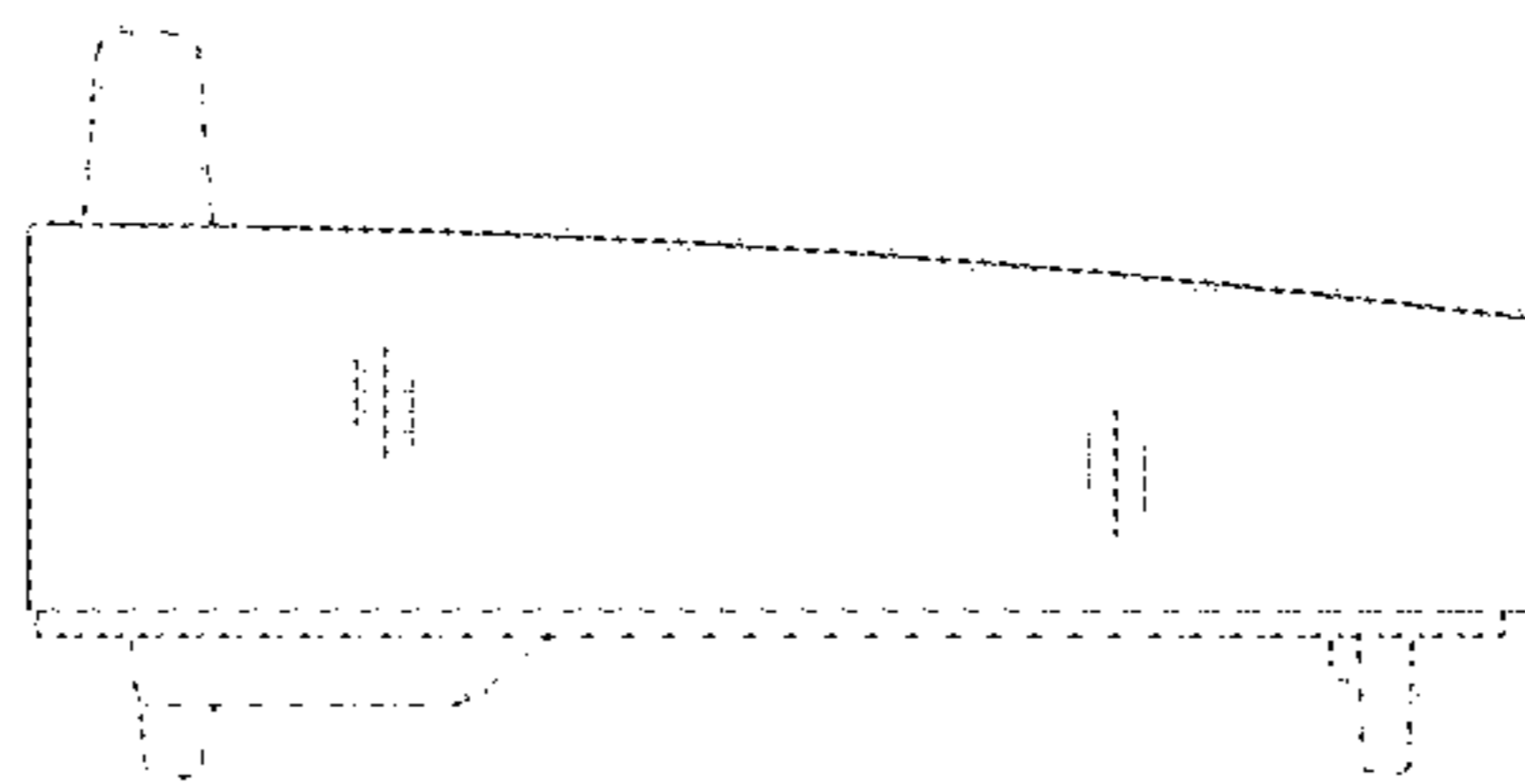


FIG. 15

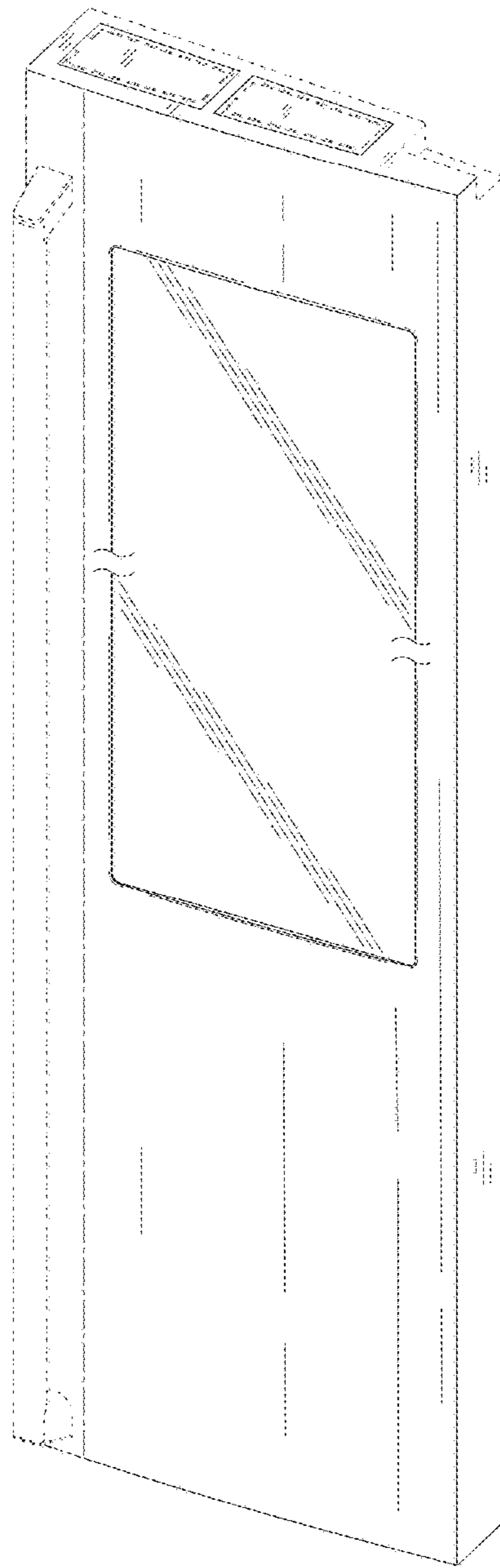


FIG. 16

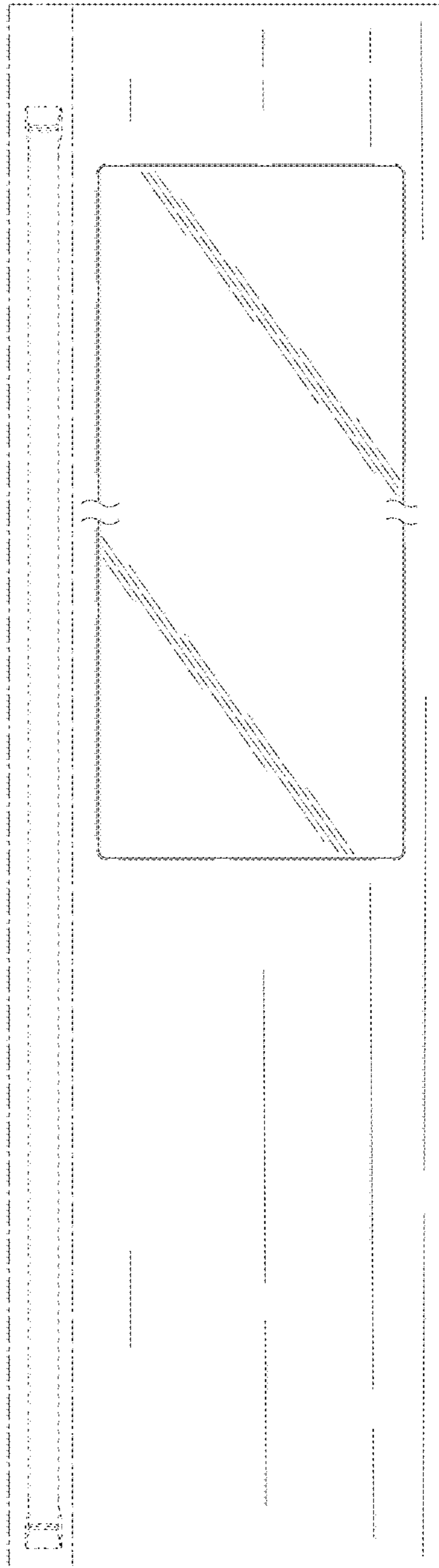


FIG. 17

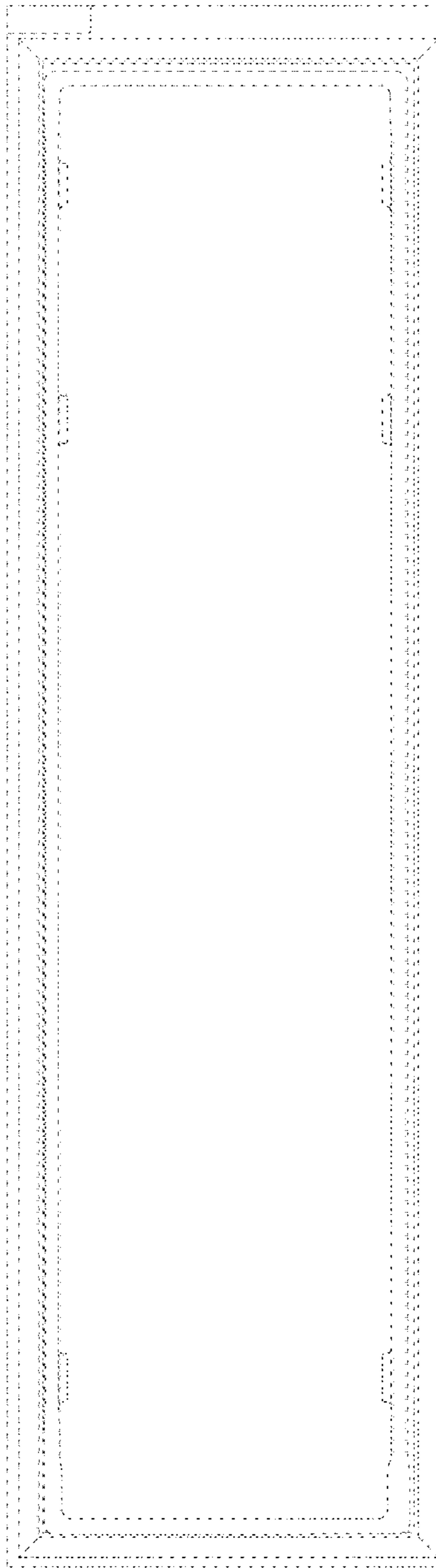


FIG. 18

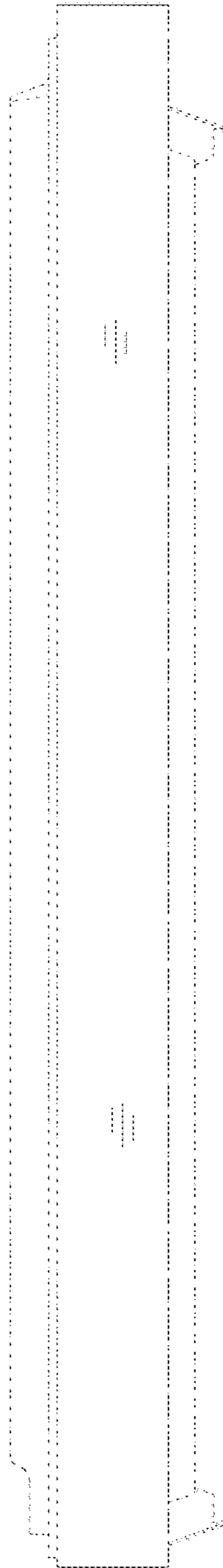


FIG. 19

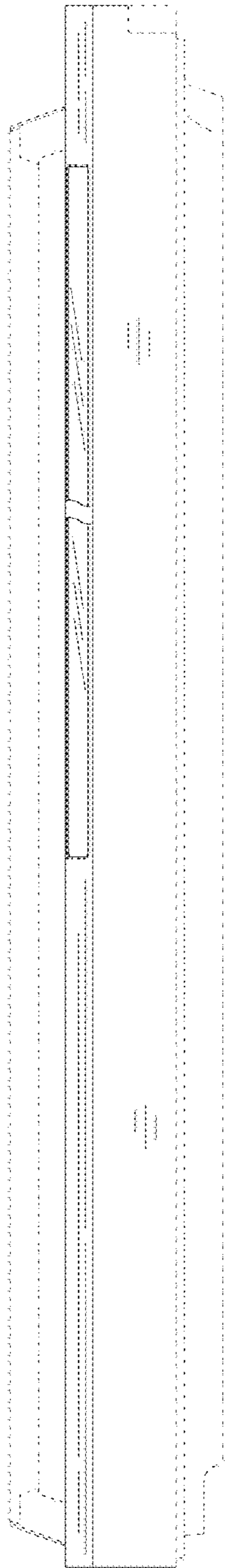


FIG. 20

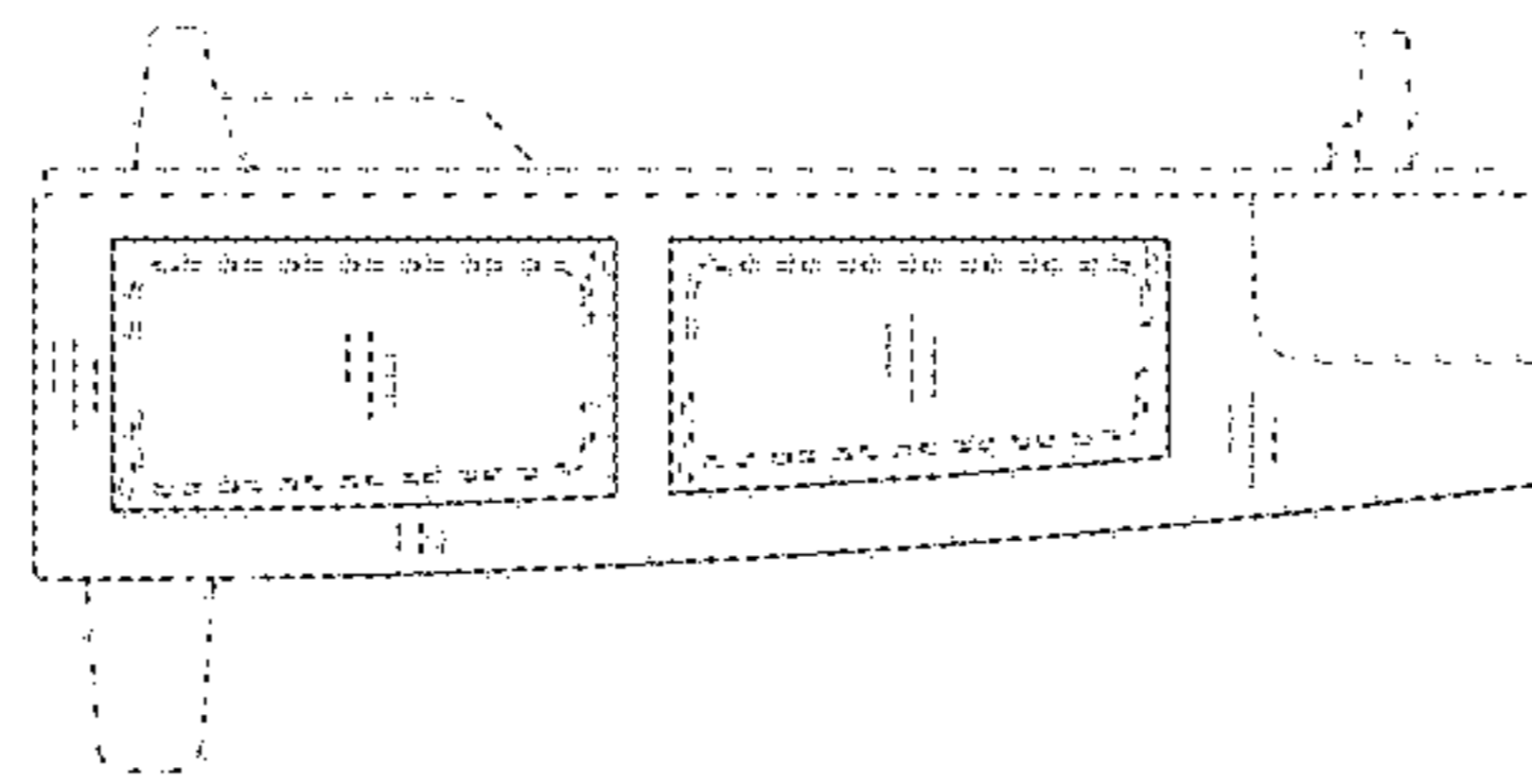


FIG. 21

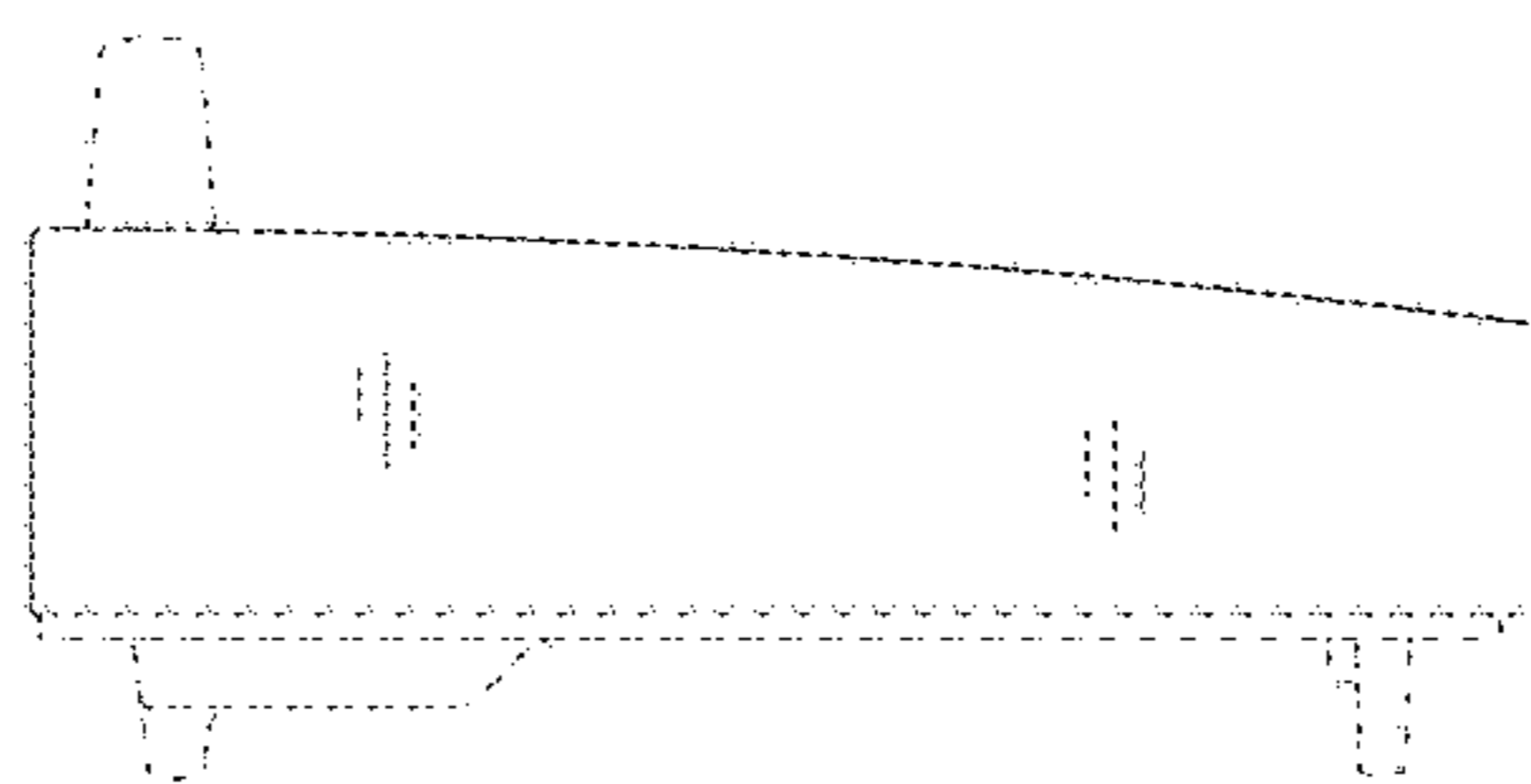


FIG. 22

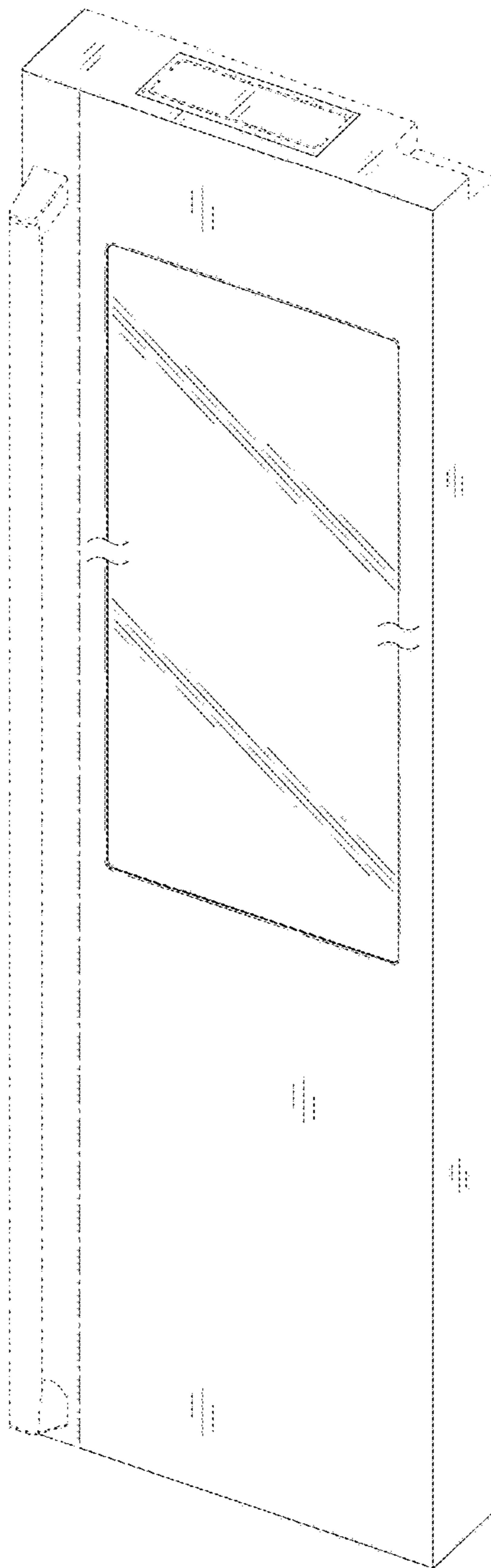


FIG. 23

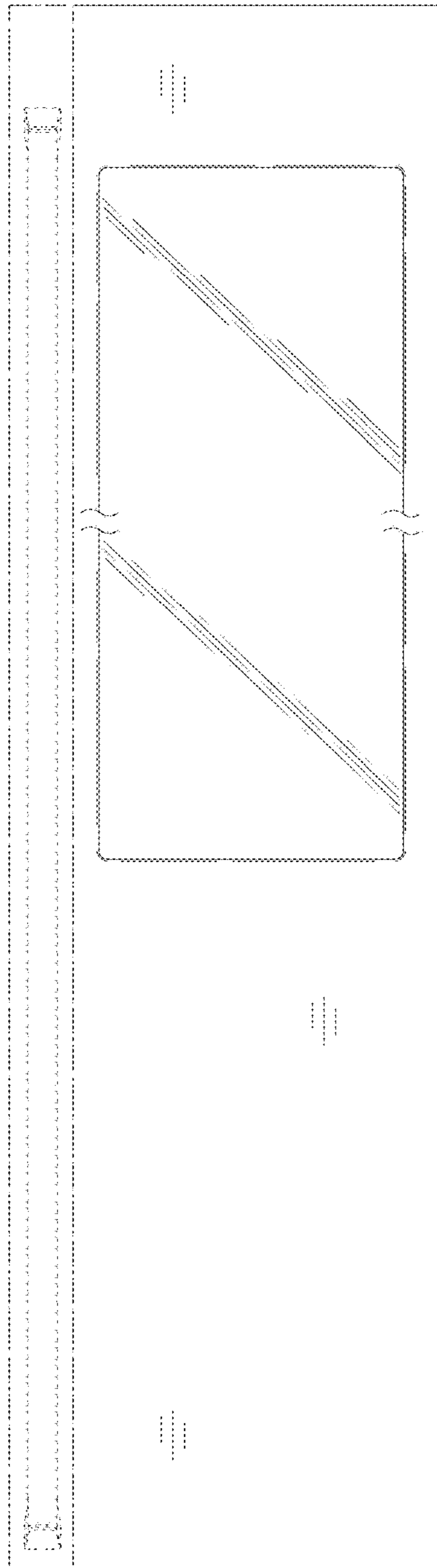


FIG. 24

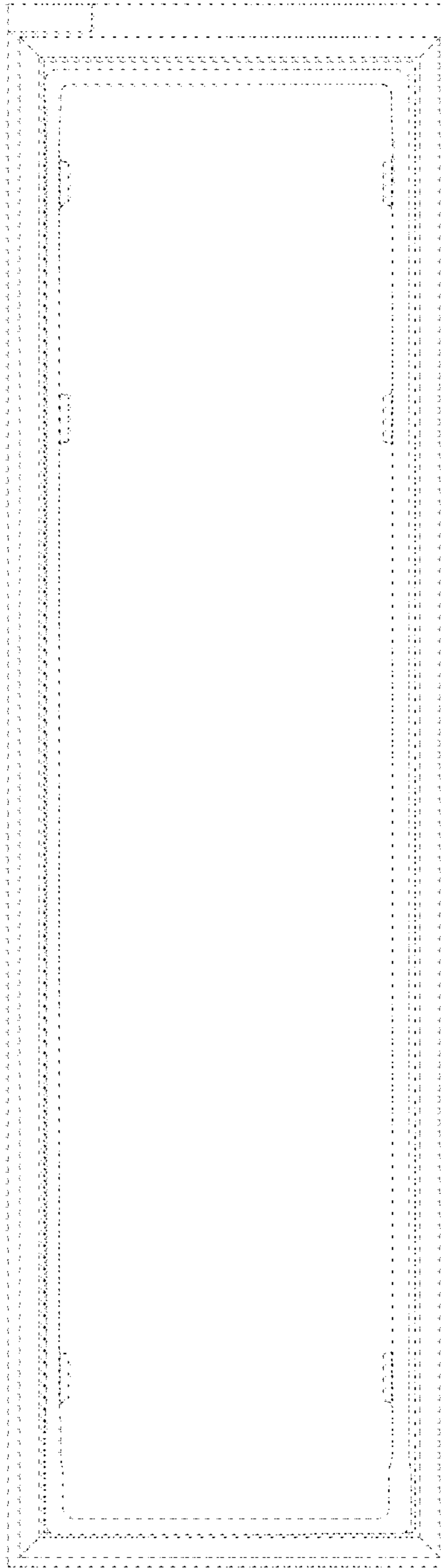


FIG. 25

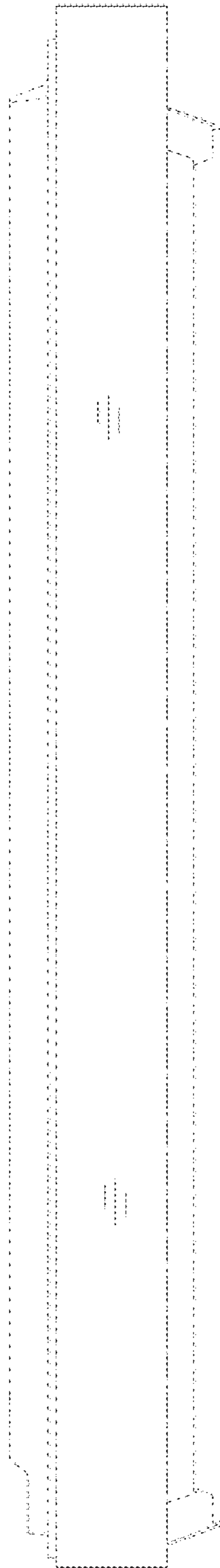


FIG. 26

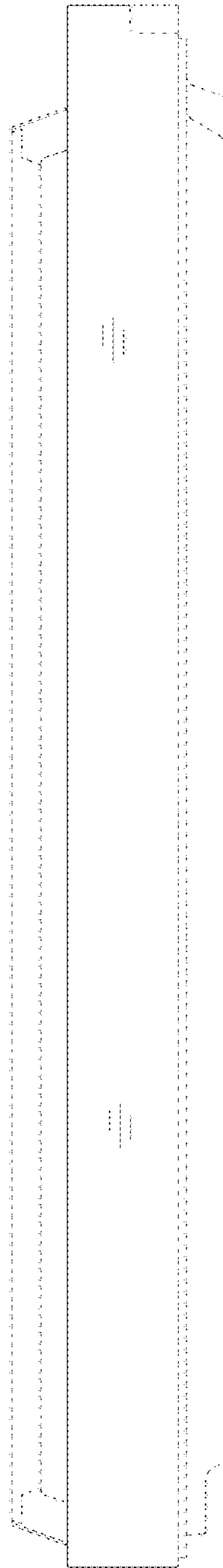


FIG. 27

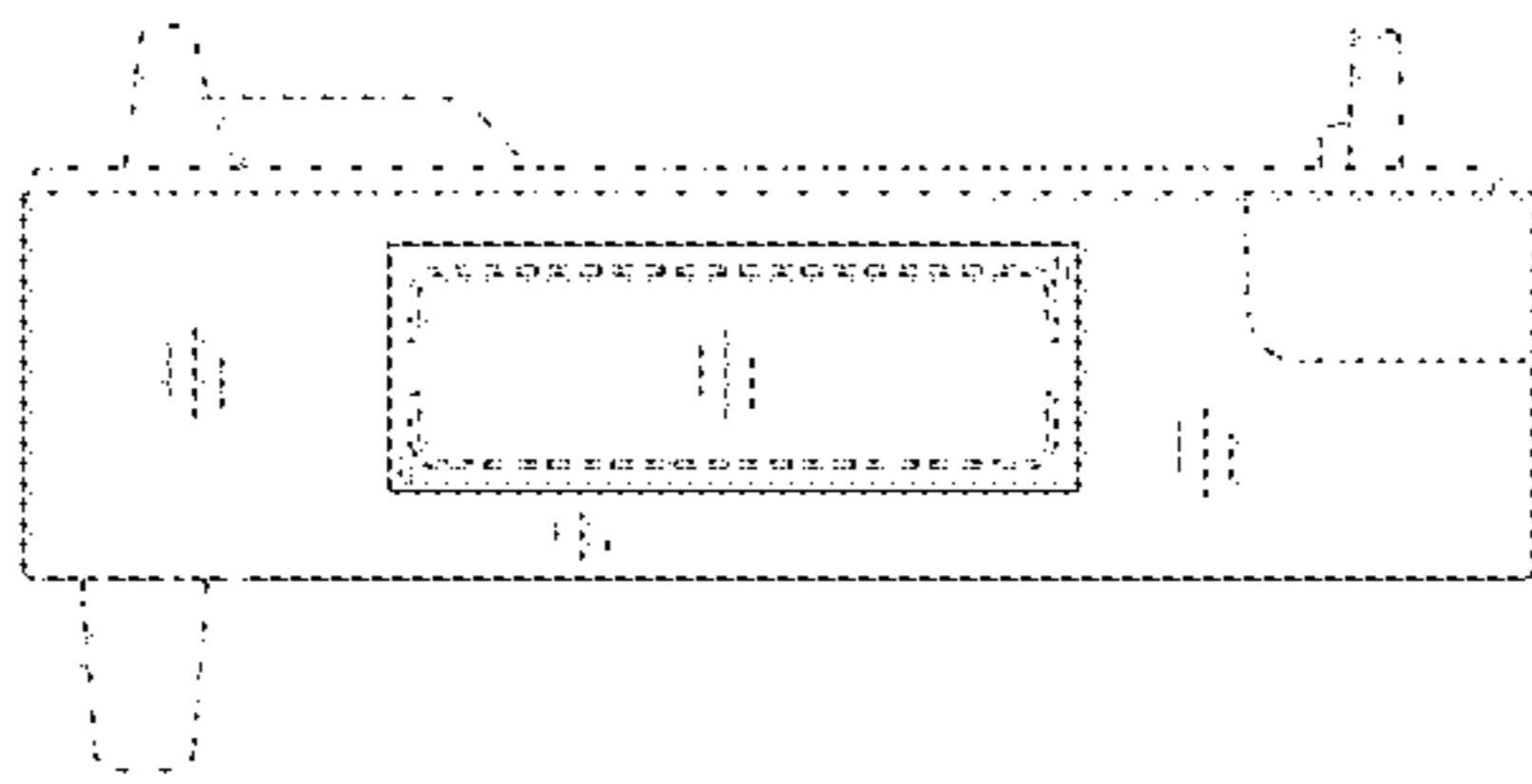


FIG. 28

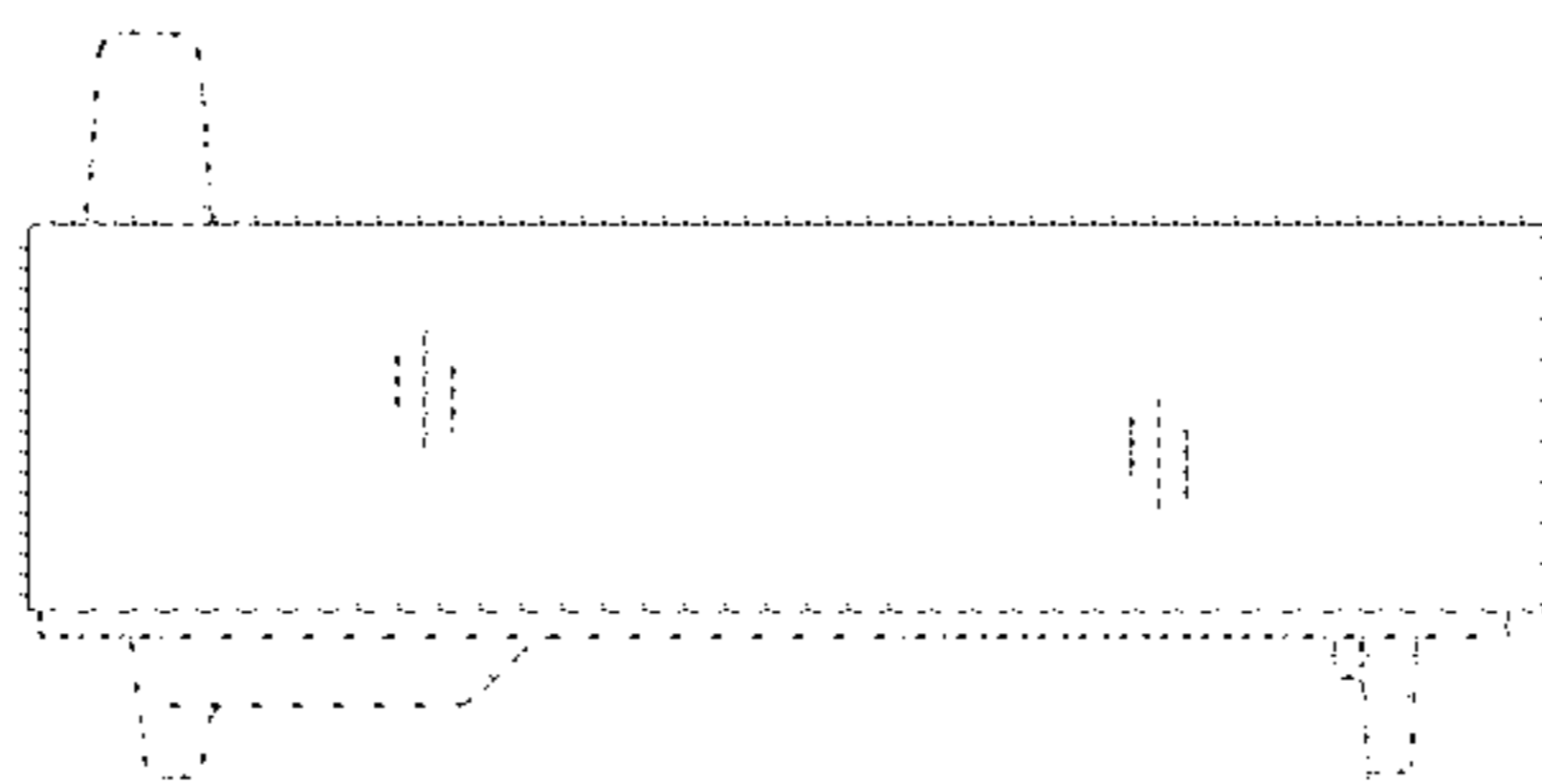


FIG. 29

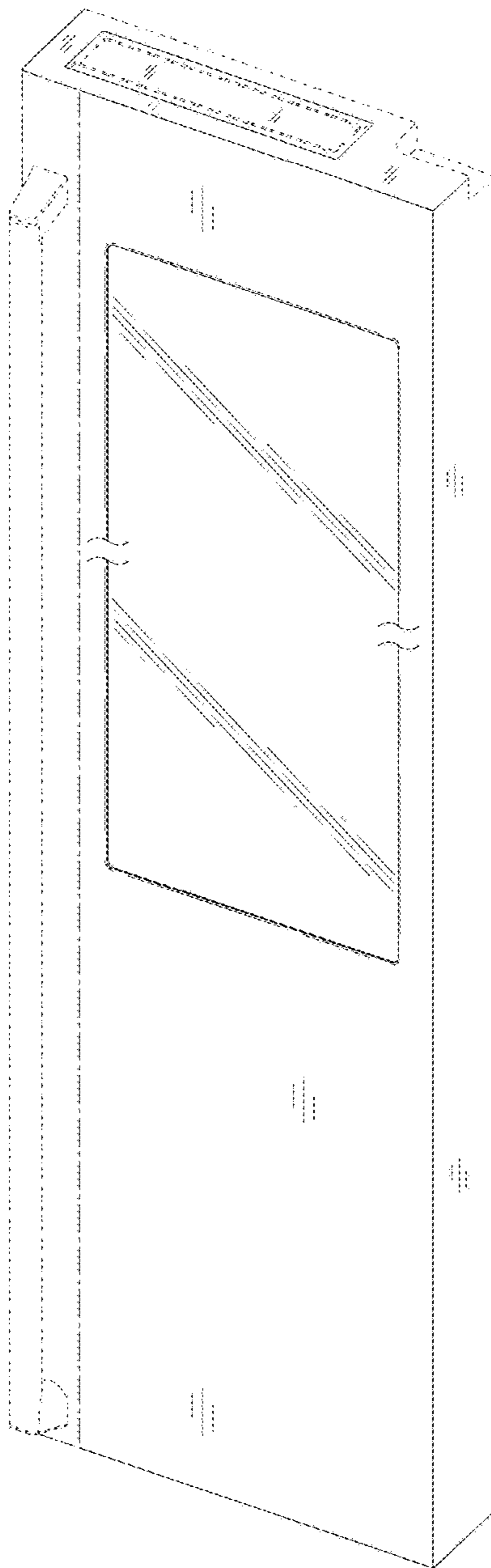


FIG. 30

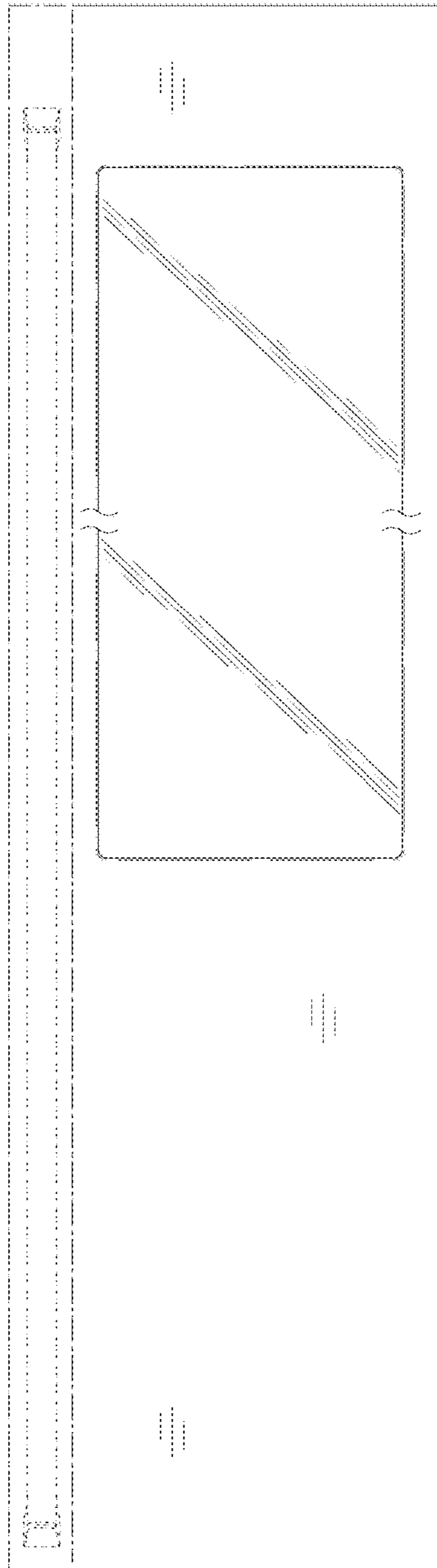


FIG. 31

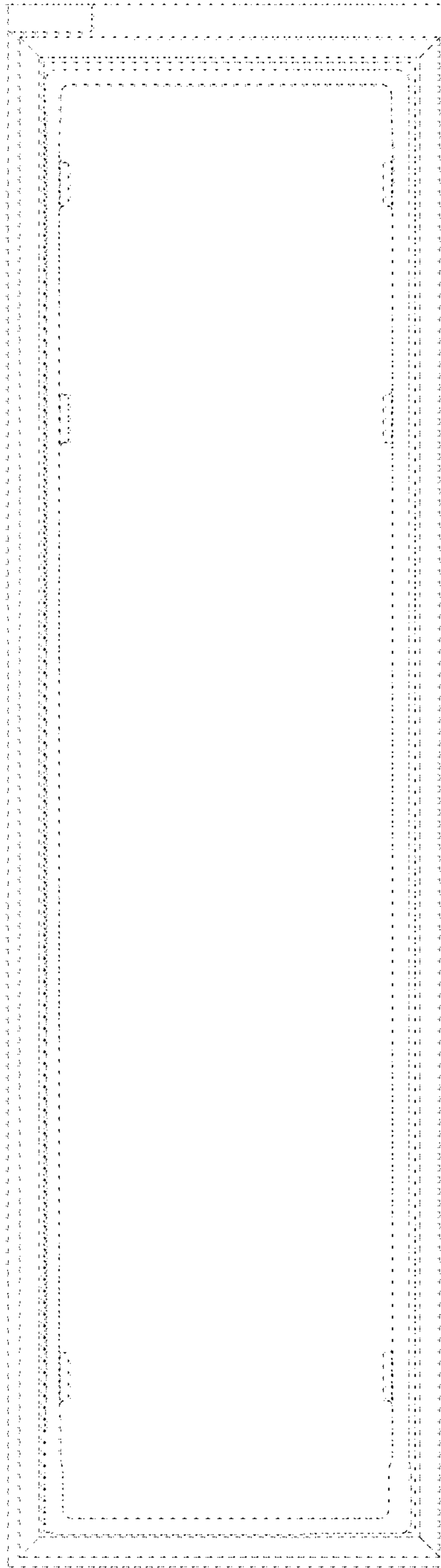


FIG. 32

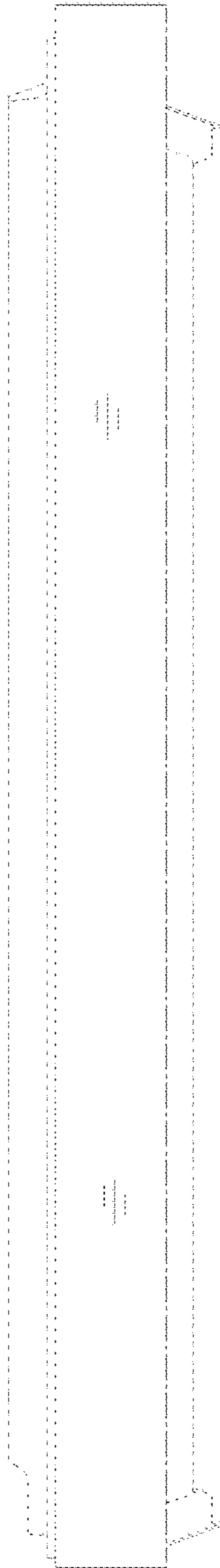


FIG. 33

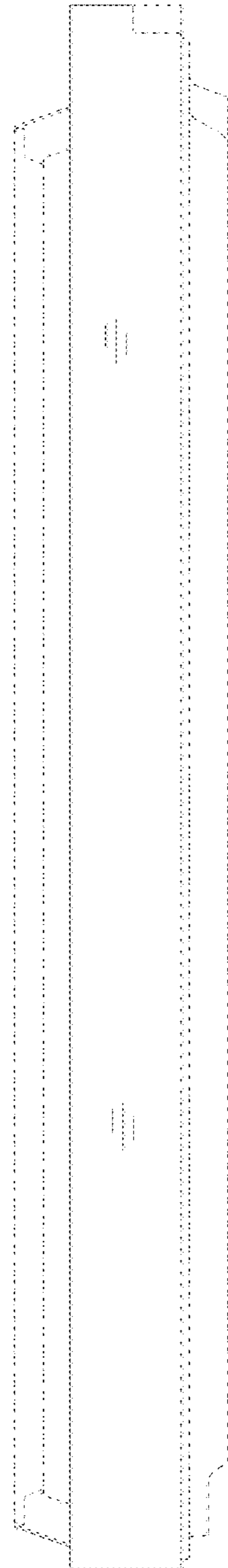


FIG. 34

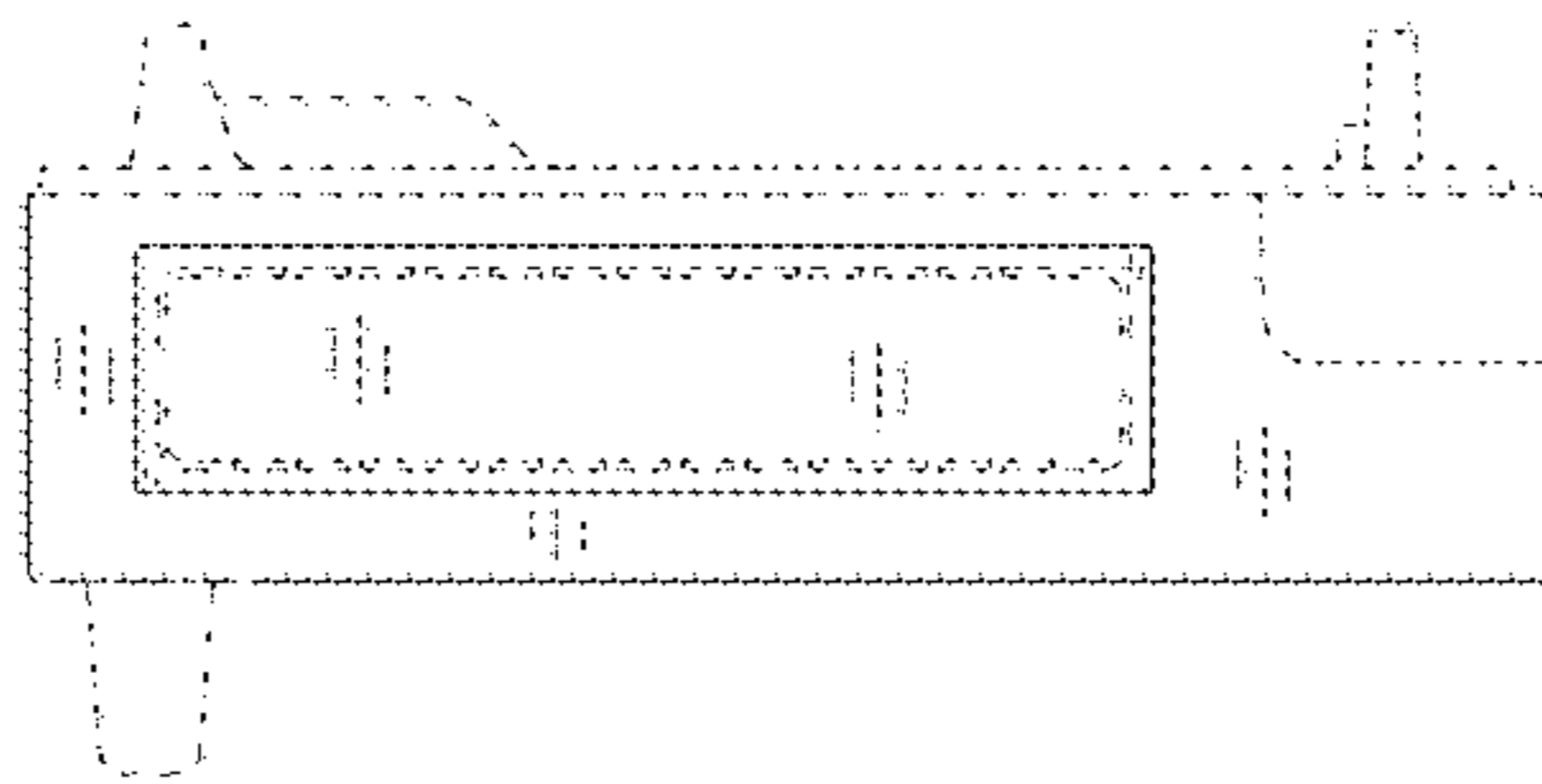


FIG. 35

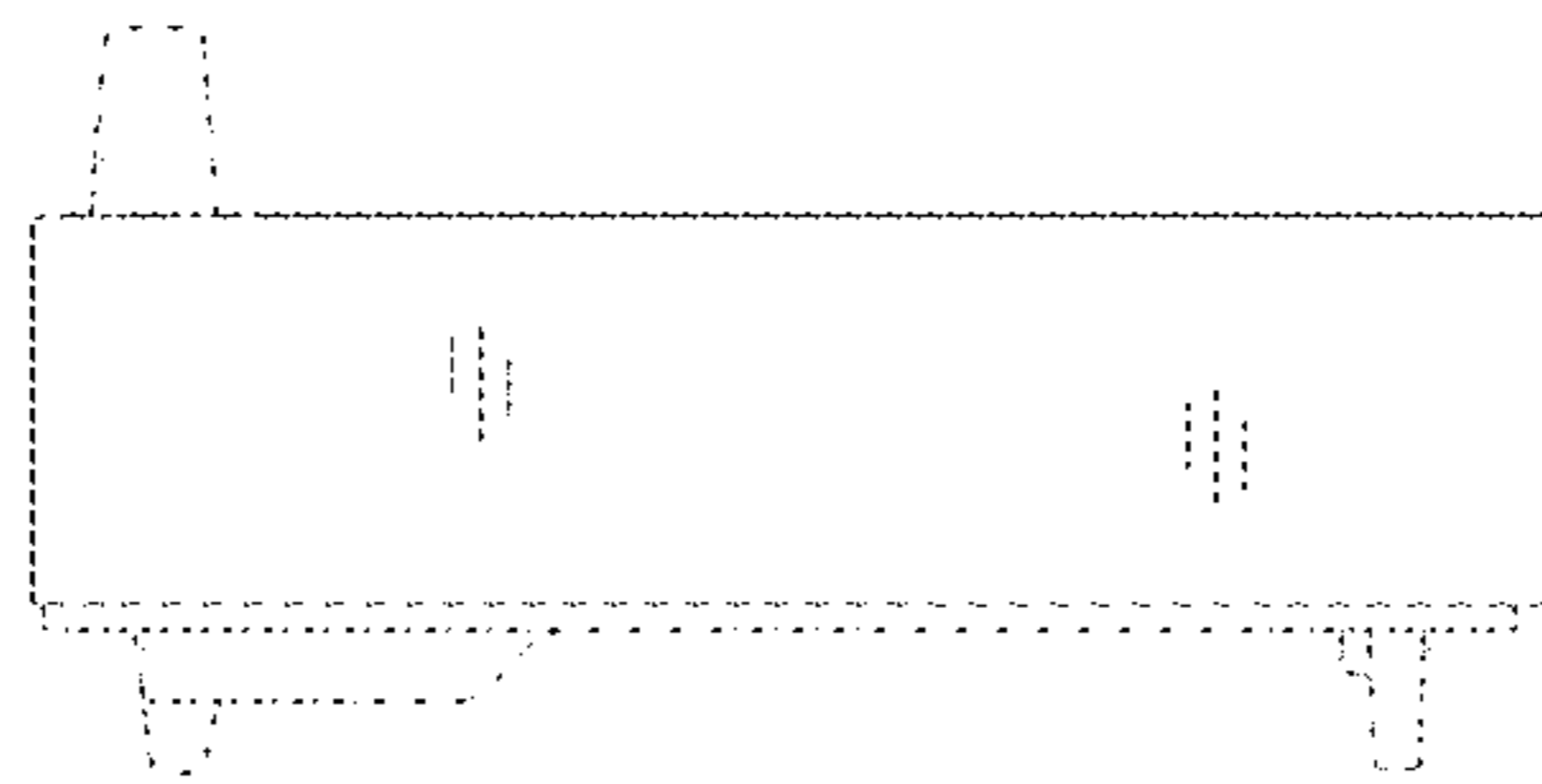


FIG. 36

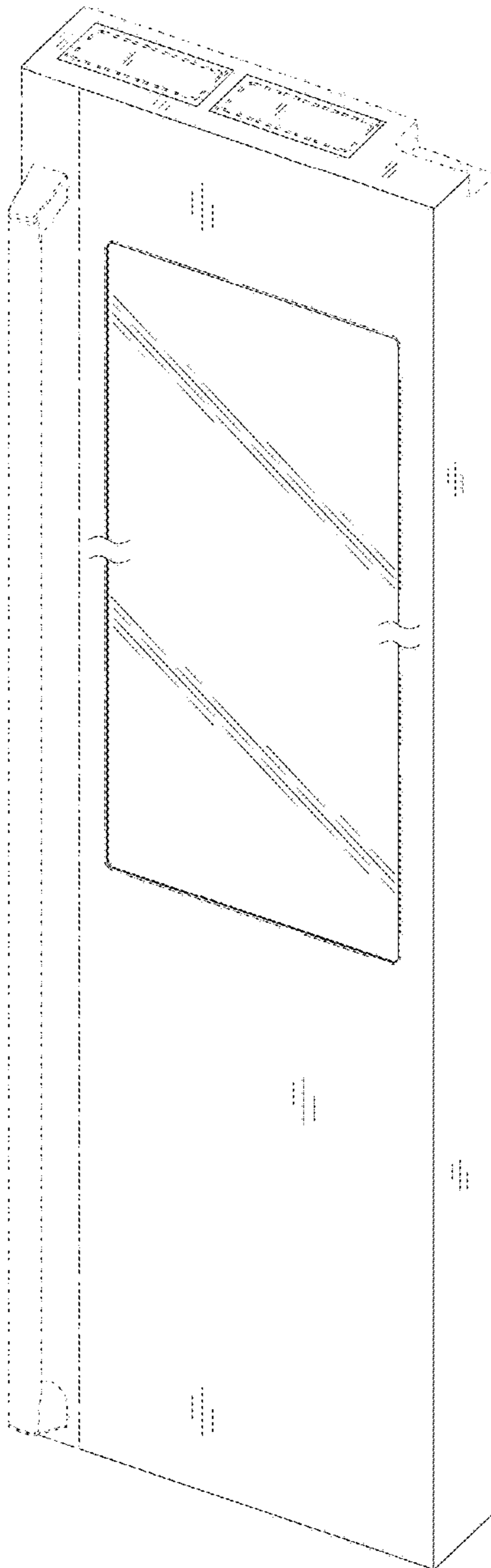


FIG. 37

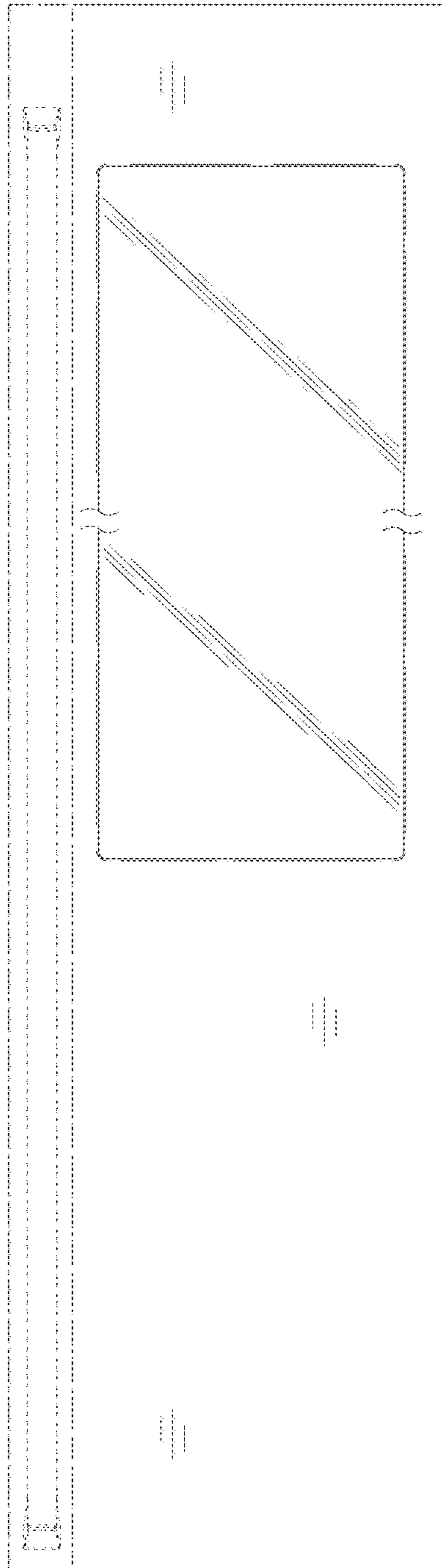


FIG. 38

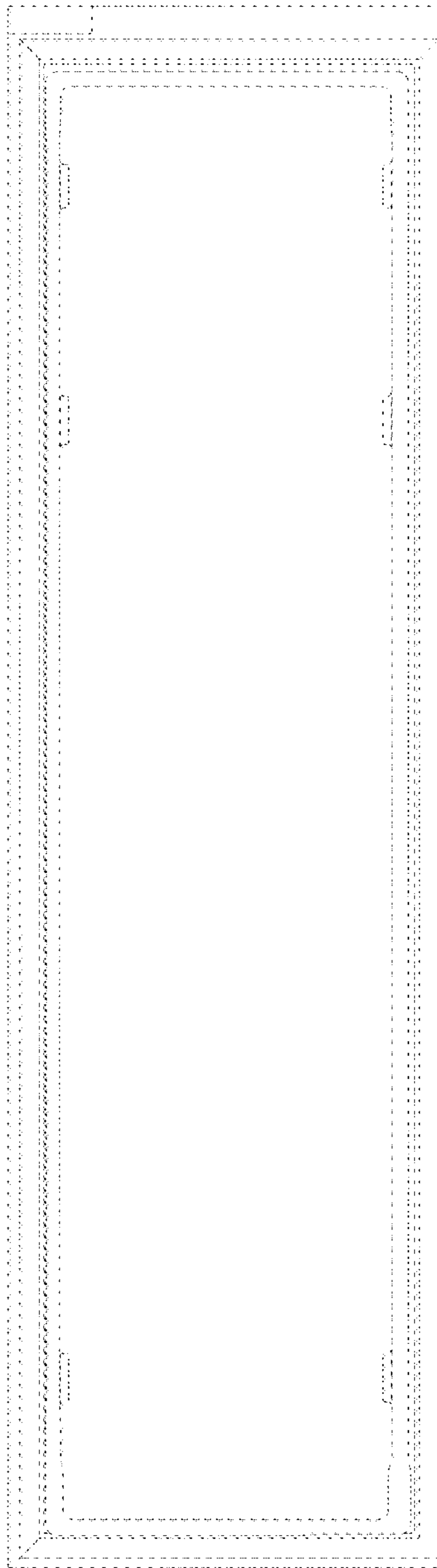


FIG. 39

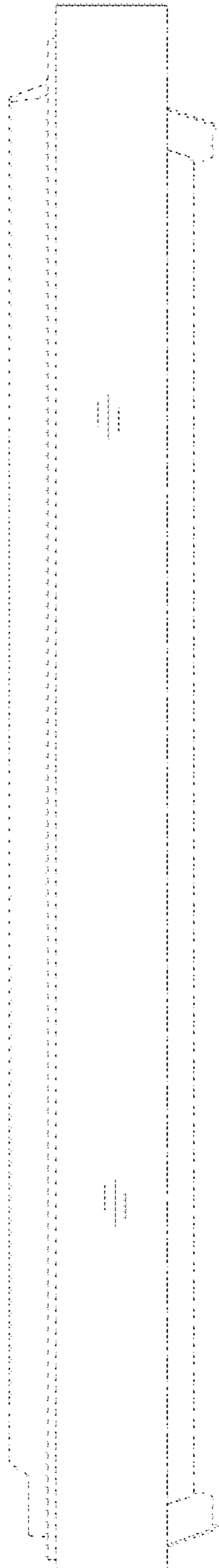


FIG. 40

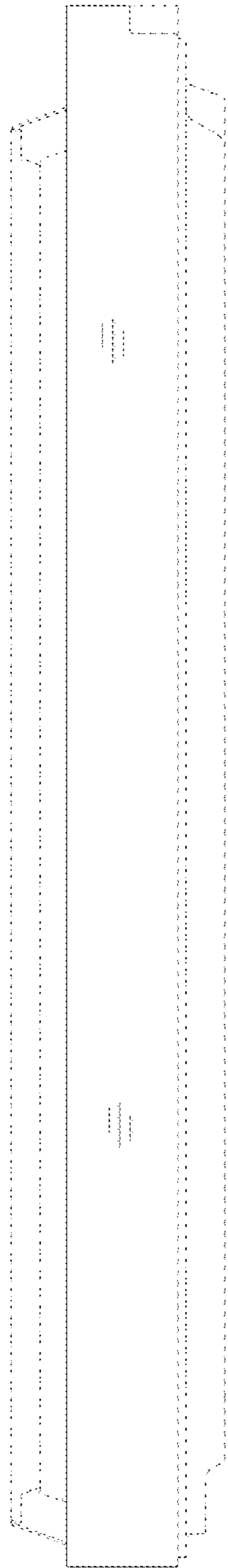


FIG. 41

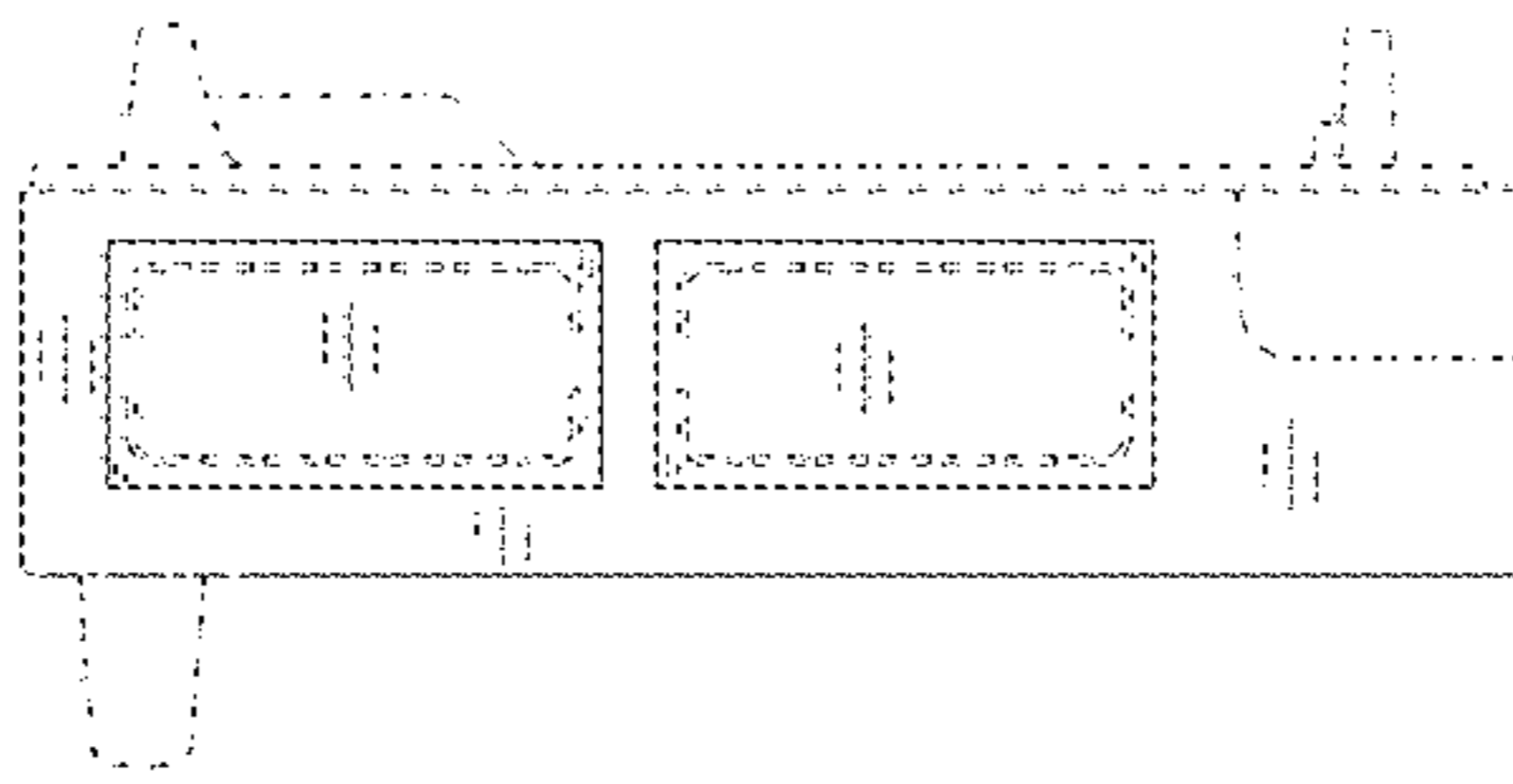


FIG. 42

