

US00D862533S

(12) **United States Design Patent** (10) **Patent No.:** **US D862,533 S**
Yoon et al. (45) **Date of Patent:** **** Oct. 8, 2019**

(54) **REFRIGERATOR DOOR**

(71) Applicant: **Samsung Electronics Co., Ltd.**,
Suwon-si (KR)

(72) Inventors: **Byeong-Cheol Yoon**, Suwon-si (KR);
Daekyun Lee, Suwon-si (KR)

(73) Assignee: **Samsung Electronics Co., Ltd.**,
Suwon-si (KR)

(**) Term: **15 Years**

(21) Appl. No.: **29/625,390**

(22) Filed: **Nov. 9, 2017**

Related U.S. Application Data

(63) Continuation of application No. 29/614,656, filed on
Aug. 22, 2017, which is a continuation of application
No. 29/567,085, filed on Jun. 6, 2016, now Pat. No.
Des. 798,347.

(51) **LOC (12) Cl.** **15-07**

(52) **U.S. Cl.**
USPC **D15/91**

(58) **Field of Classification Search**
USPC D15/79-91
CPC F25D 25/025; F25D 23/028; F25D
2323/024; F25D 23/00; F25D 23/02;
F25D 2323/021; F25D 23/065; F25D
11/00; F25D 2201/14; F25D 23/021;
F25D 23/025; F25D 23/04; F25D 27/00;
F25D 23/062; F25D 23/067; F25D
2400/18; F25D 23/08; F25D 23/085;
F25D 2500/02; F25D 25/00; F25D
25/005; F25D 25/022; F25D 25/024;
F25D 17/047; F25D 2317/041; F25D
2317/04131; F25D 2317/043; F25D
2317/0664; F25D 2321/147; F25D
2323/02; F25D 2323/023

See application file for complete search history.

(56) **References Cited**

U.S. PATENT DOCUMENTS

D730,958 S 6/2015 Choi et al.
D738,941 S 9/2015 Shin et al.
D760,820 S 7/2016 Lee et al.
D760,823 S 7/2016 Lee et al.

(Continued)

Primary Examiner — Khawaja Anwar

(74) *Attorney, Agent, or Firm* — NSIP Law

(57) **CLAIM**

We claim the ornamental design for a refrigerator door, as
shown and described.

DESCRIPTION

FIG. 1 is a front perspective view of a first embodiment of
a refrigerator door showing our new design;

FIG. 2 is a front view thereof;

FIG. 3 is a rear view thereof;

FIG. 4 is a left-side view thereof;

FIG. 5 is a right-side view thereof;

FIG. 6 is a top plan view thereof;

FIG. 7 is a bottom plan view thereof;

FIG. 8 is a front perspective view of a second embodiment
of a refrigerator door showing our new design;

FIG. 9 is a front view of thereof;

FIG. 10 is a rear view of thereof;

FIG. 11 is a left-side view of thereof;

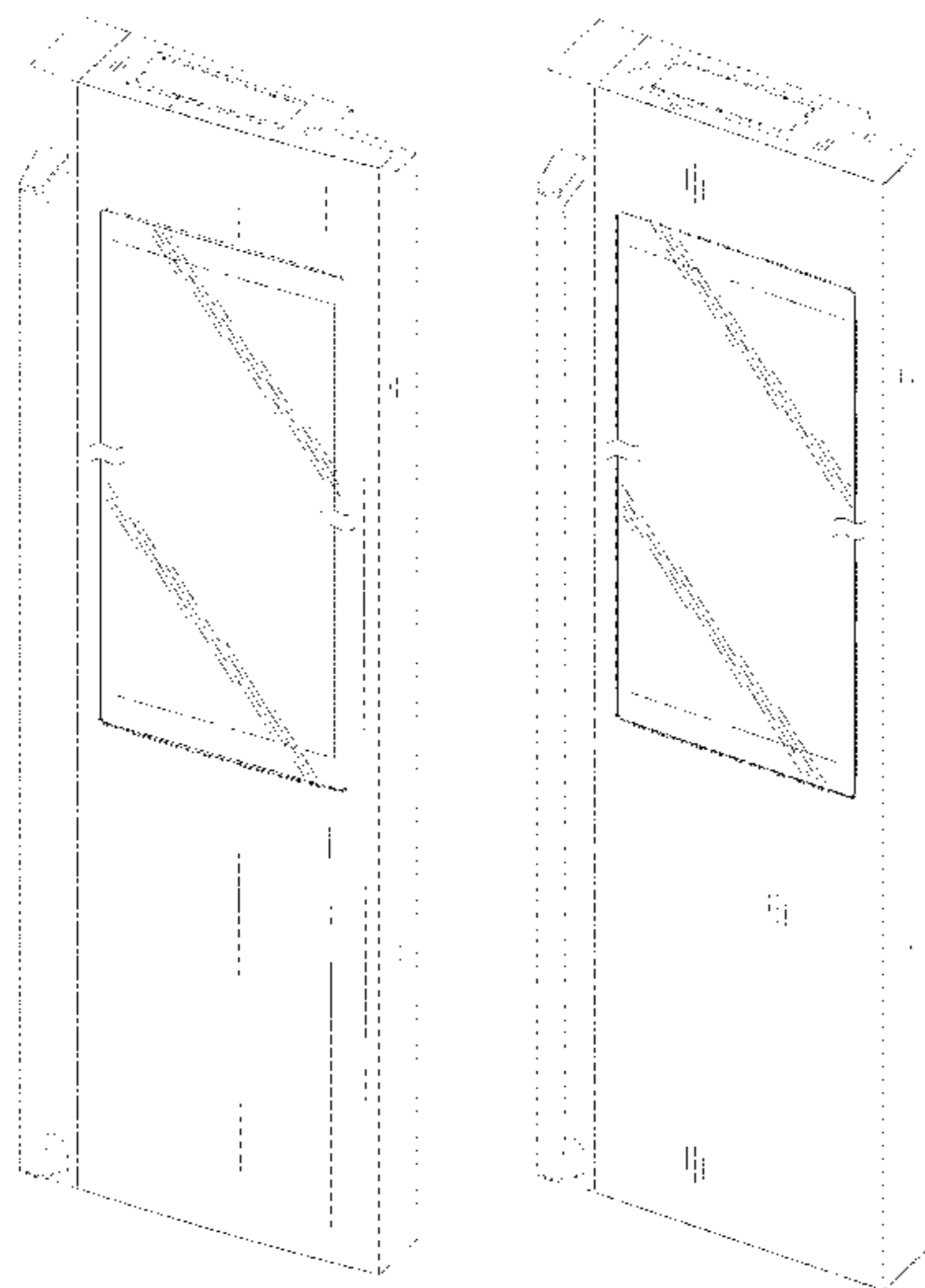
FIG. 12 is a right-side view of thereof;

FIG. 13 is a top plan view of thereof; and,

FIG. 14 is a bottom plan view of thereof.

The evenly spaced broken lines depict portions of the
refrigerator door that form no part of the claimed design. The
uneven dot-dash lines in the figures represent an unclaimed
boundary line and form no part of the claimed design. The
pair of closely adjacent wave dot-dot dash lines forms no
part of the claimed design and the portion between such pair
of wave lines is broken away to disclose intermediate length.

1 Claim, 12 Drawing Sheets



(56)

References Cited

U.S. PATENT DOCUMENTS

D761,336 S	7/2016	Lee et al.	
D768,738 S	10/2016	Lee et al.	
D768,739 S	10/2016	Lee et al.	
D769,948 S	10/2016	Lee et al.	
D783,691 S	4/2017	Kim et al.	
D820,889 S *	6/2018	Yoon	D15/91
D824,965 S *	8/2018	Lee	D15/91
D826,292 S *	8/2018	Lee	D15/88
D826,295 S *	8/2018	Lee	D15/91
D838,299 S *	1/2019	Lee	D15/85
D839,316 S *	1/2019	Choi	D15/85
D839,324 S *	1/2019	Choi	D15/91

* cited by examiner

FIG. 1

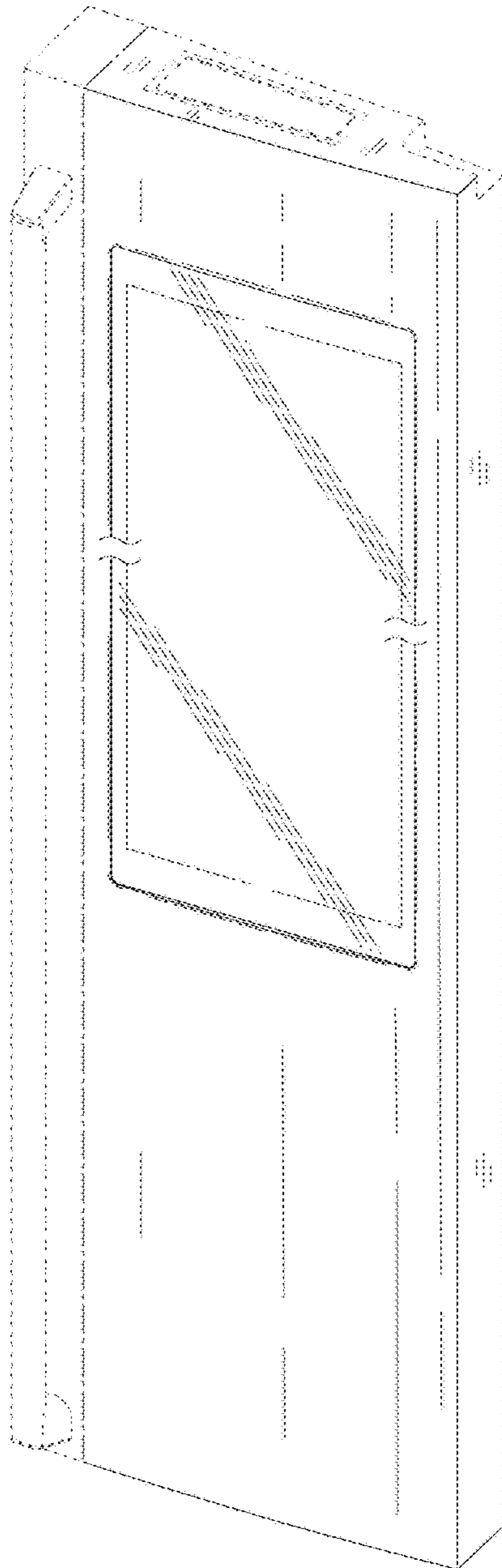


FIG. 2

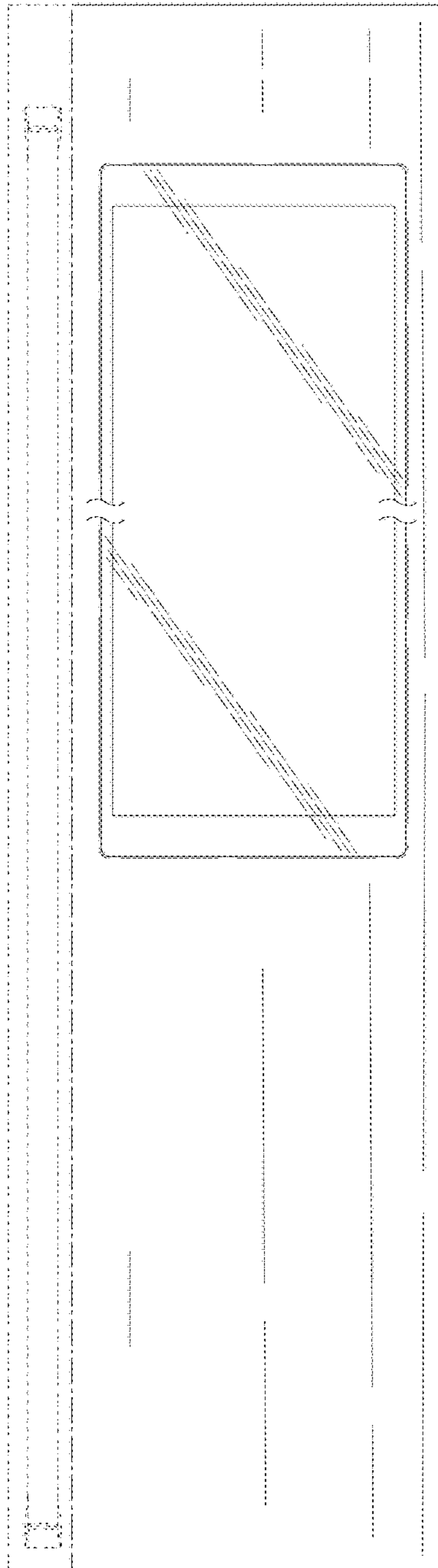


FIG. 3

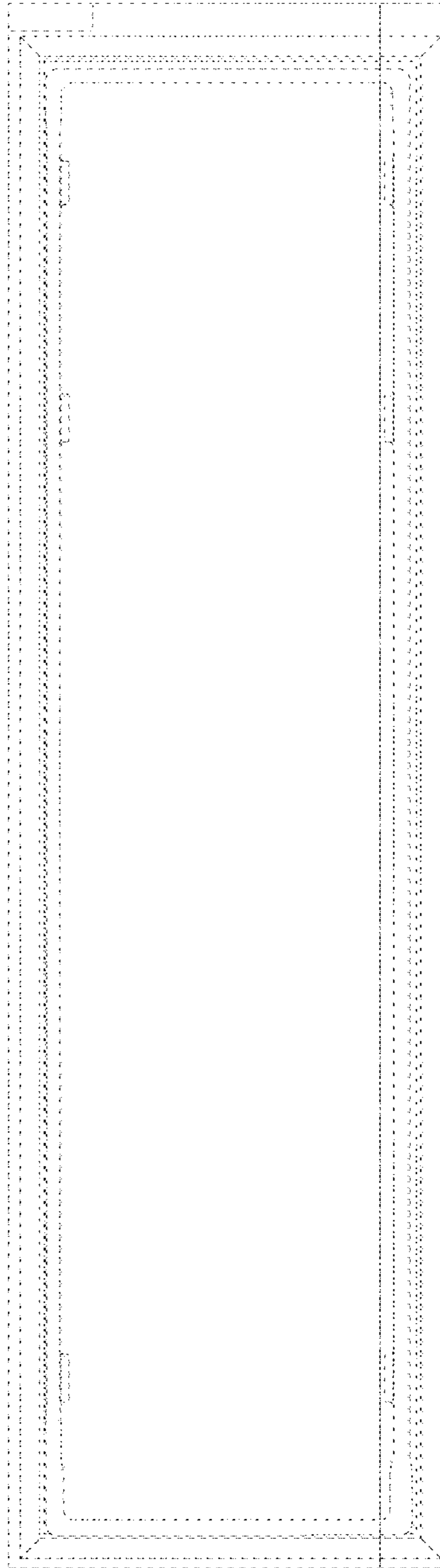


FIG. 4

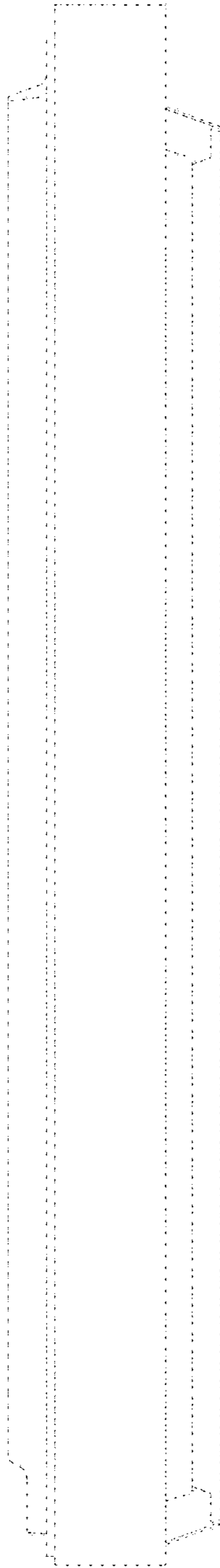


FIG. 5

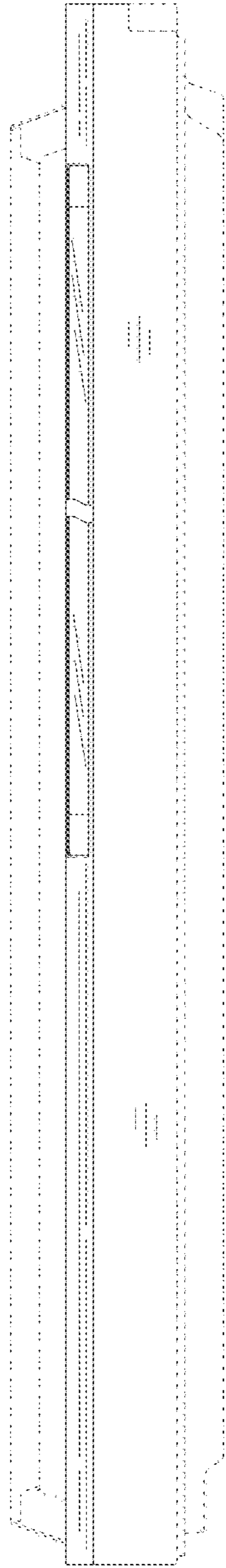


FIG. 6

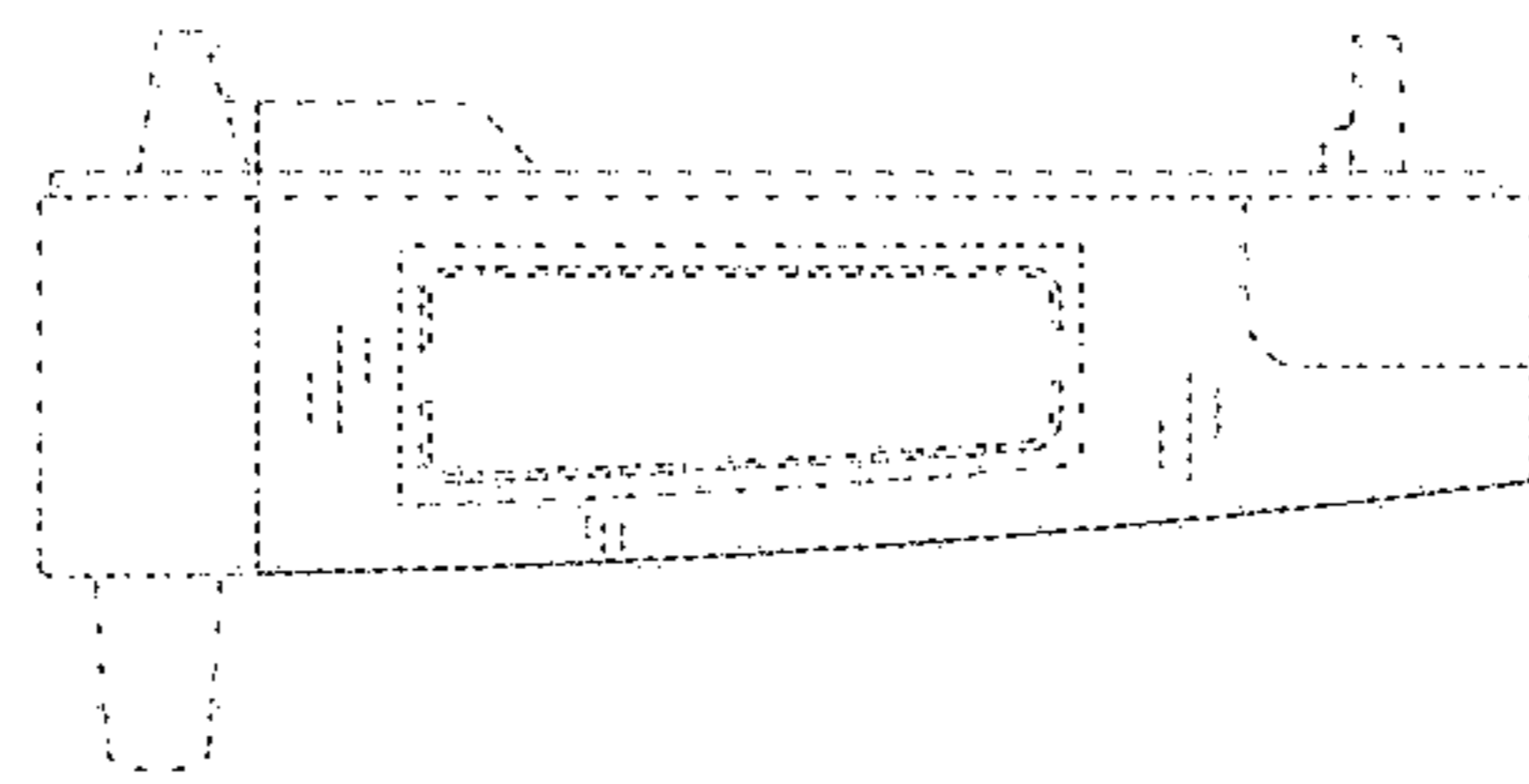


FIG. 7

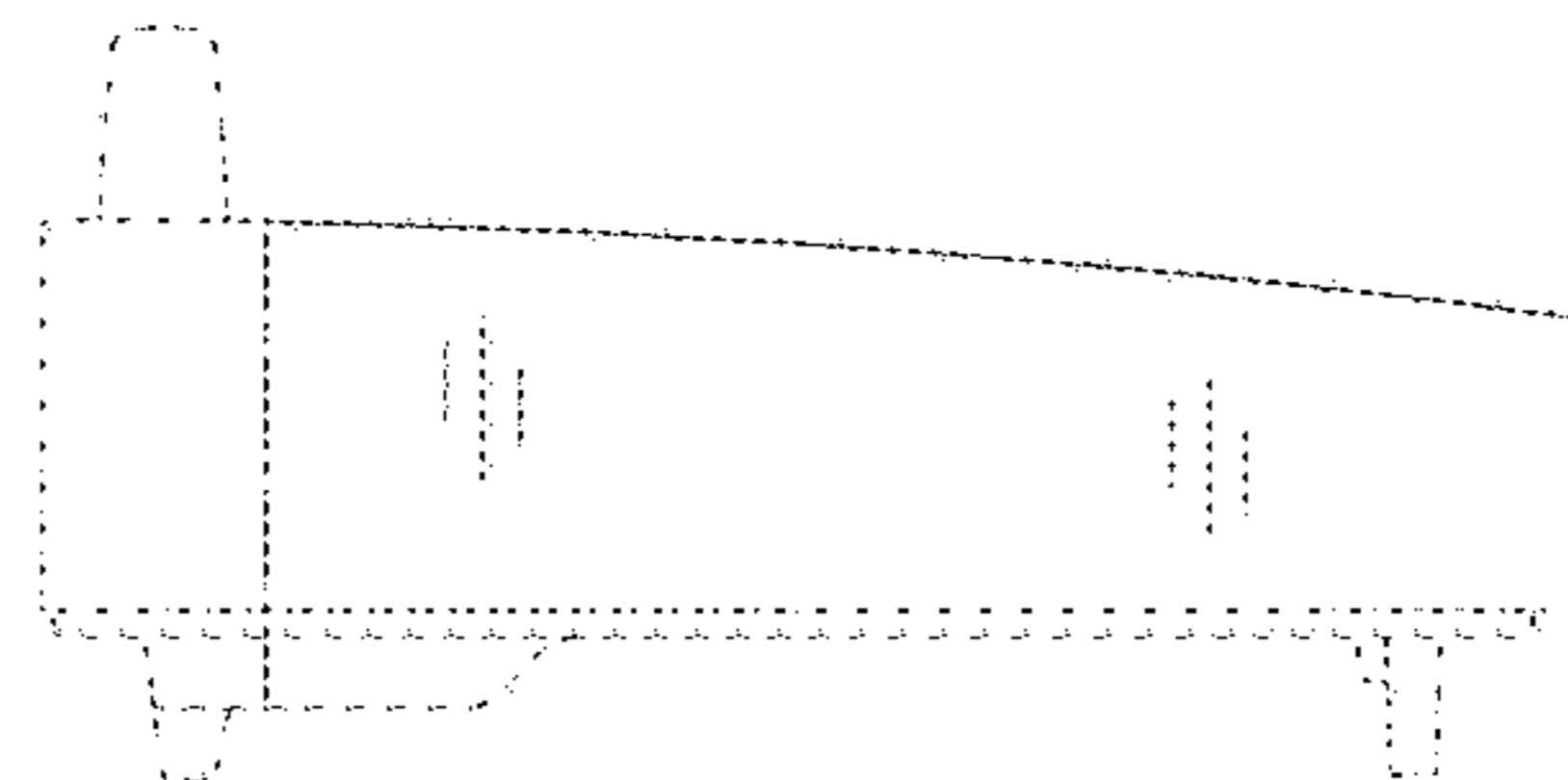


FIG. 8

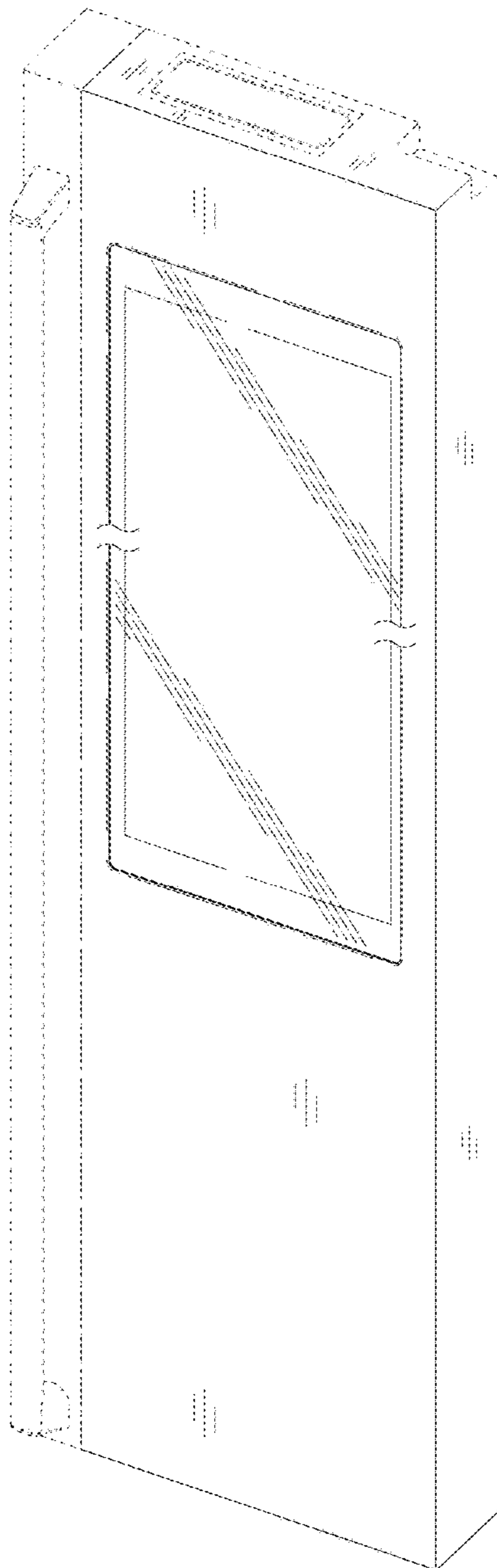


FIG. 9

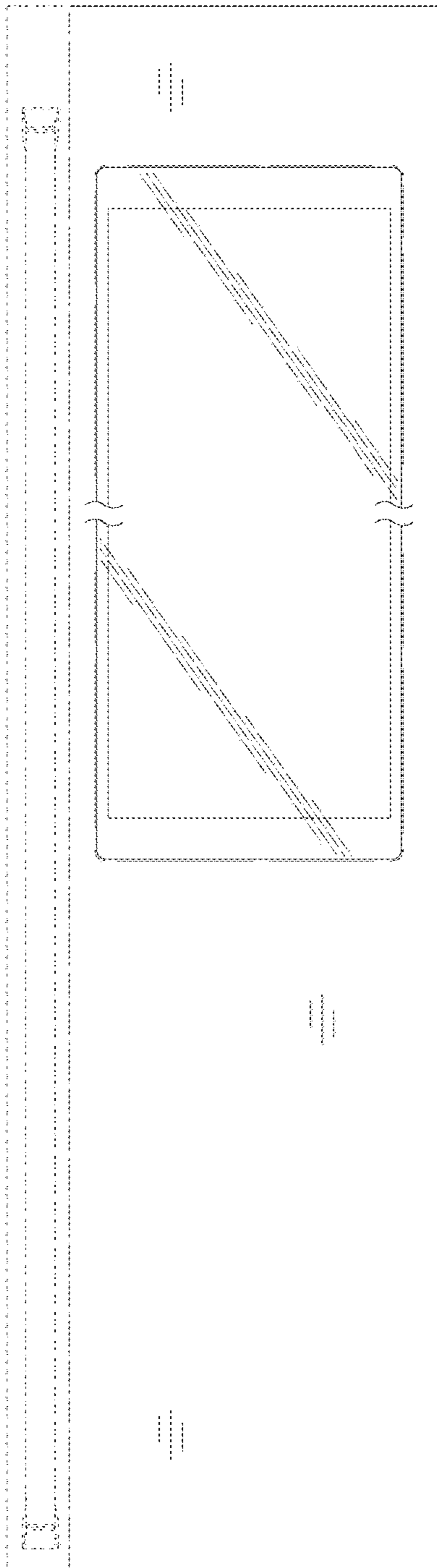


FIG. 10

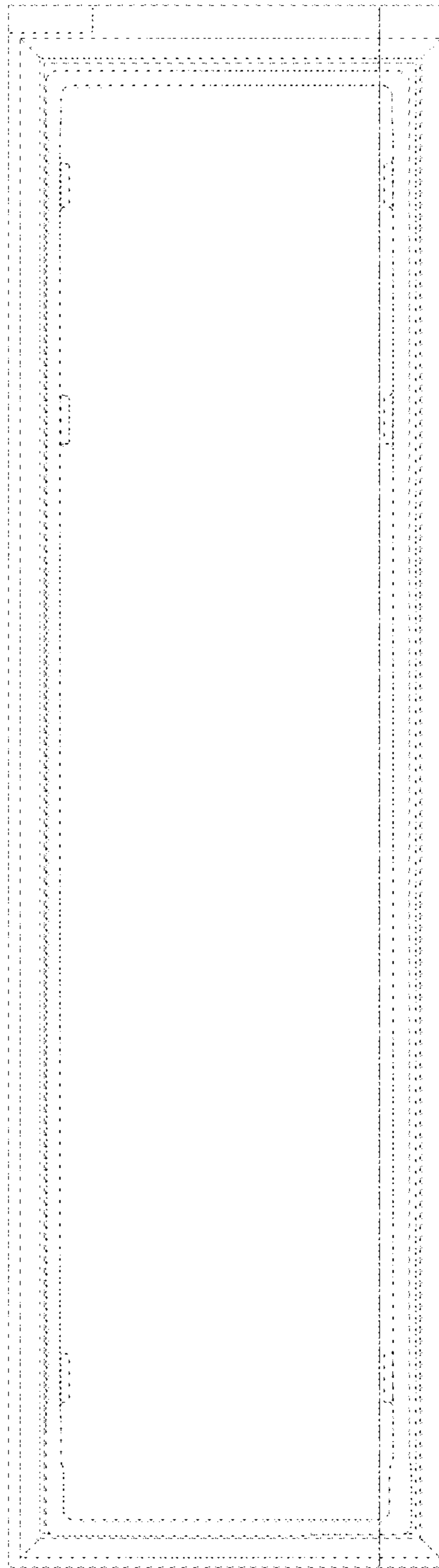


FIG. 11

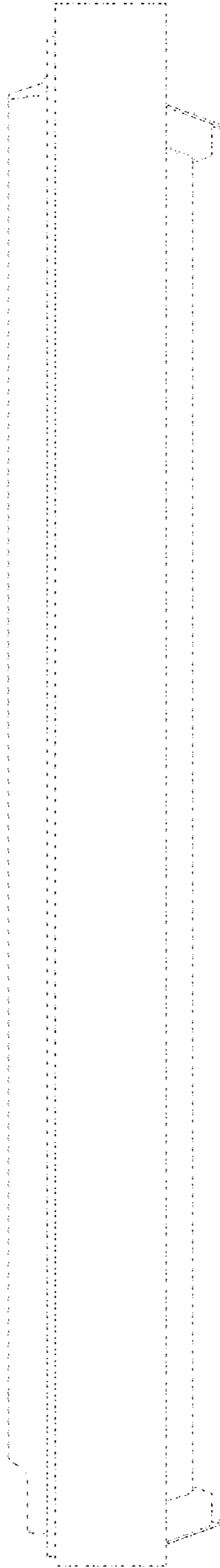


FIG. 12

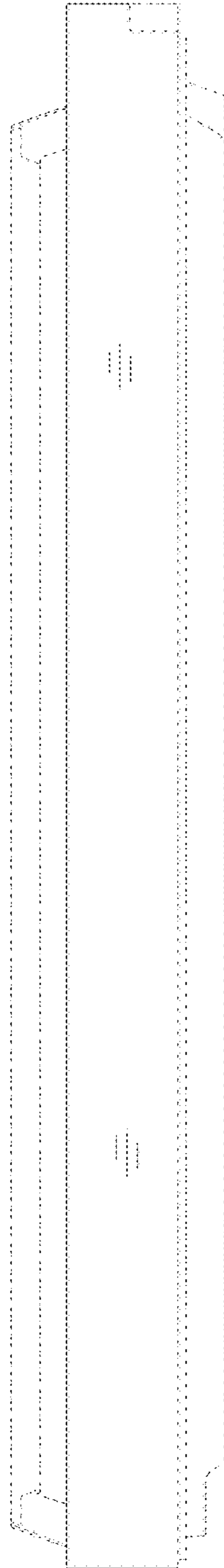


FIG. 13

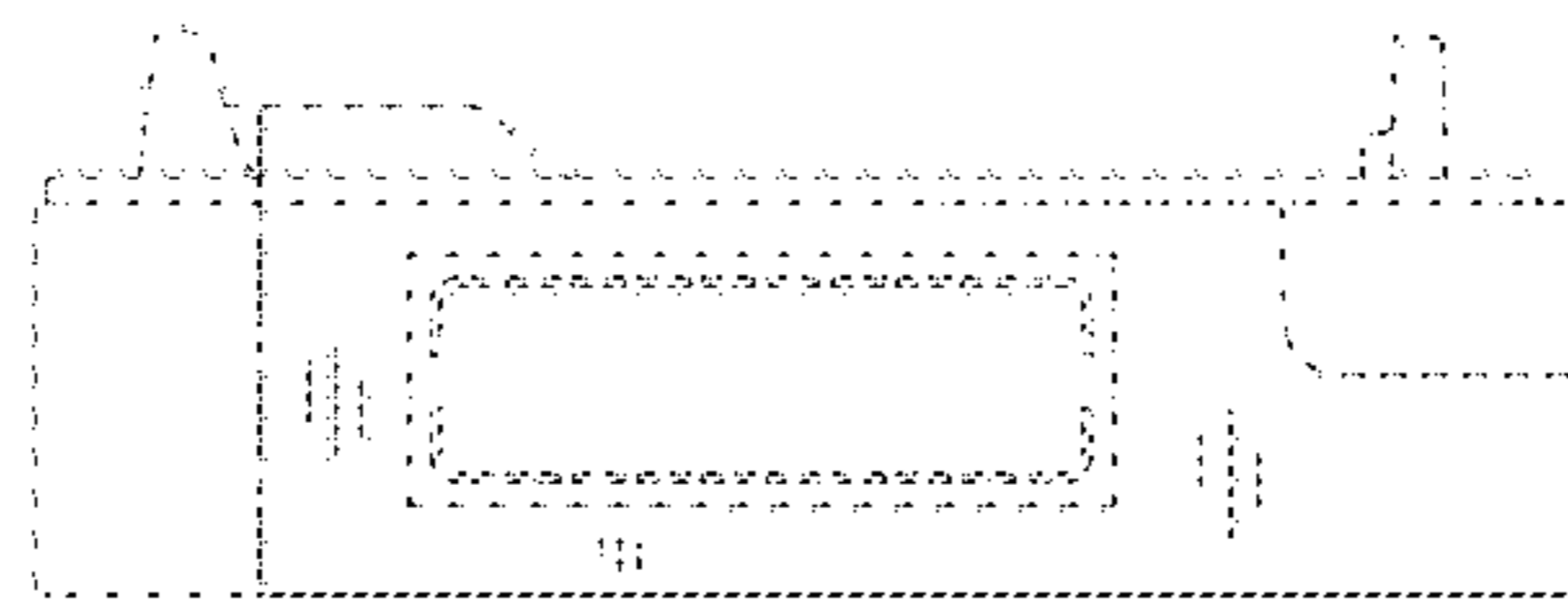


FIG. 14

