



US00D862531S

(12) **United States Design Patent** (10) **Patent No.:** **US D862,531 S**
Lee et al. (45) **Date of Patent:** **** Oct. 8, 2019**

(54) **DRAWER FOR REFRIGERATOR**

2317/043; F25D 2317/0664; F25D 2321/147; F25D 2323/02; F25D 2323/023

(71) Applicant: **LG ELECTRONICS INC.**, Seoul (KR)

See application file for complete search history.

(72) Inventors: **Wonjun Lee**, Seoul (KR); **Hongsik Kwon**, Seoul (KR); **Sooyeon Kim**, Seoul (KR); **Suhyeon Son**, Seoul (KR)

(56) **References Cited**

U.S. PATENT DOCUMENTS

2,455,182	A	*	11/1948	La Vallee	F25D 25/025 312/270.3
D656,968	S	*	4/2012	Hwang	D15/86
D658,213	S	*	4/2012	Seo	D15/86
D658,214	S	*	4/2012	Seo	D15/86
D676,468	S	*	2/2013	Lee	D15/89
D677,289	S	*	3/2013	Seo	D15/90
D685,010	S	*	6/2013	Seo	D15/86
D706,314	S	*	6/2014	Seo	D15/89
D730,954	S	*	6/2015	Choi	D15/89
D730,957	S	*	6/2015	You	D15/91

(Continued)

Primary Examiner — Richard E Chilcot

(74) *Attorney, Agent, or Firm* — Birch, Stewart, Kolasch & Birch, LLP

(73) Assignee: **LG ELECTRONICS INC.**, Seoul (KR)

(**) Term: **15 Years**

(21) Appl. No.: **35/505,554**

(22) Filed: **Feb. 27, 2018**

(80) **Hague Agreement Data**

Int. Filing Date: **Feb. 27, 2018**

Int. Reg. No.: **DM/100164**

Int. Reg. Date: **Feb. 27, 2018**

Int. Reg. Pub. Date: **Aug. 31, 2018**

(57) **CLAIM**

The ornamental design for a drawer for refrigerator, as shown and described.

(30) **Foreign Application Priority Data**

Aug. 29, 2017 (KR) 30-2017-0040138

(51) **LOC (12) Cl.** **15-07**

(52) **U.S. Cl.**

USPC **D15/89**

CPC **F25D 25/02** (2013.01)

(58) **Field of Classification Search**

USPC D15/79-91

CPC F25D 25/025; F25D 23/028; F25D 2323/024; F25D 23/00; F25D 23/02; F25D 2323/021; F25D 23/065; F25D 11/00; F25D 2201/14; F25D 23/021; F25D 23/04; F25D 27/00; F25D 23/062; F25D 23/067; F25D 2400/18; F25D 23/08; F25D 23/085; F25D 2500/02; F25D 25/00; F25D 25/005; F25D 25/022; F25D 25/024; F25D 17/047; F25D 2317/041; F25D 2317/04131; F25D

DESCRIPTION

1. Drawer for refrigerator

1.1 : Perspective

1.2 : Front

1.3 : Back

1.4 : Left

1.5 : Right

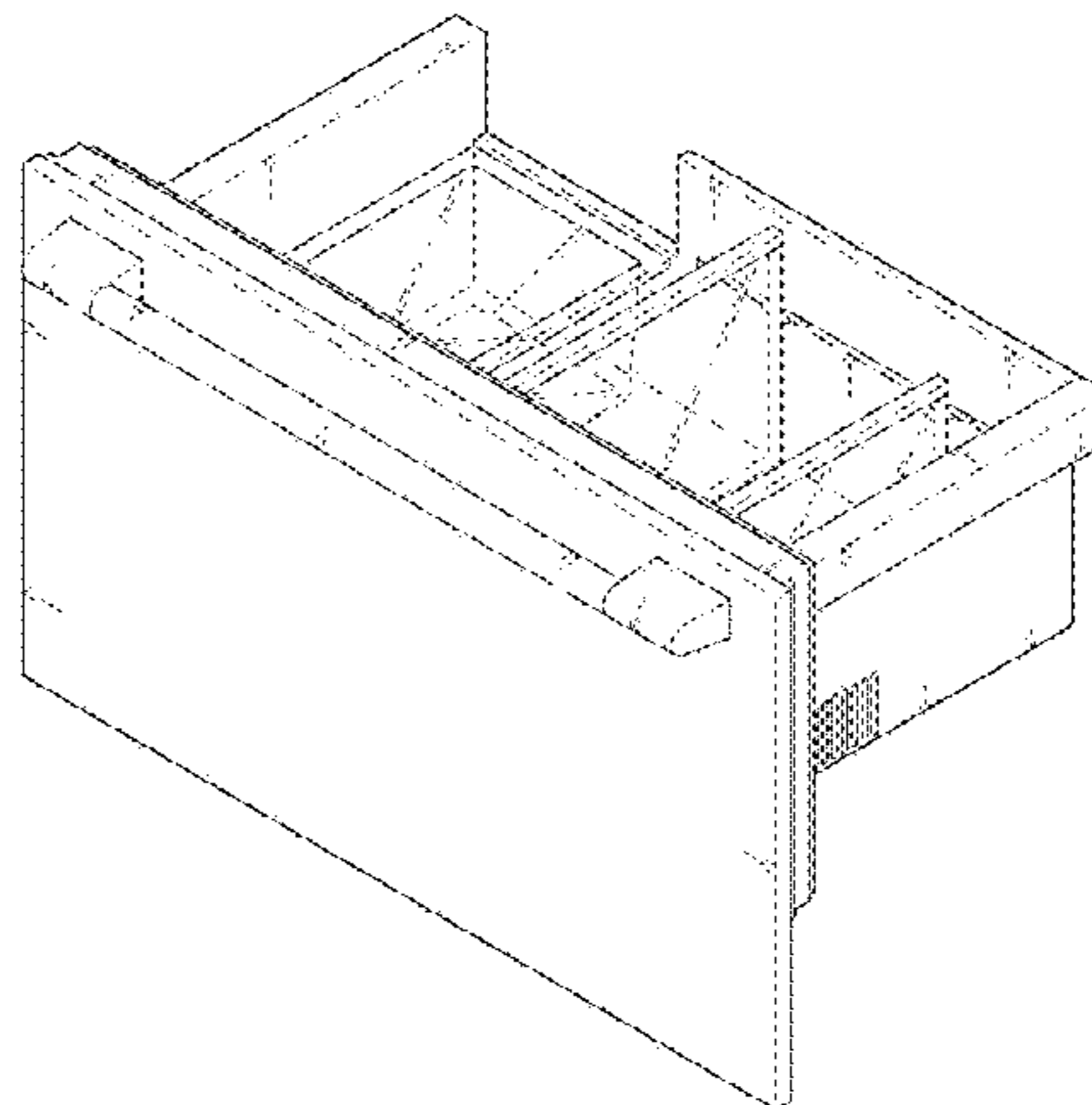
1.6 : Top

1.7 : Bottom

The broken lines depict portions of the drawer for refrigerator that form no part of the claimed design; reproduction

1.1 is a perspective view of the drawer for refrigerator; reproduction **1.2** is a front view thereof; reproduction **1.3** is a back view thereof; reproduction **1.4** is a left view thereof;

(Continued)



reproduction 1.5 is a right view thereof; reproduction 1.6 is a top view thereof; reproduction 1.7 is a bottom view thereof.

1 Claim, 7 Drawing Sheets

(56)

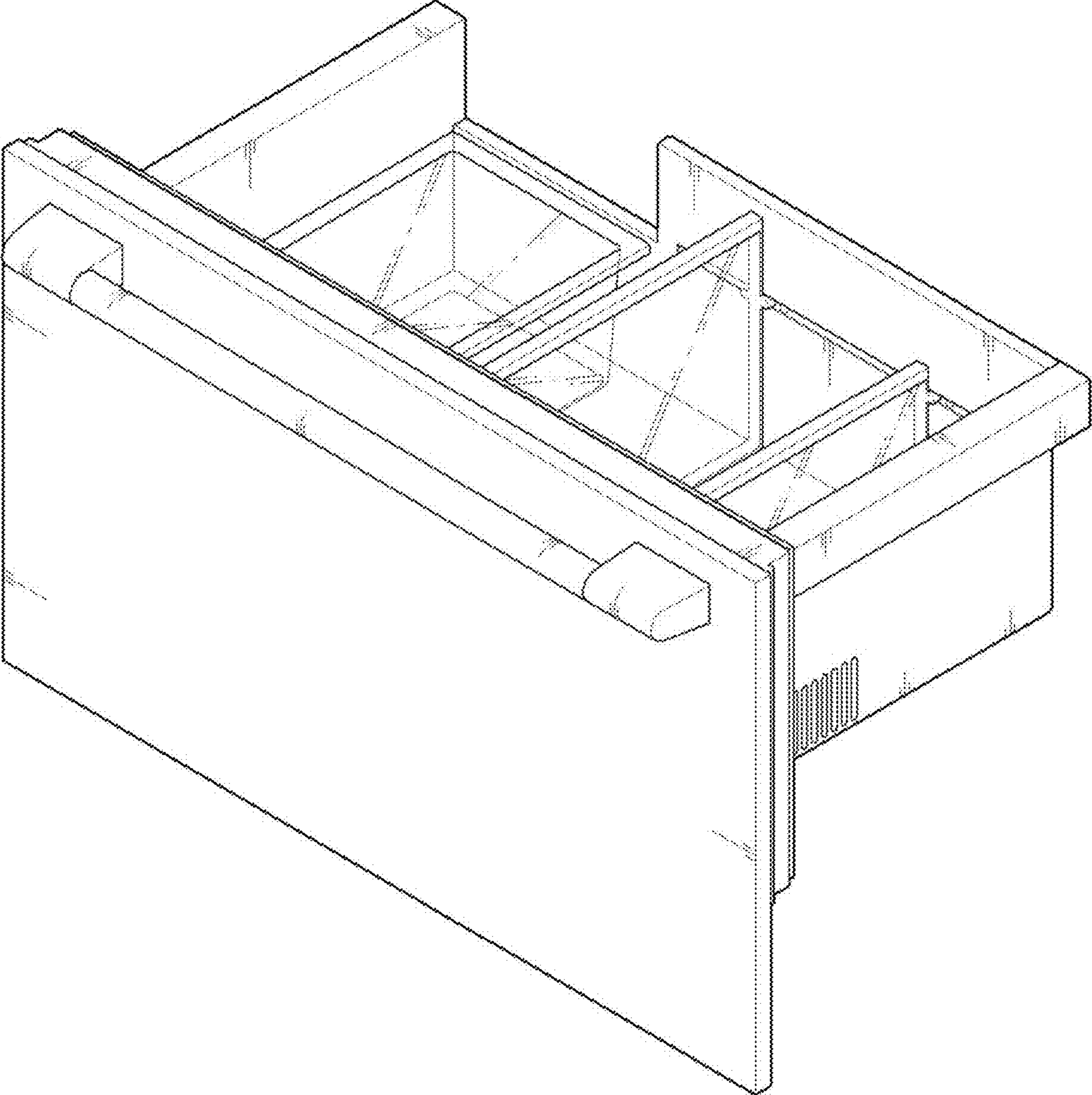
References Cited

U.S. PATENT DOCUMENTS

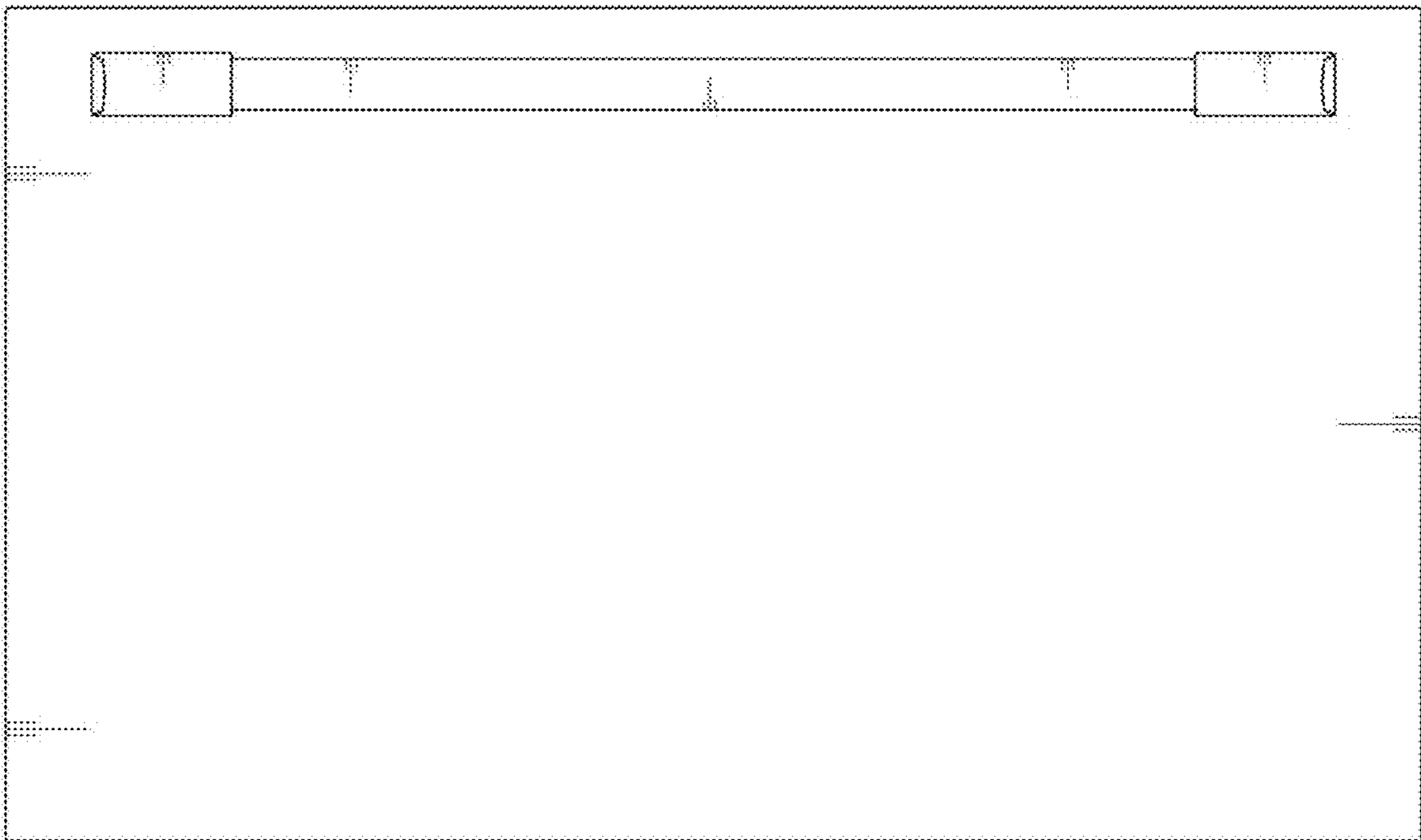
D731,562 S *	6/2015	You	D15/89
D737,869 S *	9/2015	Seo	D15/91
D743,454 S *	11/2015	Yeo	D15/89
D774,114 S *	12/2016	Lee	D15/89
D786,949 S *	5/2017	Onrat	D15/89
D802,631 S *	11/2017	Seo	D15/90
D815,857 S *	4/2018	Herring	D6/574
D823,357 S *	7/2018	Hsieh	D15/89
D828,409 S *	9/2018	Choi	D15/89
D828,410 S *	9/2018	Choi	D15/89
D828,411 S *	9/2018	Choi	D15/89
D839,322 S *	1/2019	Choi	D15/89
D839,931 S *	2/2019	Choi	D15/89
D839,932 S *	2/2019	Choi	D15/89
D839,933 S *	2/2019	Choi	D15/89

* cited by examiner

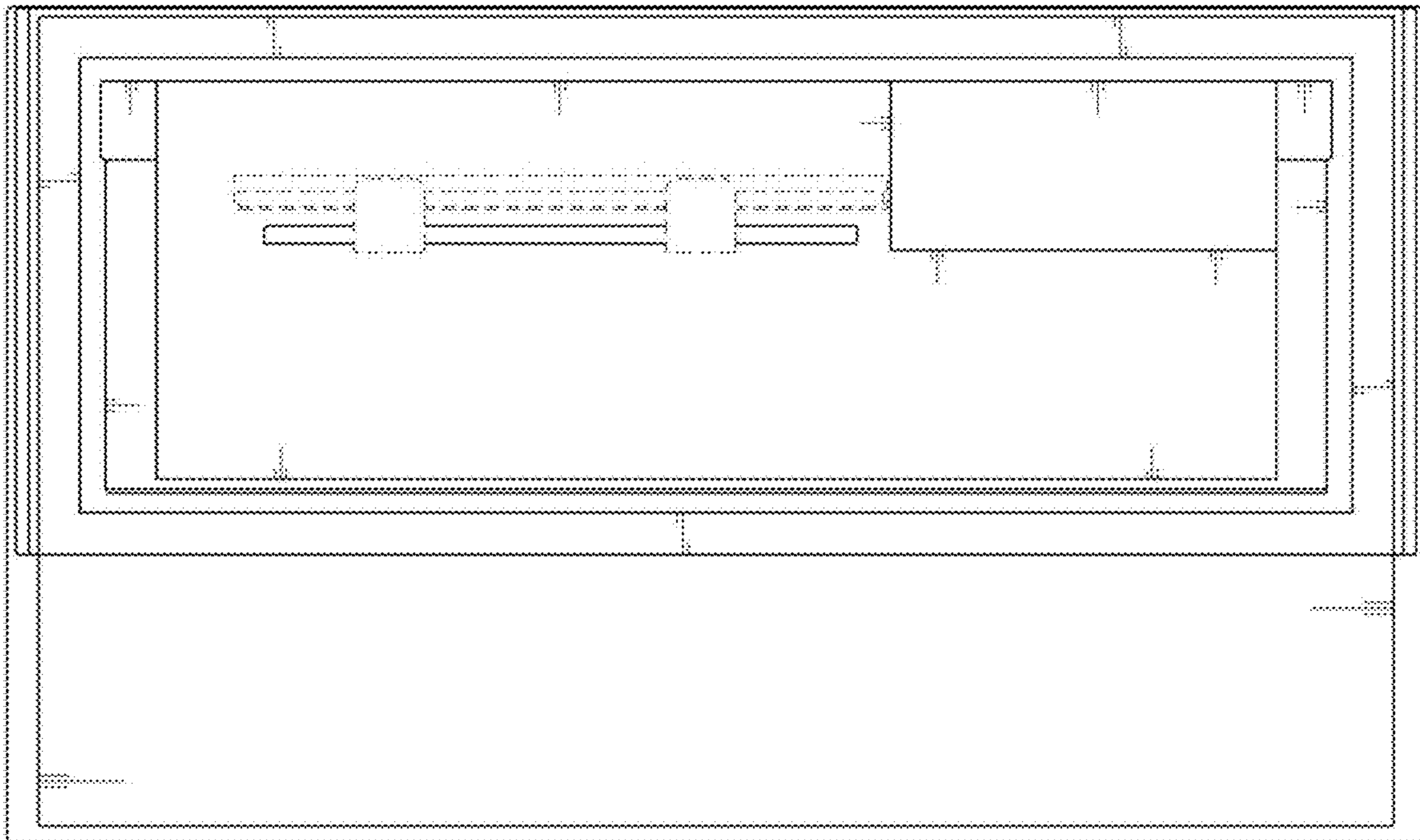
1.1



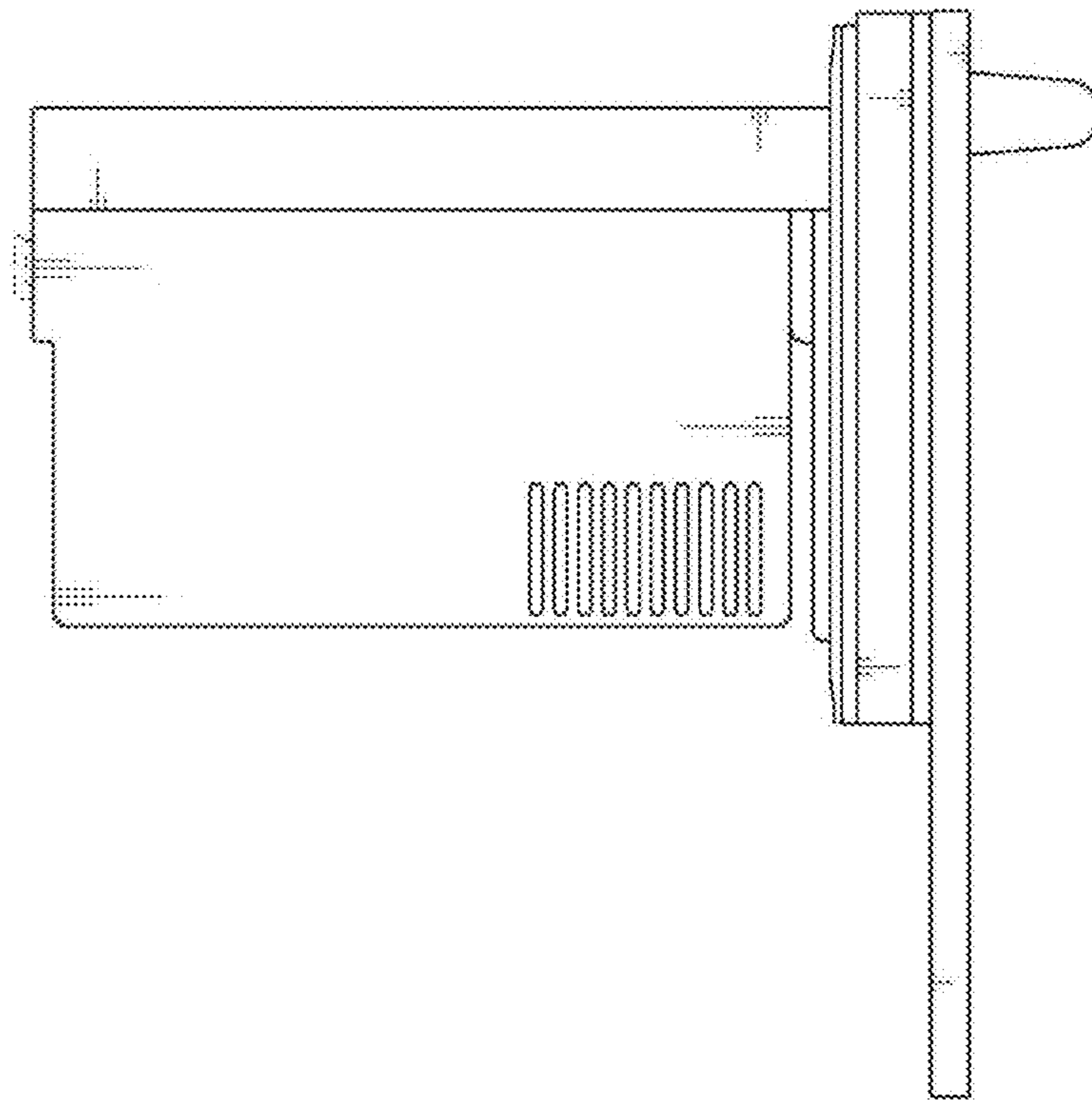
1.2

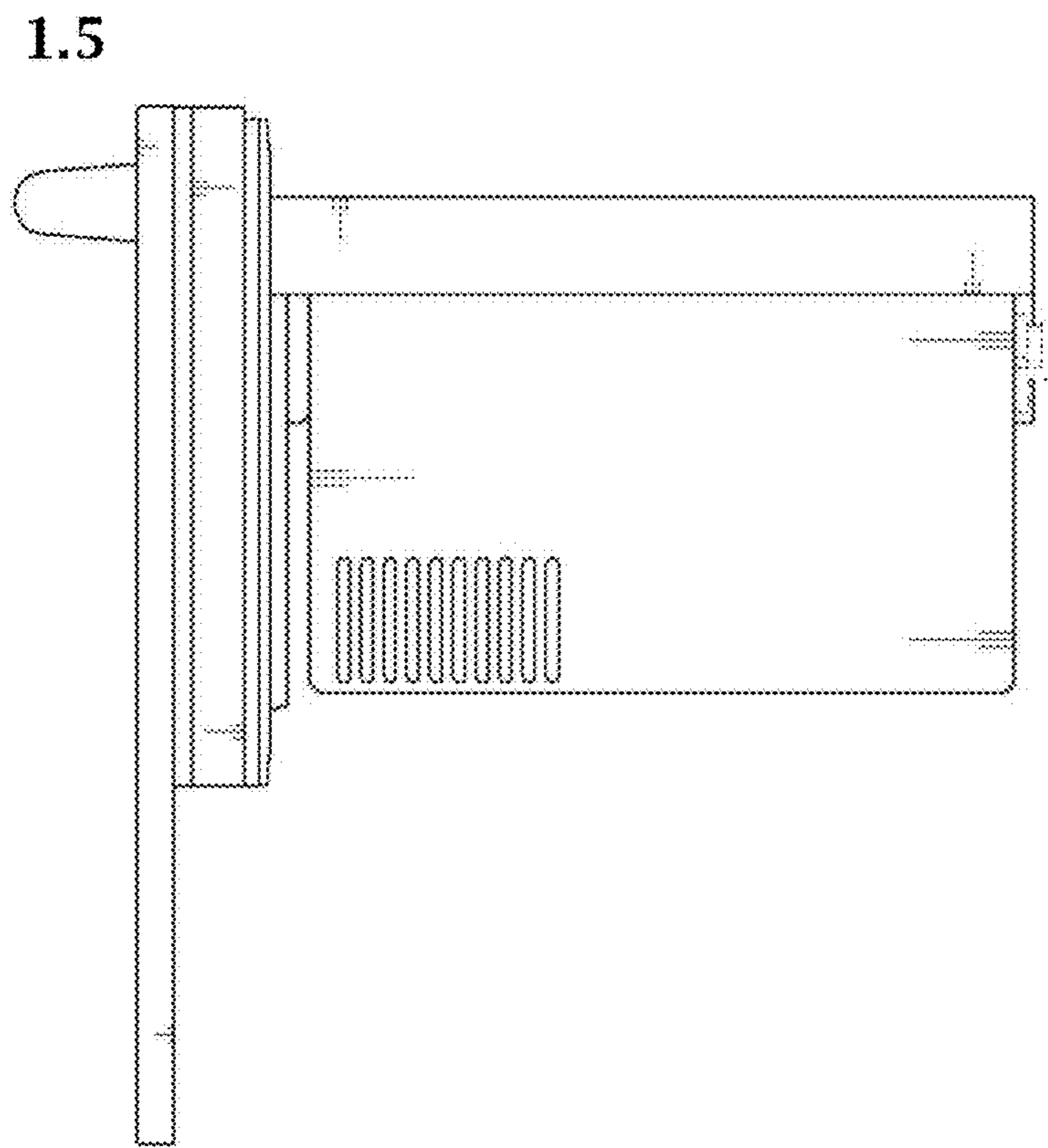


1.3

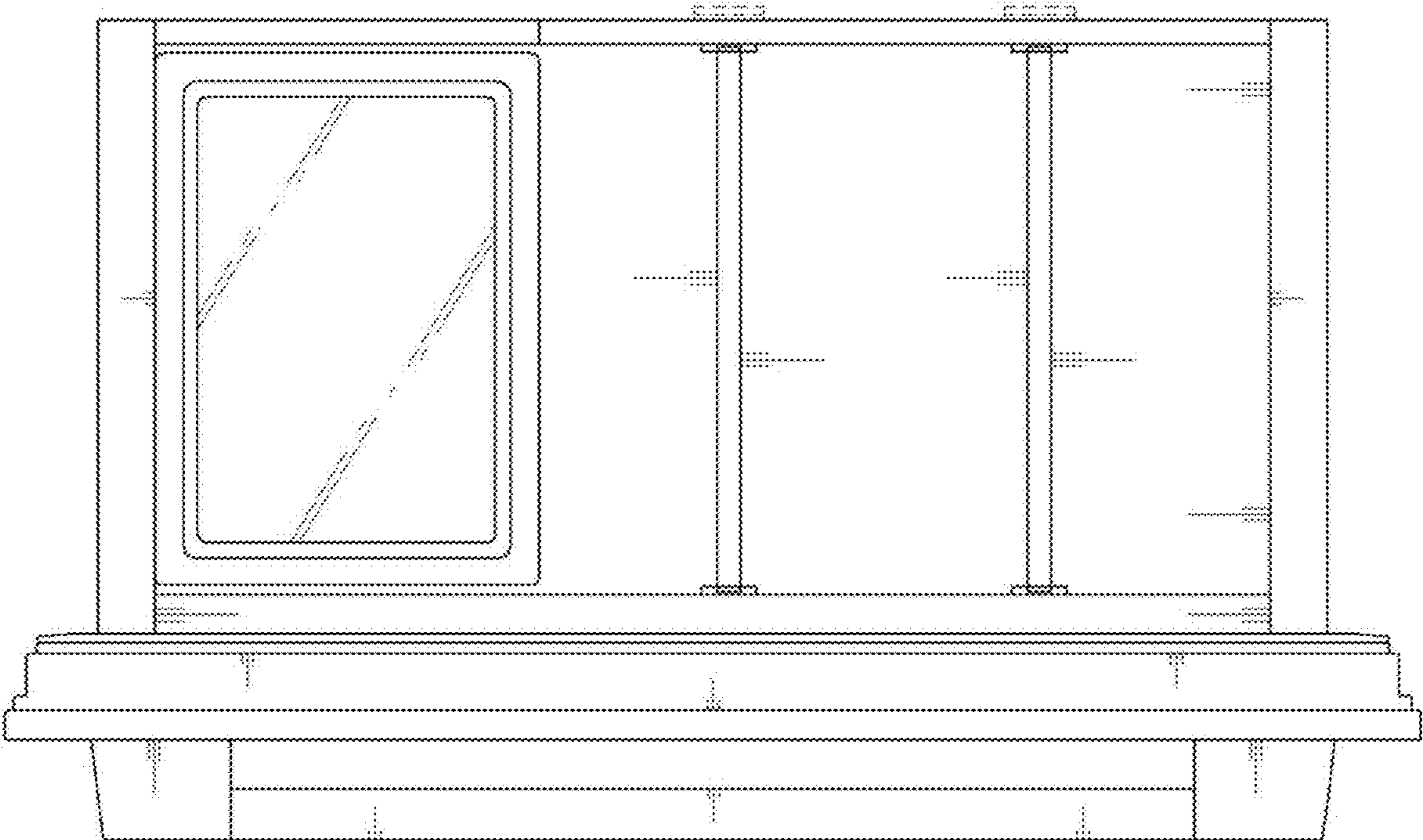


1.4





1.6



1.7

