



US00D862529S

(12) **United States Design Patent** (10) **Patent No.:** **US D862,529 S**
Wright (45) **Date of Patent:** **** Oct. 8, 2019**

(54) **APPLIANCE**

F25D 2600/02; F25D 2700/02; F25D
2700/12; F25D 2700/121; F25D 2700/14;
F25D 29/00

(71) Applicant: **Conopco, Inc.**, Englewood Cliffs, NJ
(US)

See application file for complete search history.

(72) Inventor: **Matthew Paul Wright**, Newmarket
(GB)

(56) **References Cited**

U.S. PATENT DOCUMENTS

(73) Assignee: **Conopco, Inc.**, Englewood Cliffs, NJ
(US)

D40,381 S *	11/1909	Bunnell	D15/82
D307,754 S *	5/1990	Osrow	D15/82
D365,496 S *	12/1995	McLinden	D7/376
D378,215 S *	2/1997	Gander	D15/82
D535,668 S *	1/2007	Moore	D15/82
D671,568 S *	11/2012	Pelayo	D15/82
D760,305 S *	6/2016	Salin	D15/82

(**) Term: **15 Years**

* cited by examiner

(21) Appl. No.: **29/569,851**

(22) Filed: **Jun. 30, 2016**

Primary Examiner — Khawaja Anwar

(30) **Foreign Application Priority Data**

(74) *Attorney, Agent, or Firm* — Gerard J. McGowan, Jr.

Jan. 7, 2016	(EM)	002937375-0001
Jan. 7, 2016	(EM)	002937375-0002
Jan. 7, 2016	(EM)	002937375-0003
Jan. 7, 2016	(EM)	002937375-0004

(57) **CLAIM**

An ornamental design for an appliance, as shown and described.

(51) **LOC (12) Cl.** **15-07**

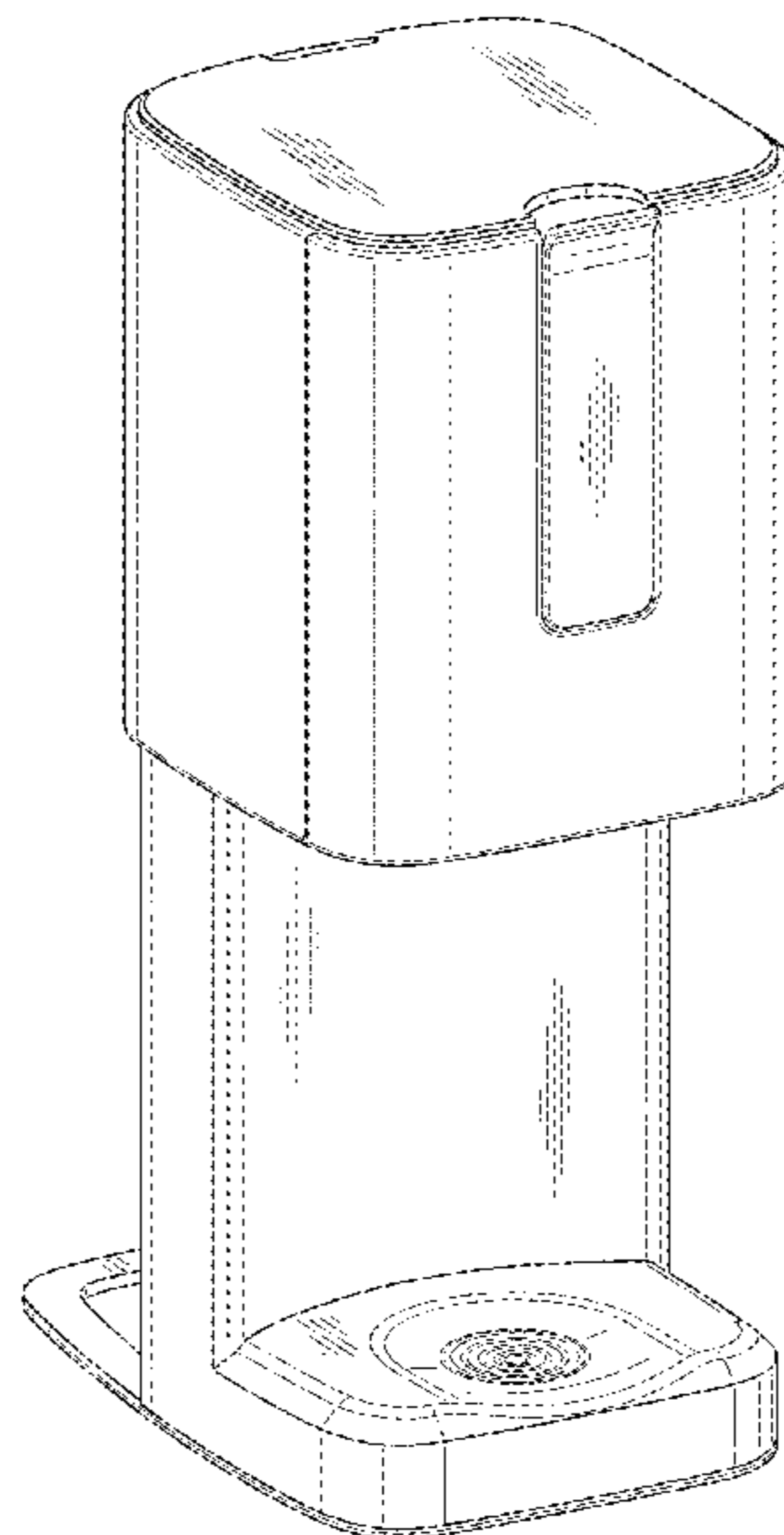
(52) **U.S. Cl.**
USPC **D15/82**

DESCRIPTION

(58) **Field of Classification Search**
USPC D15/79-91; D7/300, 303-311
CPC .. F25D 11/00; F25D 17/065; F25D 2325/022;
F25D 23/069; F25D 25/025; F25D 11/02;
F25D 17/062; F25D 21/12; F25D 21/125;
F25D 21/14; F25D 2317/061; F25D
2317/067; F25D 2323/021; F25D
2323/024; F25D 23/028; F25D 23/04;
F25D 23/066; F25D 23/085; F25D
23/087; F25D 23/126; F25D 2400/02;
F25D 2400/06; F25D 2400/361; F25D
2400/40; F25D 25/005; F25D 25/02;

FIG. 1 is a perspective view of an appliance in accordance with a first embodiment of our new design,
FIG. 2 is a front view of an appliance in accordance with our new design of FIG. 1,
FIG. 3 is a rear view of an appliance in accordance with our new design of FIG. 1,
FIG. 4 is a left side view of an appliance in accordance with our new design of FIG. 1,
FIG. 5 is a right side view of an appliance in accordance with our new design of FIG. 1,
FIG. 6 is a top plan view of an appliance in accordance with our new design of FIG. 1; and,
FIG. 7 is an underneath plan view of an appliance in accordance with our new design of FIG. 1.

1 Claim, 5 Drawing Sheets



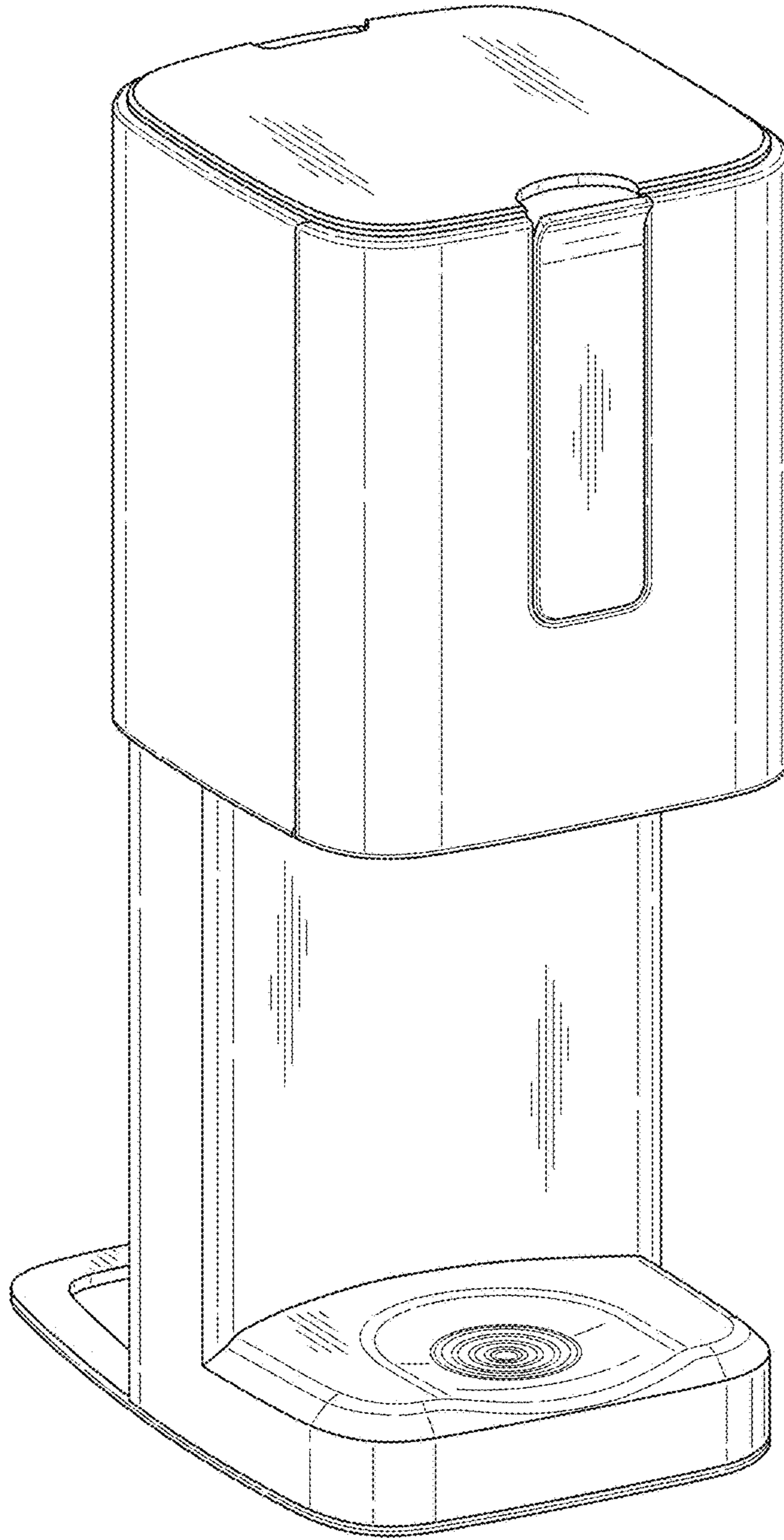


Fig. 1

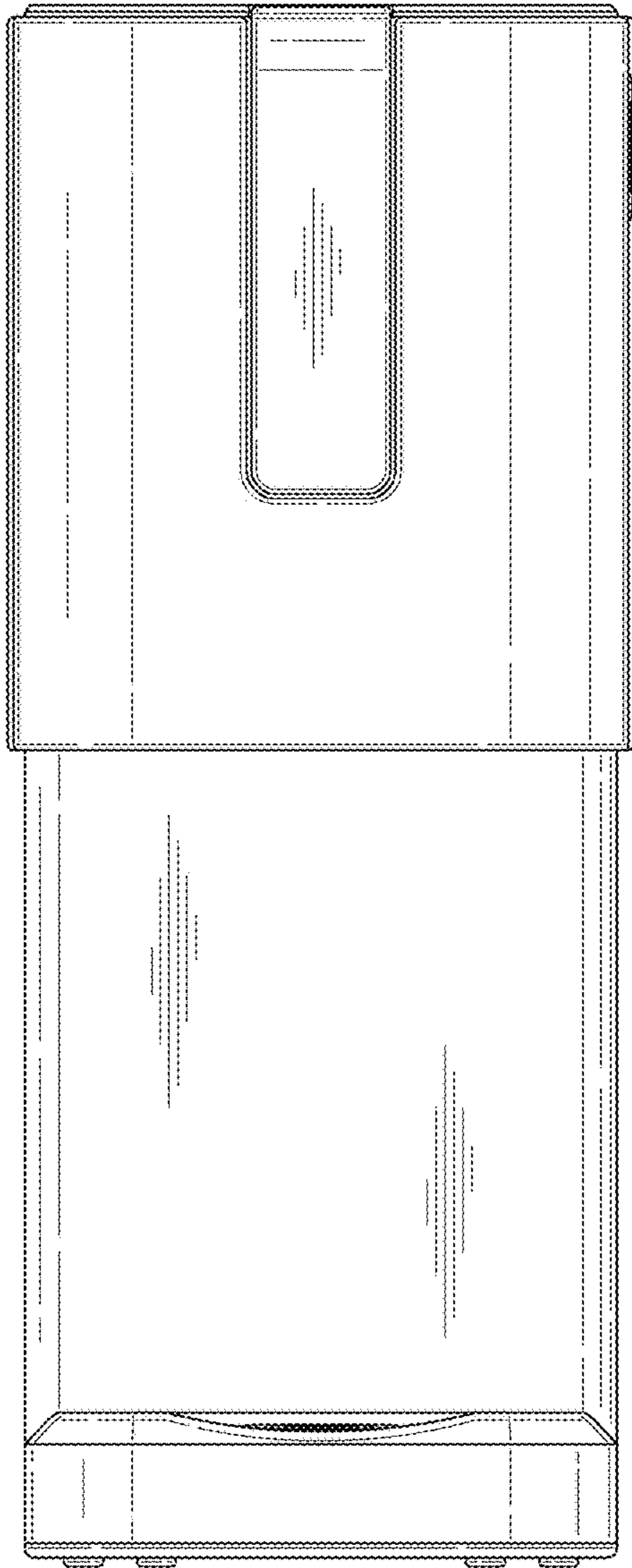


Fig. 2

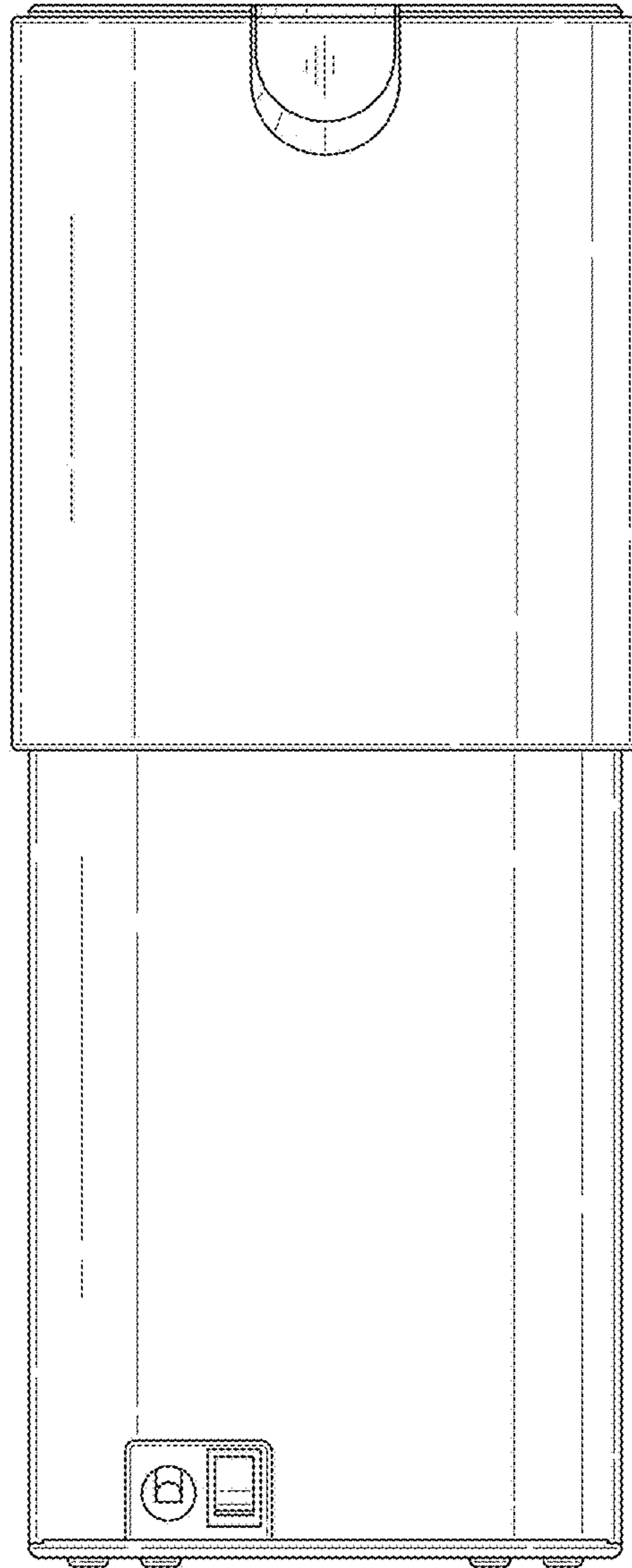


Fig. 3

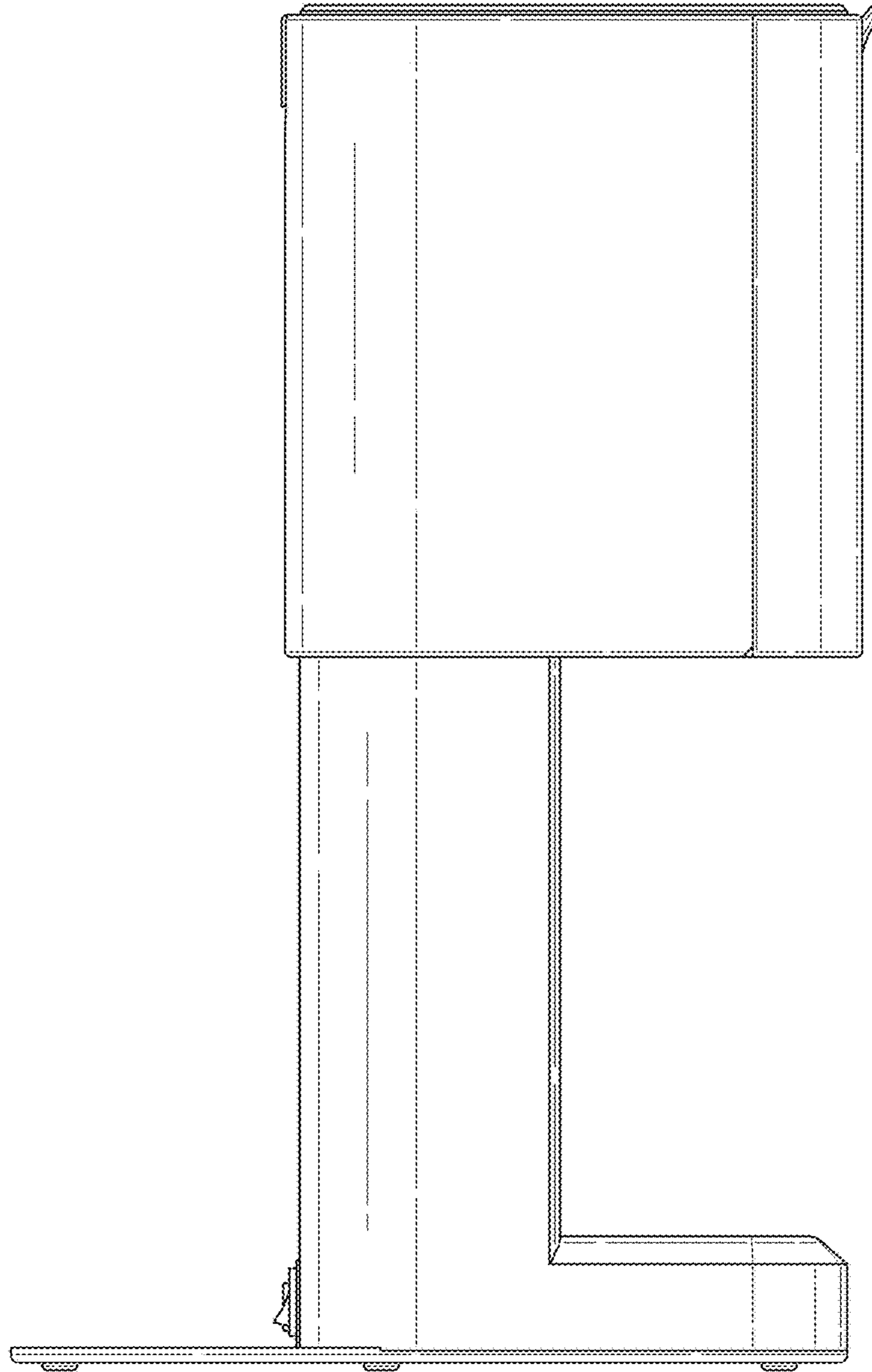


Fig. 4

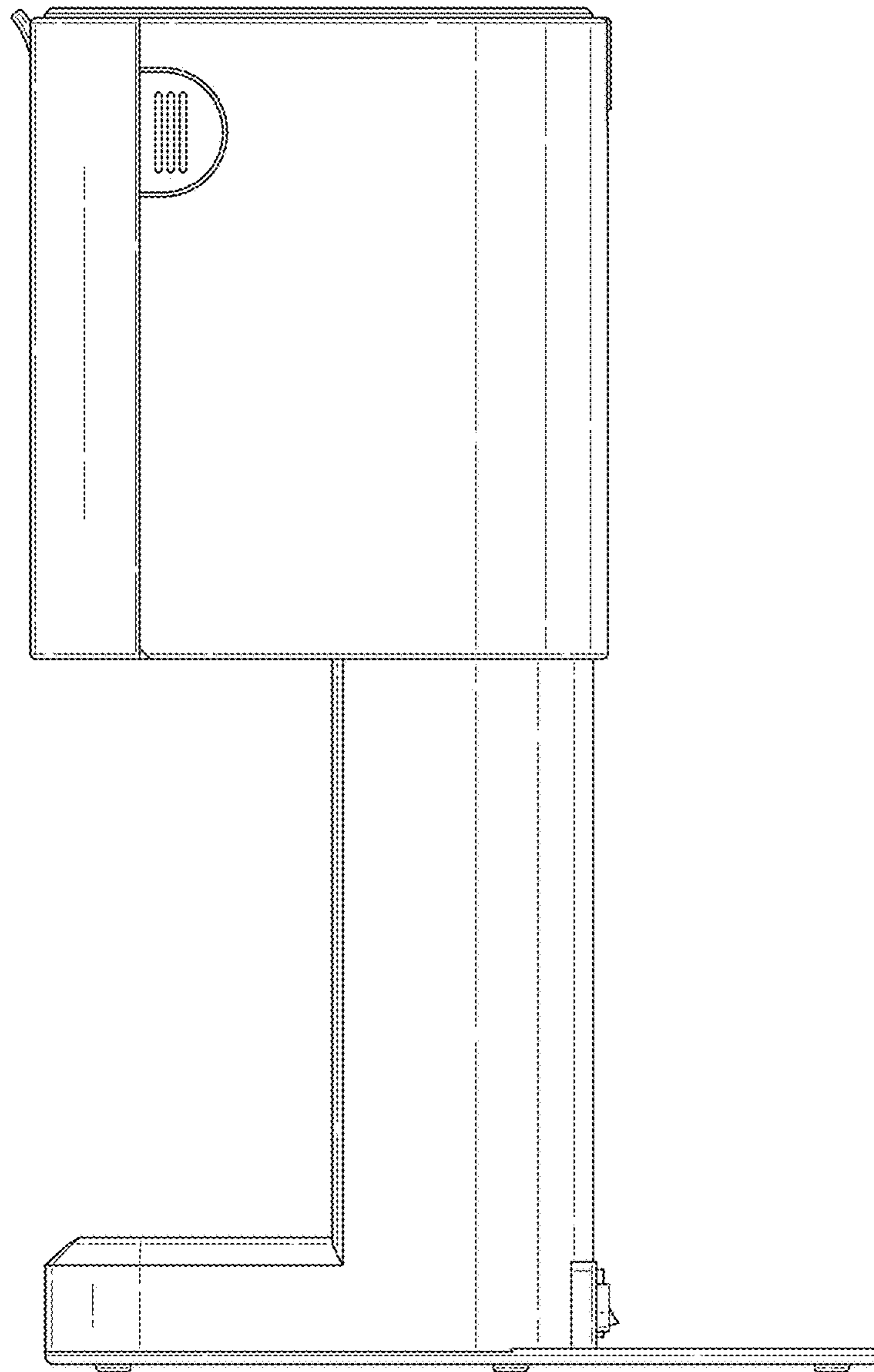


Fig. 5

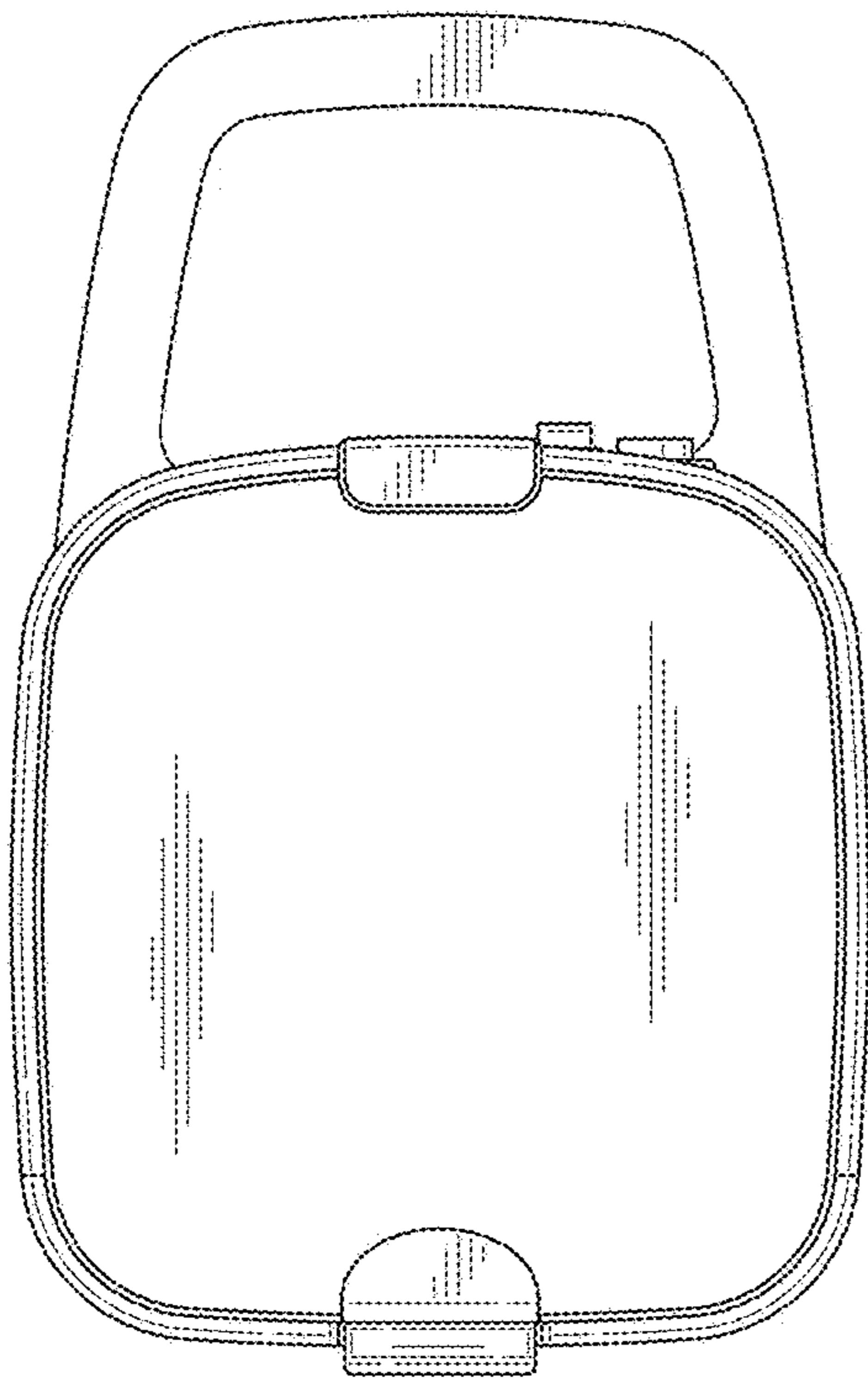


Fig. 6

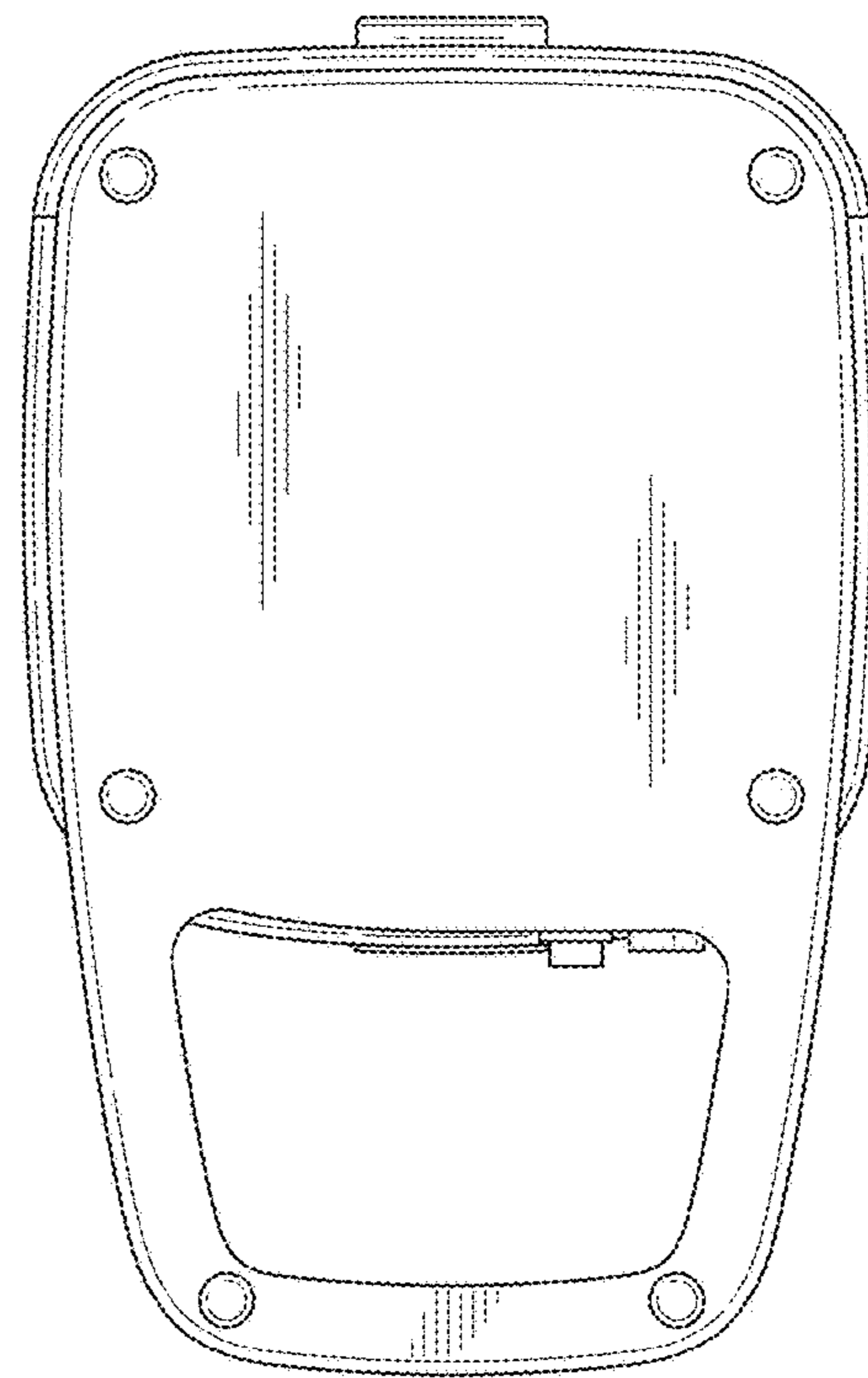


Fig. 7