

US00D862526S

(12) **United States Design Patent**
Blue, Jr.

(10) **Patent No.:** **US D862,526 S**

(45) **Date of Patent:** **** Oct. 8, 2019**

- (54) **PRODUCE HARVESTING TRANSPORTER**
- (71) Applicant: **John Samuel Blue, Jr.**, Carthage, NC
(US)
- (72) Inventor: **John Samuel Blue, Jr.**, Carthage, NC
(US)
- (**) Term: **15 Years**
- (21) Appl. No.: **29/646,933**
- (22) Filed: **May 8, 2018**
- (51) **LOC (12) Cl.** **15-03**
- (52) **U.S. Cl.**
USPC **D15/27**
- (58) **Field of Classification Search**
USPC D15/10, 12, 27, 28; 56/15.8, 15.9;
172/311, 210, 466, 484, 456, 481, 605,
172/626, 776, 507; 280/411.1, 412, 413,
280/415 A, 415 R, 482, 656
CPC A01B 73/065; A01B 73/005; A01B 73/00;
A01B 73/02; A01B 73/04; A01B 73/06;
A01B 49/06; A01B 49/00; A01B 61/044;
A01B 61/048; A01B 5/04; A01B 49/027;
A01B 73/046; A01B 73/048; A01B
63/002; A01B 63/14; A01B 63/32; A01B
63/118; A01C 7/208; A01C 7/18; A01C
7/00; A01C 7/20; A01C 7/06; A01C
5/064; A01C 5/068; A01C 7/203; A01C
7/205; A01C 7/206; Y10S 111/921; Y10S
111/923; Y10S 111/924; Y10S 111/925
See application file for complete search history.

- 3,047,969 A * 8/1962 Purdy A01L 331/00
172/146
- D201,980 S * 8/1965 Kane D15/33
- 3,252,249 A * 5/1966 Propst A01B 41/00
111/120
- D236,526 S * 8/1975 Ulve D15/28
- 3,910,368 A * 10/1975 Weber A01B 75/00
180/213
- D237,528 S * 11/1975 Fisher et al. 172/776
- D237,529 S * 11/1975 Fisher et al. 172/776
- D241,155 S * 8/1976 Walker D15/27
- D252,206 S * 6/1979 Walker D15/27
- D267,320 S * 12/1982 Symonds 171/71
- D281,881 S * 12/1985 Swartzendruber D15/11
- D284,669 S * 7/1986 Clark D15/28
- D284,767 S * 7/1986 Clark D15/28
- D285,081 S * 8/1986 Wood D15/28
- D314,199 S * 1/1991 Dudley D15/27
- 5,048,885 A * 9/1991 Bomar A01D 87/127
296/6
- D337,121 S * 7/1993 Torrey D15/27
- 5,256,024 A * 10/1993 Ross B60P 3/06
280/638

(Continued)

Primary Examiner — Mark A Goodwin
(74) *Attorney, Agent, or Firm* — Dunlap Bennett &
Ludwig PLLC; Brendan E. Squire

(57) **CLAIM**

The ornamental design for a produce harvesting transporter, as shown and described.

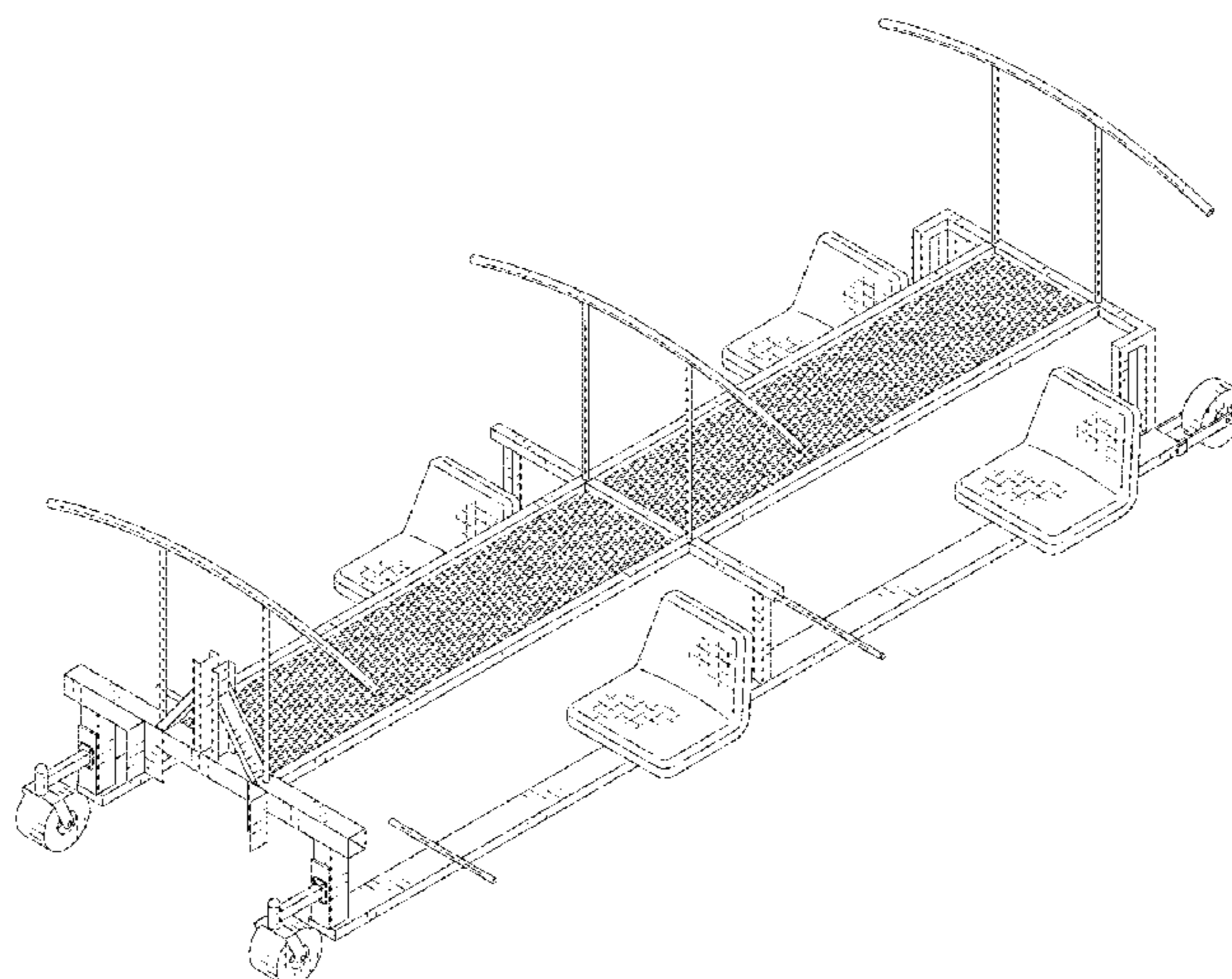
DESCRIPTION

FIG. 1 is a top front perspective view of a produce harvest-
ing transporter showing my new design;
FIG. 2 is a front elevation view thereof;
FIG. 3 is a rear elevation view thereof;
FIG. 4 is a right elevation view thereof, with the left
elevation view being a mirror image thereof;
FIG. 5 is a top plan view thereof; and,
FIG. 6 is a bottom plan view thereof.

1 Claim, 4 Drawing Sheets

(56) **References Cited**
U.S. PATENT DOCUMENTS

- D140,591 S * 3/1945 Hollmann et al. 37/97
- 2,433,126 A * 12/1947 Kersey A01D 34/42
56/249



(56)

References Cited

U.S. PATENT DOCUMENTS

5,257,885 A * 11/1993 Reil A01D 87/127
 280/490.1
 D365,350 S * 12/1995 Willis D15/27
 5,511,921 A * 4/1996 Meijer A01D 85/005
 414/24.5
 5,562,166 A * 10/1996 Griffin A01B 33/02
 172/103
 5,579,847 A * 12/1996 Postema A01B 45/02
 172/21
 D417,676 S * 12/1999 Havener D15/17
 6,062,582 A * 5/2000 Martin B62D 51/02
 280/32.7
 D466,135 S * 11/2002 Spomer D15/33
 D476,999 S * 7/2003 Truan D15/28
 D557,712 S * 12/2007 Ewringmann D15/28
 D588,614 S * 3/2009 Peterson D15/27
 D591,776 S * 5/2009 Rasset D15/28
 D601,593 S * 10/2009 Martin D15/33
 D623,669 S * 9/2010 Kromminga D15/27
 D628,215 S * 11/2010 Wootan D15/27
 D628,600 S * 12/2010 Hicks D15/27
 RE42,028 E * 1/2011 Ewringmann D15/28
 D646,699 S * 10/2011 Knobloch D15/27
 D786,943 S * 5/2017 Gardner D15/27
 D787,564 S * 5/2017 Kinzenbaw D15/27
 D794,083 S * 8/2017 Cochran, Sr. D15/11
 D823,348 S * 7/2018 Sudbrink D15/27

* cited by examiner

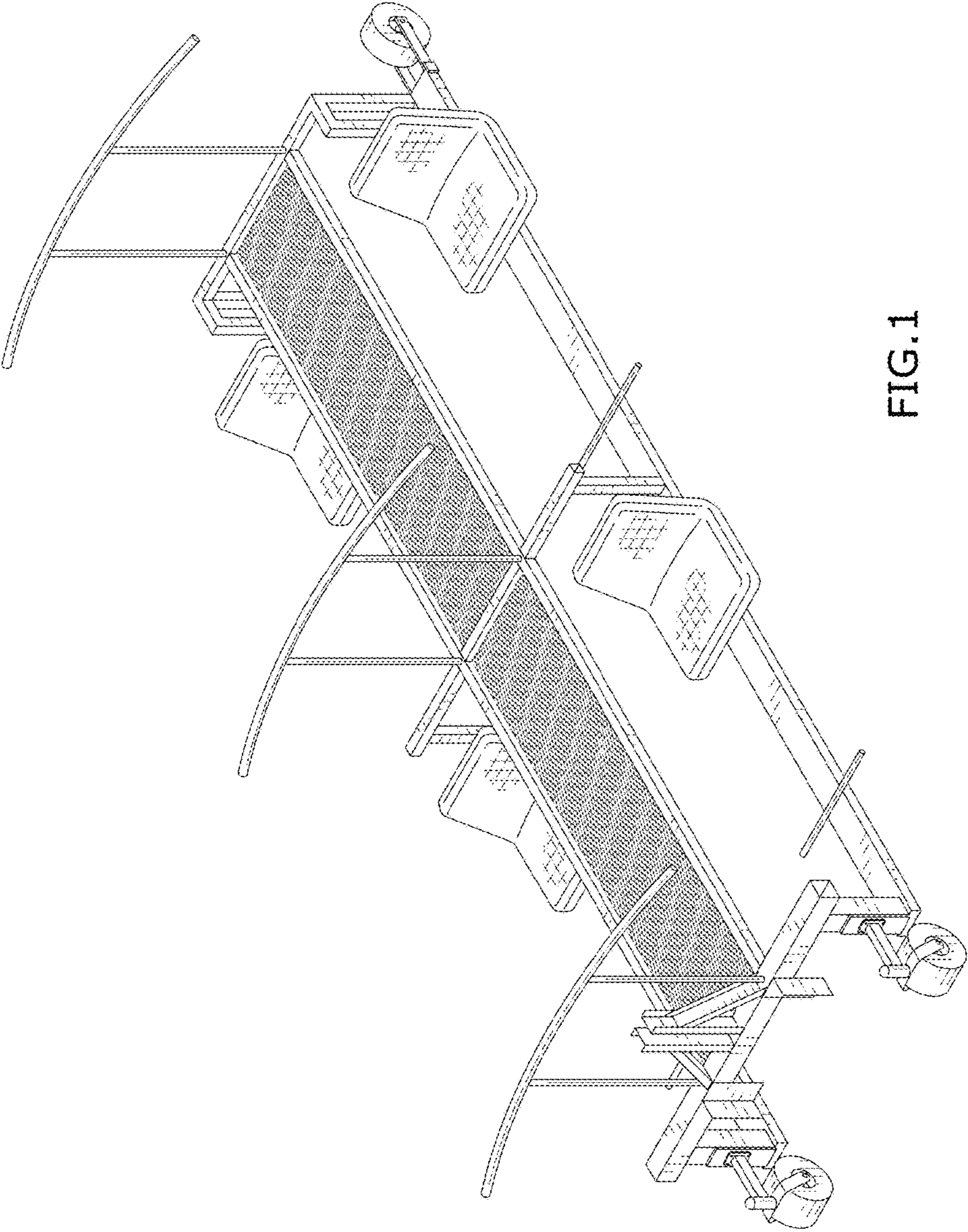


FIG.1

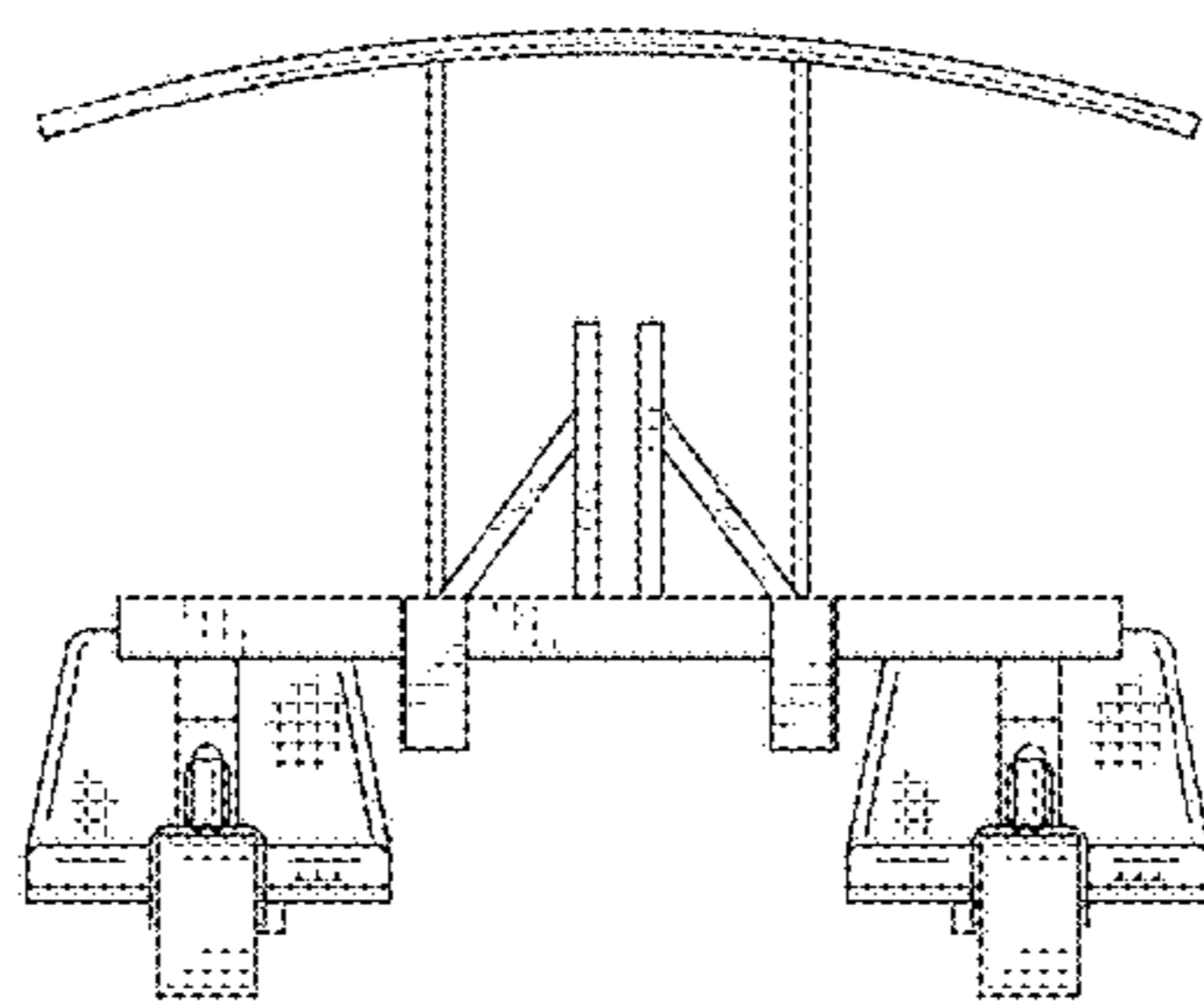


FIG. 2

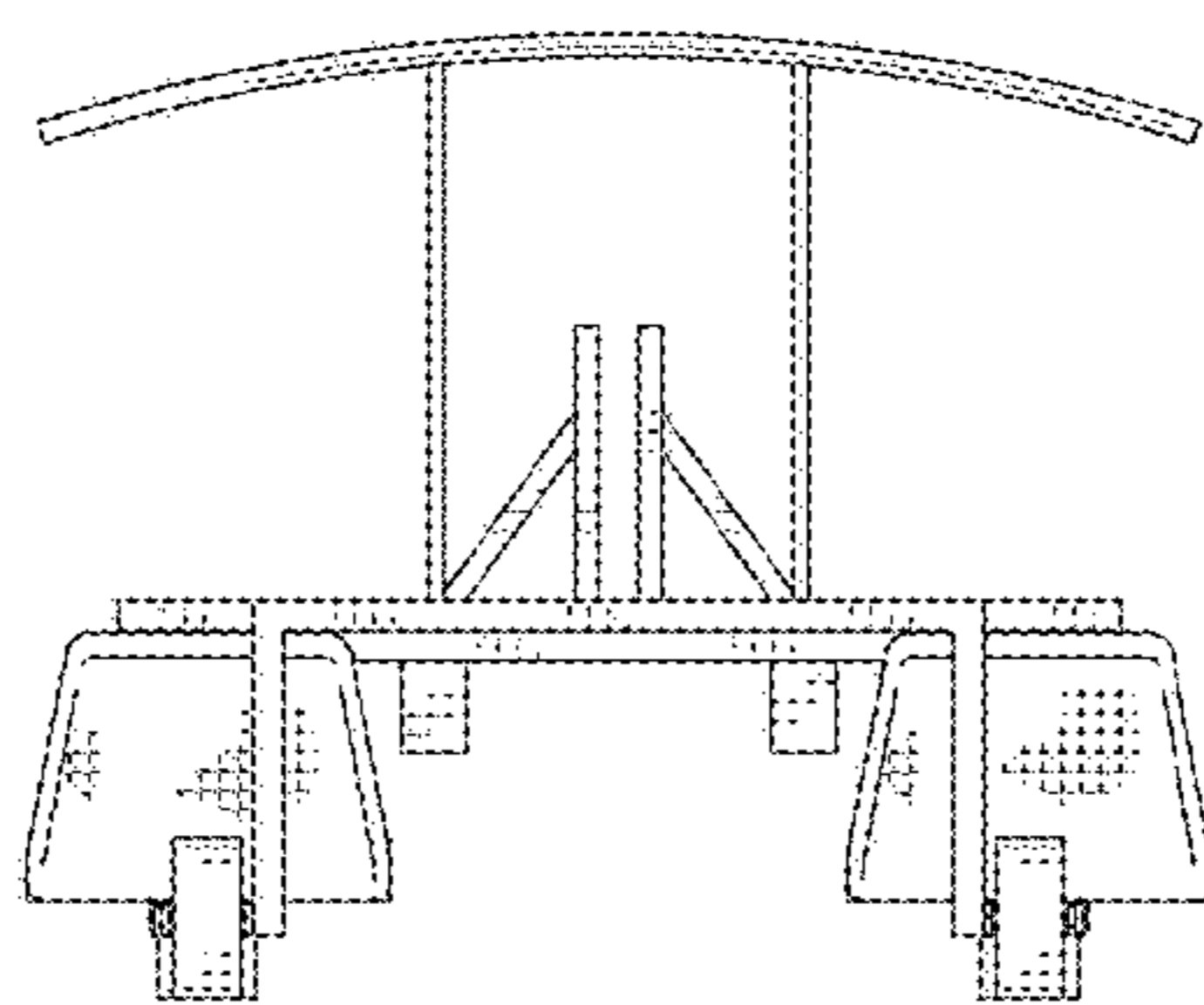


FIG. 3

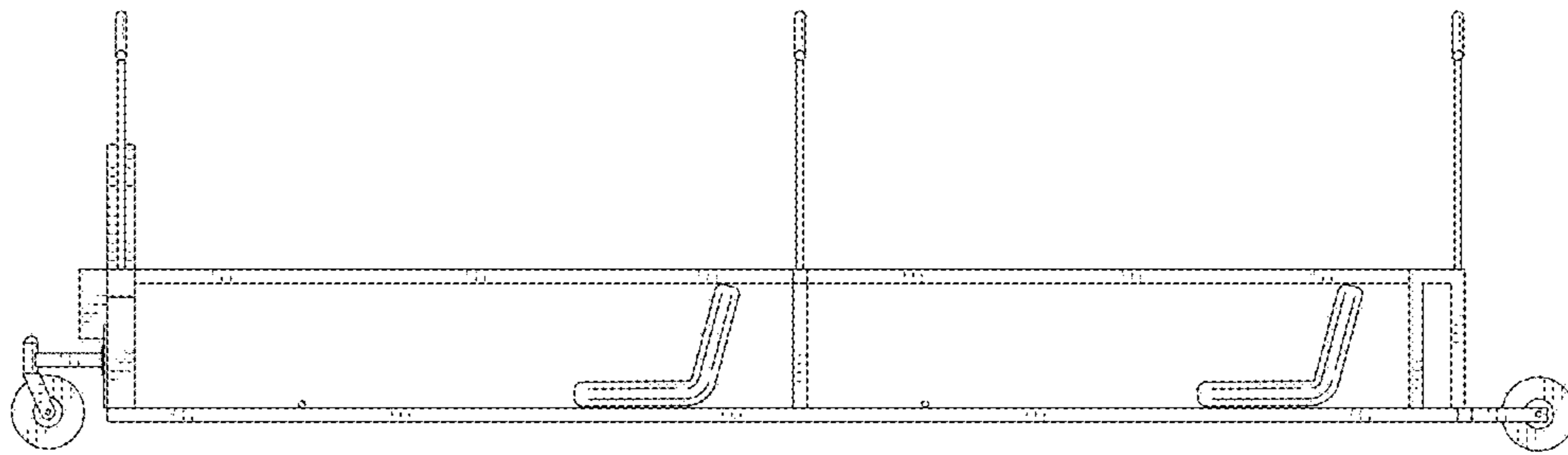


FIG.4

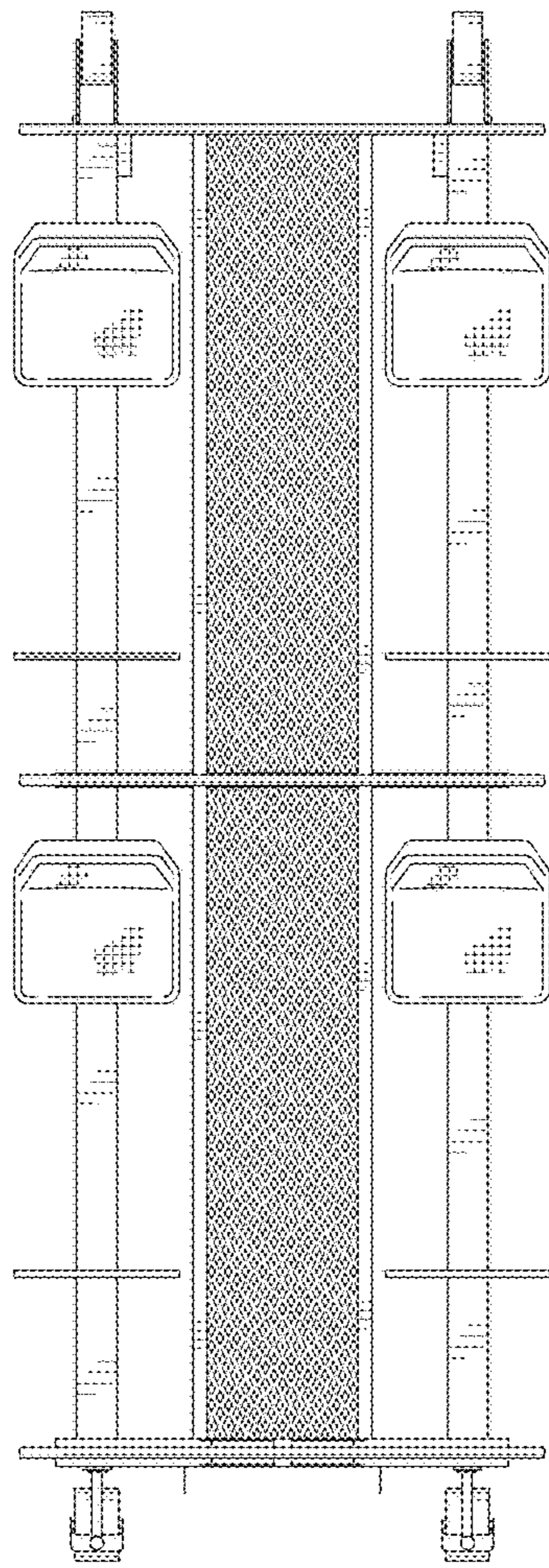


FIG. 5

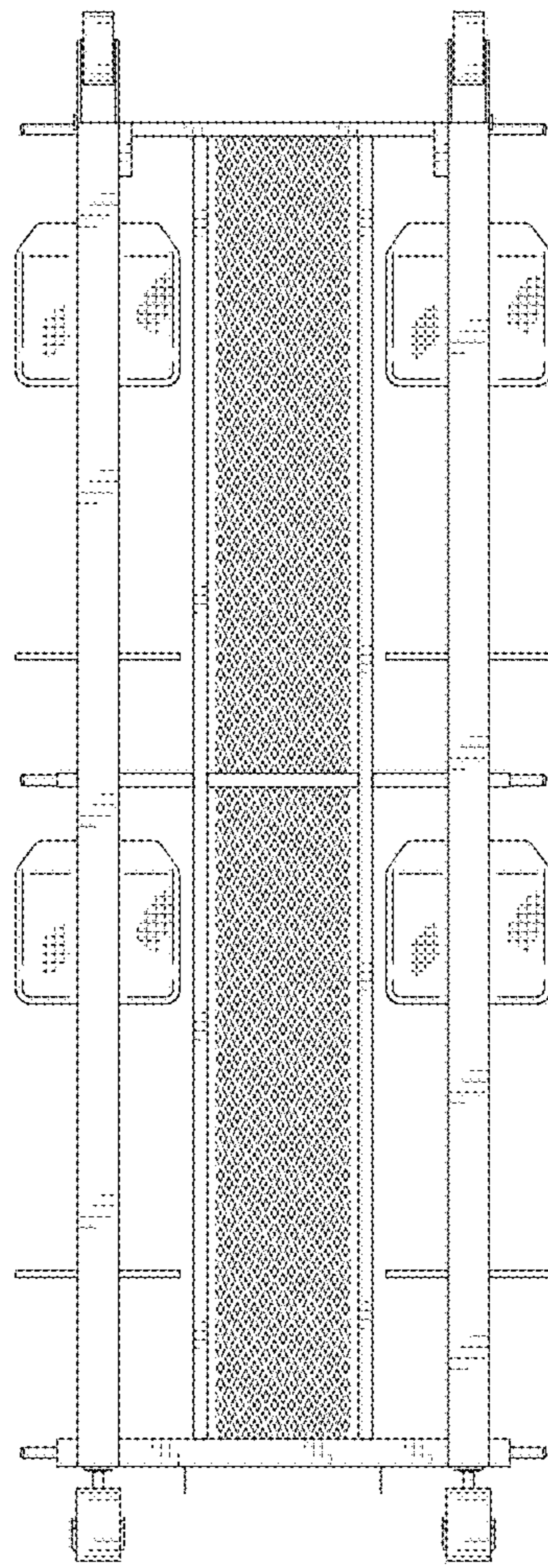


FIG. 6