



US00D862524S

(12) **United States Design Patent** (10) **Patent No.:** **US D862,524 S**
Onorato (45) **Date of Patent:** **** Oct. 8, 2019**

(54) **HEAD FOR OUTRIGGER MOUNT**
(71) Applicant: **GEM Products, Inc.**, Orange Park, FL (US)

(72) Inventor: **Matthew Stewart Onorato**, Jacksonville, FL (US)

(73) Assignee: **GEM Products, Inc.**, Jacksonville, FL (US)

(**) Term: **15 Years**

(21) Appl. No.: **29/604,570**

(22) Filed: **May 18, 2017**

(51) **LOC (12) Cl.** **15-01**

(52) **U.S. Cl.**
USPC **D15/4**

(58) **Field of Classification Search**
USPC D12/317, 400, 223; D15/4
CPC B63B 17/00; A01K 97/08; A01K 97/10
See application file for complete search history.

(56) **References Cited**

U.S. PATENT DOCUMENTS

7,669,361	B2 *	3/2010	Baez	A01K 91/08 114/255
8,186,095	B2 *	5/2012	Wilcox	A01K 91/08 114/255
9,625,087	B2 *	4/2017	Sarnowski	B63B 17/00
D817,742	S *	5/2018	Sarnowski	D8/349
2004/0206288	A1 *	10/2004	Wilcox	B63B 17/02 114/255

2007/0220800	A1 *	9/2007	Baez	A01K 91/08 43/27.4
2008/0105814	A1 *	5/2008	Slatter	A01K 91/08 248/521
2011/0083355	A1 *	4/2011	Wilcox	A01K 91/08 43/27.4

* cited by examiner

Primary Examiner — Cynthia M. Chin

(74) *Attorney, Agent, or Firm* — Seyfarth Shaw LLP

(57) **CLAIM**

The ornamental design for a head for outrigger mount, as shown and described.

DESCRIPTION

FIG. 1 is a first perspective view of a head of an outrigger mount;
FIG. 2 is a second perspective view of the head of the outrigger mount;
FIG. 3 is a third perspective view of the head of the outrigger mount;
FIG. 4 is a fourth perspective view of the head of the outrigger mount;
FIG. 5 is a rear view of the head of the outrigger mount;
FIG. 6 is a front view of the head of the outrigger mount;
FIG. 7 is first side view of the head of the outrigger mount;
FIG. 8 is a second side view of the head of the outrigger mount;
FIG. 9 is a top view of the head of the outrigger mount; and,
FIG. 10 is a bottom view of the head of the outrigger mount.
The broken lines shown are included for the purpose of illustrating portions of the article which form no part of the claimed design.

1 Claim, 10 Drawing Sheets

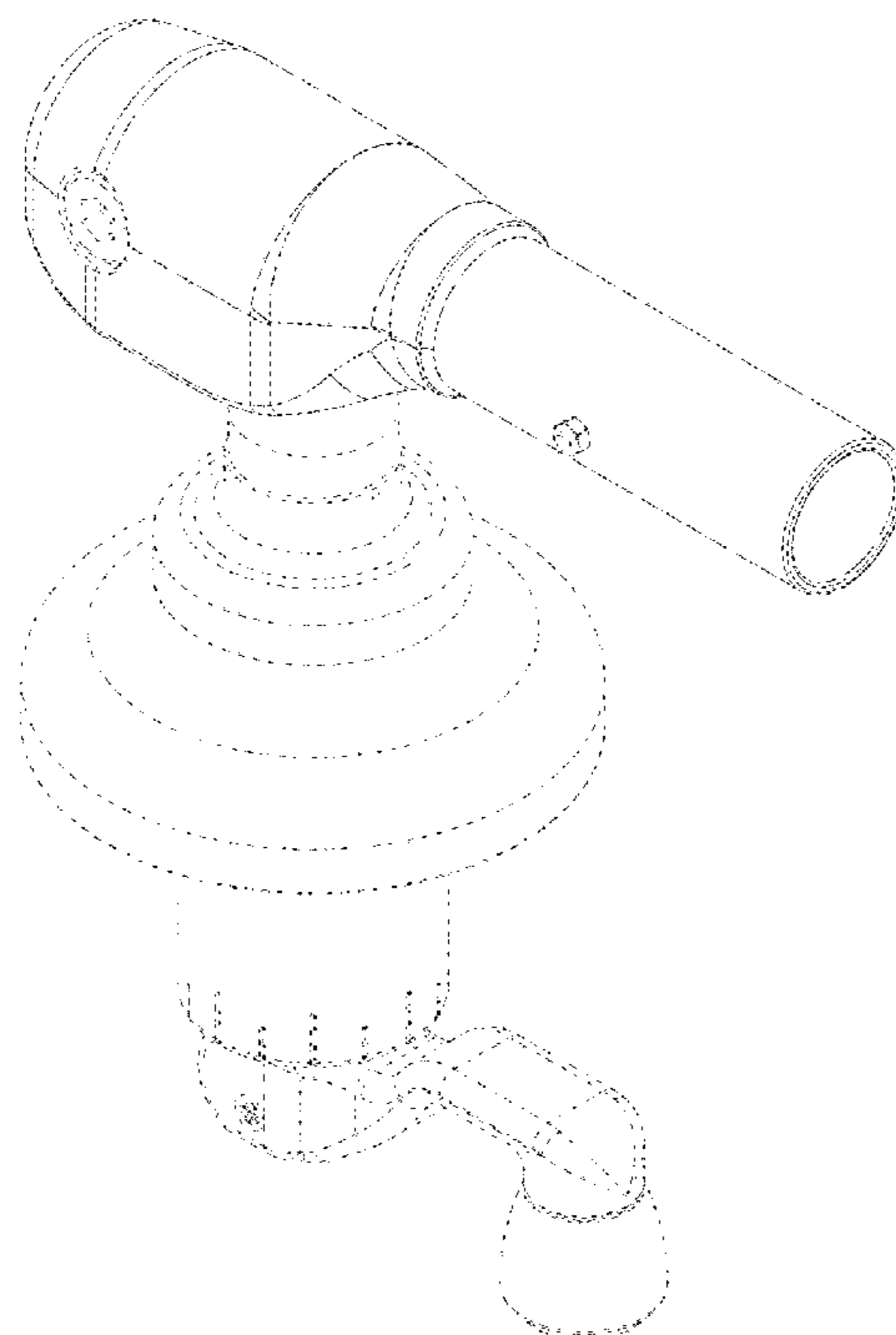


FIG. 1

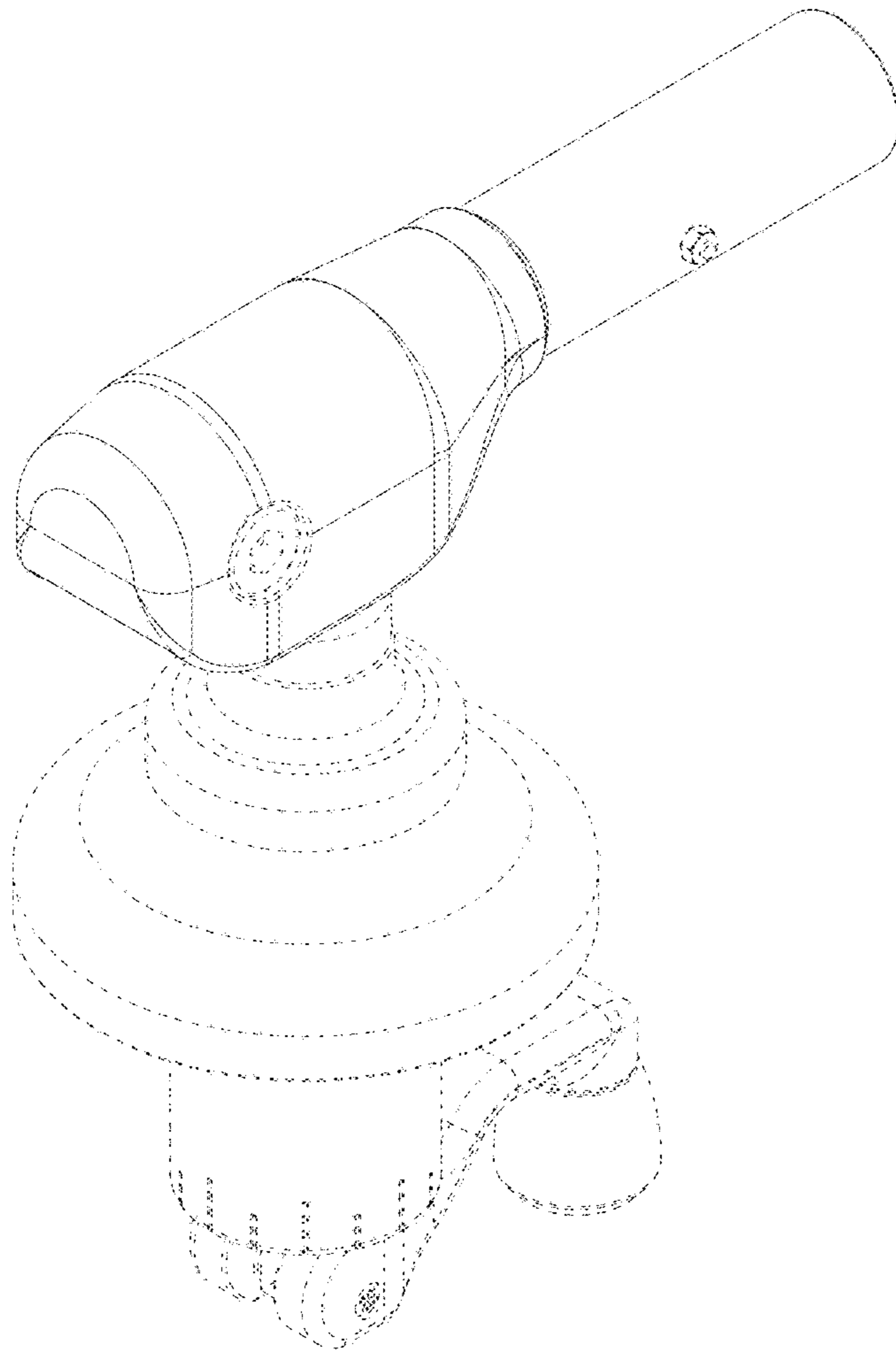


FIG. 2

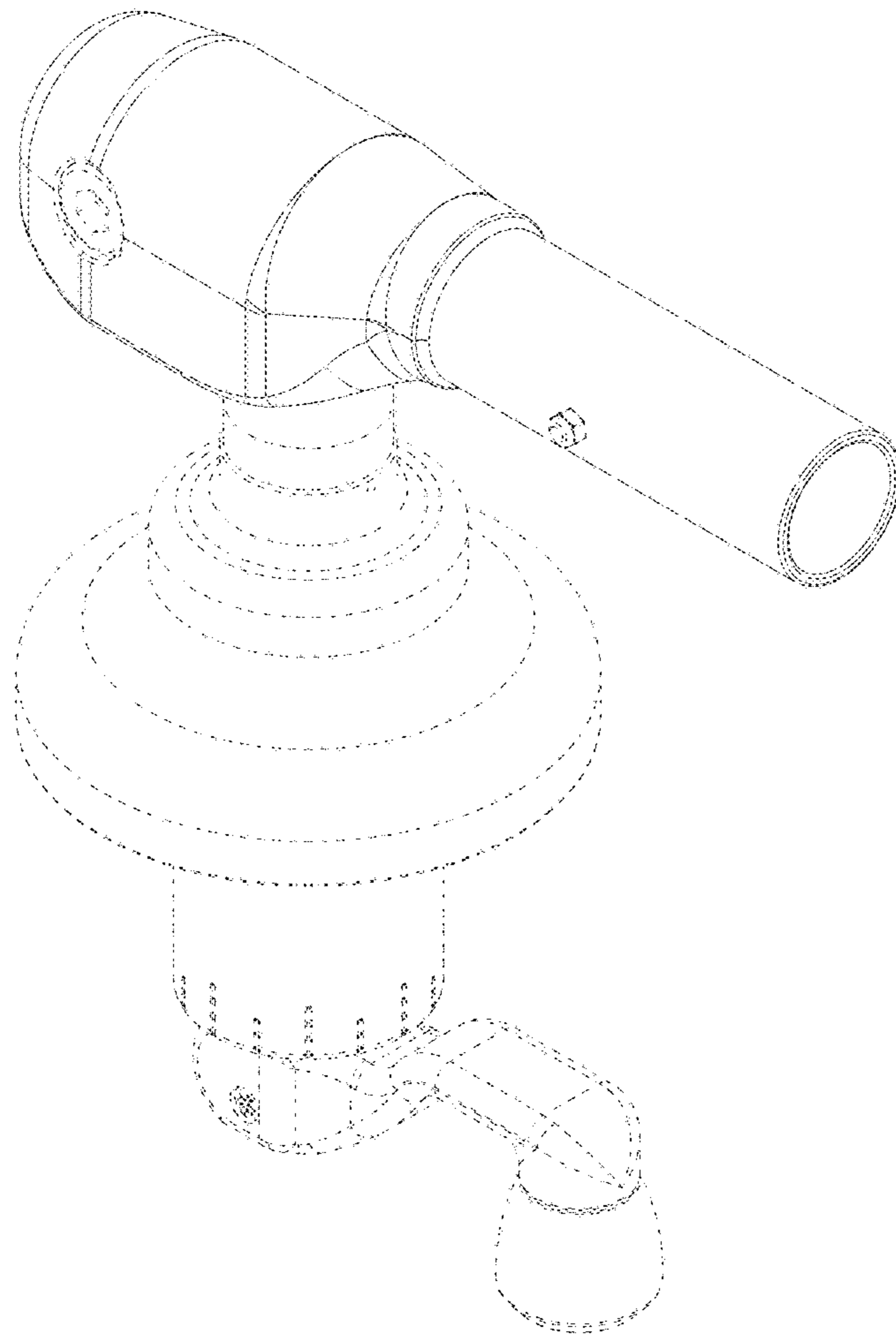


FIG. 3

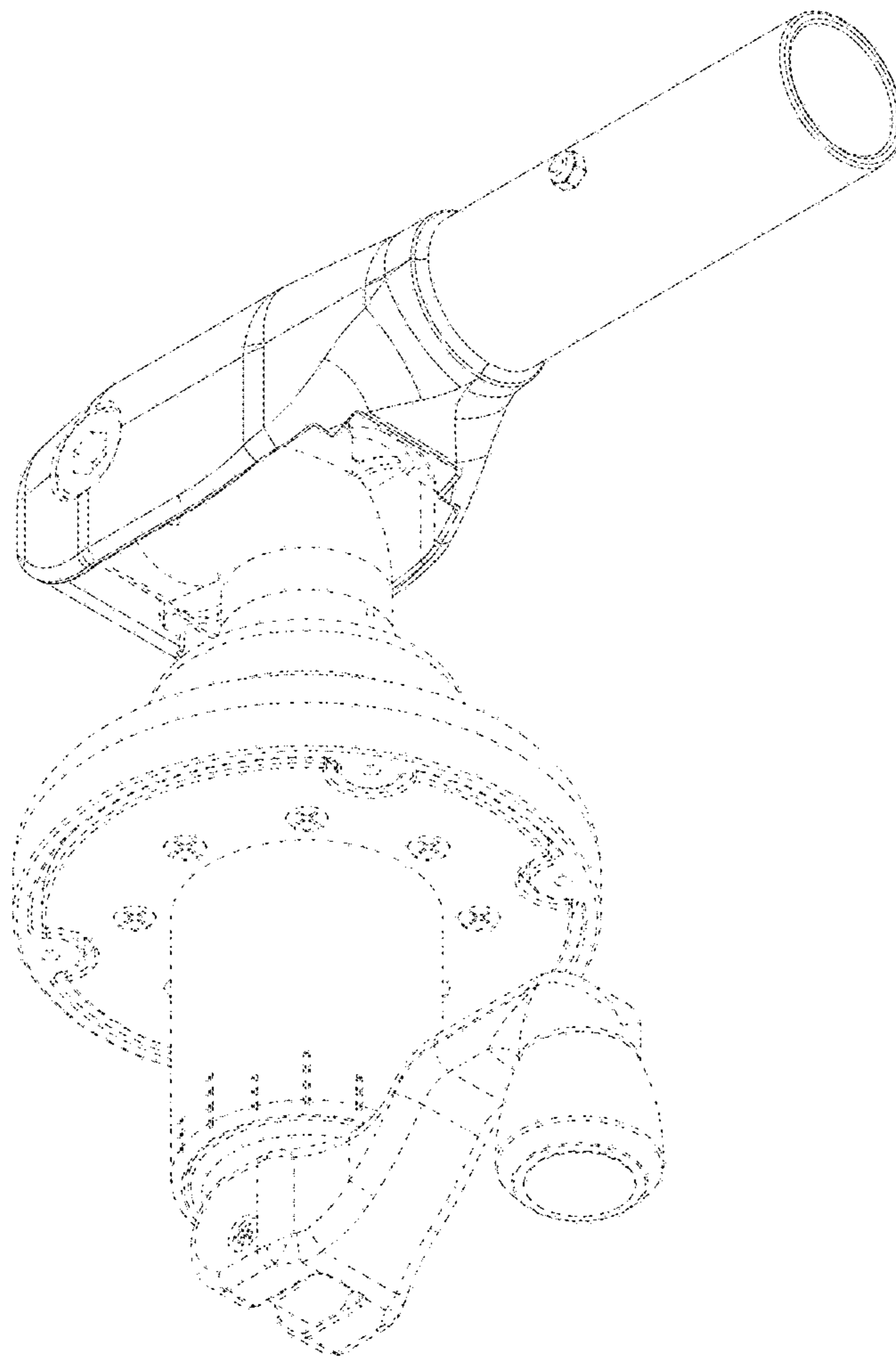


FIG. 4

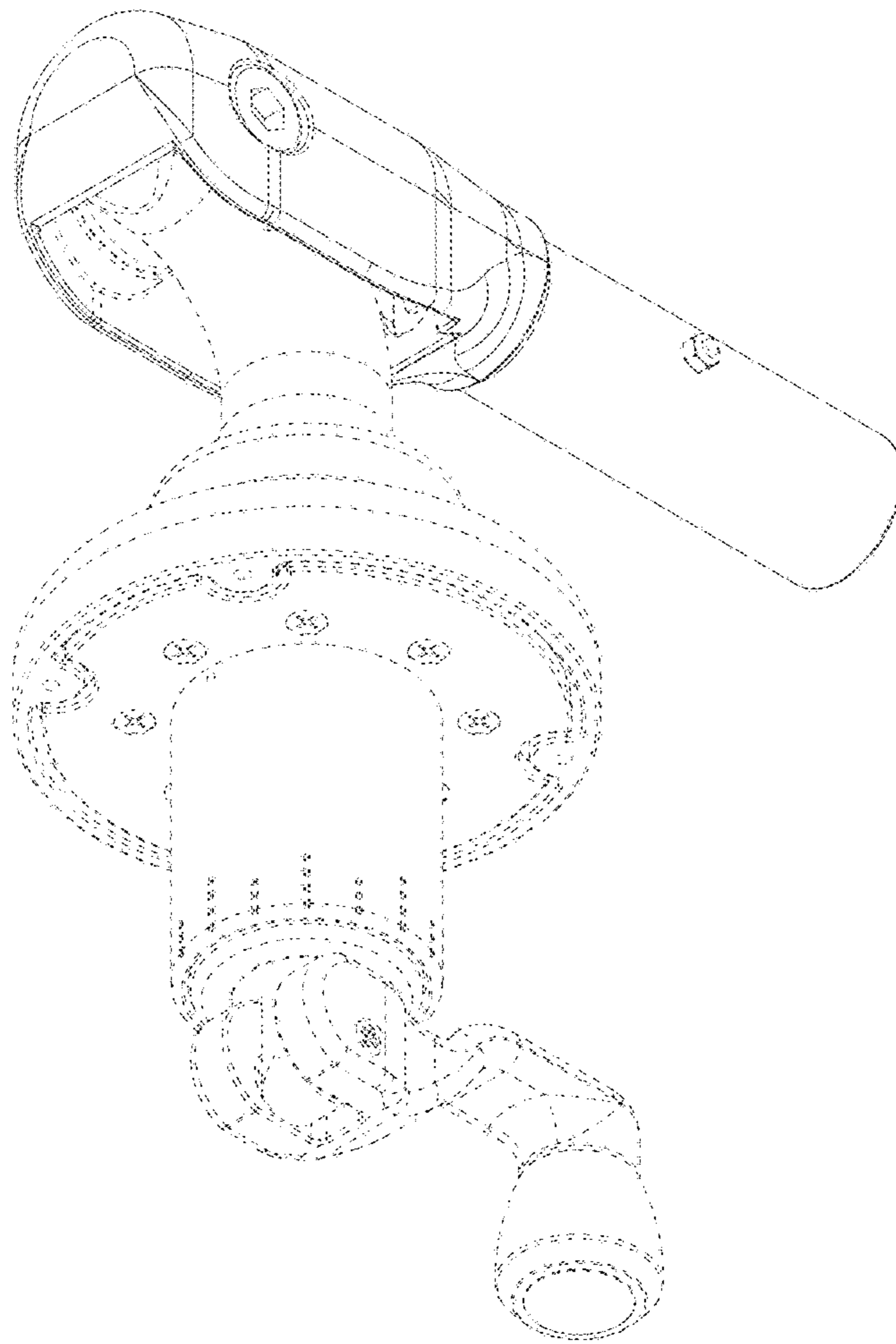


FIG. 5

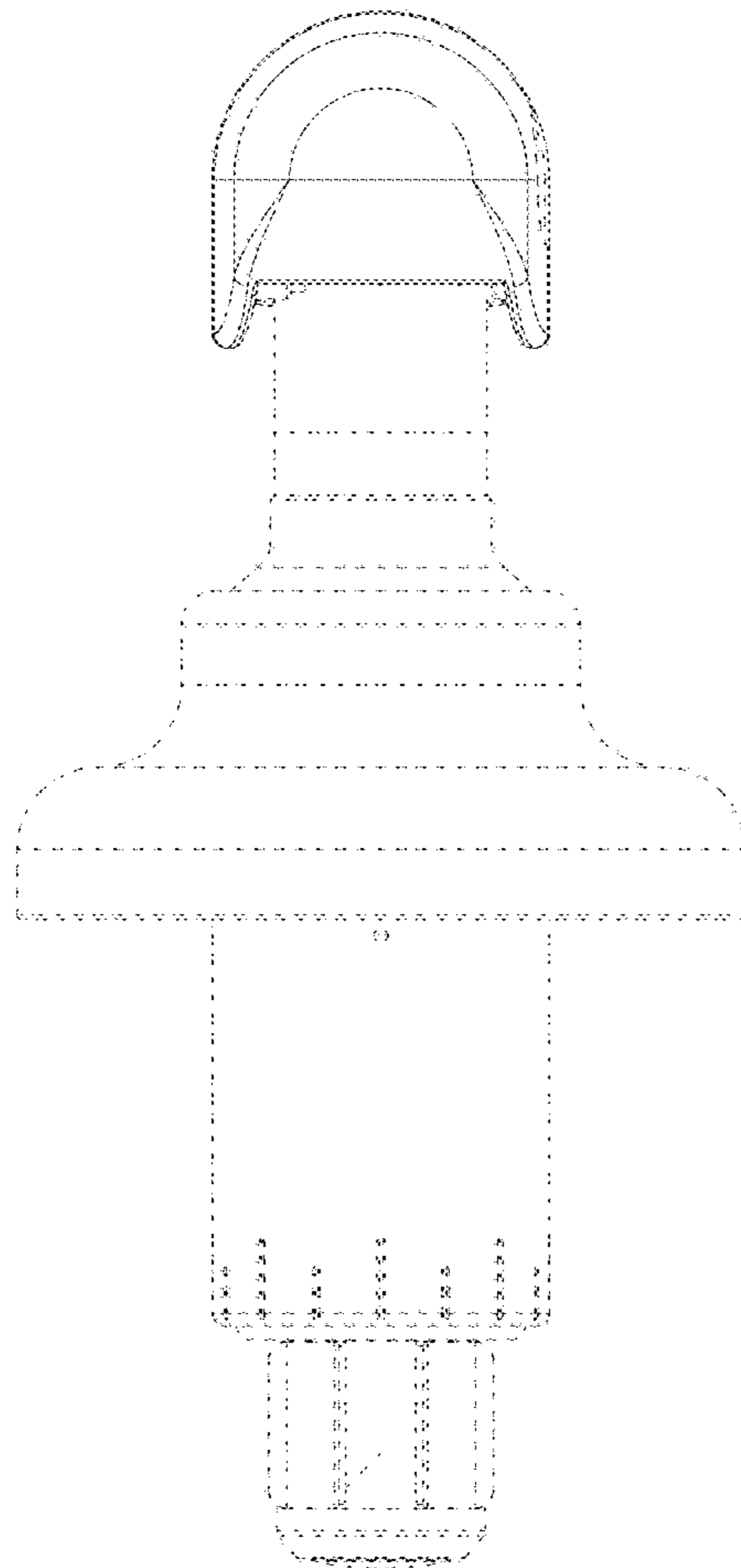


FIG. 6

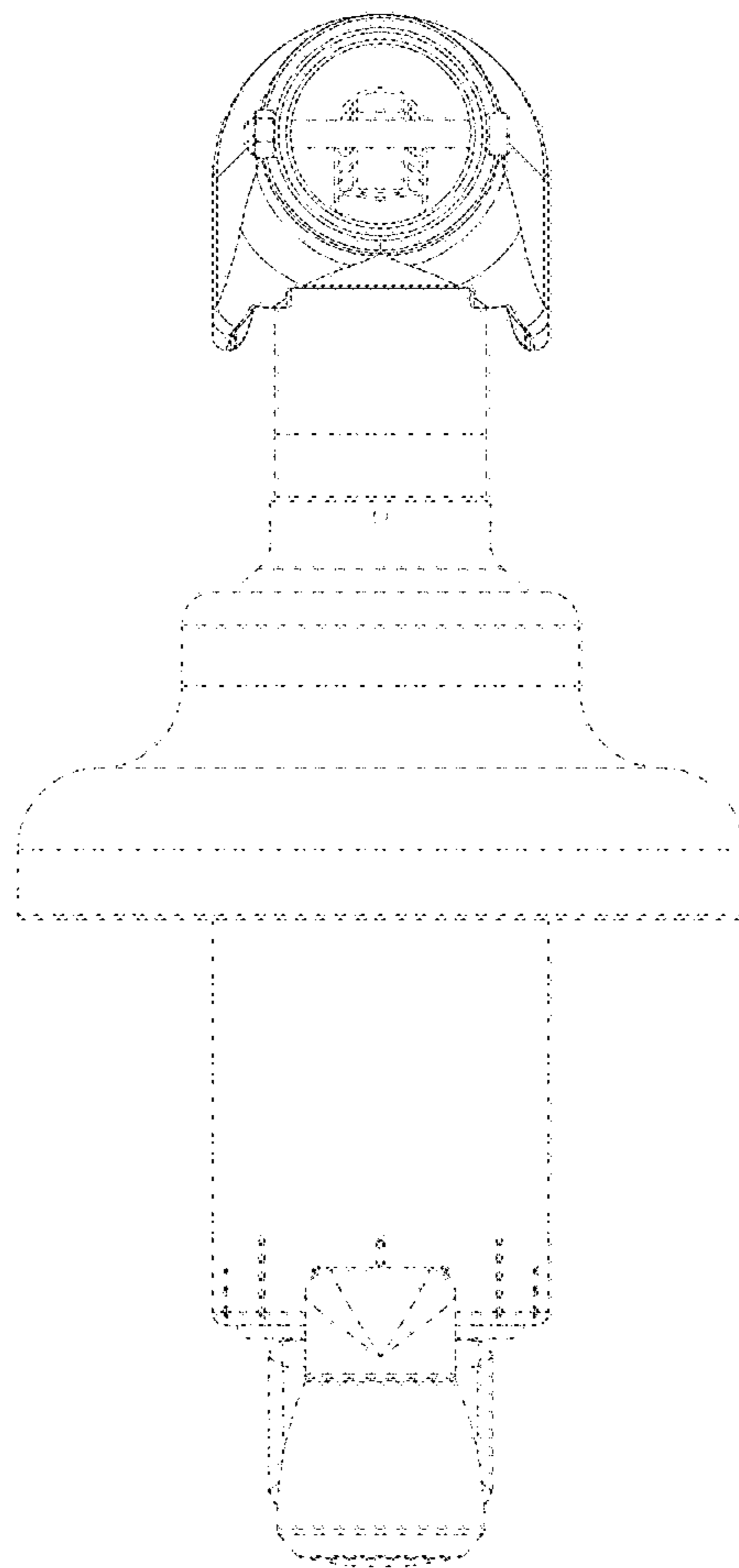


FIG. 7

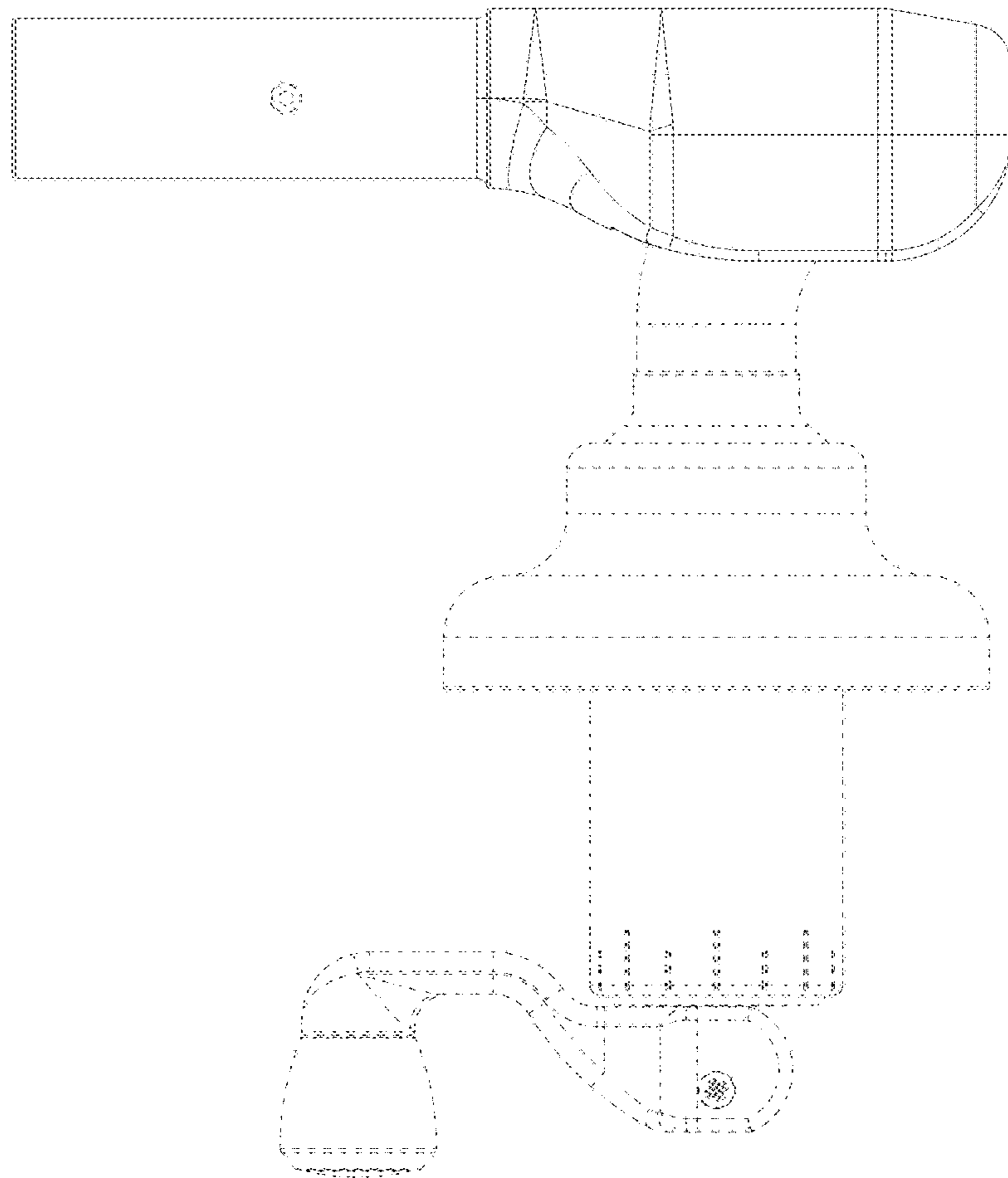


FIG. 8

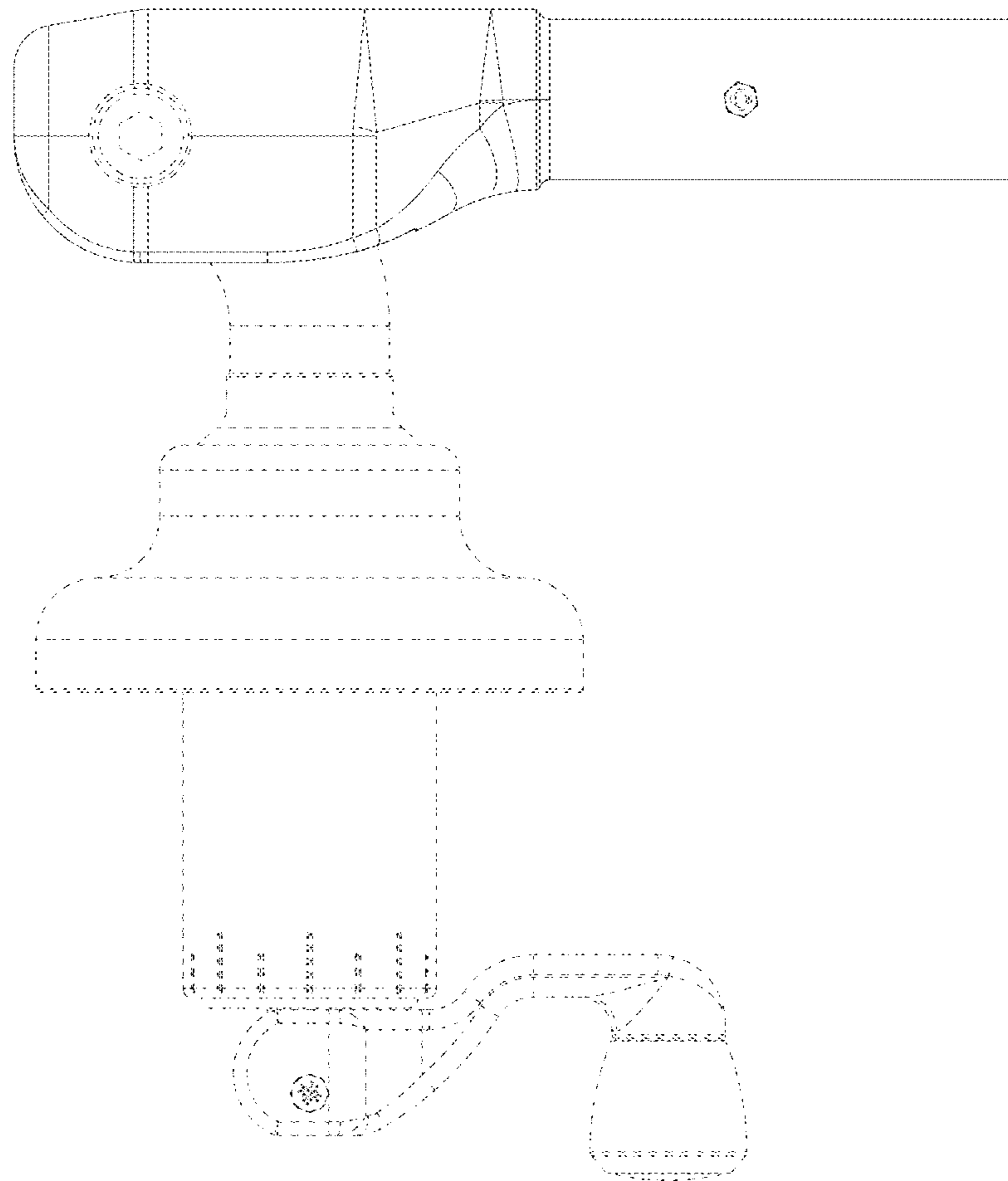


FIG. 9

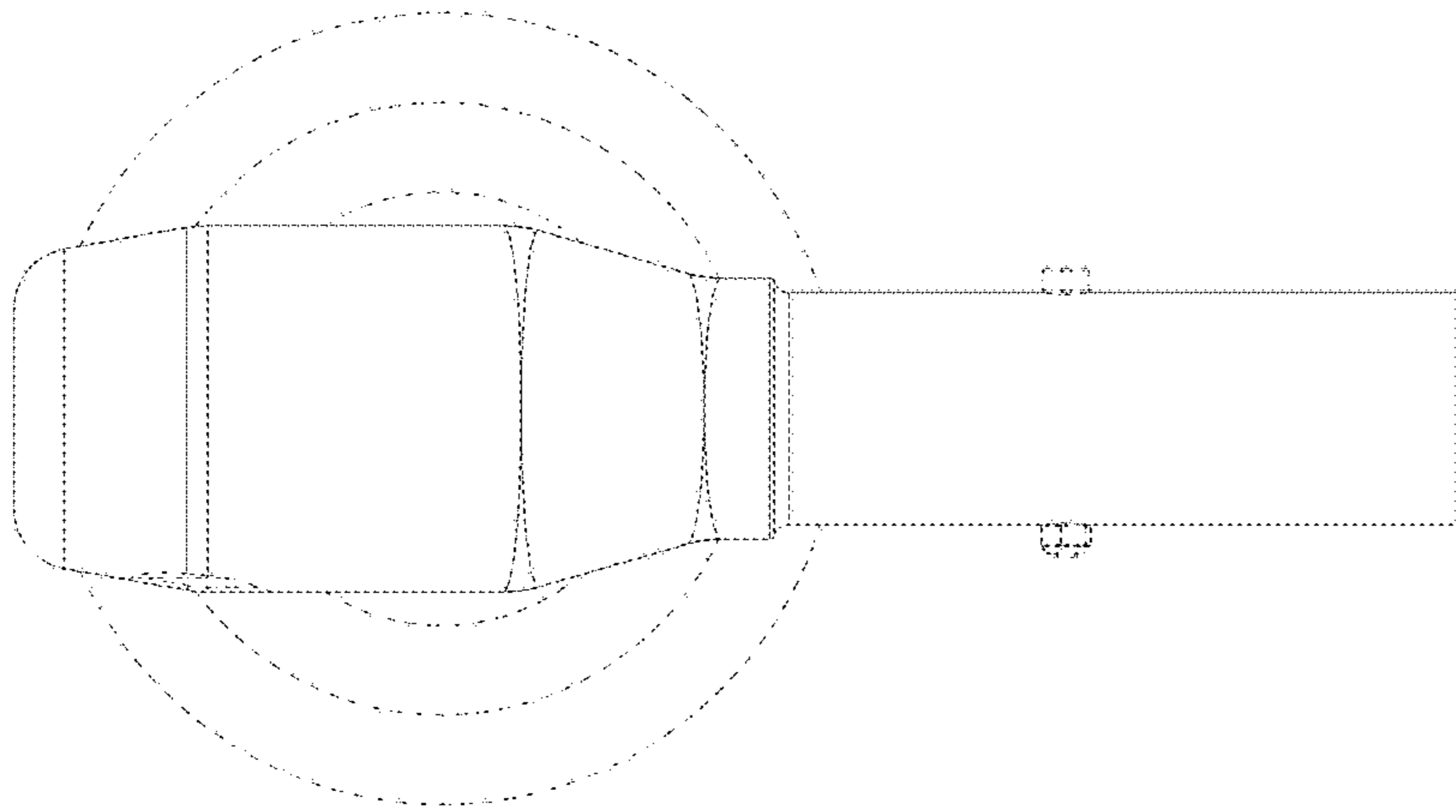


FIG. 10

