



US00D862523S

(12) **United States Design Patent** (10) **Patent No.:** **US D862,523 S**  
**Chong et al.** (45) **Date of Patent:** **\*\* Oct. 8, 2019**

(54) **HI-FI ENTERTAINMENT SYSTEM**

(56) **References Cited**

(71) Applicant: **LG ELECTRONICS INC.**, Seoul (KR)

U.S. PATENT DOCUMENTS

(72) Inventors: **Yuonui Chong**, Seoul (KR); **Junki Kim**, Seoul (KR); **Sungyong Park**, Seoul (KR); **Sooyoung Park**, Seoul (KR)

D245,038 S *	7/1977	Ebata .....	D14/163
D253,590 S *	12/1979	Klucznik .....	D14/163
D269,177 S *	5/1983	Iijima .....	D14/163
D277,751 S *	2/1985	Ohno .....	D14/163
D283,613 S *	4/1986	Nakamura .....	D14/163
D512,409 S *	12/2005	Ishizaki .....	D14/168
D542,777 S *	5/2007	Sato .....	D14/172
D628,553 S *	12/2010	Cho .....	D14/168
D678,240 S *	3/2013	Park .....	D14/172
D754,097 S *	4/2016	Pineau .....	D14/204
D789,324 S *	6/2017	Kwon .....	D14/188

(73) Assignee: **LG ELECTRONICS INC.**, Seoul (KR)

(\*\*) Term: **15 Years**

\* cited by examiner

(21) Appl. No.: **35/505,361**

Primary Examiner — Robert M. Spear

(22) Filed: **Jan. 26, 2018**

(74) Attorney, Agent, or Firm — Birch, Stewart, Kolasch & Birch, LLP

(80) **Hague Agreement Data**

Int. Filing Date: **Jan. 26, 2018**  
Int. Reg. No.: **DM/101322**  
Int. Reg. Date: **Jan. 26, 2018**  
Int. Reg. Pub. Date: **Jul. 27, 2018**

(57) **CLAIM**

The ornamental design for a Hi-Fi entertainment system, as shown and described.

(30) **Foreign Application Priority Data**

Jul. 28, 2017 (KR) ..... 30-2017-0035198

**DESCRIPTION**

(51) **LOC (12) Cl.** ..... **14-03**

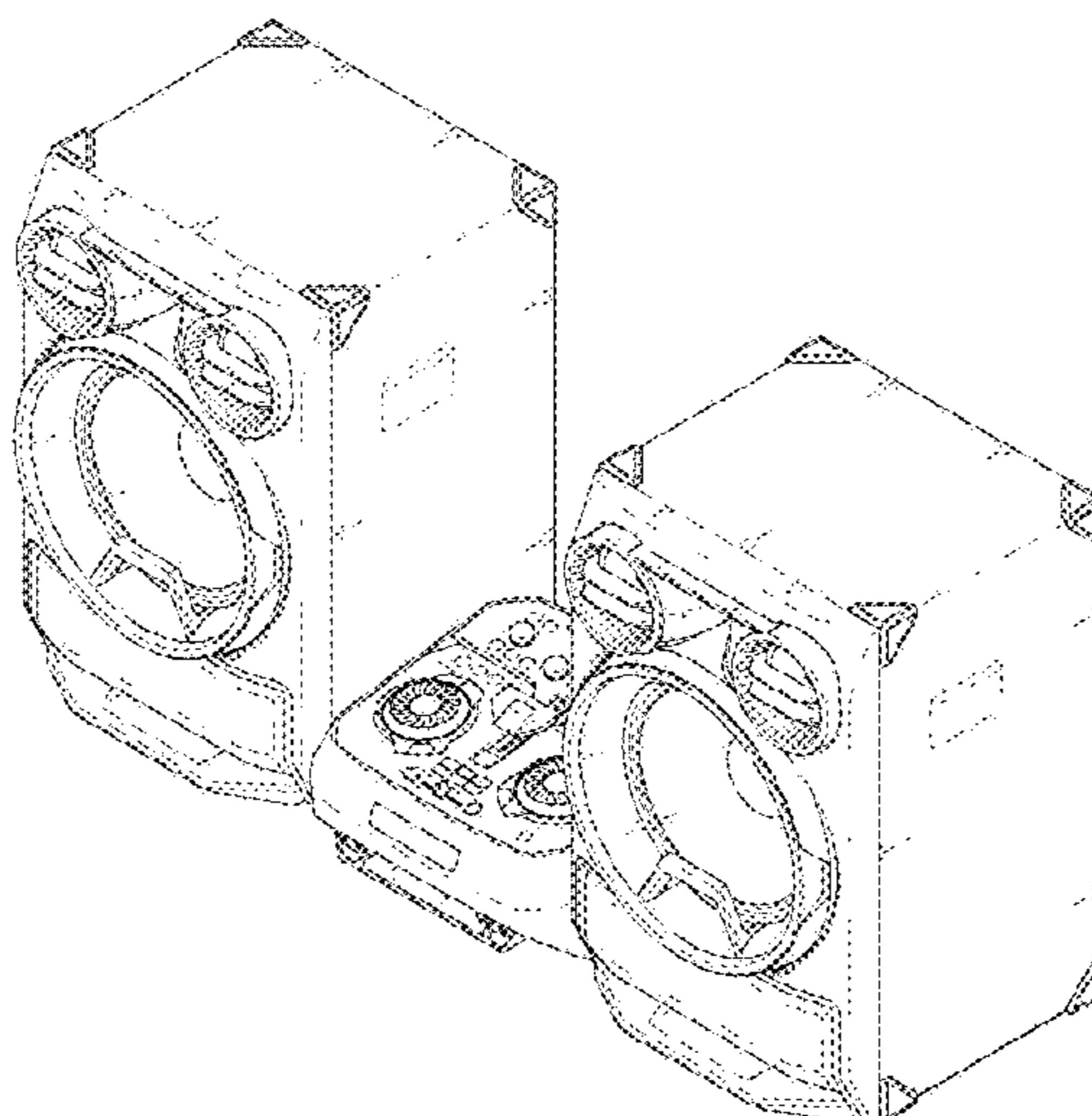
(52) **U.S. Cl.**  
USPC ..... **D14/500**

(58) **Field of Classification Search**  
USPC ..... D14/163, 168, 171, 172, 188, 194, 204, D14/209.1, 215, 500  
CPC ..... H04W 88/00; H04W 88/04; H04B 1/38; G10H 1/361; H04R 5/00; H04R 1/02; H04R 1/04; H04R 1/08; H04R 9/06  
See application file for complete search history.

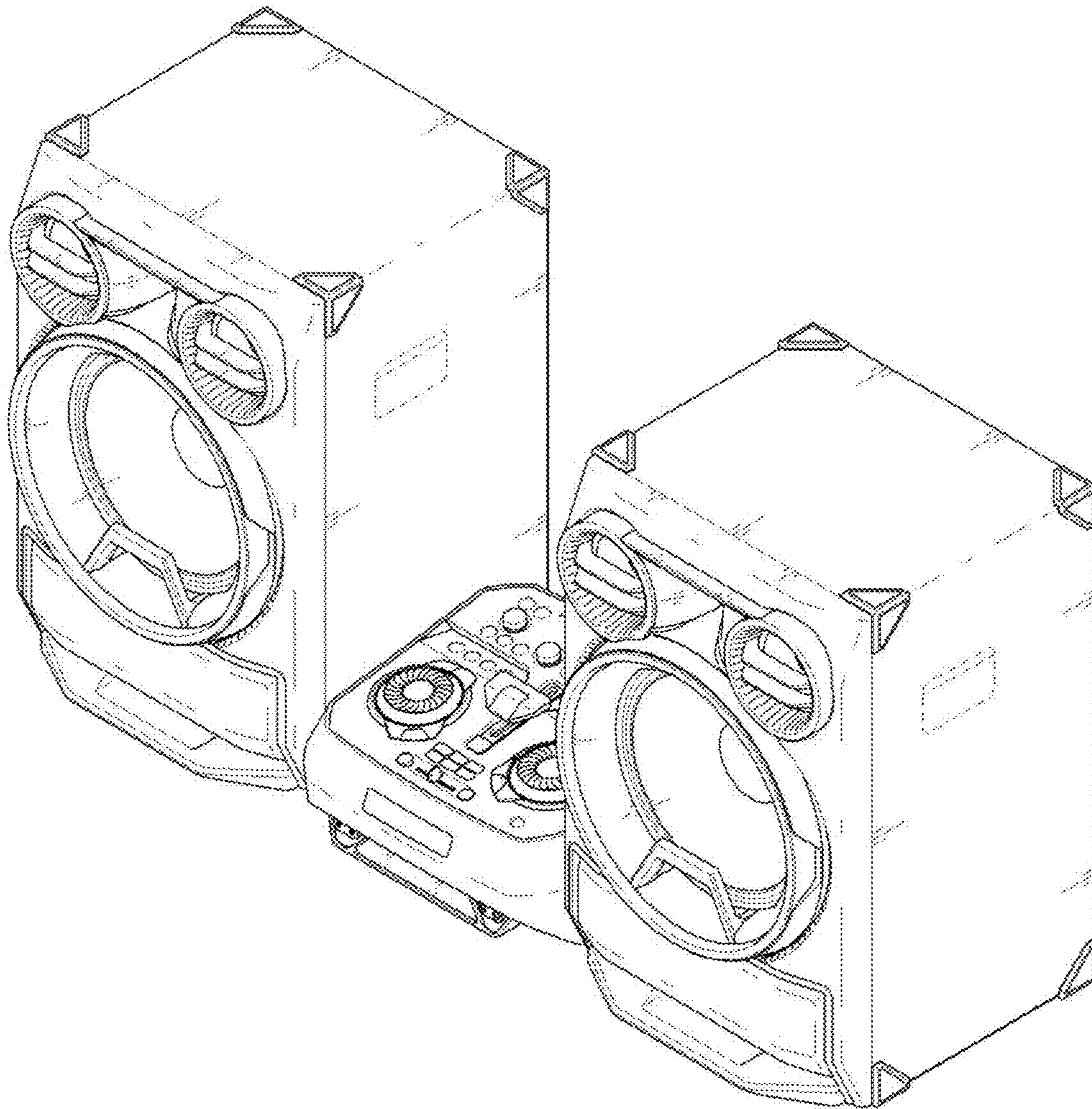
- 1. Hi-Fi entertainment system
- 1.1 : Perspective
- 1.2 : Front
- 1.3 : Back
- 1.4 : Left
- 1.5 : Top
- 1.6 : Bottom
- 1.7 : Perspective view 2

The broken lines depict portions of the Hi-Fi entertainment system that form no part of the claimed design; reproduction 1.1 is a front perspective view of the audio appliance; reproduction 1.2 is a front view thereof; reproduction 1.3 is a back view thereof; reproduction 1.4 is a left view thereof where the right view is a mirror image; reproduction 1.5 is a top view thereof; reproduction 1.6 is a bottom view thereof; reproduction 1.7 is a back perspective view thereof.

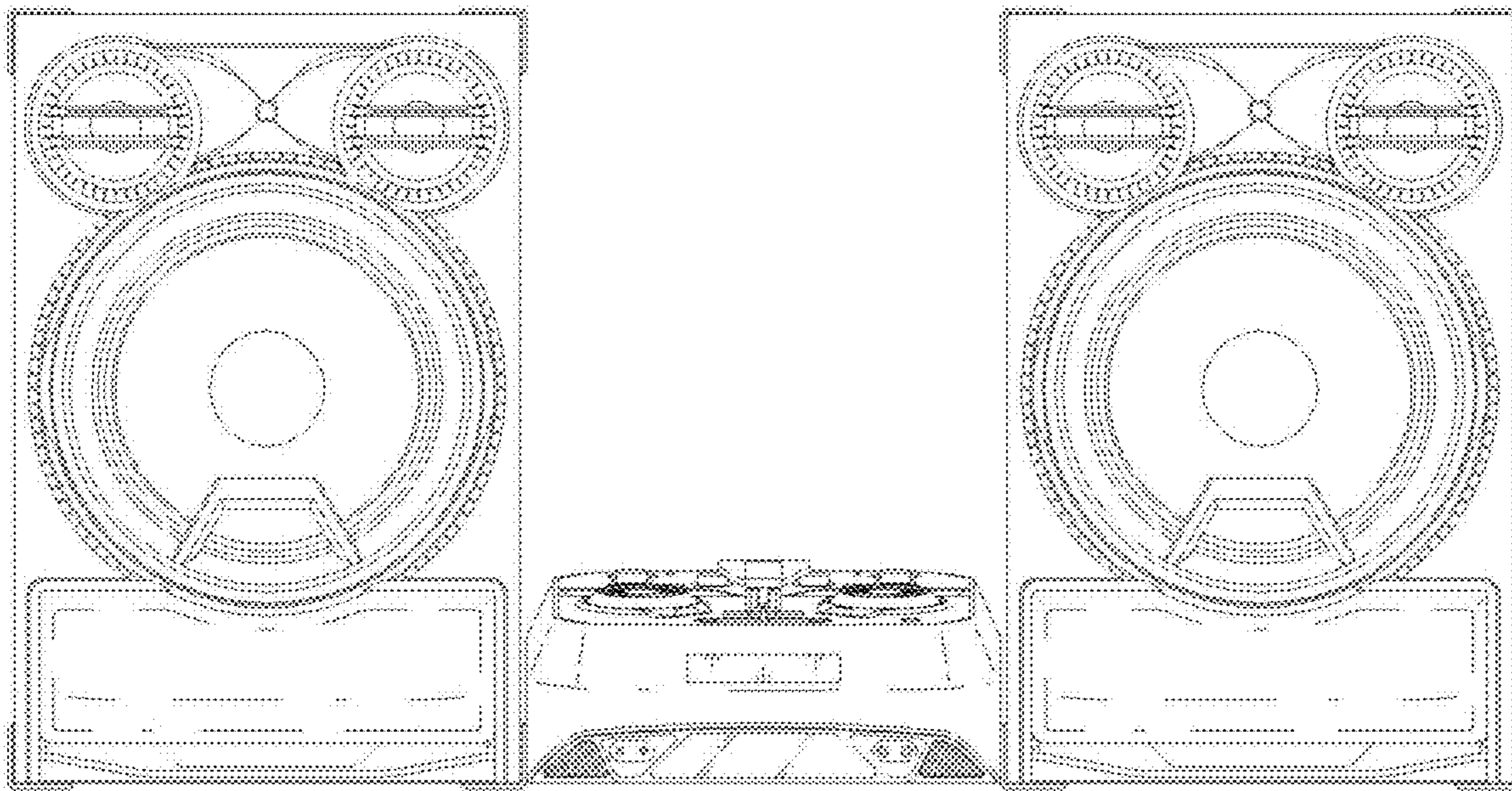
**1 Claim, 7 Drawing Sheets**



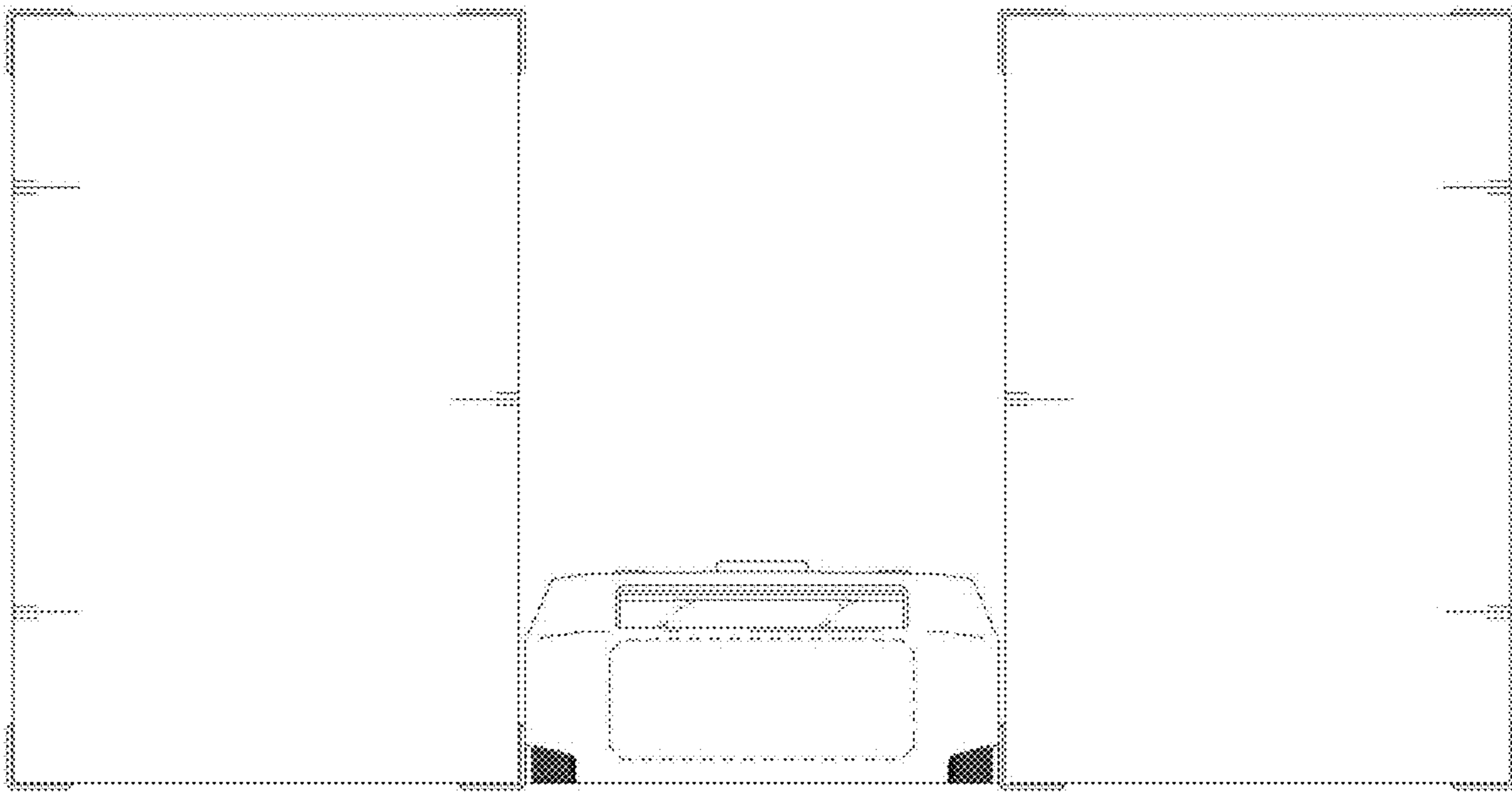
1.1



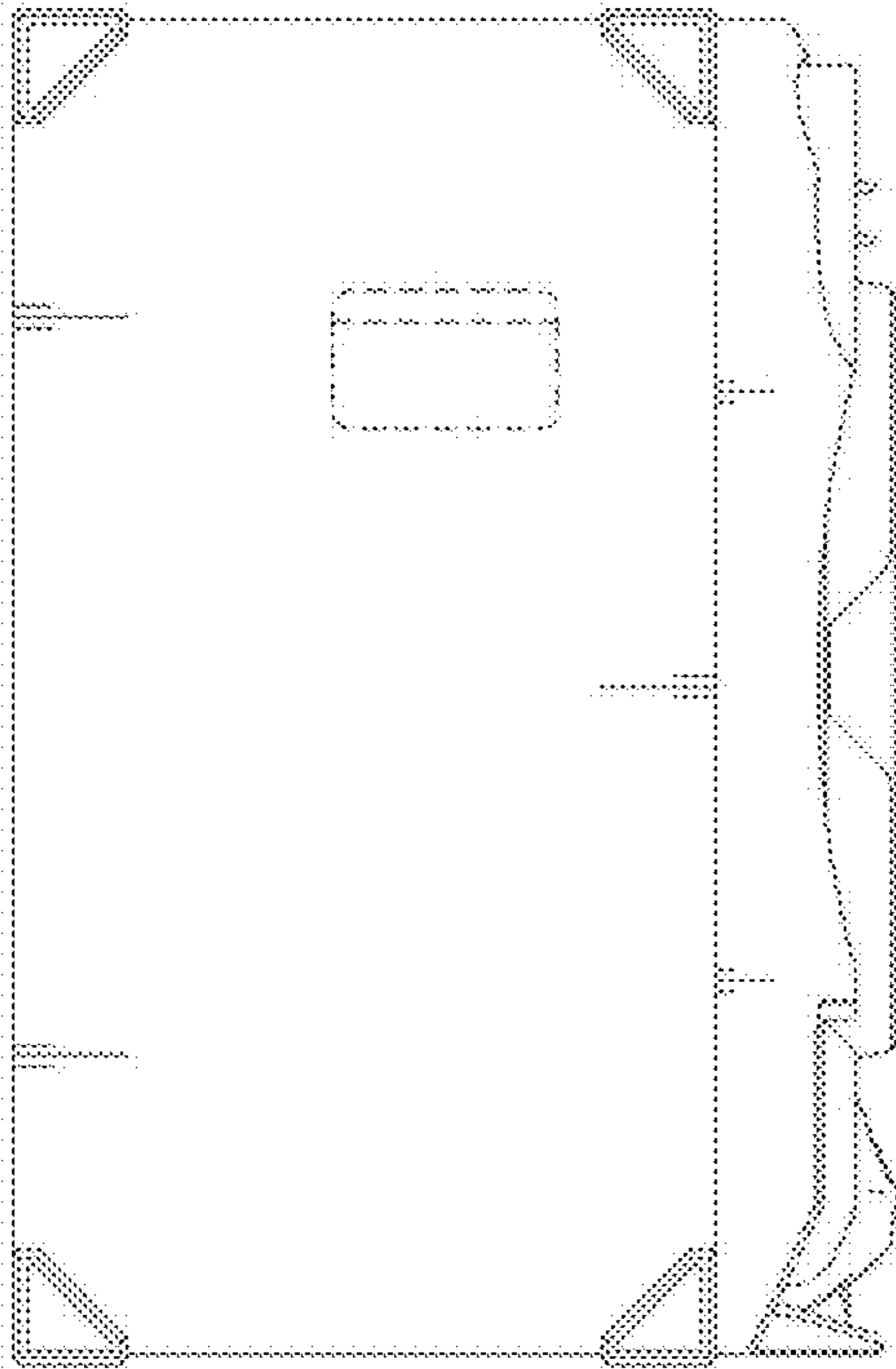
1.2



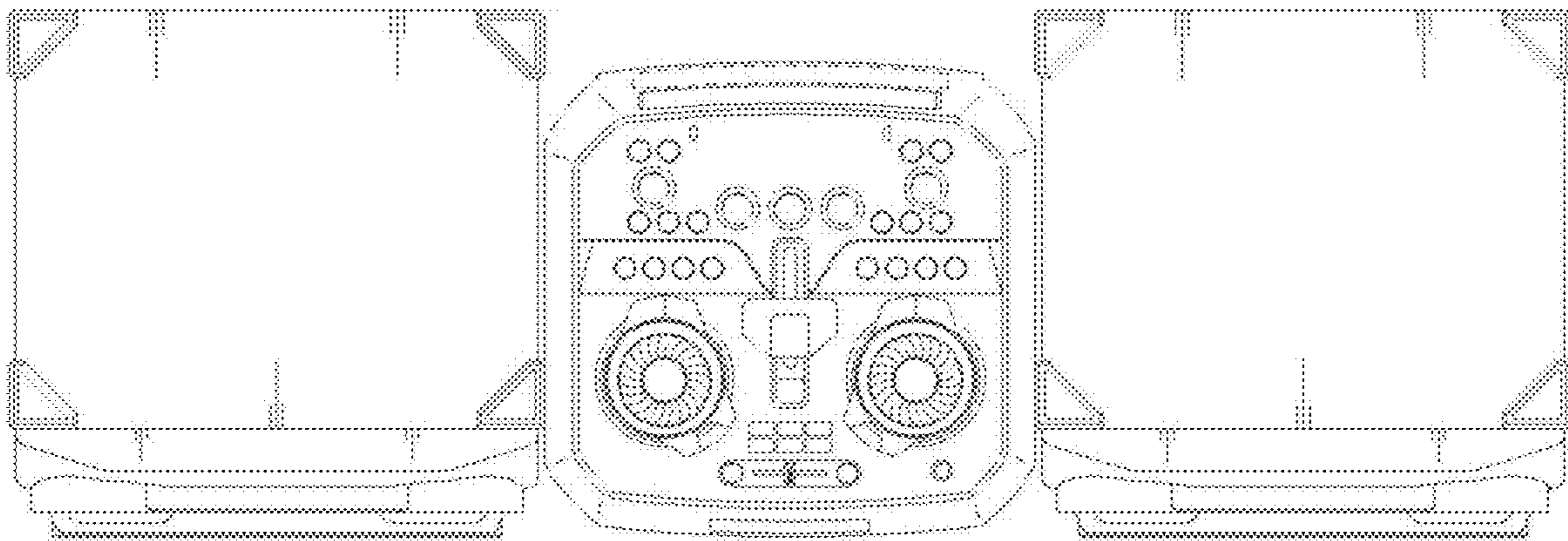
1.3



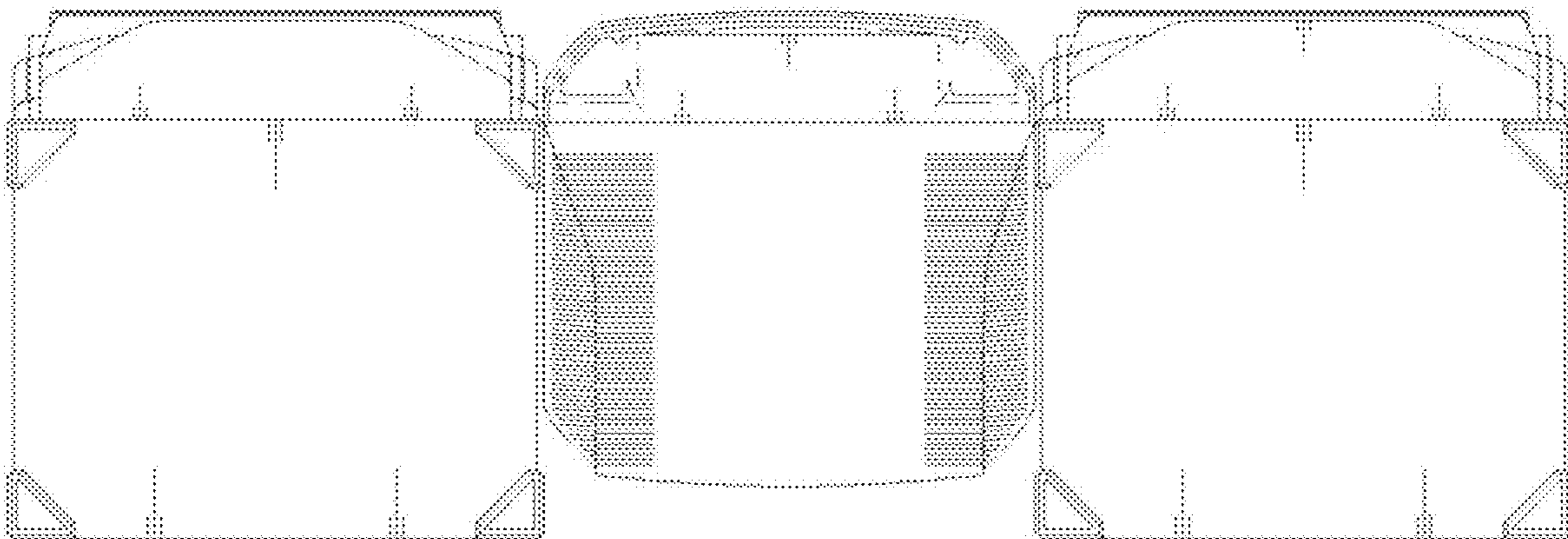
1.4



1.5



1.6



1.7

