

US00D862519S

(12) **United States Design Patent** (10) **Patent No.:** **US D862,519 S**  
**Lee et al.** (45) **Date of Patent:** **\*\* Oct. 8, 2019**

(54) **DISPLAY SCREEN OR PORTION THEREOF WITH GRAPHICAL USER INTERFACE**

(56) **References Cited**

(71) Applicant: **Samsung Electronics Co., Ltd.**, Suwon-si (KR)  
(72) Inventors: **Heon Woo Lee**, Seoul (KR); **Miyeon Park**, Seongnam-si (KR); **Yongman Park**, Yongin-si (KR); **Jakyoung Lee**, Seoul (KR); **Hyerim Kwak**, Seoul (KR); **Soyoung Lee**, Seoul (KR)

U.S. PATENT DOCUMENTS

D617,804 S	6/2010	Hirsch	
D627,360 S	11/2010	Aarseth	
D644,243 S	8/2011	Matas	
D669,497 S	10/2012	Lee	
D690,717 S	10/2013	Thomsen	
D695,777 S *	12/2013	Edwards	..... D14/488
D703,692 S	4/2014	Phelan	

(Continued)

(73) Assignee: **SAMSUNG ELECTRONICS CO., LTD.**, Suwon-si (KR)

OTHER PUBLICATIONS

Samsung Newsroom | Products | Mobile | Samsung Pay Trial Service Launched in Korea, posted on Jul. 16, 2015, Copyright © 2011-2017 Samsung [online], [site visited Jun. 23, 2017]. Available from Internet, <URL:https://news.samsung.com/global/samsung-pay-trial-service-launched-in-korea/>.

(\*\*) Term: **15 Years**  
(21) Appl. No.: **29/685,642**  
(22) Filed: **Mar. 29, 2019**

(Continued)

**Related U.S. Application Data**

(62) Division of application No. 29/658,888, filed on Aug. 3, 2018, now Pat. No. Des. 848,479, which is a division of application No. 29/610,559, filed on Jul. 13, 2017, now Pat. No. Des. 826,272, which is a division of application No. 29/564,974, filed on May 17, 2016, now Pat. No. Des. 797,124.

*Primary Examiner* — Philip S Hyder  
*Assistant Examiner* — Cary M Robinson

(74) *Attorney, Agent, or Firm* — McAndrews Held & Malloy, Ltd.

(57) **CLAIM**

The ornamental design for a display screen or portion thereof with graphical user interface, as shown and described.

(30) **Foreign Application Priority Data**

Nov. 18, 2015 (KR) ..... 30-2015-0058209

(51) **LOC (12) Cl.** ..... **14-04**

(52) **U.S. Cl.**  
USPC ..... **D14/492**

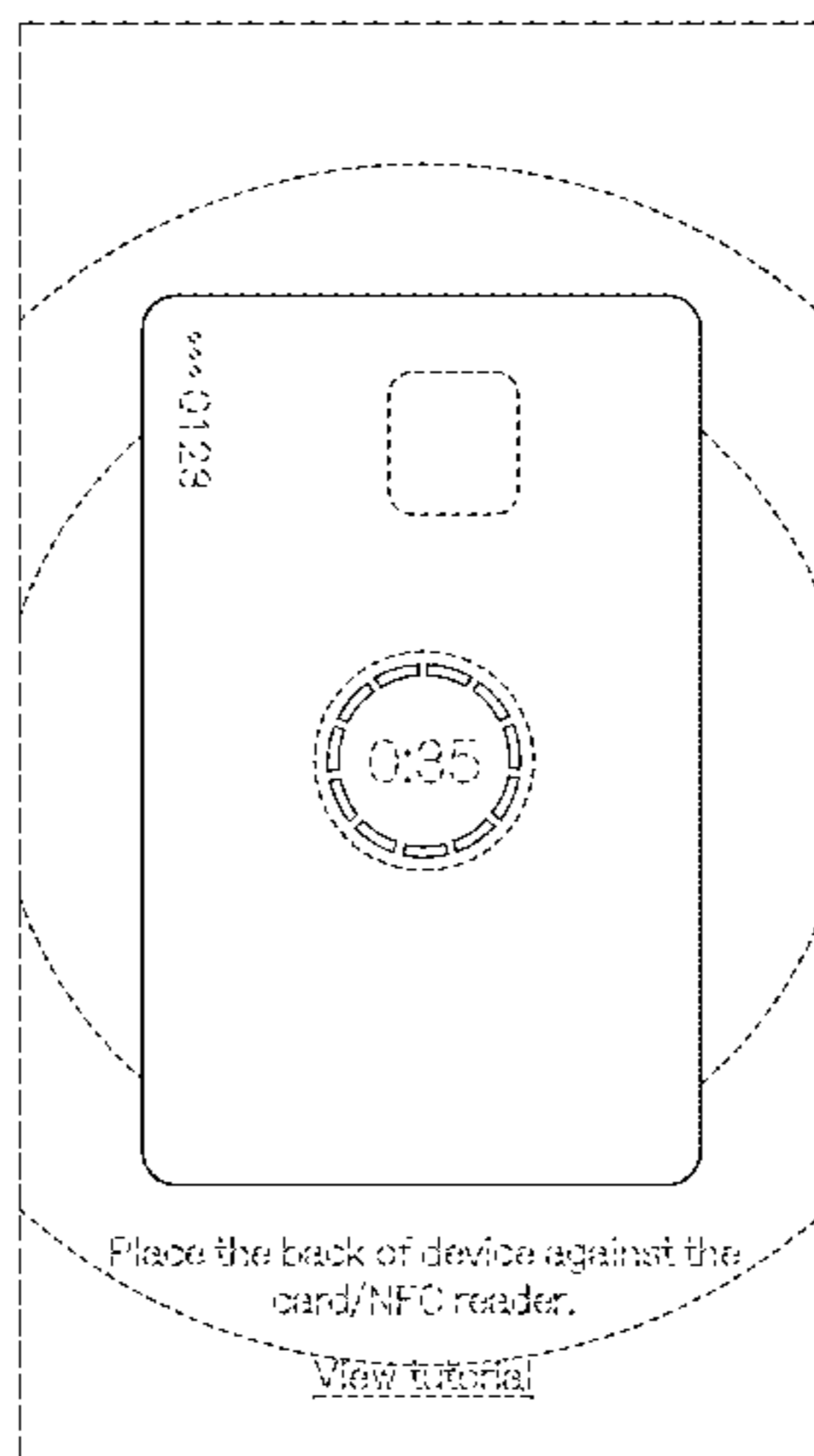
(58) **Field of Classification Search**  
USPC ..... D14/485–495  
CPC ... B60K 37/00; G06F 3/0481; G06F 3/04845; G06F 3/04817; G06F 17/212; G06F 19/3406; G06T 13/80; G06T 15/02  
See application file for complete search history.

**DESCRIPTION**

The FIGURE is a front view of a display screen or portion thereof with graphical user interface showing our new design.

The broken lines at the outer perimeter of the FIGURE depict a display screen or portion thereof and form no part of the claimed design. The remaining broken lines in the FIGURE depict portions of the graphical user interface that form no part of the claimed design.

**1 Claim, 1 Drawing Sheet**



(56)

References Cited

U.S. PATENT DOCUMENTS

D718,332 S \* 11/2014 Lacour ..... D14/487  
 D718,333 S \* 11/2014 Lacour ..... D14/487  
 D720,770 S \* 1/2015 Lacour ..... D14/487  
 D720,771 S \* 1/2015 Lacour ..... D14/487  
 D738,380 S 9/2015 Nielsen  
 D739,872 S 9/2015 Bang  
 D746,857 S 1/2016 Rayit  
 D746,866 S 1/2016 Memoria  
 D750,644 S 3/2016 Bhutani  
 D752,061 S 3/2016 Ahn  
 D753,151 S 4/2016 Lee  
 D754,713 S 4/2016 Zhang  
 D756,401 S 5/2016 Soldner  
 D759,061 S 6/2016 Sahoo  
 D760,283 S 6/2016 Horiuchi  
 D761,277 S 7/2016 Harvell  
 D761,812 S 7/2016 Motamedi  
 D761,830 S 7/2016 Zafirovski  
 D761,857 S 7/2016 Mariet  
 D762,671 S 8/2016 Chan  
 D763,861 S 8/2016 Kaasalainen  
 D763,869 S 8/2016 Wang  
 D765,101 S 8/2016 Park  
 D766,308 S 9/2016 Park  
 D769,312 S 10/2016 Chen  
 D769,889 S 10/2016 Kuhn  
 D773,531 S 12/2016 Toth  
 D775,658 S 1/2017 Luo  
 D776,152 S 1/2017 Park  
 D777,200 S 1/2017 Luo  
 D777,762 S 1/2017 Park  
 D777,778 S 1/2017 Park  
 D780,781 S 3/2017 Ding  
 D783,633 S 4/2017 Oh  
 D783,652 S 4/2017 Guan  
 D784,369 S 4/2017 Kuhn  
 D784,370 S 4/2017 Kuhn  
 D785,013 S 4/2017 Kuhn  
 D790,578 S 6/2017 Hatzikostas  
 D790,579 S 6/2017 Hays  
 D790,580 S 6/2017 Hatzikostas  
 D791,161 S 7/2017 Hatzikostas  
 D794,048 S 8/2017 Lee  
 D794,055 S 8/2017 Kim  
 D796,527 S 9/2017 Lee  
 D797,123 S 9/2017 Lee  
 D797,124 S 9/2017 Lee  
 D797,125 S 9/2017 Lee  
 D800,779 S 10/2017 Lee

D801,350 S 10/2017 Rejkowski  
 D803,881 S 11/2017 Hurley  
 D804,494 S 12/2017 Bombolowsky  
 D805,528 S 12/2017 Hersh  
 D806,091 S 12/2017 Weaver  
 D806,125 S 12/2017 Jewitt  
 D806,717 S 1/2018 Bae  
 D806,751 S 1/2018 Lee  
 D807,398 S 1/2018 Lee  
 D807,399 S 1/2018 Lee  
 D809,522 S 2/2018 Mizono  
 D811,421 S 2/2018 Caldwell  
 D813,245 S 3/2018 Mariet  
 D813,884 S 3/2018 Penker  
 D815,109 S 4/2018 Weaver  
 D819,685 S \* 6/2018 Lee ..... D14/488  
 D820,875 S 6/2018 Endreß et al.  
 D822,677 S \* 7/2018 Weaver ..... D14/485  
 10,019,724 B2 \* 7/2018 Patel ..... G06Q 20/325  
 D826,272 S 8/2018 Lee  
 D826,273 S 8/2018 Lee  
 D826,274 S 8/2018 Lee  
 D826,987 S 8/2018 Lee  
 D828,852 S \* 9/2018 Park ..... D14/486  
 D831,054 S \* 10/2018 Moon ..... D14/486  
 D837,258 S \* 1/2019 Lee ..... D14/489  
 D837,262 S \* 1/2019 Lee ..... D14/492  
 D837,805 S \* 1/2019 Kwak ..... D14/485  
 D842,892 S \* 3/2019 Anton ..... D14/487  
 D844,658 S \* 4/2019 Cholleton ..... D14/488  
 D844,668 S \* 4/2019 Lee ..... D14/492  
 D847,160 S \* 4/2019 Laflamme ..... D14/486  
 D847,854 S \* 5/2019 Christian ..... D14/488  
 2004/0223004 A1 11/2004 Lincke  
 2007/0136679 A1 6/2007 Yang  
 2012/0096383 A1 4/2012 Sakamoto  
 2012/0124520 A1 5/2012 Samp  
 2015/0019966 A1 1/2015 Jeon  
 2016/0337346 A1 11/2016 Momchilov  
 2017/0109178 A1 4/2017 Chen  
 2017/0185991 A1 6/2017 Park

OTHER PUBLICATIONS

Blog Spoon Graphics | Tutorials | How to Create a Vector Illustration from Start to Finish, posted on Jun. 15, 2015, no copyright date posted [online], [site visited Jul. 25, 2018]. Available from Internet, <URL: <https://blog.spoongraphics.co.uk/tutorials/how-to-create-a-vector-illustration-from-start-to-finish/>>.

\* cited by examiner

