

US00D862518S

(12) **United States Design Patent** (10) **Patent No.:** **US D862,518 S**
Niven et al. (45) **Date of Patent:** **** *Oct. 8, 2019**

(54) **DISPLAY SCREEN OR PORTION THEREOF WITH ICON**

(71) Applicant: **Dyson Technology Limited**, Wiltshire (GB)

(72) Inventors: **Ruth Niven**, Bristol (GB); **Leanne Joyce Garner**, Bristol (GB); **Andrew James Holden**, Cheltenham (GB); **Adam James Bates**, Oxford (GB)

(73) Assignee: **Dyson Technology Limited**, Malmesbury, Wiltshire (GB)

(*) Notice: This patent is subject to a terminal disclaimer.

(**) Term: **15 Years**

(21) Appl. No.: **29/648,611**

(22) Filed: **May 22, 2018**

(30) **Foreign Application Priority Data**

Nov. 24, 2017 (EM) 004521524-0019

(51) **LOC (12) Cl.** **14-04**

(52) **U.S. Cl.**
USPC **D14/492**; D14/491

(58) **Field of Classification Search**
USPC D14/489-495; D20/10, 11, 22-33, 39, D20/40; D5/20, 26, 30, 40, 63-65
CPC G06F 3/048-3/04897; F24F 11/001; F24F 11/008; G05B 15/02; G05D 23/19; H04L 2012/285; H04L 41/22; H04L 12/282; B60H 1/00; A47L 2201/00; F04D 25/00
See application file for complete search history.

(56) **References Cited**

U.S. PATENT DOCUMENTS

D606,090 S 12/2009 Danton
D606,553 S 12/2009 Kocmick

D681,672 S * 5/2013 Phelan D14/492
D684,188 S 6/2013 Kocmick
D684,189 S * 6/2013 Ridl D14/491
D687,856 S * 8/2013 Haug D14/489
D741,902 S * 10/2015 Sakamoto D14/489
D748,108 S 1/2016 Yun et al.
D757,802 S 5/2016 Kim et al.
D779,555 S * 2/2017 Kim D14/491
D780,799 S * 3/2017 Mehring D14/487
D783,141 S 4/2017 Poulton et al.
D791,824 S * 7/2017 Oyama D14/491
D808,261 S * 1/2018 Heidel D9/434
D819,048 S 5/2018 Bates et al.
D819,689 S * 6/2018 Schwartz D14/492
D823,340 S * 7/2018 Seo D14/491
D840,435 S * 2/2019 Gottle D14/492

(Continued)

OTHER PUBLICATIONS

Dyson Hot (AM04) Review, trustedreviews.com [online], published on Jan. 13, 2015, [retrieved on Jan. 17, 2019], retrieved from the Internet <URL: https://www.trustedreviews.com/reviews/dyson-hot-am04> (Year: 2015).*

(Continued)

Primary Examiner — Cathron C Brooks

Assistant Examiner — Ian F Whitmore

(74) *Attorney, Agent, or Firm* — Morrison & Foerster LLP

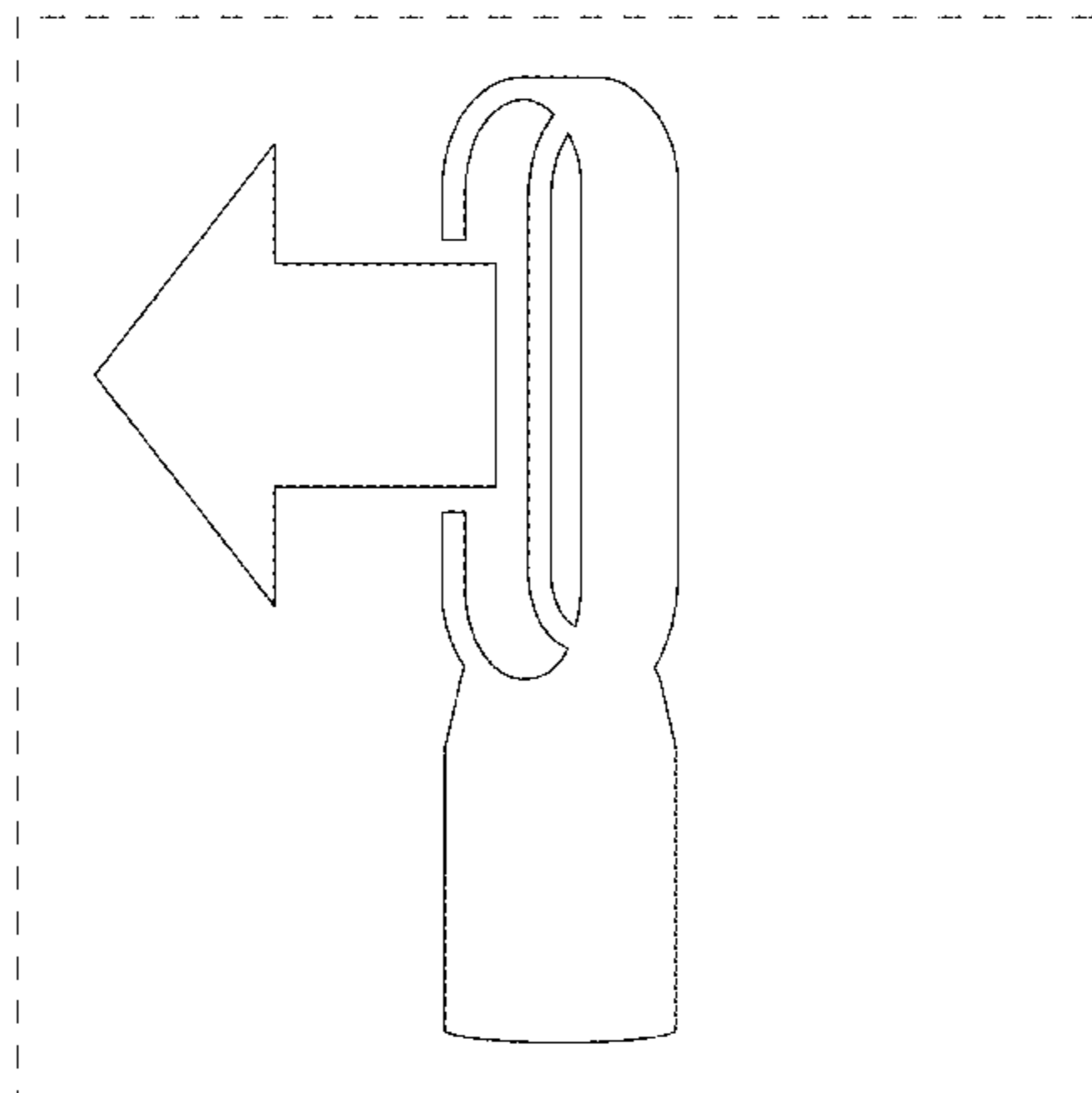
(57) **CLAIM**

We claim the ornamental design for a display screen or portion thereof with icon, as shown and described.

DESCRIPTION

The single FIGURE is a front view of a display screen or portion thereof with icon showing our new design. The broken-line perimeter illustrates a display screen or portion thereof and forms no part of the claimed design.

1 Claim, 1 Drawing Sheet



(56)

References Cited

U.S. PATENT DOCUMENTS

D843,412 S * 3/2019 Wang D14/489
2005/0177800 A1* 8/2005 Suzuki G06F 3/04842
715/823
2012/0313946 A1 12/2012 Nakamura et al.
2017/0095315 A1* 4/2017 van der Weide A61B 90/39

OTHER PUBLICATIONS

Dyson Pure Cool Review, [allergycosmos.co.uk](https://www.allergycosmos.co.uk) [online], published on May 25, 2016, [retrieved on Jan. 14, 2019], retrieved from the Internet <URL: <https://www.allergycosmos.co.uk/blog/dyson-pure-cool-review/>> (Year: 2016).*

Cong, R. (Nov. 6, 2012) "How Does the Dyson Air Multiplier Work?", located at <<https://www.jameco.com/jameco/workshop/howitworks/dysonairmultiplier.html>> (3 pages).

Mac Equipment, Inc. (Mar. 21, 1995) "MIASMACT," Trademark Registration Serial No. 74510395, 2 pages.

Thewere42. (Oct. 13, 2009) "Dyson—Vacuum Icon Offers Bladeless Fan—for \$300," located at <<https://thewere42.wordpress.com/2009/10/13/dyson-vacuum-icon-offers-bladeless-fan-%E2%80%94for-300/>> (2 pages).

* cited by examiner

