



(12) **United States Design Patent** (10) **Patent No.:** **US D862,504 S**
Yang et al. (45) **Date of Patent:** **** *Oct. 8, 2019**

(54) **DISPLAY SCREEN OR PORTION THEREOF WITH TRANSITIONAL GRAPHICAL USER INTERFACE**

(71) Applicant: **SAMSUNG ELECTRONICS CO., LTD.**, Suwon-si, Gyeonggi-do (KR)

(72) Inventors: **Sul-Hee Yang**, Incheon-si (KR); **Jang-Won Seo**, Seoul (KR)

(73) Assignee: **SAMSUNG ELECTRONICS CO., LTD.**, Gyeonggi-do (KR)

(*) Notice: This patent is subject to a terminal disclaimer.

(**) Term: **15 Years**

(21) Appl. No.: **29/647,515**

(22) Filed: **May 14, 2018**

(30) **Foreign Application Priority Data**

Nov. 15, 2017 (KR) 30-2017-0053338

(51) **LOC (12) Cl.** **14-04**

(52) **U.S. Cl.**
USPC **D14/486**

(58) **Field of Classification Search**

USPC D14/485-495
 CPC .. G06F 3/0482; G06F 3/04883; G06F 3/0481;
 G06F 3/04842; G06F 3/0488; G06F
 3/04817; G06F 3/04847; G06F 3/0485;
 G06F 3/04886; G06F 3/0484; G06F
 9/451; G06F 3/04845; G06F 3/0486;
 G07F 17/32; G07F 17/3244

See application file for complete search history.

(56) **References Cited**

U.S. PATENT DOCUMENTS

D638,027 S * 5/2011 Towbin D14/488
 D658,195 S * 4/2012 Cranfill D14/486
 D669,906 S * 10/2012 Cranfill G06F 3/04883
 D14/485
 D693,842 S * 11/2013 Tsuda D14/489

(Continued)

FOREIGN PATENT DOCUMENTS

EM 002473835-0024 6/2014
 KR 300602290 S 6/2011

(Continued)

Primary Examiner — Cathron C Brooks

Assistant Examiner — Andrew T Nemeth

(74) *Attorney, Agent, or Firm* — Cantor Colburn LLP

(57) **CLAIM**

The ornamental design for a display screen or portion thereof with transitional graphical user interface, as shown and described.

DESCRIPTION

FIG. 1 is a front view of a display screen or portion thereof with transitional graphical user interface, showing the first image in a sequence, showing our new design;

FIG. 2 is a front view showing the second image thereof;

FIG. 3 is a front view showing the third image thereof;

FIG. 4 is a front view showing the fourth image thereof;

FIG. 5 is a front view showing the fifth image thereof;

FIG. 6 is a front view showing the sixth image thereof;

FIG. 7 is a front view showing the seventh image thereof;

and,

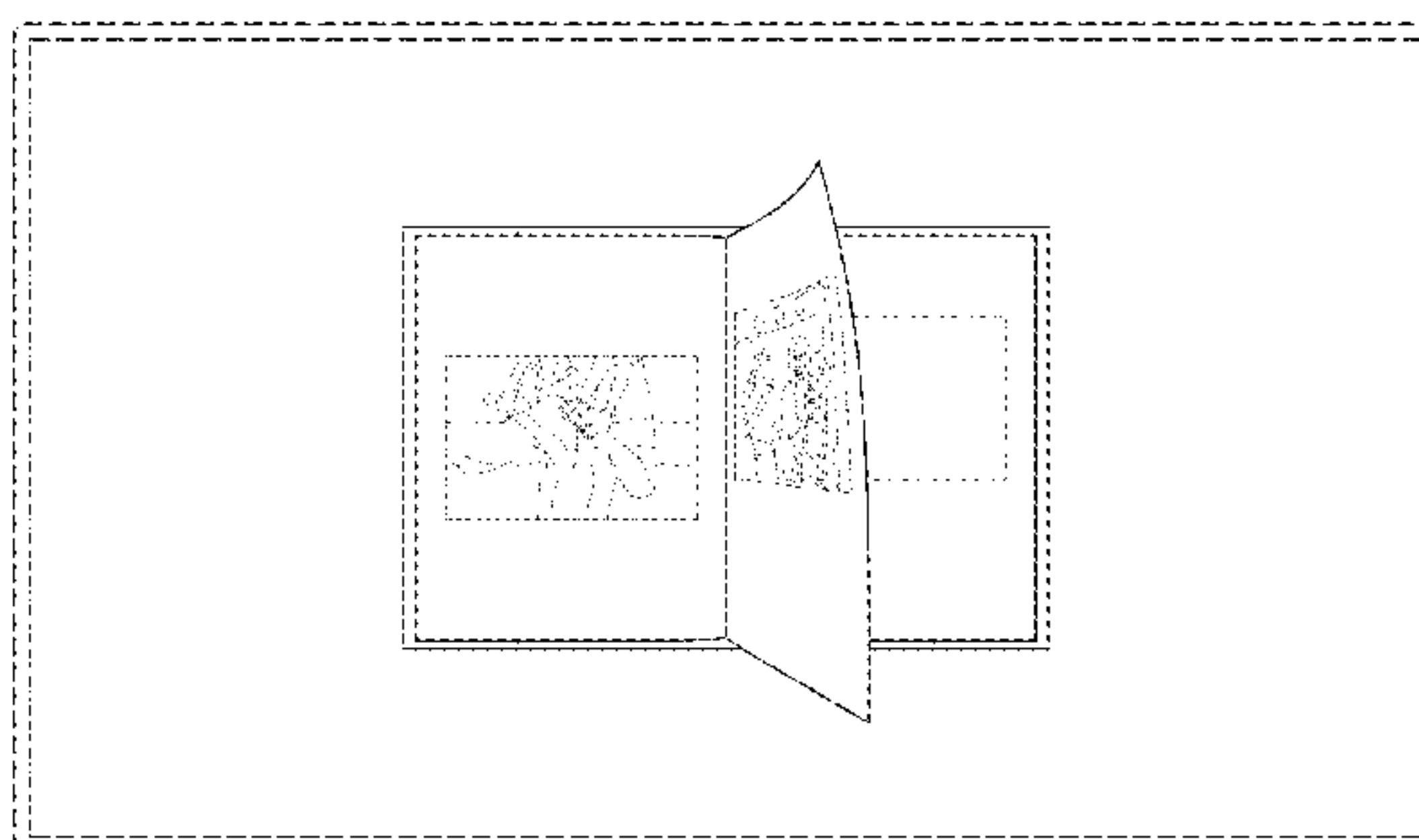
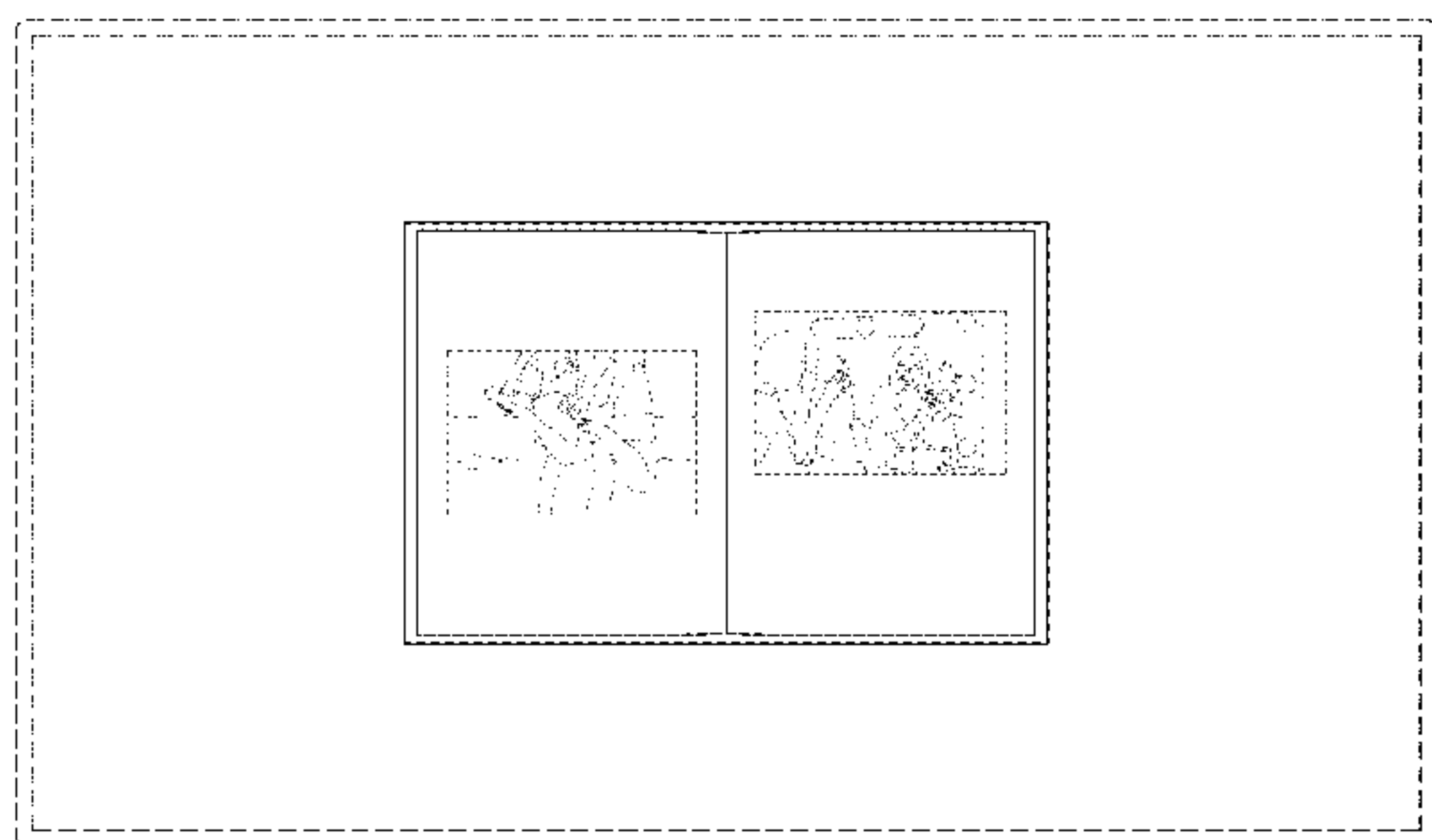
FIG. 8 is a front view showing the eighth image thereof.

The outermost broken lines illustrating portions of a display screen or portion thereof form no part of the claimed design.

The remainder of the broken lines illustrating portions of the graphical user interface forms no part of the claimed design.

The appearance of the transitional image sequentially transitions between the images shown in FIGS. 1-8. The process or period in which one image transitions to another image forms no part of the claimed design.

1 Claim, 8 Drawing Sheets



(56)

References Cited

U.S. PATENT DOCUMENTS

D706,810 S * 6/2014 Jones D14/488
 D727,924 S * 4/2015 Yu G06F 3/04817
 D14/485
 D729,818 S * 5/2015 Bae D14/485
 D732,551 S * 6/2015 Lee G06F 3/04817
 D14/485
 D733,163 S * 6/2015 Lee G06F 3/04817
 D14/485
 D735,216 S * 7/2015 Lee G06F 3/04817
 D14/485
 D735,734 S * 8/2015 Lee D14/485
 D736,220 S * 8/2015 Lee G06F 3/04817
 D14/485
 D736,221 S * 8/2015 Lee D14/485
 D736,781 S * 8/2015 Lee D14/485
 D736,782 S * 8/2015 Lee G06F 3/04817
 D14/485
 D737,280 S * 8/2015 Lee G06F 3/04817
 D14/485

D750,641 S * 3/2016 Yu D14/485
 D758,385 S * 6/2016 Dong D14/485
 D762,208 S 7/2016 Akana et al.
 D775,158 S * 12/2016 Dong D14/485
 D787,523 S * 5/2017 Jones D14/485
 D787,524 S * 5/2017 Jones D14/485
 D789,378 S * 6/2017 Gottlieb D14/485
 D793,404 S * 8/2017 Inose D14/485
 D809,547 S * 2/2018 Wilde D14/486
 D823,299 S * 7/2018 Akana D14/341
 2013/0249940 A1* 9/2013 Nakada G09G 5/14
 345/629
 2013/0321340 A1* 12/2013 Seo G06F 1/1641
 345/174
 2014/0046809 A1* 2/2014 Baker G06F 3/0482
 705/27.1

FOREIGN PATENT DOCUMENTS

KR 300647893 S 6/2012
 KR 300668900 S 11/2012

* cited by examiner

FIG. 1

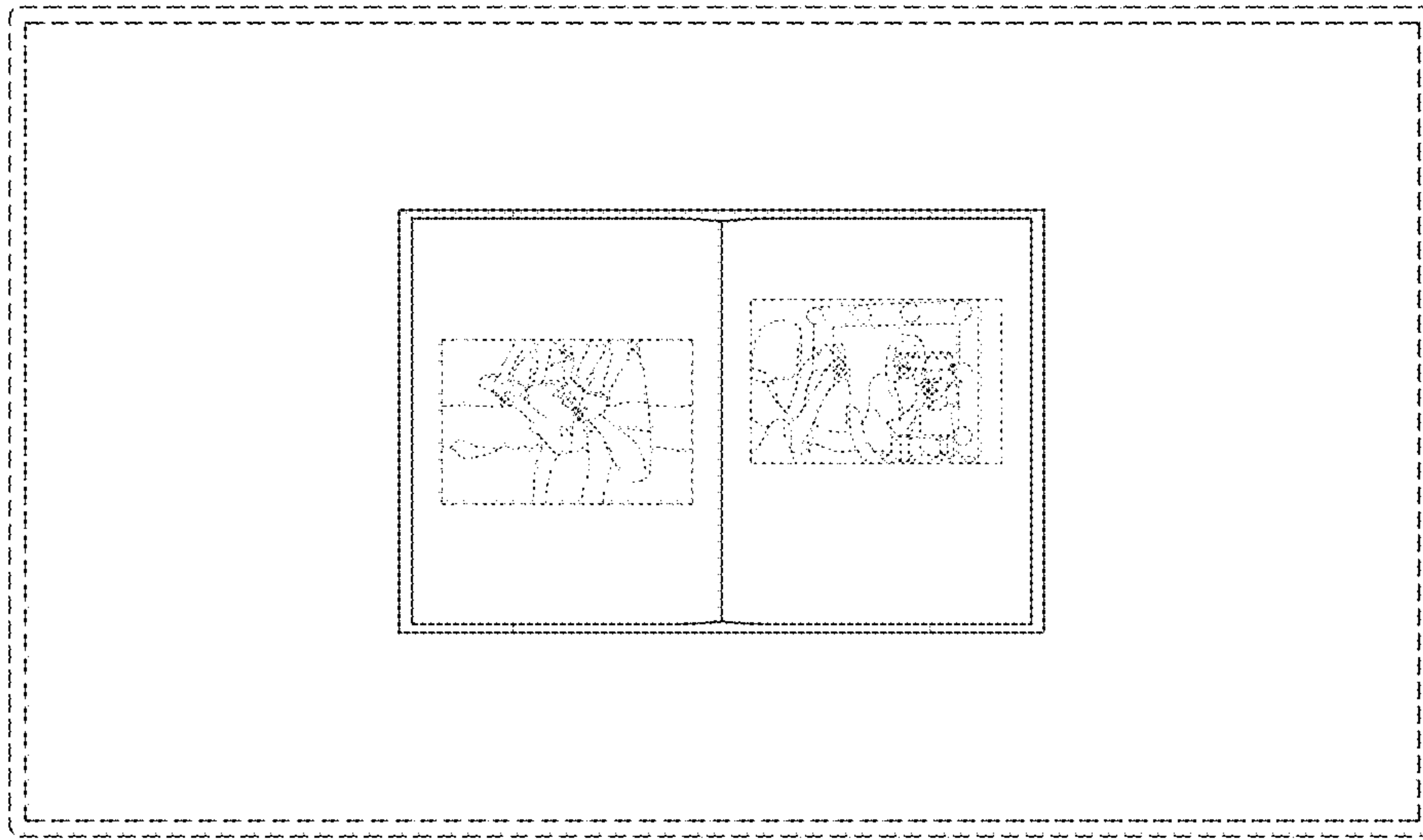


FIG. 2

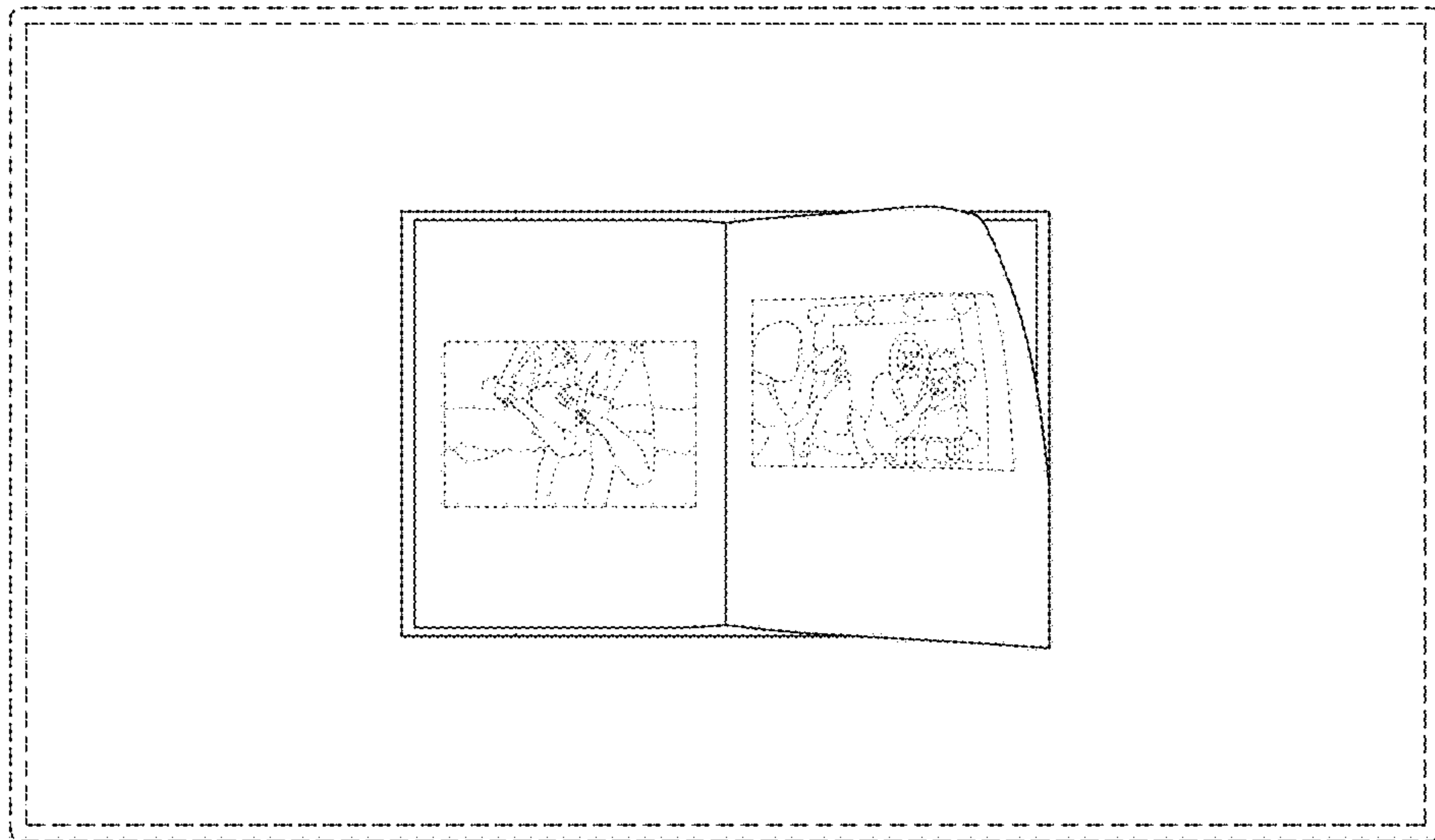


FIG. 3

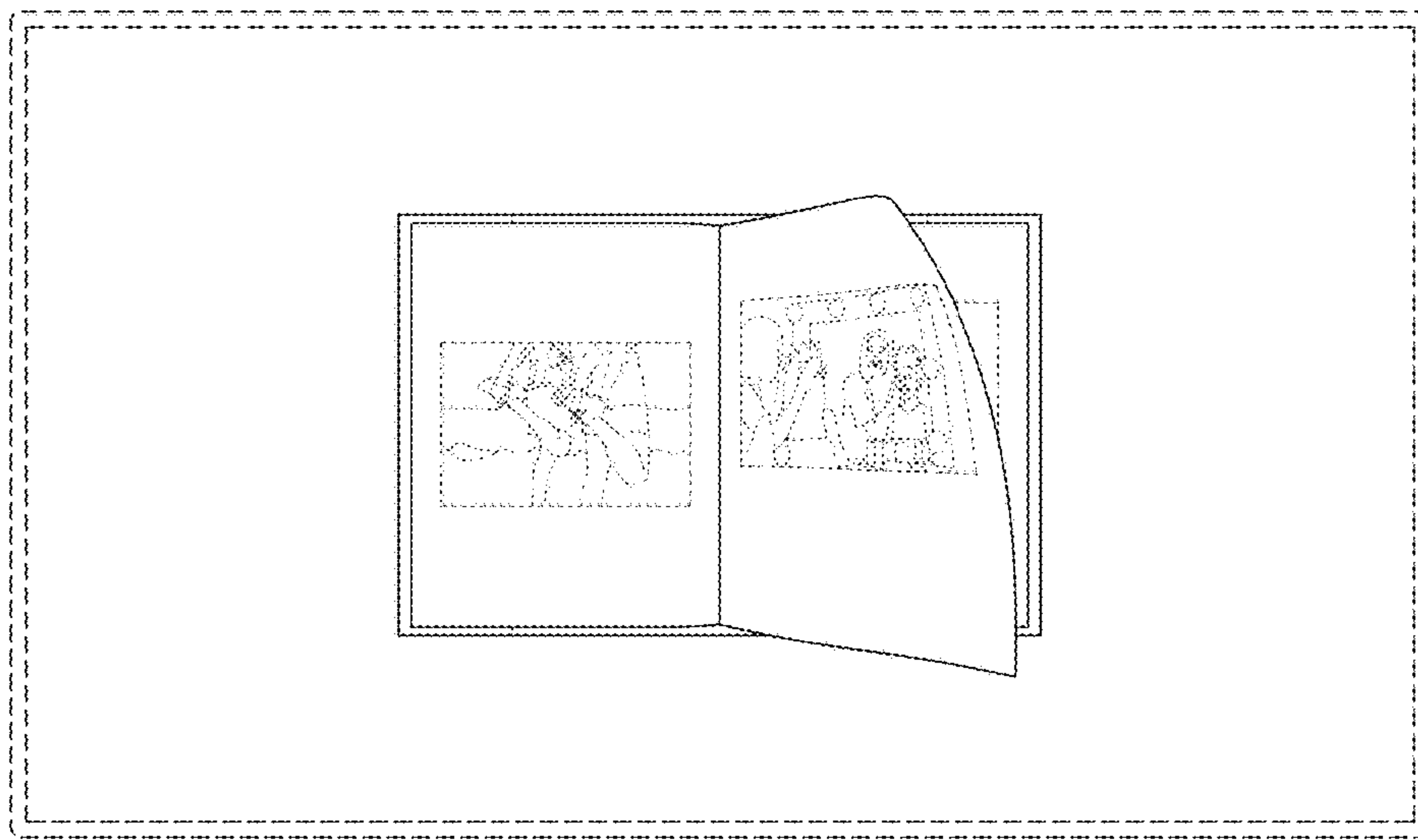


FIG. 4

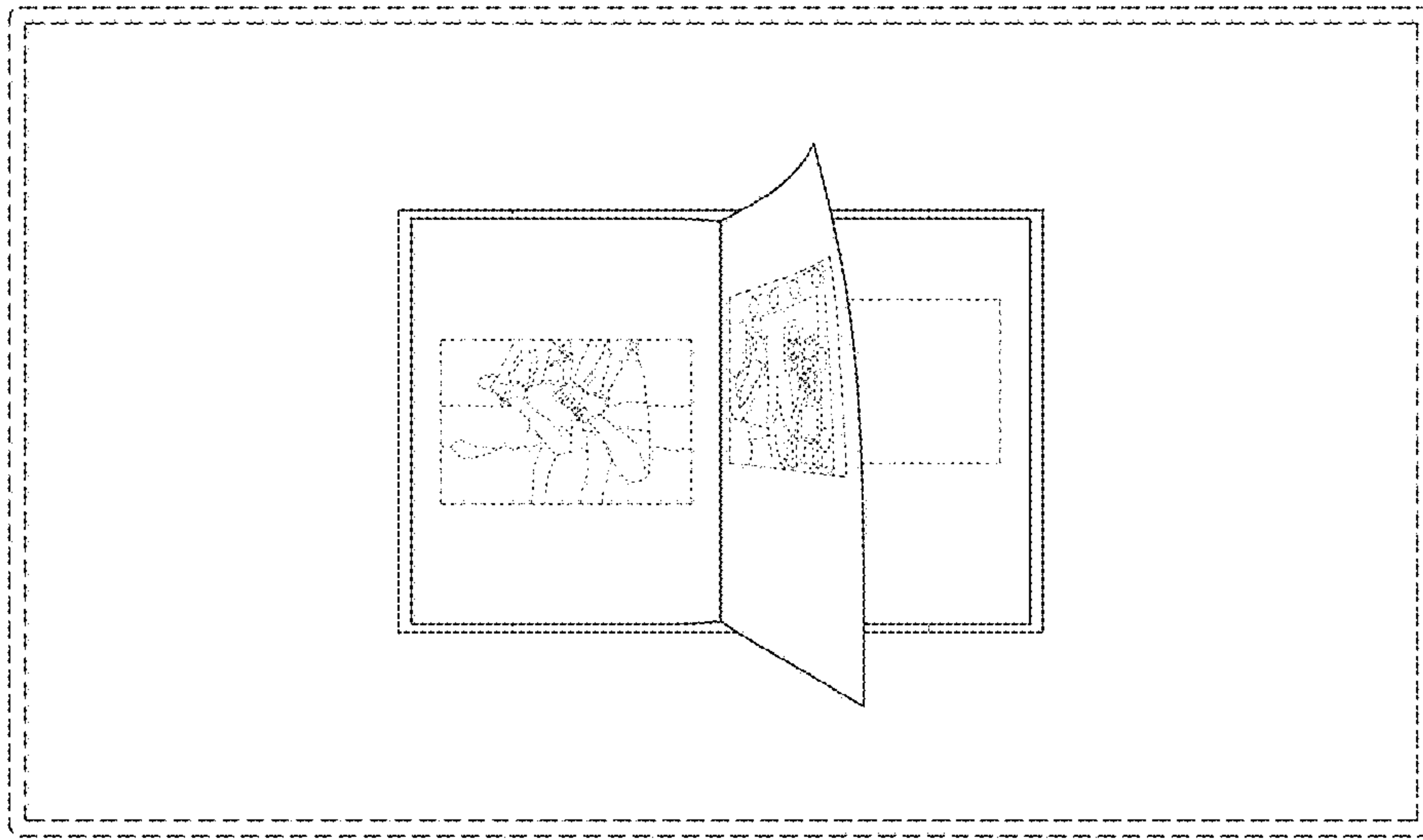


FIG. 5

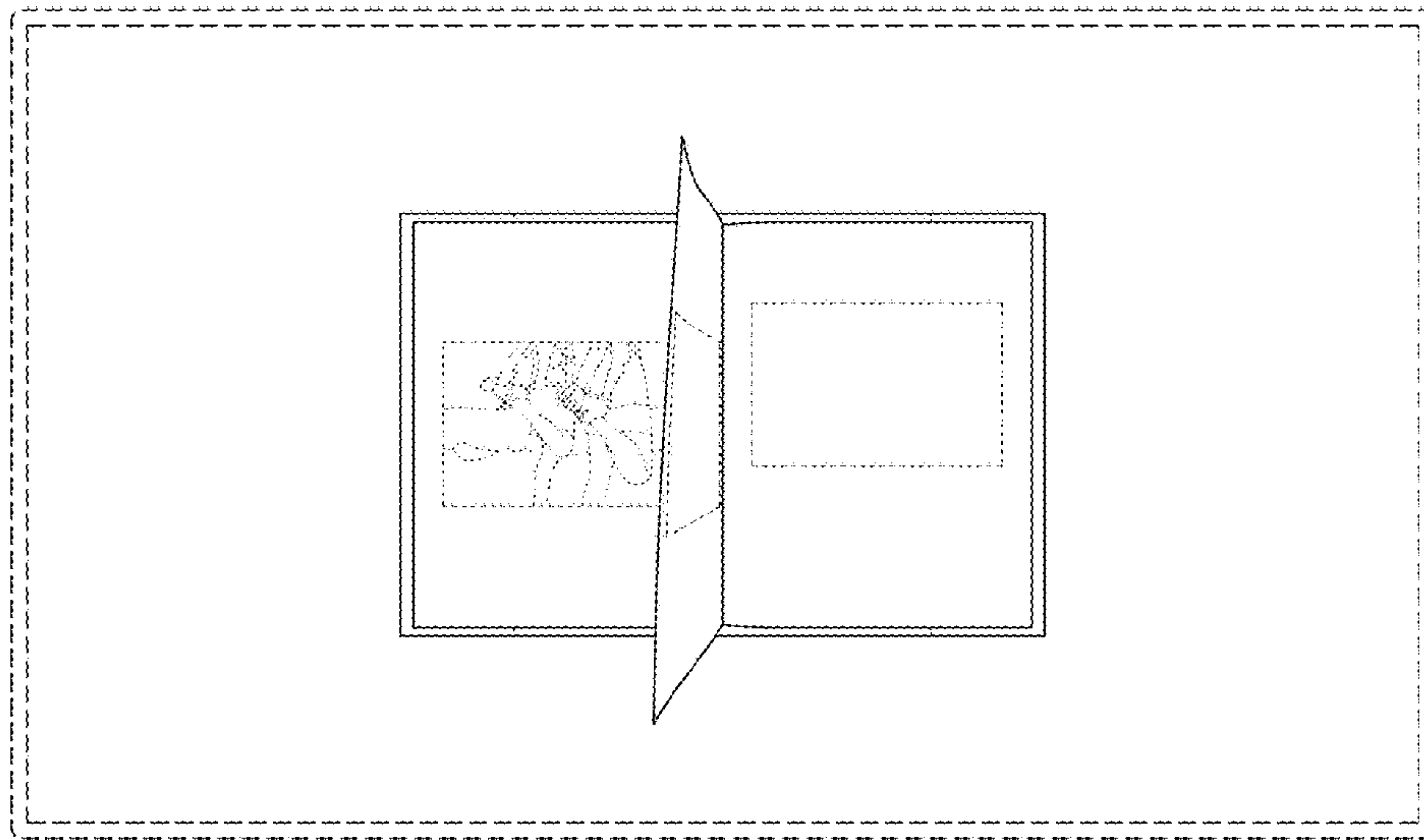


FIG. 6

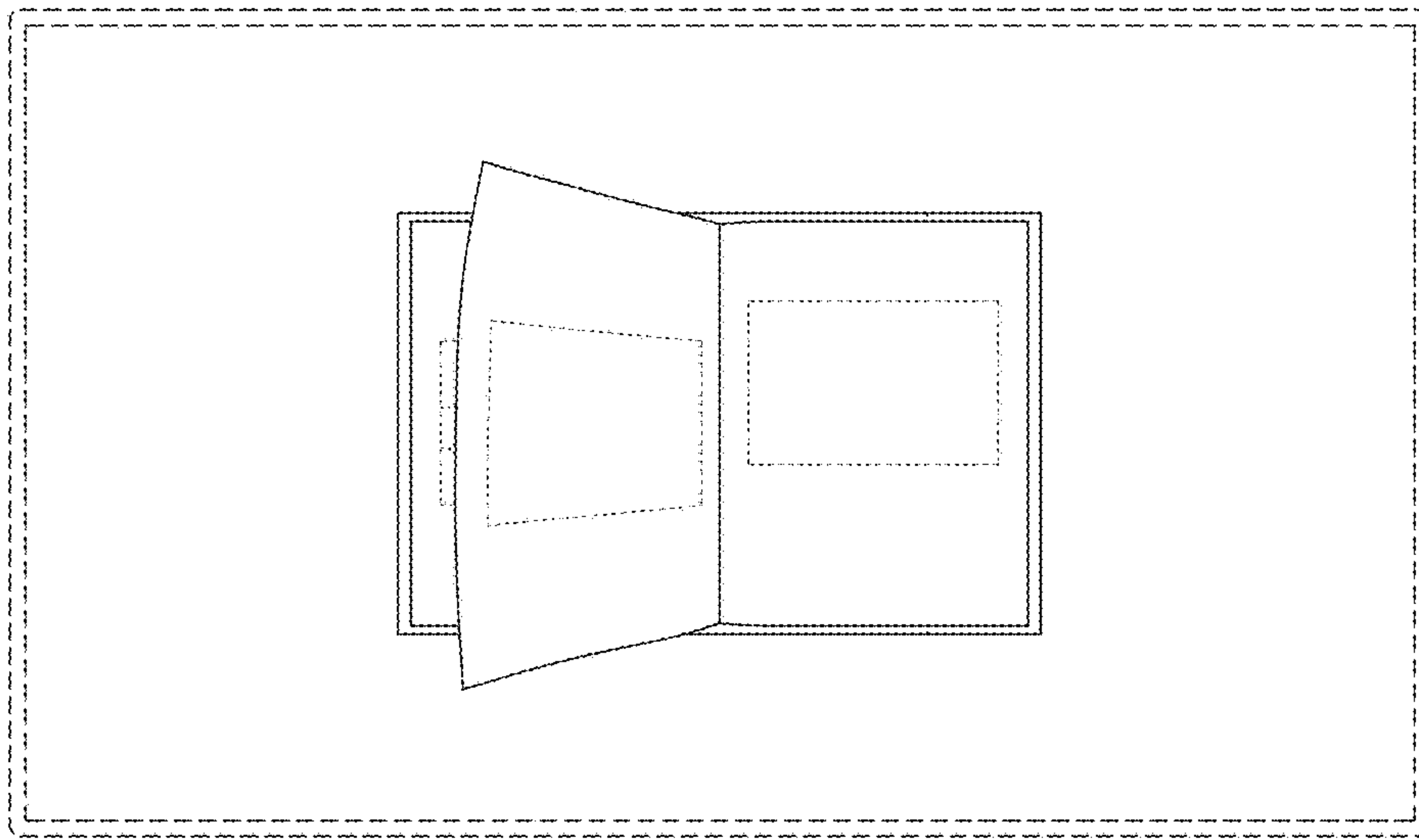


FIG. 7

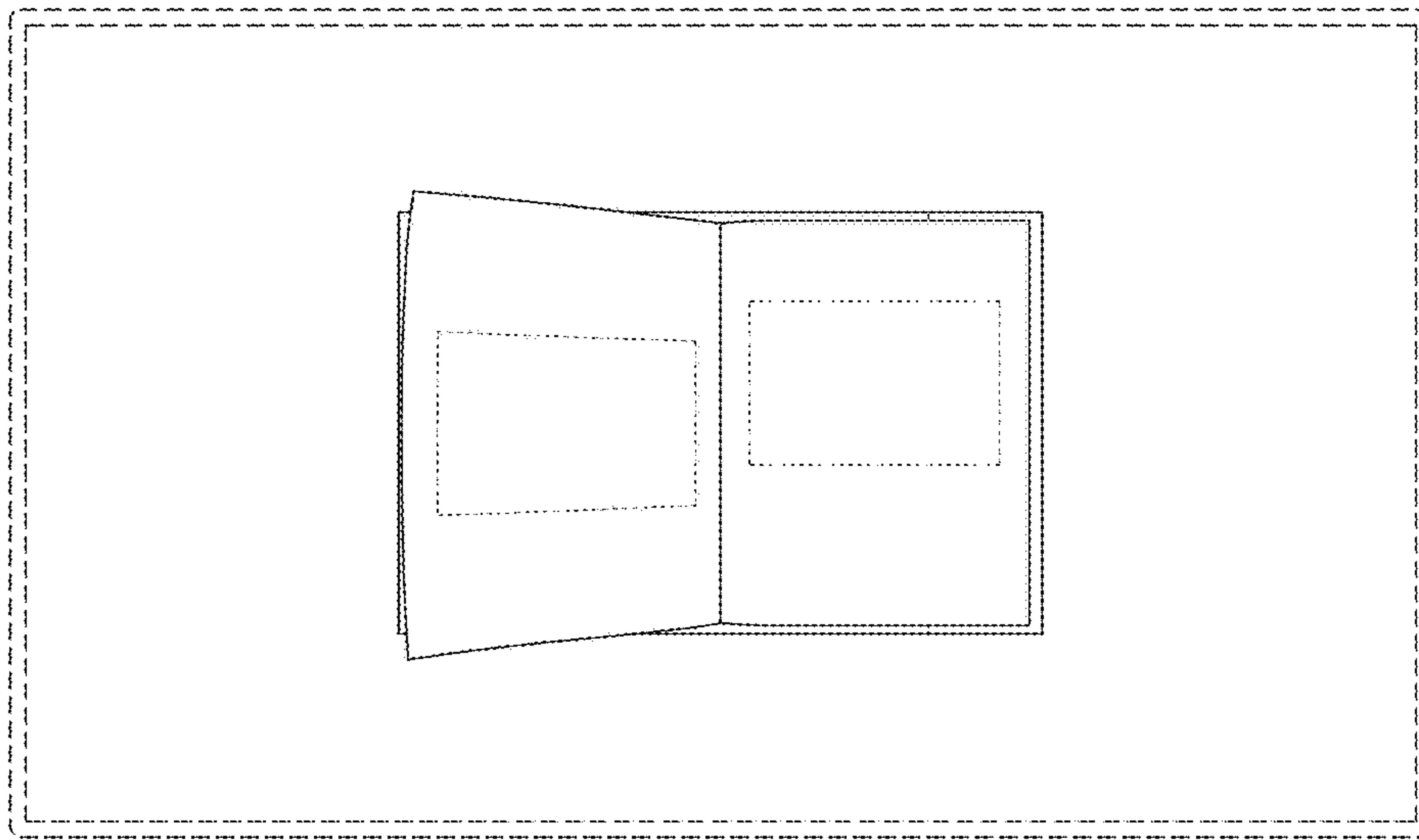


FIG. 8

