



US00D862486S

(12) **United States Design Patent**
Roberts

(10) **Patent No.:** **US D862,486 S**

(45) **Date of Patent:** **** Oct. 8, 2019**

(54) **USB FLASH DRIVE**

(71) Applicant: **James Christopher Roberts**, St Martin (GB)

(72) Inventor: **James Christopher Roberts**, St Martin (GB)

(73) Assignee: **Flashbay Electronics Hong Kong Limited**, Hong Kong (HK)

(**) Term: **15 Years**

(21) Appl. No.: **29/635,601**

(22) Filed: **Feb. 1, 2018**

(51) **LOC (12) Cl.** **14-03**

(52) **U.S. Cl.**
USPC **D14/480.6**

(58) **Field of Classification Search**
USPC D14/480.1–480.7, 435.1, 411, 433, 436, D14/484.1, 137, 155, 203.1–203.8, 240, D14/242; D13/133, 154
CPC H05K 5/0278; G06K 19/07732
See application file for complete search history.

(56) **References Cited**

U.S. PATENT DOCUMENTS

D513,000 S	*	12/2005	Cohen	D14/480.3
D524,038 S	*	7/2006	Leung	D14/480.5
D534,167 S	*	12/2006	Harkabi	D14/480.5
D537,818 S	*	3/2007	Burton	D14/480.1
D606,078 S	*	12/2009	Chen	D14/480.6
D640,263 S	*	6/2011	Huang	D14/480.3

D709,513 S	*	7/2014	Huang	D14/480.3
D720,761 S	*	1/2015	Winzenried	D14/480.5
D721,714 S	*	1/2015	Enayati	D14/480.6
D724,096 S	*	3/2015	Huang	D14/480.3
D724,600 S	*	3/2015	Hsieh	D14/480.1
D724,601 S	*	3/2015	Hsieh	D14/480.3
D798,876 S	*	10/2017	Huang	D14/480.1

* cited by examiner

Primary Examiner — Angela J Lee

(57) **CLAIM**

The ornamental design for a USB flash drive, as shown and described.

DESCRIPTION

FIG. 1 is a top view of the USB flash drive.
 FIG. 2 is a rear view of the USB flash drive.
 FIG. 3 is right side view of the USB flash drive, the left being a mirror image thereof.
 FIG. 4 is a front view of the USB flash drive.
 FIG. 5 is top, rear, left side perspective of the USB flash drive.
 FIG. 6 is a top, front, left side perspective of the USB flash drive.
 FIG. 7 is a top, right side perspective of the USB flash drive with the carabiner in open position and USB dual connector rotated 180 degrees showing USB-A connector; and,
 FIG. 8 is a top, left side perspective of the USB flash drive with a USB dual connector rotated 90 degrees showing both USB-A and USB-C connectors.

1 Claim, 2 Drawing Sheets

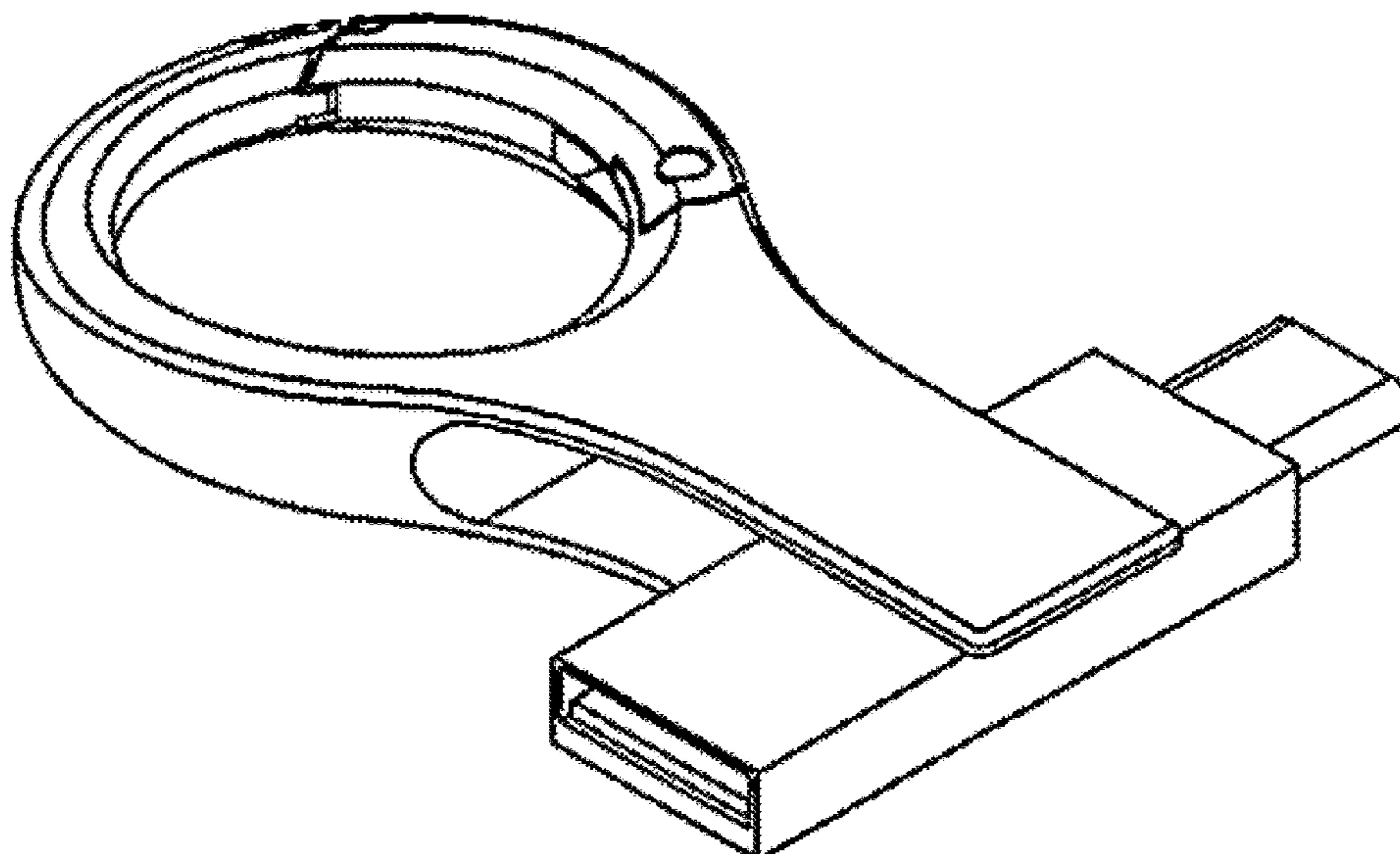


FIG.1

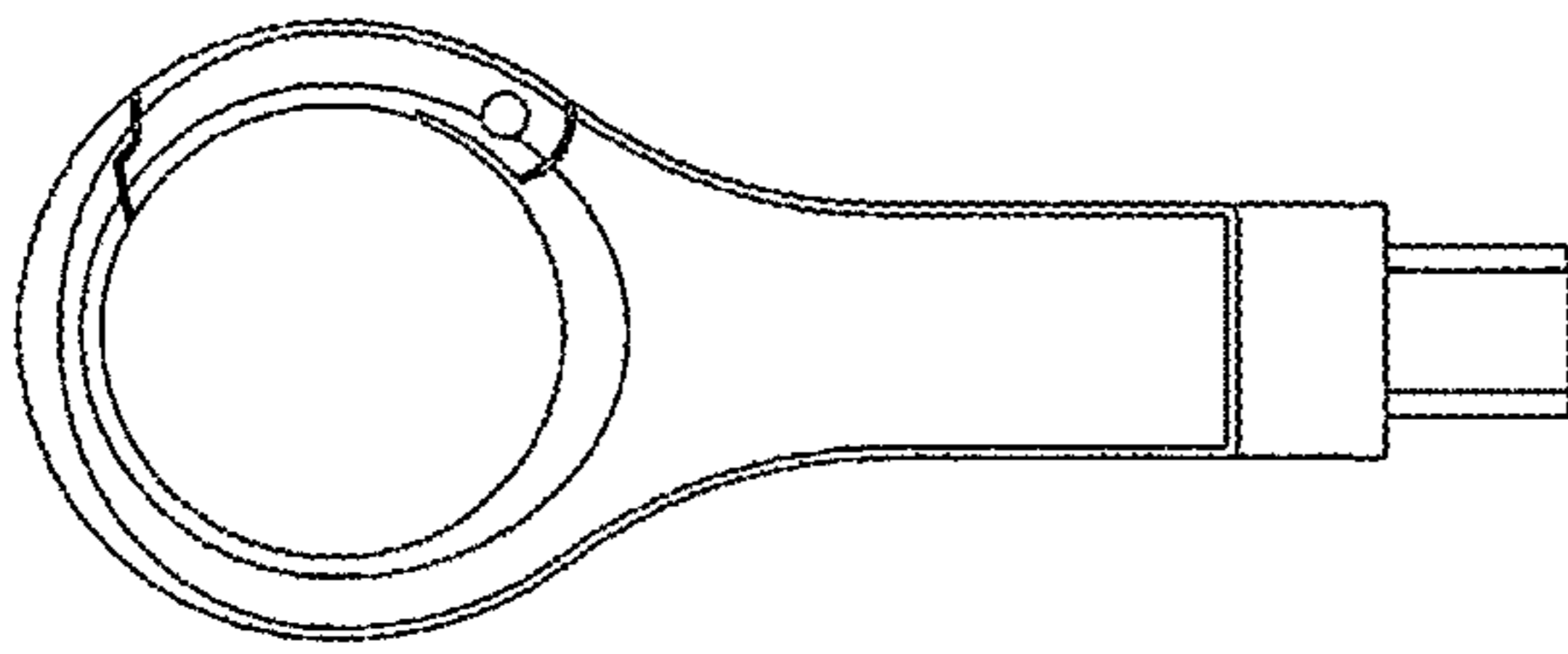


FIG.2

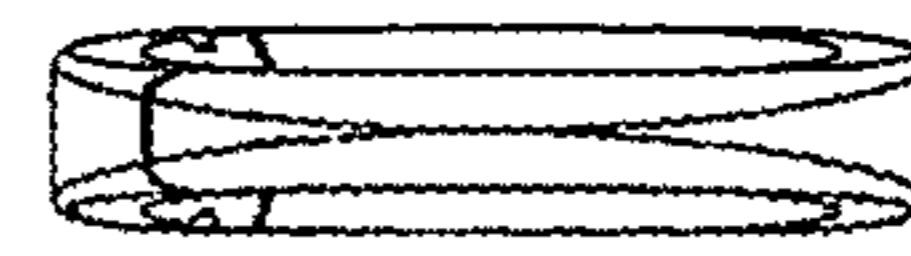


FIG.3



FIG.4



FIG.5

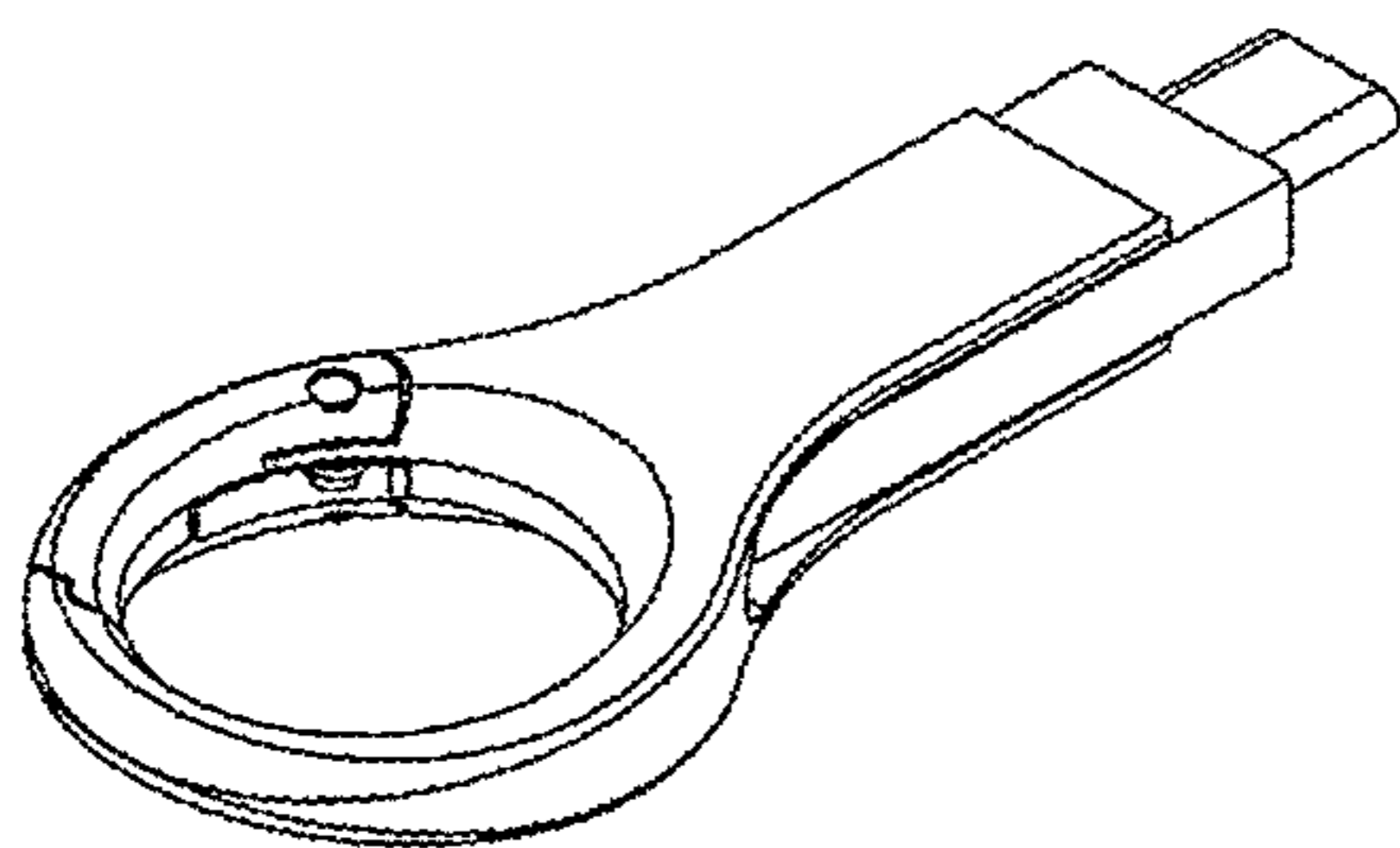


FIG.6

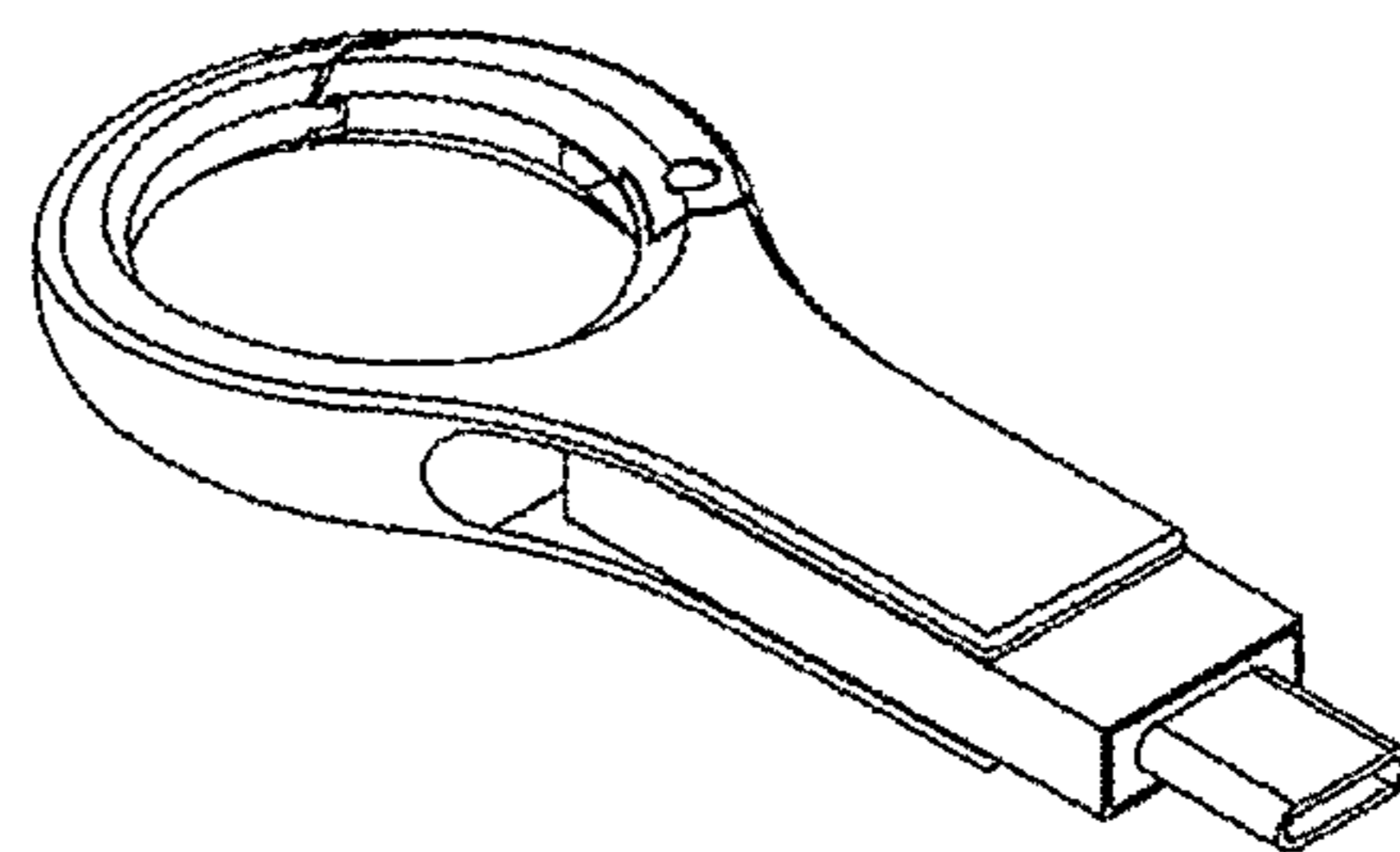


FIG.7

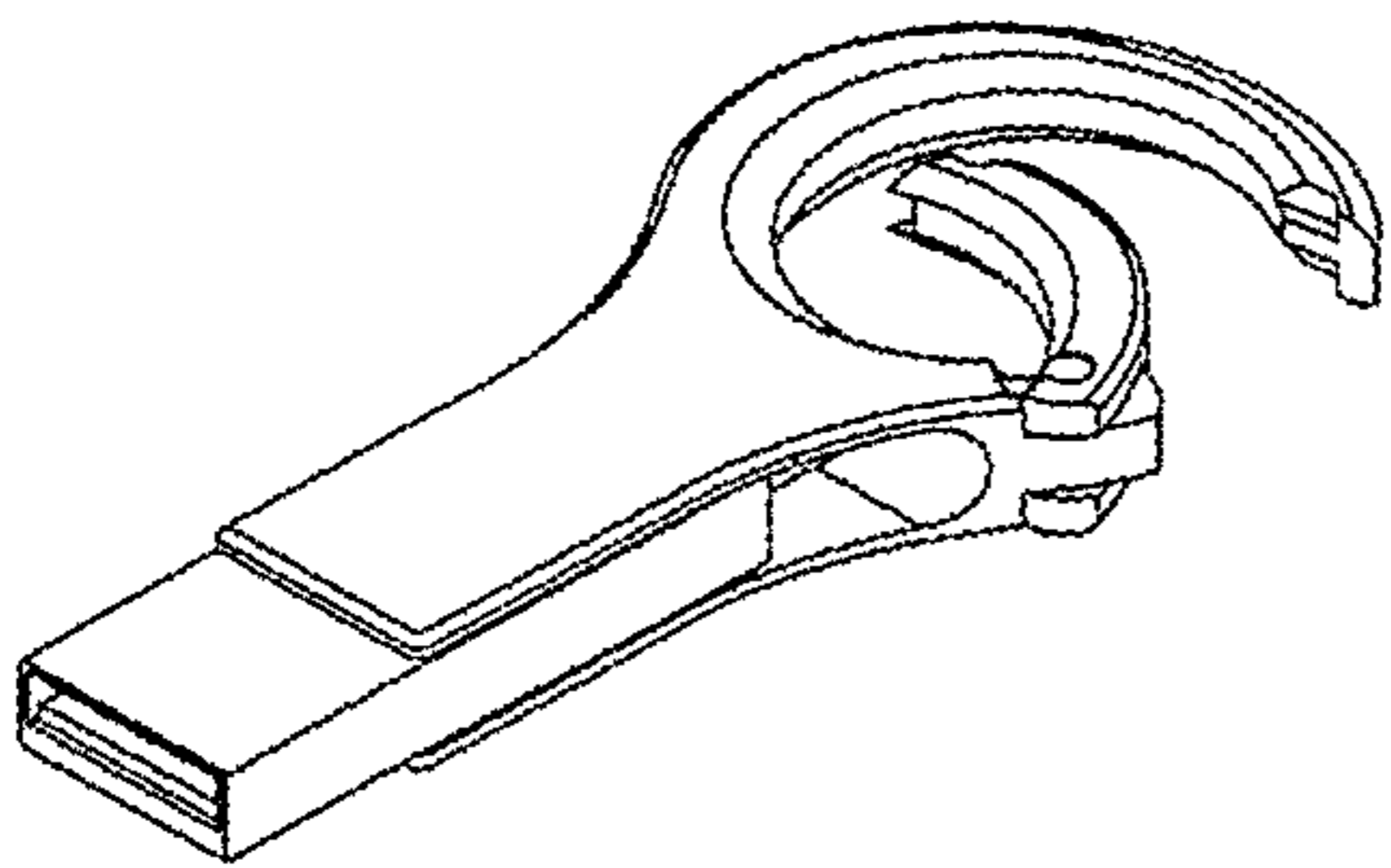


FIG.8

